



US00D984520S

(12) **United States Design Patent** (10) **Patent No.:** **US D984,520 S**
Yi (45) **Date of Patent:** **** Apr. 25, 2023**

(54) **GOGGLES**

(71) Applicant: **Shenzhen Leshuo Technology Co., Ltd, Guangdong (CN)**

(72) Inventor: **Zhou Yi, Guangdong (CN)**

(73) Assignee: **Shenzhen Leshuo Technology Co., Ltd, Guangdong (CN)**

(**) Term: **15 Years**

(21) Appl. No.: **29/882,778**

(22) Filed: **Jan. 18, 2023**

(51) **LOC (14) Cl.** **16-06**

(52) **U.S. Cl.**
USPC **D16/312; D16/313**

(58) **Field of Classification Search**
USPC D16/100–101, 130, 134, 200, 202, 204, D16/208–209, 216–220, 230, 237, 242, D16/245, 248, 250, 300, 301, 304, D16/312–315, 334; D30/144
CPC A45C 11/04; A45F 5/021; A45F 5/022; A61F 11/12; A61F 9/02; A61F 9/025; A61F 9/027; A61F 9/028; A61F 9/029; G02C 1/02; G02C 1/026; G02C 1/06; G02C 3/003; G02C 3/04; G02C 5/001; G02C 5/14; G02C 5/16; G02C 5/18; G02C 5/20; G02C 5/2209; G02C 5/2263; G02C 5/2272; G02C 5/229
See application file for complete search history.

(56) **References Cited**

U.S. PATENT DOCUMENTS

D375,320 S * 11/1996 Canavan D16/312
6,138,286 A * 10/2000 Robrahn G02C 7/104
351/44

D457,550 S * 5/2002 Wilson D16/312
D503,422 S * 3/2005 Canavan D16/101
D549,265 S * 8/2007 Saderholm D16/312
D649,178 S 11/2011 Moritz et al.
D649,577 S 11/2011 Goodman et al.
D687,479 S * 8/2013 Moritz D16/312
D687,480 S * 8/2013 Castro D16/312
D748,717 S * 2/2016 Yang D16/312
D865,042 S * 10/2019 Wilkins D16/314
D868,878 S 12/2019 Langenwalter et al.
D869,102 S 12/2019 Yi
D892,913 S 8/2020 Lindauer et al.
D895,717 S * 9/2020 Liang D16/313
D898,093 S * 10/2020 Wilson D16/101
D901,582 S 11/2020 Zhang
D972,229 S 12/2022 Yi
D972,789 S * 12/2022 Yi D16/312
2015/0320600 A1 * 11/2015 Blanchard A61F 9/025
2/431

* cited by examiner

Primary Examiner — Mary Shannon Malley
Assistant Examiner — Christopher John Suarez La Rosa
(74) *Attorney, Agent, or Firm* — ScienBiziP, P.C.

(57) **CLAIM**

The ornamental design for a pair of goggles, as shown and described.

DESCRIPTION

FIG. 1 is a front, right and top perspective view of a pair of goggles, showing my design.
FIG. 2 is a rear, left and bottom perspective view thereof.
FIG. 3 is a front elevation view thereof.
FIG. 4 is a rear elevation view thereof.
FIG. 5 is a left side elevation view thereof.
FIG. 6 is a right side elevation view thereof.
FIG. 7 is a top plan view thereof; and,
FIG. 8 is a bottom plan view thereof.

1 Claim, 8 Drawing Sheets



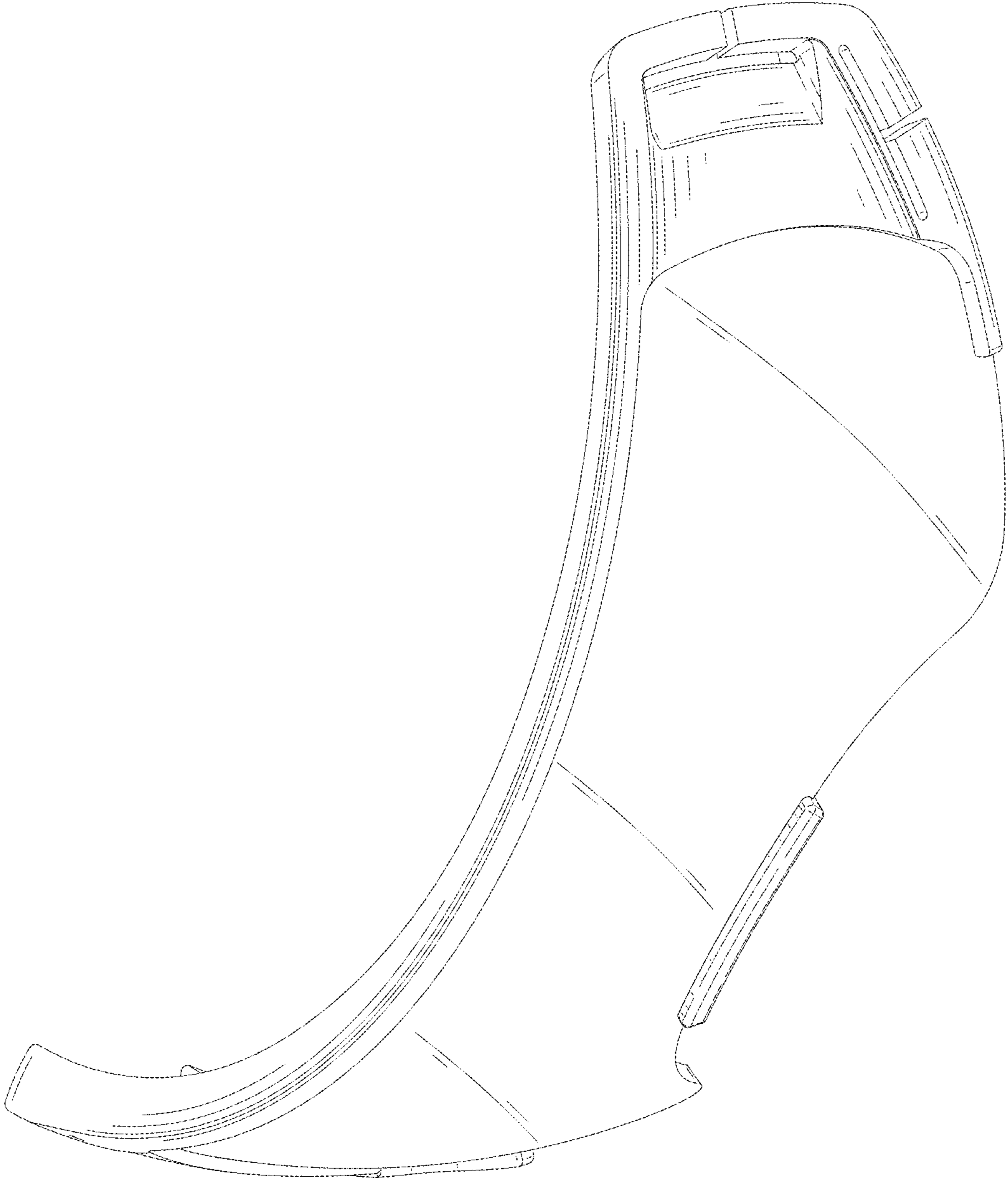


FIG. 1

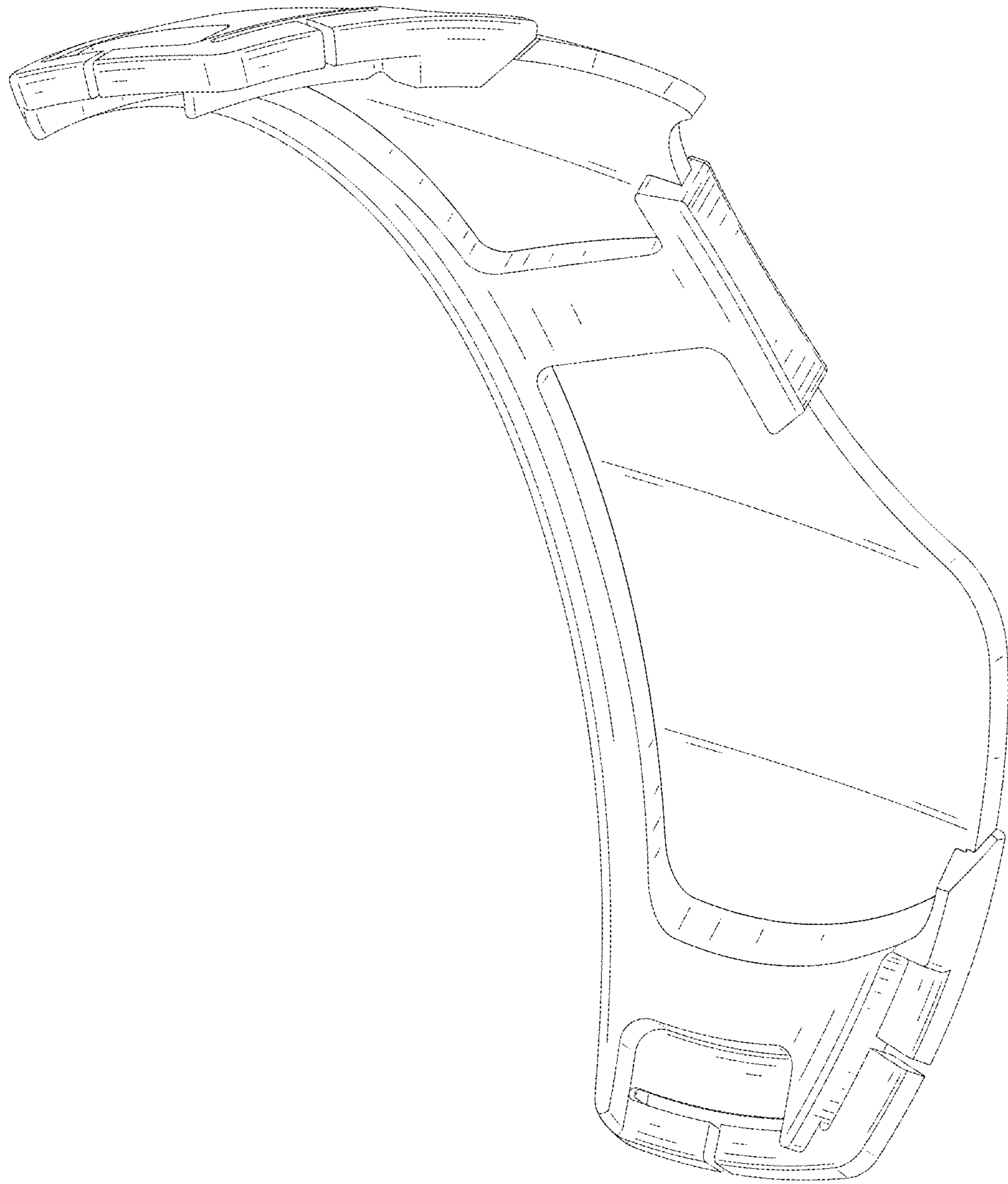


FIG. 2

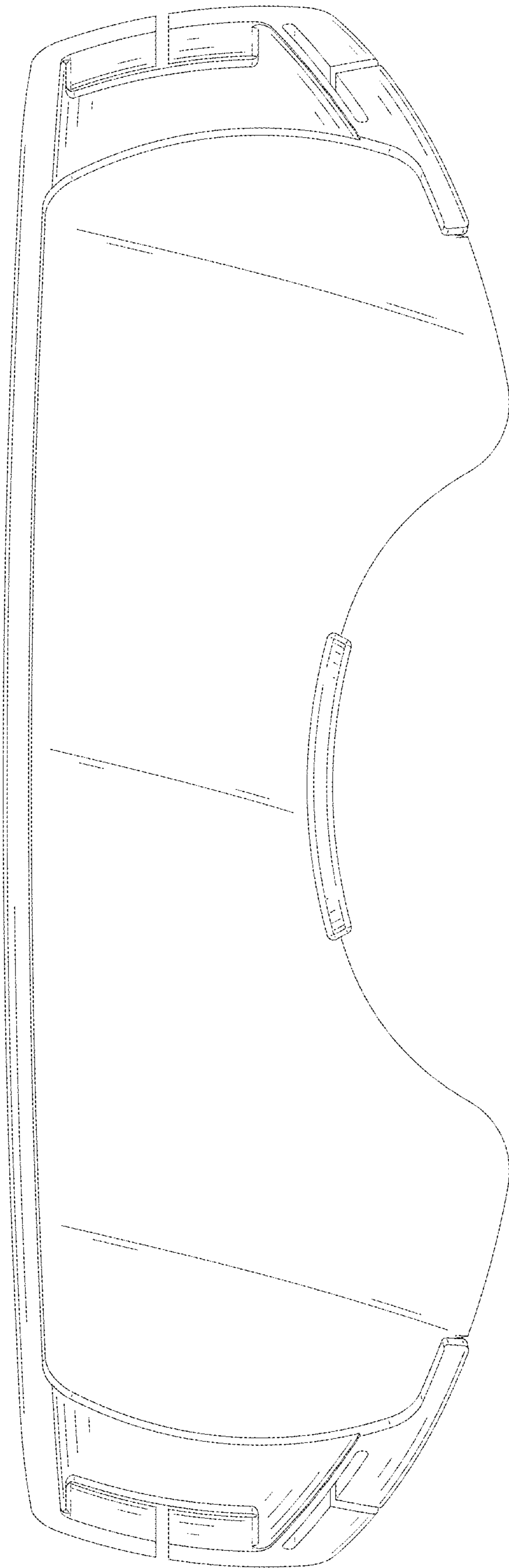


FIG. 3

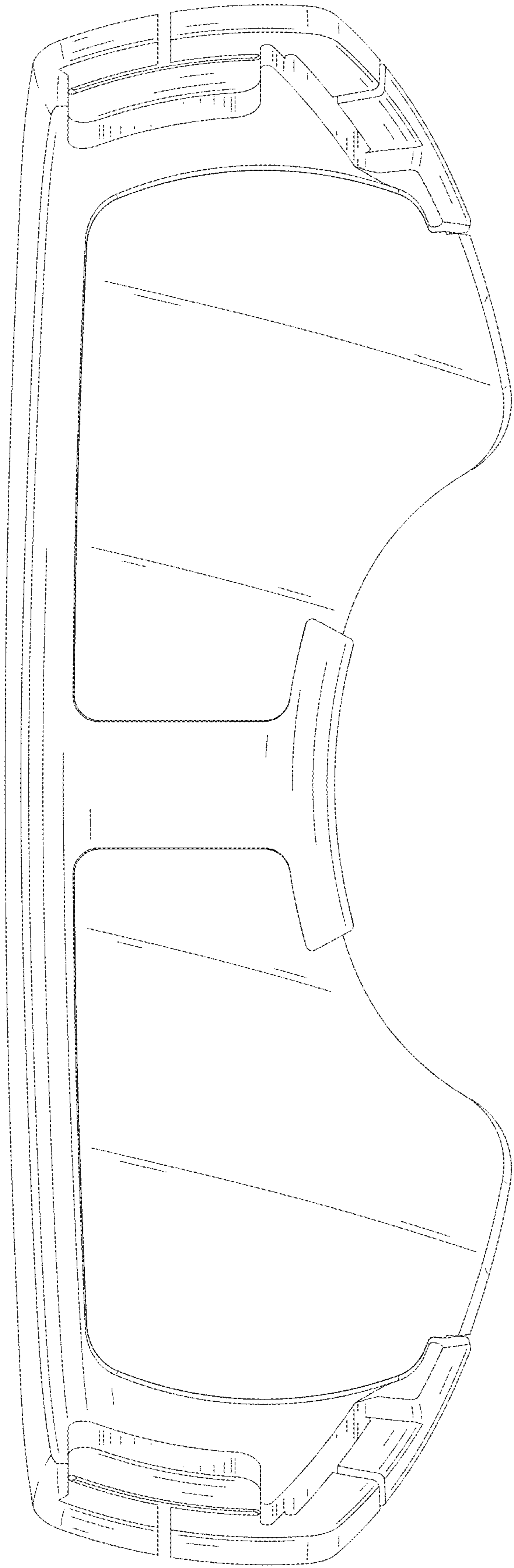


FIG. 4

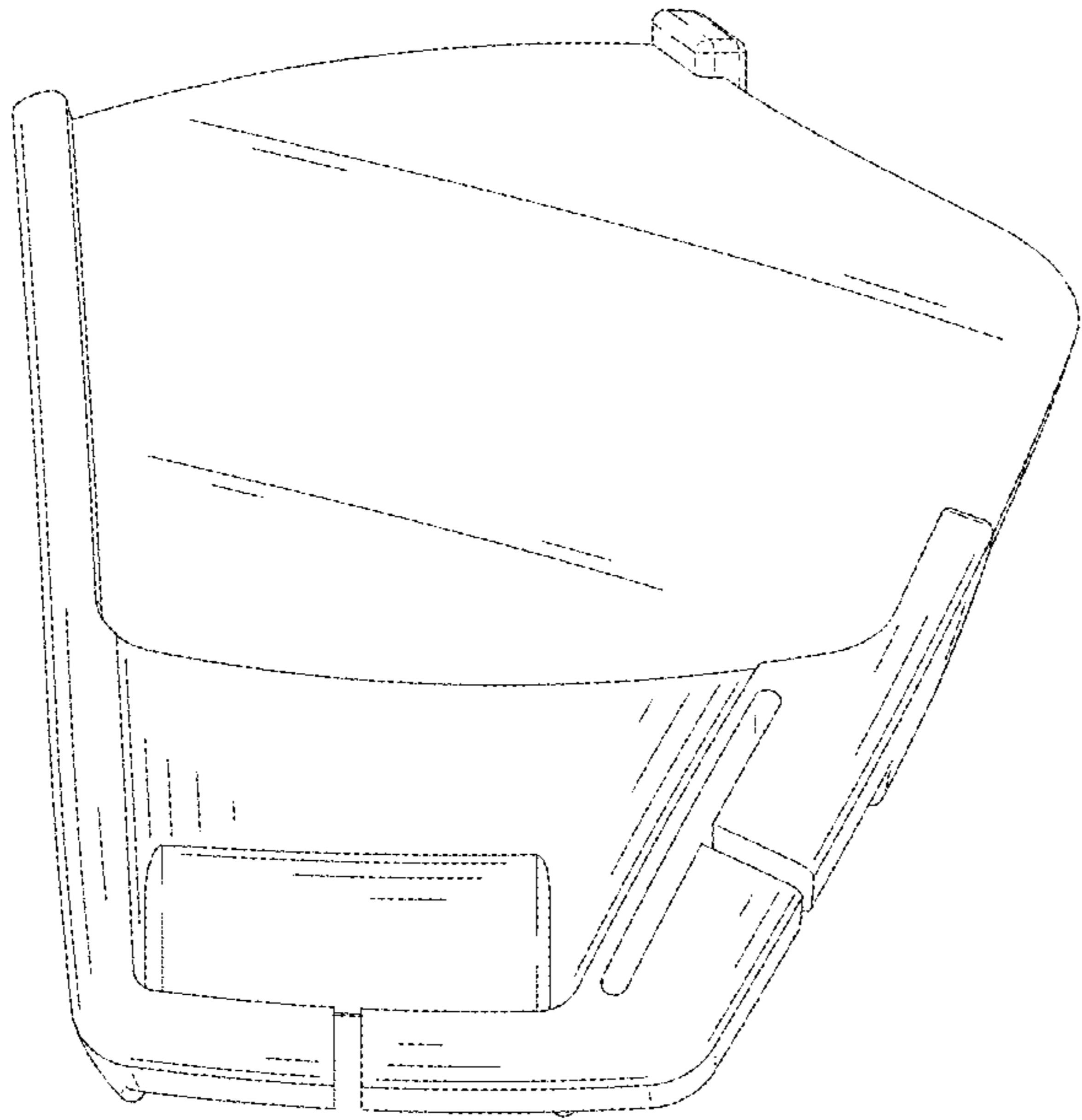


FIG. 5

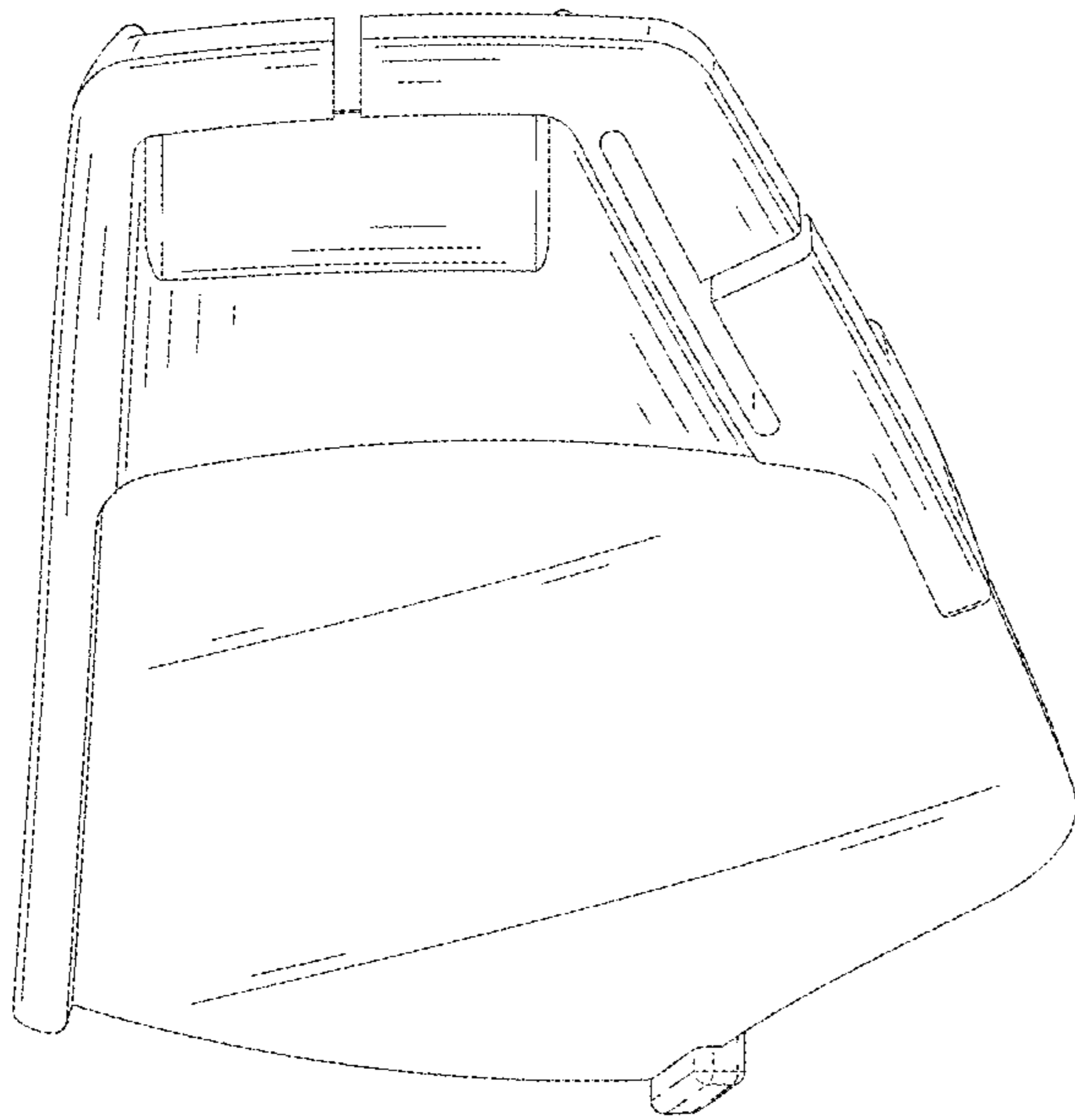


FIG. 6

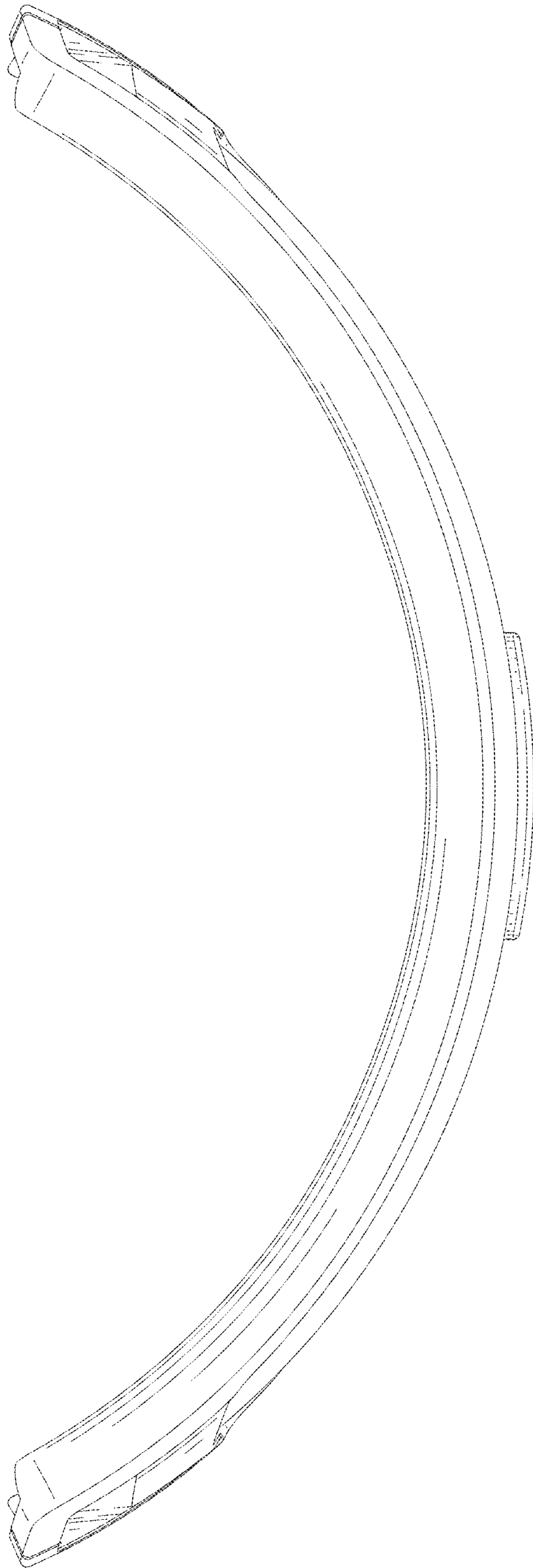


FIG. 7

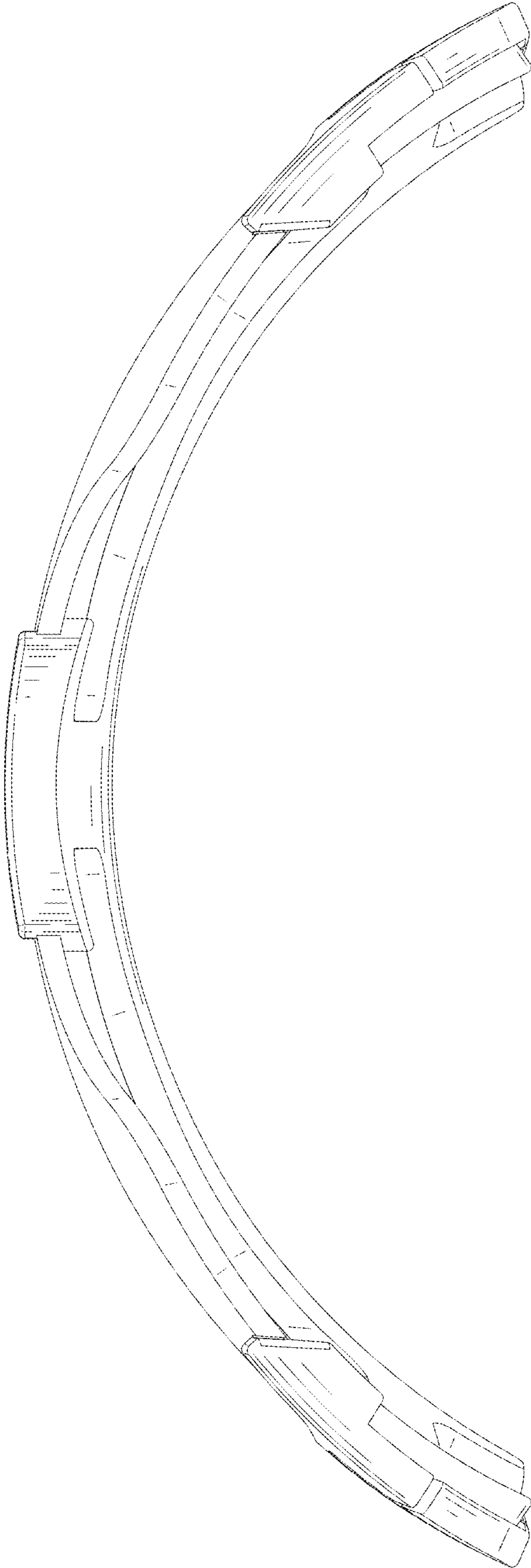


FIG. 8