



US00D984519S

(12) **United States Design Patent**  
**Chu**

(10) **Patent No.:** **US D984,519 S**

(45) **Date of Patent:** **\*\* Apr. 25, 2023**

(54) **CLAMP BASE FOR MONITOR ARM**

(71) Applicant: **Eastern Global Corporation**, New Taipei (TW)

(72) Inventor: **Leo Chu**, New Taipei (TW)

(73) Assignee: **Eastern Global Corporation**, New Taipei (TW)

(\*\*) Term: **15 Years**

(21) Appl. No.: **29/738,422**

(22) Filed: **Jun. 17, 2020**

(51) **LOC (14) Cl.** ..... **16-05**

(52) **U.S. Cl.**  
USPC ..... **D16/241**

(58) **Field of Classification Search**  
USPC ..... D16/136, 211, 214, 219, 235, 236, 237,  
D16/241, 242, 243, 245, 250, 334;  
D8/352, 353, 354, 381, 382, 387, 394;  
D14/217, 240, 432, 447, 451  
CPC .. G03B 17/561; G03B 17/563; G03B 17/566;  
G03B 17/565; F16M 11/041; F16M  
11/06; F16M 11/043; H04N 5/2254;  
G02B 7/00

See application file for complete search history.

(56) **References Cited**

**U.S. PATENT DOCUMENTS**

2,029,230	A *	1/1936	Getz	.....	F16M 11/08 248/187.1
2,670,228	A *	2/1954	Pagliuso	.....	F16M 11/14 285/267
3,782,671	A *	1/1974	Igwe	.....	F16M 11/18 396/419

(Continued)

**FOREIGN PATENT DOCUMENTS**

CN	305440142	*	11/2019
CN	305775688	*	5/2020

(Continued)

**OTHER PUBLICATIONS**

Rog Desk Mount Kit ACL01, product availability date unknown [online], no video/pictured review [online], [site visited May 25, 2022]: URL:<<https://rog.asus.com/monitors/accessories/rog-desk-mount-kit-acl01-model/>> (Year: 2022).\*

(Continued)

*Primary Examiner* — Bao-Yen T Nguyen

*Assistant Examiner* — Loryn K. LeBlanc

(74) *Attorney, Agent, or Firm* — Demian K. Jackson;  
Jackson IPG PLLC

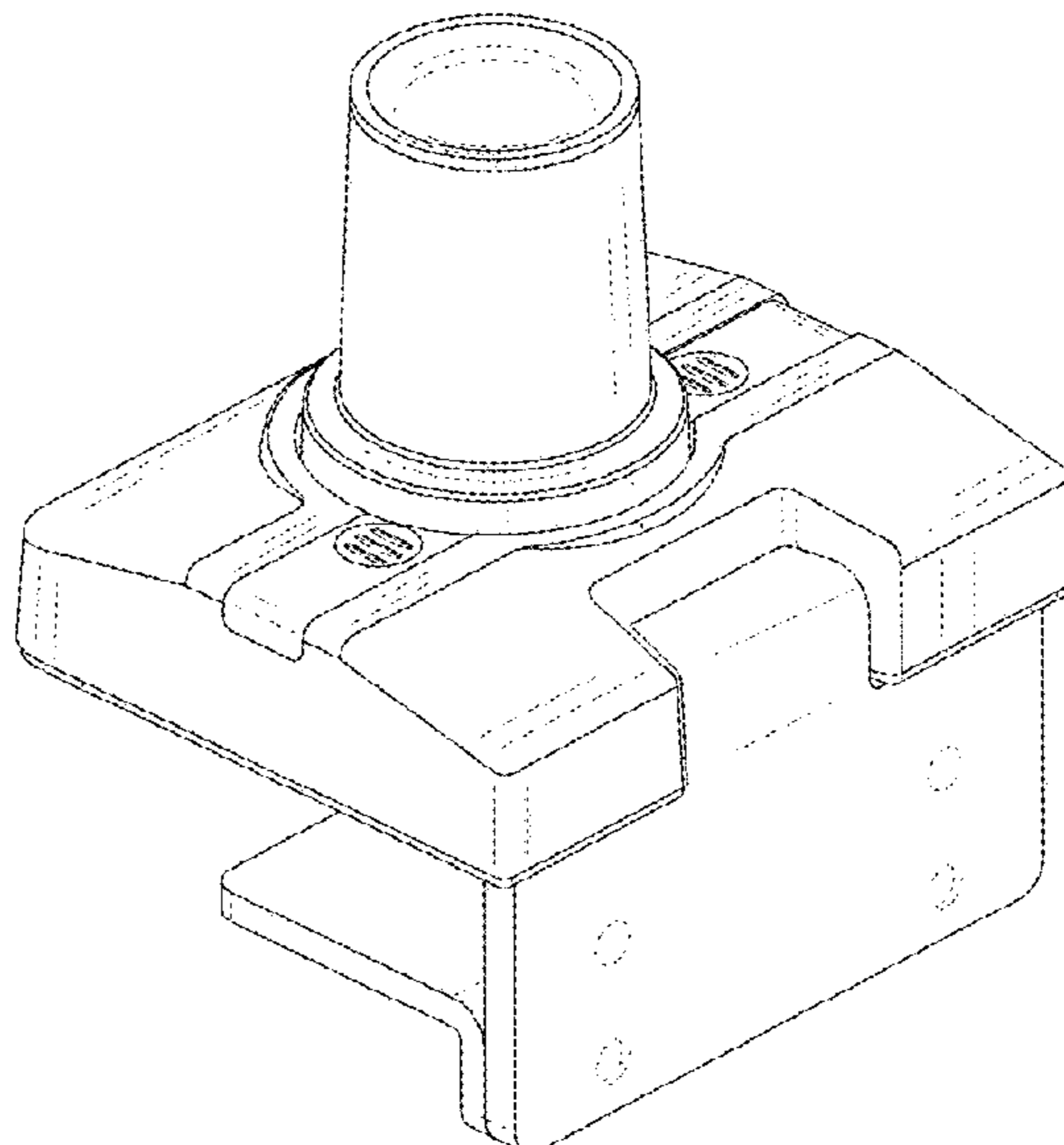
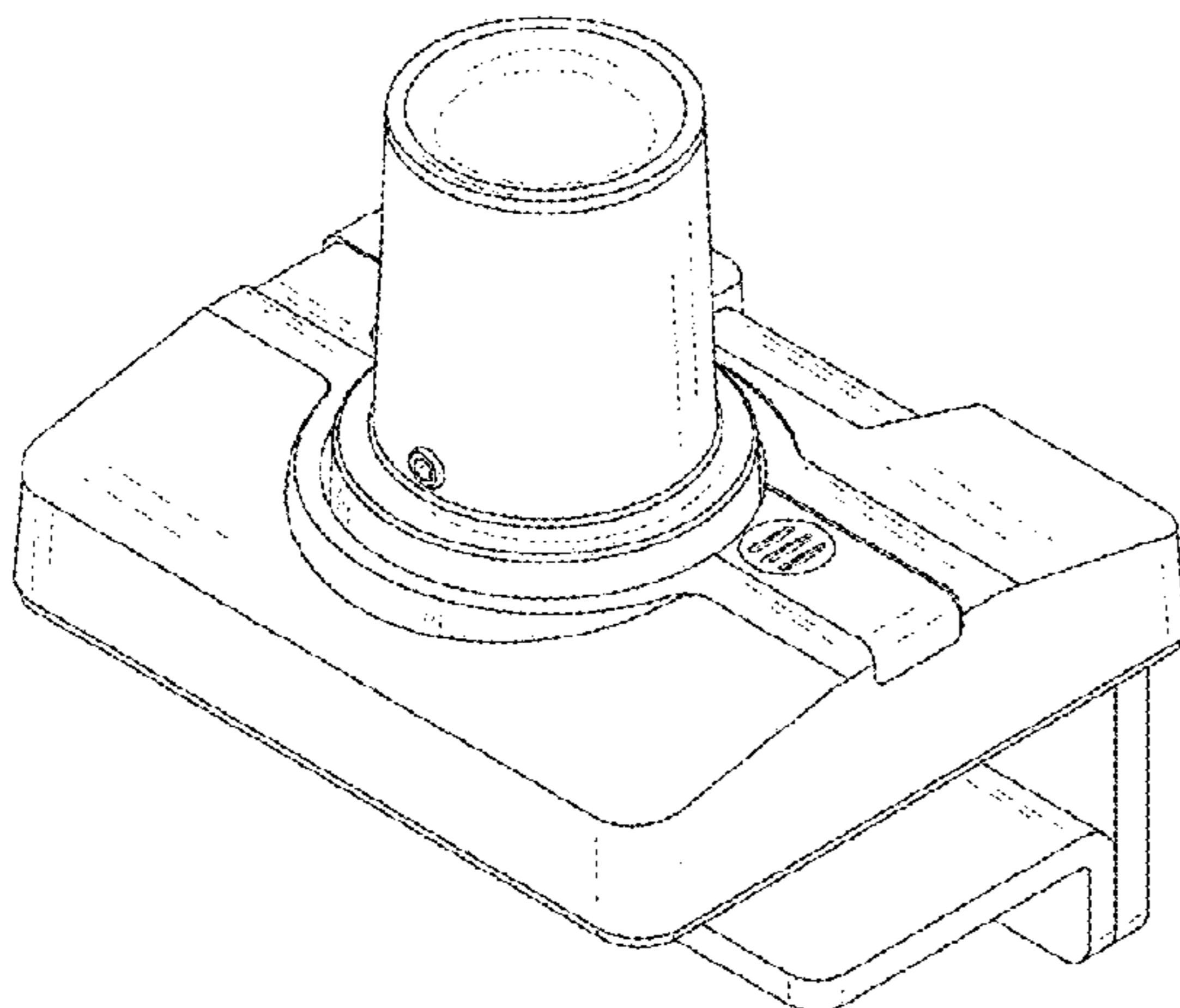
(57) **CLAIM**

The ornamental design for clamp base for monitor arm, as shown and described.

**DESCRIPTION**

FIG. 1 is a perspective view of a clamp base for monitor arm showing my new design;  
FIG. 2 is a front elevational view thereof;  
FIG. 3 is a rear elevational view thereof;  
FIG. 4 is a top plan view thereof;  
FIG. 5 is a bottom plan view thereof  
FIG. 6 is a left side elevational view thereof;  
FIG. 7 is a right side elevational view thereof;  
FIG. 8 is a perspective view from other side;  
FIG. 9 is another perspective view of the clamp base for monitor arm shown in state of use; and,  
FIG. 10 is an alternate perspective view of the clamp base for the monitor arm shown in a state of use thereof.  
The broken lines in the figures depict portions of the clamp base for monitor arm and form no part of the claimed design. The broken lines in FIG. 9 and FIG. 10 represent environment that forms no part of the claimed design.

**1 Claim, 10 Drawing Sheets**



(56)

References Cited

U.S. PATENT DOCUMENTS

5,172,534	A *	12/1992	Milner	.....	A63H 33/042	446/104
6,017,010	A *	1/2000	Cui	.....	F16M 11/2078	403/56
6,196,504	B1 *	3/2001	Lemke	.....	F16M 11/041	396/428
D532,001	S *	11/2006	Burke	.....	D14/240	
7,185,862	B1 *	3/2007	Yang	.....	F16M 11/041	396/428
D551,528	S *	9/2007	Vautour	.....	D8/72	
D596,635	S *	7/2009	Owens	.....	D14/358	
D721,267	S *	1/2015	Chun	.....	D8/387	
D748,183	S *	1/2016	Polito	.....	D16/242	
D767,664	S *	9/2016	Polito	.....	D16/242	
D768,471	S *	10/2016	Marquez	.....	D8/382	
D781,297	S *	3/2017	Liao	.....	D14/447	
D781,950	S *	3/2017	Weisz	.....	D16/242	
D786,984	S *	5/2017	Pouliot	.....	D21/492	
D845,378	S *	4/2019	Chuang	.....	D16/242	
D849,099	S *	5/2019	Patrick	.....	D16/208	
10,502,921	B1 *	12/2019	Wauchop	.....	A61B 5/6898	
D880,568	S *	4/2020	Gorsuch	.....	D8/382	
10,620,508	B2 *	4/2020	Patrick	.....	H04N 5/2254	
D884,704	S *	5/2020	Patrick	.....	D14/432	
D891,407	S *	7/2020	Folk	.....	D14/240	
2008/0283697	A1 *	11/2008	Darrow	.....	F16M 11/40	396/428
2010/0288896	A1 *	11/2010	Church	.....	F16M 11/2092	248/226.11
2013/0107109	A1 *	5/2013	Yang	.....	G02B 7/02	359/827
2015/0042877	A1 *	2/2015	O'Neill	.....	G02B 7/14	348/376
2016/0216597	A1 *	7/2016	Lim	.....	G03B 17/566	
2019/0353990	A1 *	11/2019	Patrick	.....	G03B 17/56	
2020/0362895	A1 *	11/2020	Lin	.....	F16B 9/02	
2021/0294186	A1 *	9/2021	Zou	.....	F16M 11/14	

FOREIGN PATENT DOCUMENTS

CN	306374674	*	3/2021
CONC2018/0007653-0001		*	9/2018
CZ	18398-0001	*	5/1987
DE	M9105867-0001	*	3/1992
EM	000130737-0002	*	5/2004
EM	000130737-0003	*	5/2004
EM	008467781-0001	*	3/2021
GB	2038253	*	8/1994
GB	3014482	*	10/2003
GB	6035314	*	5/2018
GB	6092874	*	6/2020
GB	6119192	*	2/2021
GB	6151101	*	7/2021
GB	6151102	*	7/2021
JP	D1120413	*	9/2001
JP	D1384581	*	4/2010
JP	D1656316	*	3/2020

OTHER PUBLICATIONS

Mount-It! Premium Single Monitor Arm Desk Mount, product available Jun. 27, 2017 [online], pictured review Feb. 11, 2020

[online], [site visited May 25, 2022]:URL:<[https://www.amazon.com/gp/product/B07QYCW5Q8/ref=ox\\_sc\\_act\\_title\\_1?smid=A1Q5TXAPOS7WLS&psc=1](https://www.amazon.com/gp/product/B07QYCW5Q8/ref=ox_sc_act_title_1?smid=A1Q5TXAPOS7WLS&psc=1)> (Year: 2017).\*

Mountup Single Monitor Desk Mount, product available Oct. 17, 2019 [online], pictured review Jul. 2, 2020 [online], [site visited May 25, 2022]:URL:<<https://www.amazon.com/MOUNTUP-Single-Monitor-Desk-Mount/dp/B07Z7ZGHD5?th=1>> (Year: 2019).\*

Mountup Single Monitor Desk Mount, Adjustable Gas Spring Monitor Stand, product available Jul. 9, 2021 [online], no video/pictured review [online], [site visited May 25, 2022]:URL:<[https://www.amazon.com/MOUNTUP-Adjustable-Computer-Mounting-4-4-17-6lbs/dp/B08XZ2183D/ref=cm\\_cr\\_ar\\_p\\_d\\_product\\_top?ie=UTF8&th=1](https://www.amazon.com/MOUNTUP-Adjustable-Computer-Mounting-4-4-17-6lbs/dp/B08XZ2183D/ref=cm_cr_ar_p_d_product_top?ie=UTF8&th=1)> (Year: 2021).\*

Mount-It! Single Monitor Arm Mount | Desk Stand, product available Jun. 27, 2017 [online], pictured review May 28, 2020 [online], [site visited May 25, 2022]:URL:<[https://www.amazon.com/gp/product/B074PZGXTX/ref=ox\\_sc\\_act\\_title\\_1?smid=A1Q5TXAPOS7WLS&psc=1](https://www.amazon.com/gp/product/B074PZGXTX/ref=ox_sc_act_title_1?smid=A1Q5TXAPOS7WLS&psc=1)> (Year: 2017).\*

Crimson AV DSAC Clamp Base Assembly, product available Jun. 27, 2017 [online], pictured review May 28, 2020 [online], [site visited May 25, 2022]:URL:<<https://www.touchboards.com/crimson-av-dsac/>> (Year: 2017).\*

Huanuo Dual Monitor Stand, product available Sep. 8, 2019 [online], pictured review Dec. 12, 2019 [online], [site visited May 25, 2022]:URL:<[https://www.amazon.com/gp/product/B07T5SY43L/ref=ox\\_sc\\_act\\_title\\_1?smid=AAO6TDKV4R7PK&psc=1](https://www.amazon.com/gp/product/B07T5SY43L/ref=ox_sc_act_title_1?smid=AAO6TDKV4R7PK&psc=1)> (Year: 2019).\*

AVLT Single 13"-43" Monitor Arm Desk Mount, product available Nov. 11, 2019 [online], pictured review Sep. 29, 2020 [online], [site visited May 25, 2022]:URL:<[https://www.amazon.com/gp/product/B0819BLM2Z/ref=sw\\_img\\_1?smid=A29QBPMFIUZIML&th=1](https://www.amazon.com/gp/product/B0819BLM2Z/ref=sw_img_1?smid=A29QBPMFIUZIML&th=1)> (Year: 2019).\*

Ergotron—LX Single Monitor Arm, product available May 15, 2019 [online], pictured review Jul. 22, 2020 [online], [site visited May 25, 2022]:URL:<[https://www.amazon.com/gp/product/B07Q8TJ2KL/ref=sw\\_img\\_1?smid=A2CJEN0Z794UK2&psc=1](https://www.amazon.com/gp/product/B07Q8TJ2KL/ref=sw_img_1?smid=A2CJEN0Z794UK2&psc=1)> (Year: 2019).\*

Huanuo Single Monitor Mount, product available Jul. 26, 2019 [online], pictured review Oct. 20, 2019 [online], [site visited May 25, 2022]:URL:<[https://www.amazon.com/gp/product/B07T3KCQ94/ref=ox\\_sc\\_act\\_title\\_1?smid=AAO6TDKV4R7PK&psc=1](https://www.amazon.com/gp/product/B07T3KCQ94/ref=ox_sc_act_title_1?smid=AAO6TDKV4R7PK&psc=1)> (Year: 2019).\*

Joy worker Single Monitor Arm Desk Mount, product available Mar. 3, 2022 [online], no video/pictured review [online], [site visited May 25, 2022]:URL:<[https://www.amazon.com/gp/product/B09HT7BYY6/ref=sw\\_img\\_1?smid=A3OR3G6MJSF9SJ&psc=1](https://www.amazon.com/gp/product/B09HT7BYY6/ref=sw_img_1?smid=A3OR3G6MJSF9SJ&psc=1)> (Year: 2022).\*

Huanuo Dual Monitor Stand—Height Adjustable Gas Spring Double Arm Monitor Mount Desk Stand, product available May 28, 2020 [online], no video/pictured review [online], [site visited May 25, 2022]:URL:<[https://www.amazon.com/gp/product/B0855ZBPXD/ref=sw\\_img\\_1?smid=A3DOMI70TVBHQ&psc=1](https://www.amazon.com/gp/product/B0855ZBPXD/ref=sw_img_1?smid=A3DOMI70TVBHQ&psc=1)> (Year: 2020).\*

Single Screen Holder, product availability date unknown [online], no video/pictured review [online], [site visited May 25, 2022]:URL:<<https://www.easternglobal.com.tw/en/category/Single-Monitor-Arm/A0101.html>> (Year: 2022).\*

Dual Screen Holders, product availability date unknown [online], no video/pictured review [online], [site visited May 25, 2022]:URL:<<https://www.easternglobal.com.tw/en/category/Dual-Monitor-Arm/A0102.html>> (Year: 2022).\*

\* cited by examiner

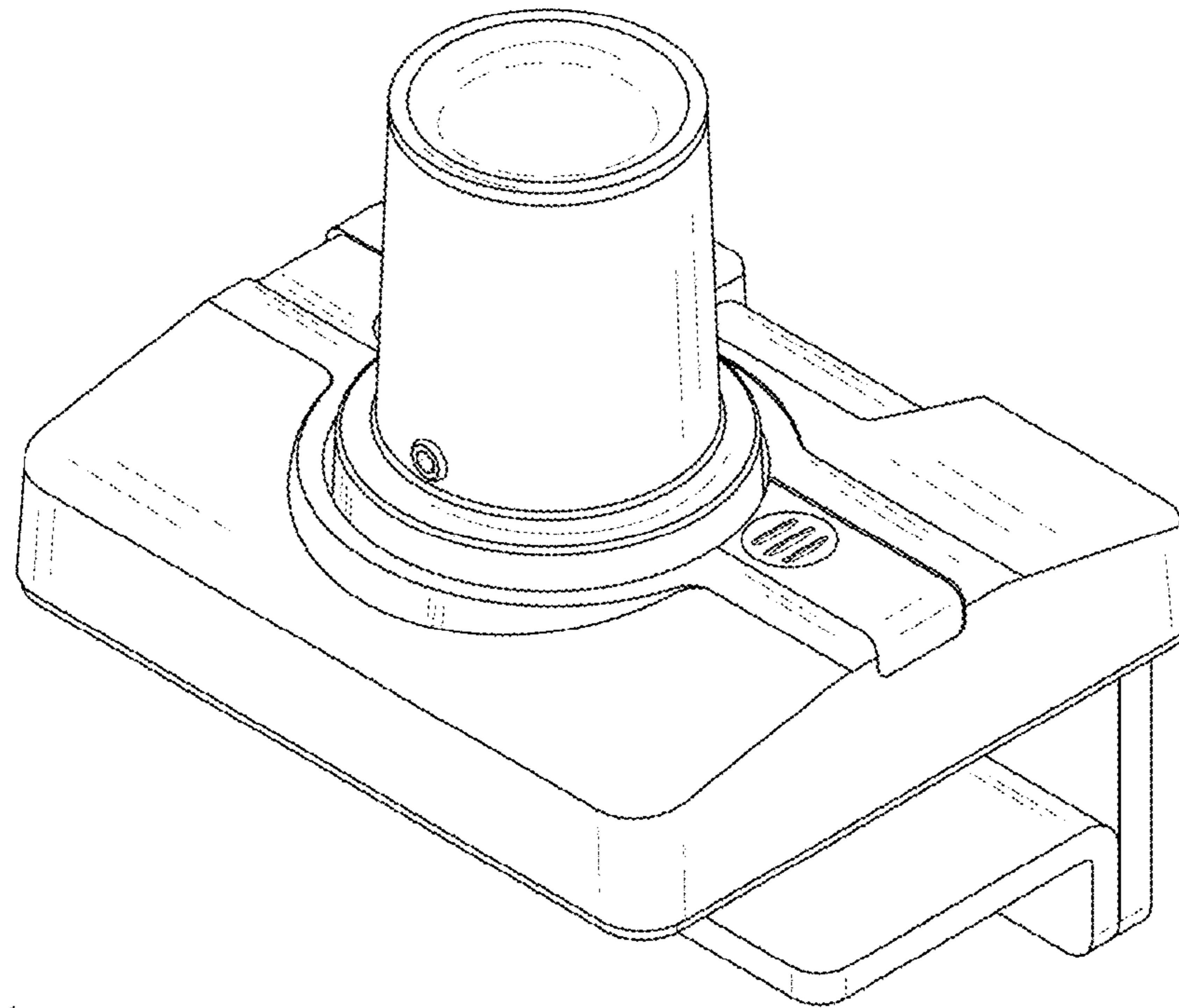


Fig. 1

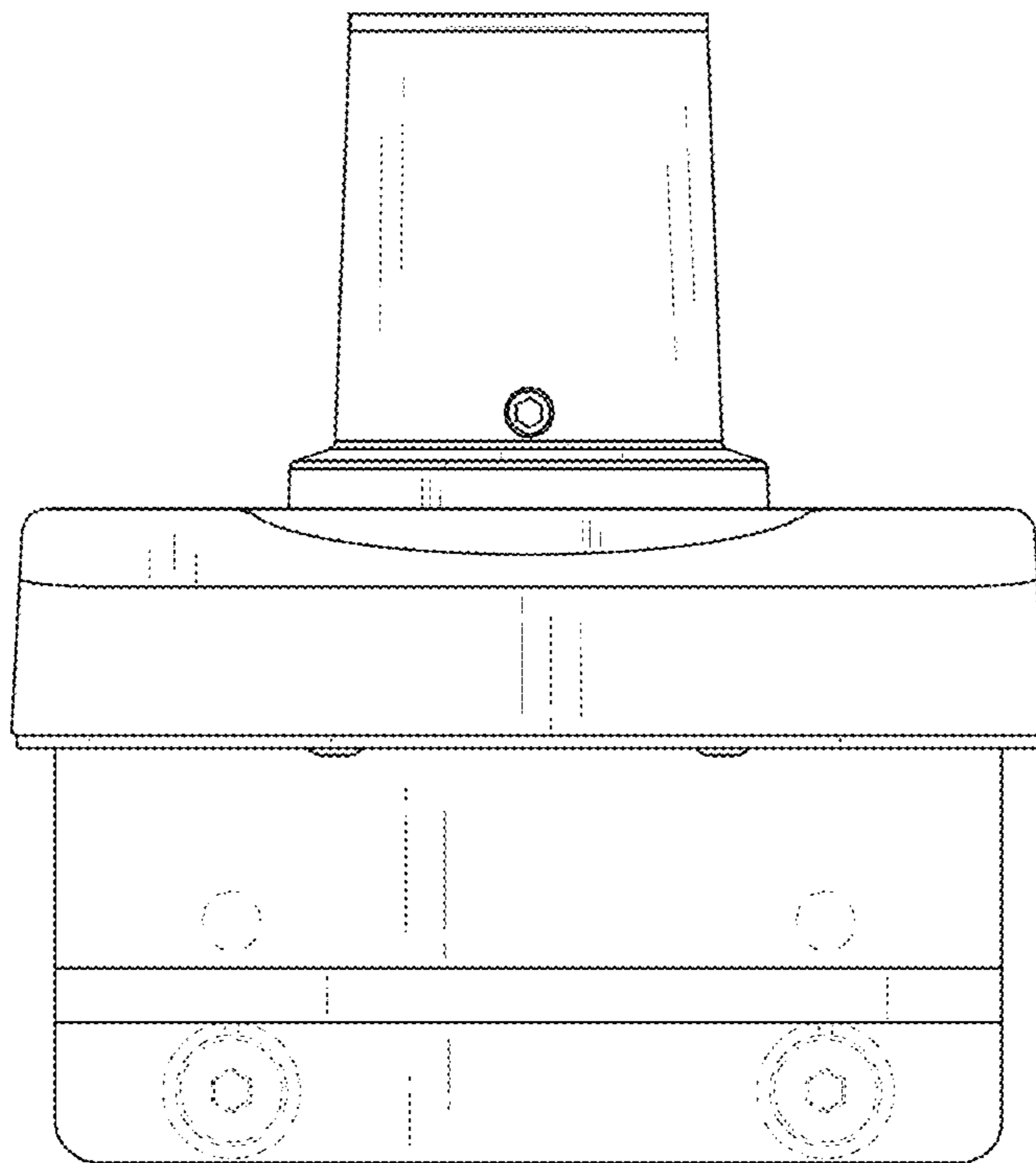


Fig. 2

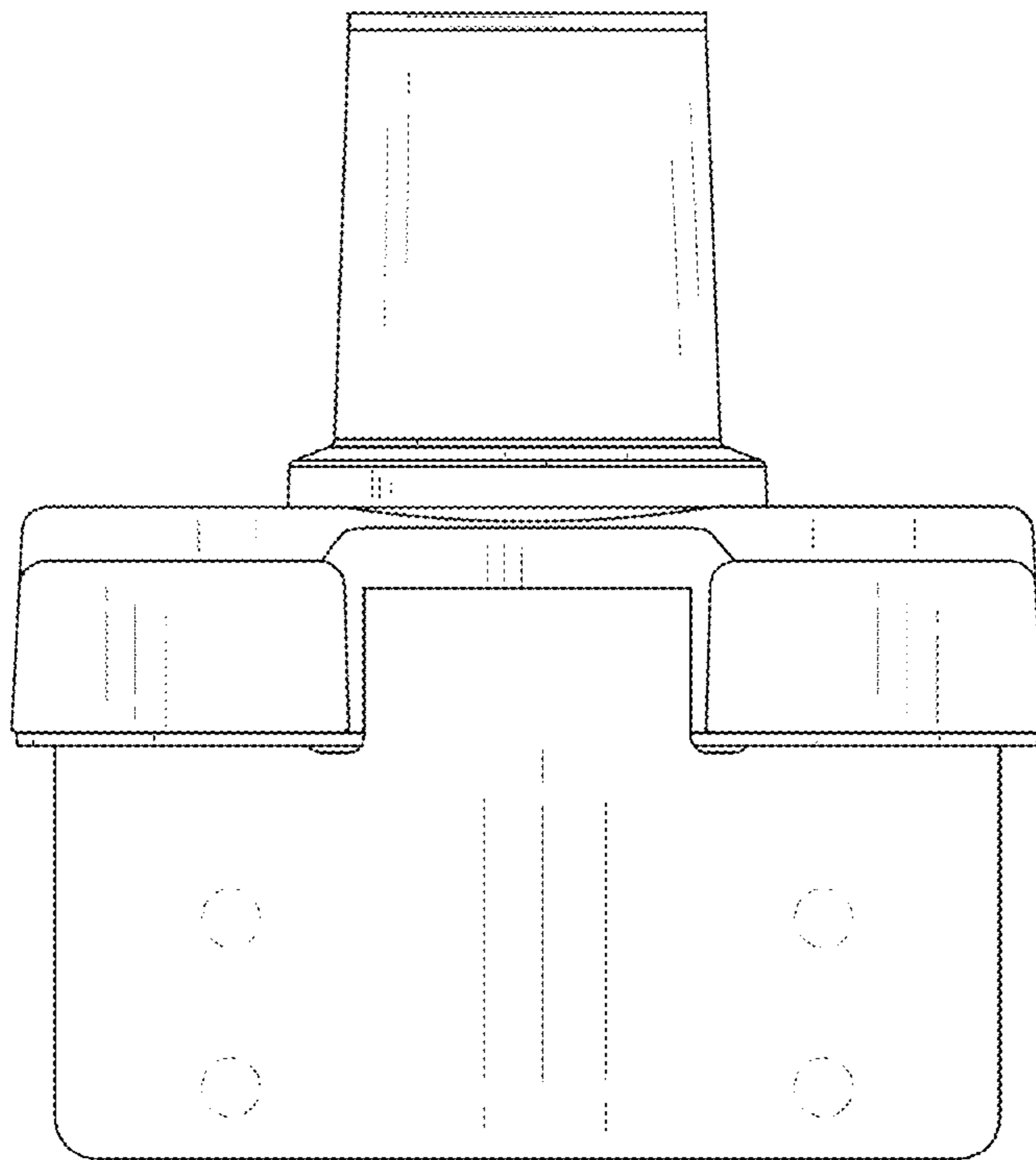


Fig. 3

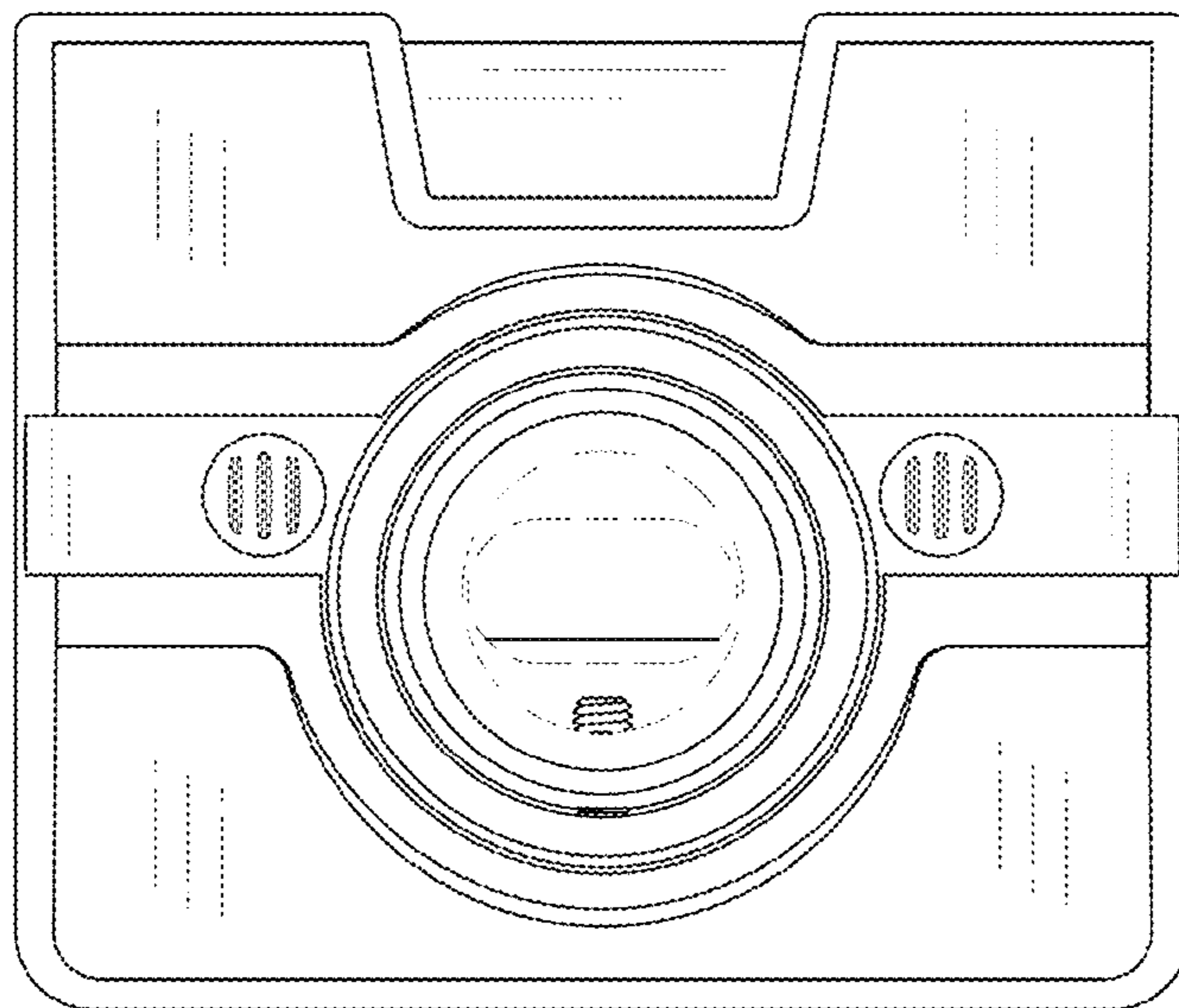


Fig. 4

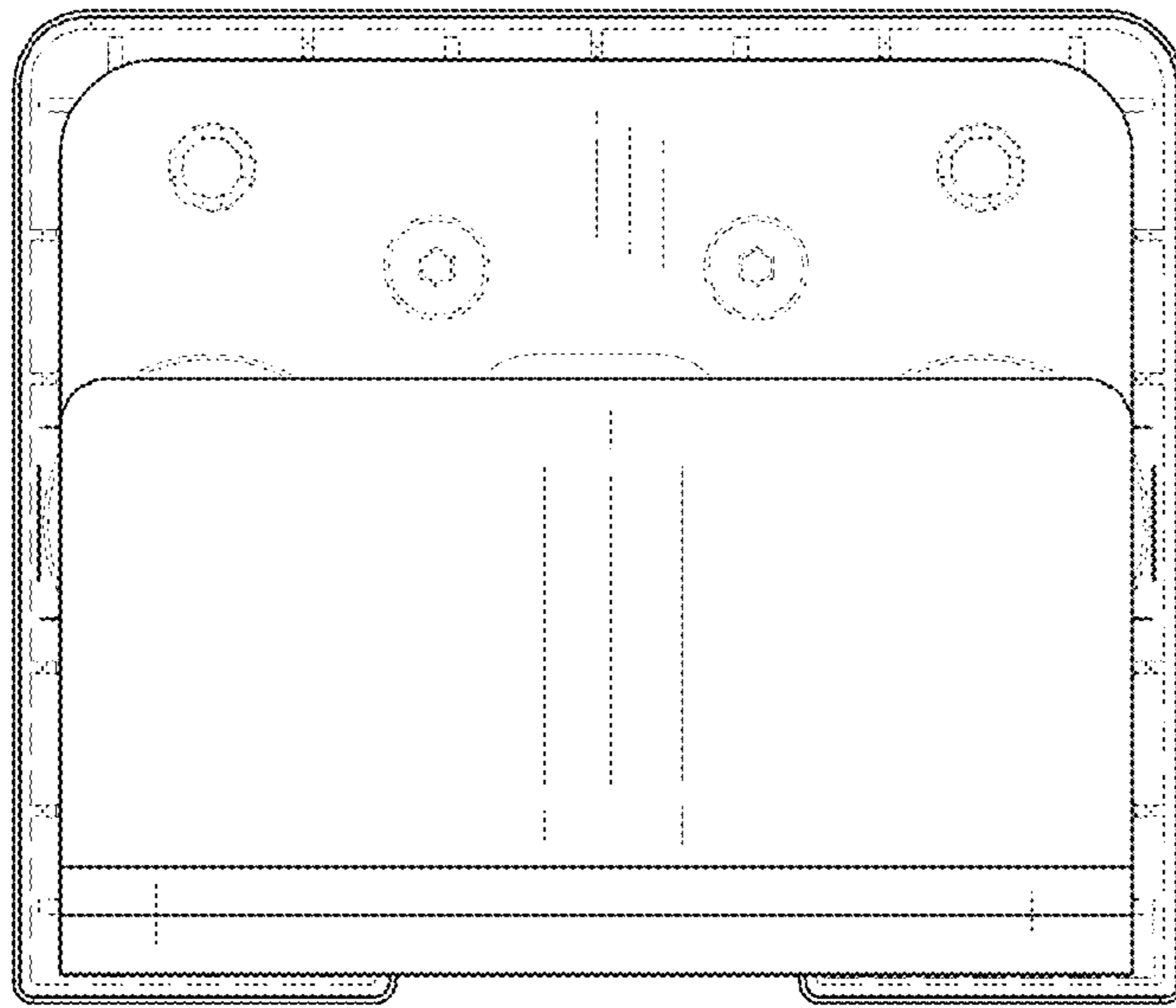


Fig. 5

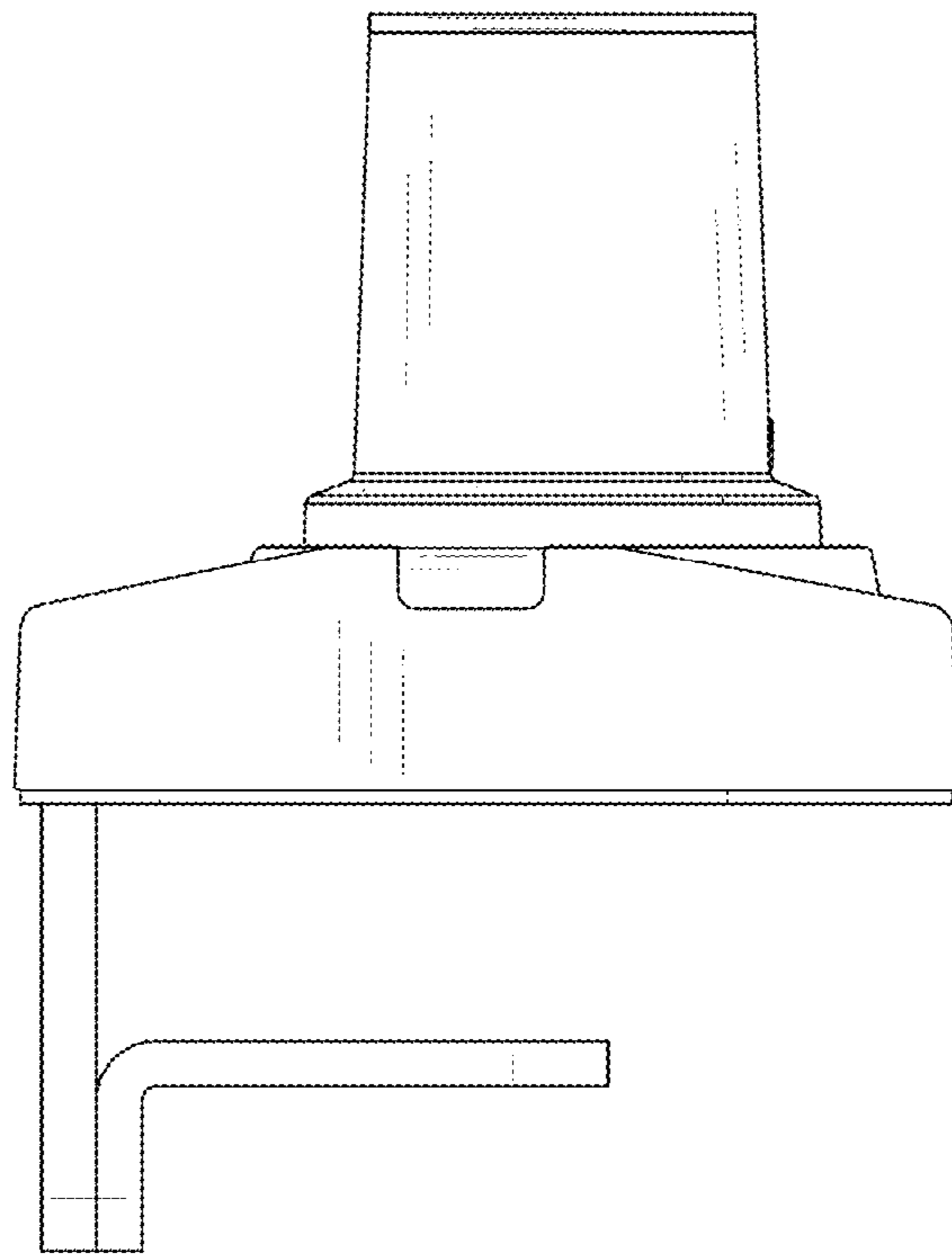


Fig. 6



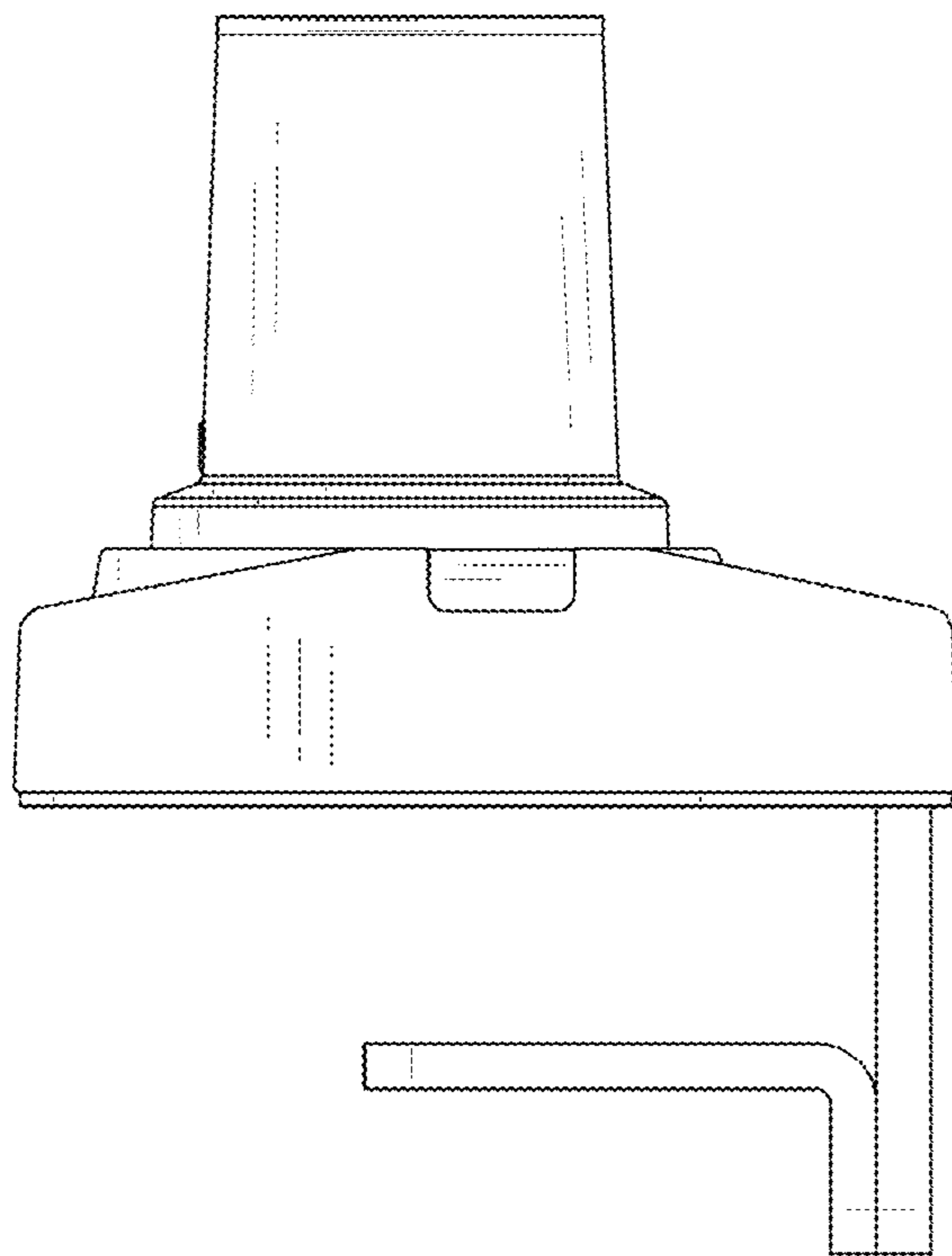


Fig. 7

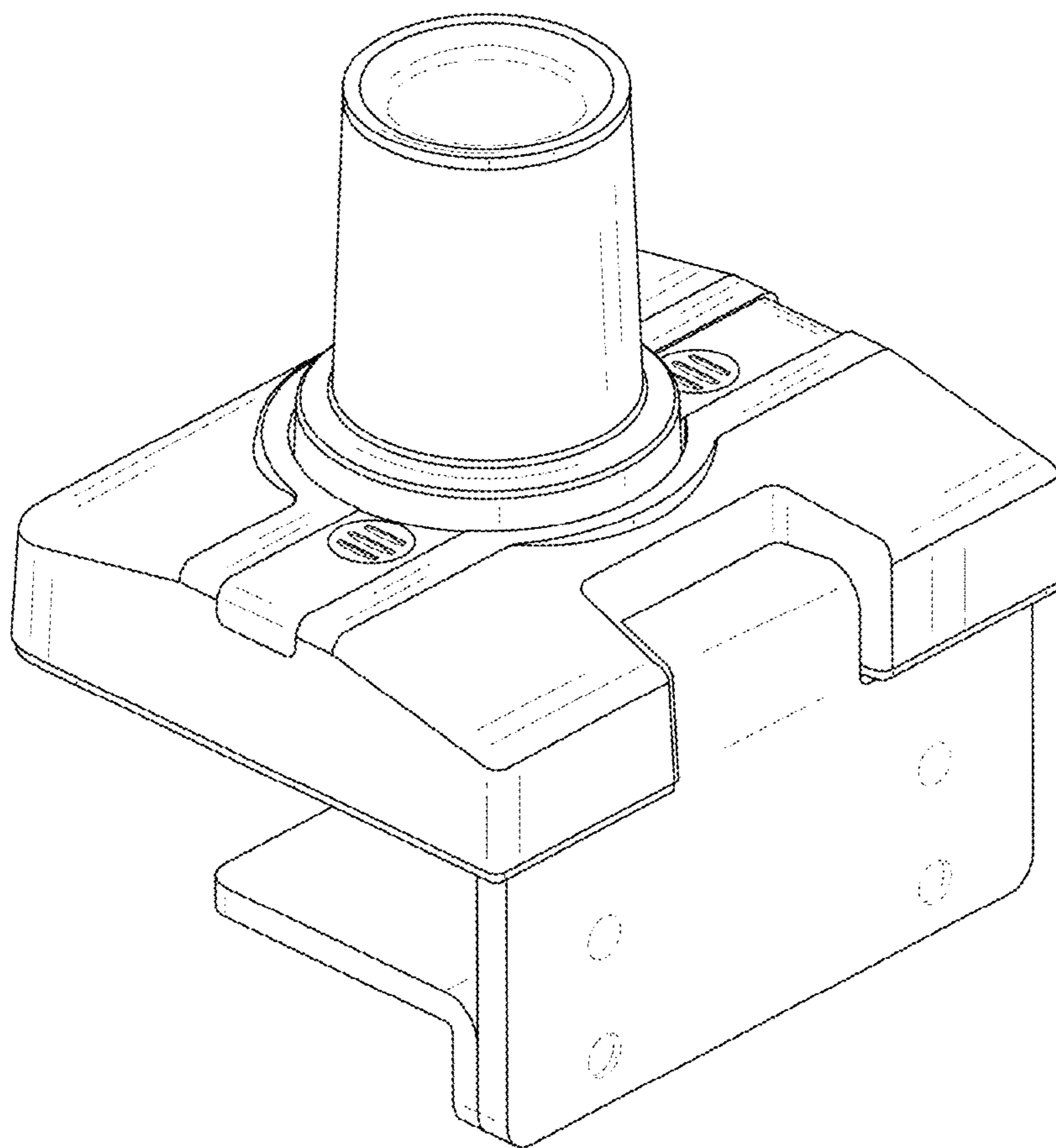


Fig. 8

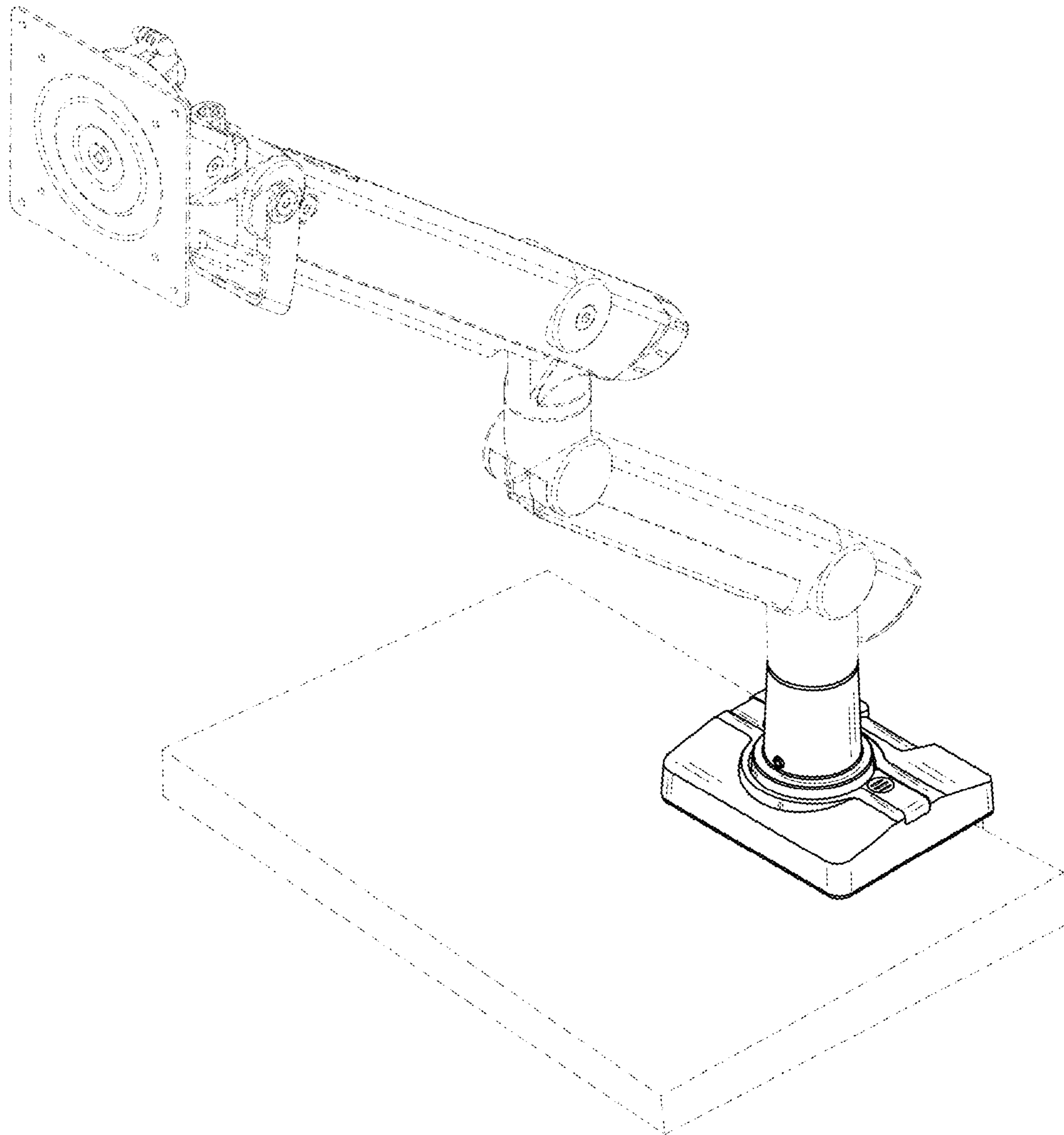


Fig. 9

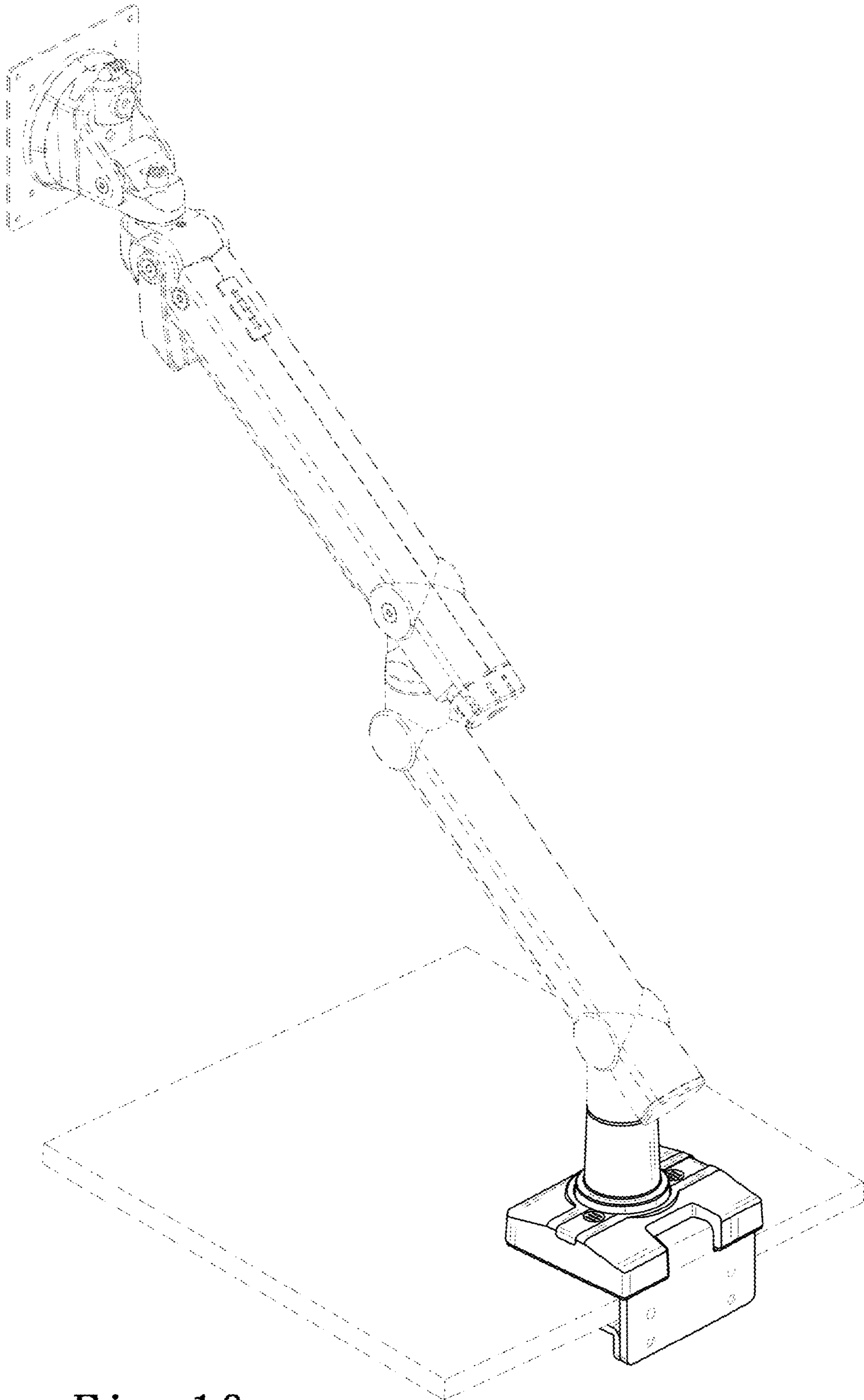


Fig. 10