



US00D984518S

(12) **United States Design Patent** (10) **Patent No.:** **US D984,518 S**
Möller et al. (45) **Date of Patent:** **** Apr. 25, 2023**

(54) **HEADLIGHT**

(71) Applicant: **ARNOLD & RICHTER CINE
TECHNIK GMBH & CO.
BETRIEBS KG, Munich (DE)**
(72) Inventors: **Andreas Möller, Munich (DE);
Johannes Huttner, Munich (DE);
Michael Jonischkeit, Munich (DE);
Alexander Freudenberg, Munich (DE)**
(73) Assignee: **ARNOLD & RICHTER CINE
TECHNIK GMBH & CO.
BETRIEBS KG, Munich (DE)**

(**) Term: **15 Years**
(21) Appl. No.: **29/864,002**
(22) Filed: **May 4, 2022**

Related U.S. Application Data

(62) Division of application No. 29/727,387, filed on Mar. 10, 2020.

(30) **Foreign Application Priority Data**

Sep. 10, 2019 (EM) 006852950

(51) **LOC (14) Cl.** **16-05**

(52) **U.S. Cl.**
USPC **D16/239; D16/245; D16/250**

(58) **Field of Classification Search**
USPC D6/308; D8/397-399; D16/209, 239,
D16/244, 245; D24/209, 210; D26/2, 3,
D26/4, 24, 26, 36, 37, 39, 61, 63, 72, 79,
D26/93, 94, 113, 120, 121, 122, 123, 124,
D26/118, 130, 131, 132, 133, 134, 137,
D26/148, 149, 152, 155, 244

(Continued)

(56) **References Cited**

U.S. PATENT DOCUMENTS

1,711,480 A * 4/1929 Halvorson, Jr. F21S 8/00
362/311.06
2,123,483 A * 7/1938 Wilfred D05B 79/00
362/306

(Continued)

FOREIGN PATENT DOCUMENTS

CN 304370015 * 11/2017
CN 305337609 * 1/2019

(Continued)

OTHER PUBLICATIONS

YouTube Search: "ARRI Lighting Keynote 2019", video date Sep. 10, 2019 [online], [site visited Jun. 16, 2022]: <URL:https://www.youtube.com/watch?v=5LFavR-FQ8s> (Year: 2019).*

(Continued)

Primary Examiner — Bao-Yen T Nguyen
Assistant Examiner — Loryn K. LeBlanc
(74) *Attorney, Agent, or Firm* — Maschoff Brennan

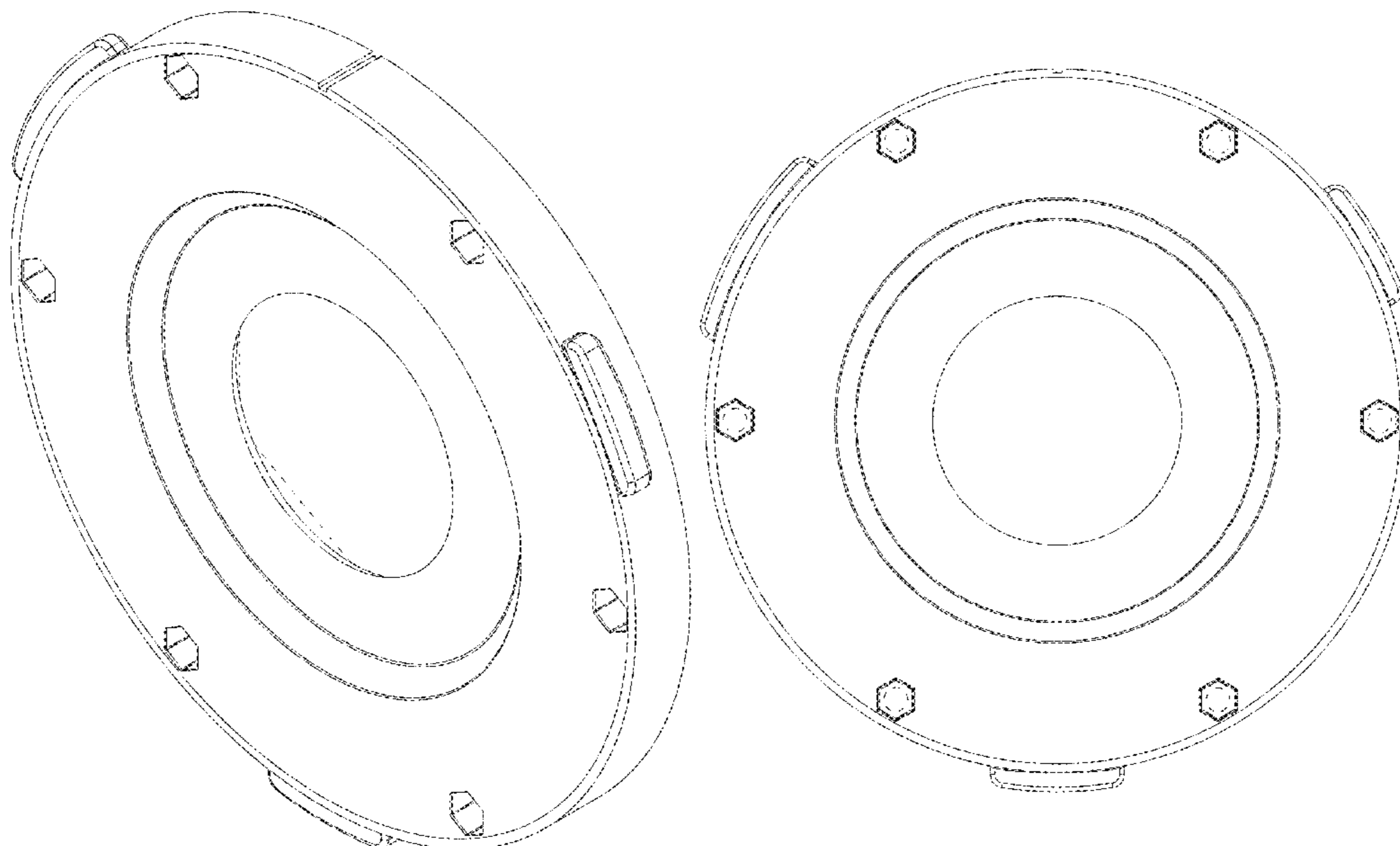
(57) **CLAIM**

We claim the ornamental design for a headlight, as shown and described.

DESCRIPTION

FIG. 1 is an upper front left-side perspective view of a headlight according to our new design;
FIG. 2 is a front view thereof;
FIG. 3 is a top view thereof;
FIG. 4 is a bottom view thereof; and,
FIG. 5 is a right-side view thereof; and the left-side view is a mirror image of FIG. 5.
The broken lines illustrate portions of the headlight that form no part of the claimed design.

1 Claim, 3 Drawing Sheets



(58) **Field of Classification Search**

CPC F16M 11/10; G08B 13/19619; F21L 2003/00; F21L 4/00; F21L 4/005; F21L 4/02; F21L 4/025; F21L 4/027; F21L 4/04; F21L 4/08; F21L 2005/00; F21L 7/00; F21L 11/00; F21L 13/00; F21L 13/04; F21L 13/08; F21L 14/02; F21L 17/00; F21L 19/00; F21L 25/00; G03B 17/02-04; G03B 17/14; G03B 17/56; G03B 21/20-2066; G03B 15/041-0436; G02B 7/02-04

See application file for complete search history.

D911,581 S 2/2021 Xiong
 10,930,821 B2 2/2021 Furuyama
 11,125,421 B2 9/2021 Cacciabeve
 D936,883 S * 11/2021 Vargas D26/56
 2007/0041722 A1 2/2007 Fong
 2008/0080190 A1 4/2008 Walczak
 2009/0225547 A1 9/2009 Moser
 2012/0070141 A1 * 3/2012 Scholz G03B 17/565
 396/342
 2021/0310636 A1 * 10/2021 Melzner F21V 9/08
 2021/0381680 A1 12/2021 Jiang
 2022/0178524 A1 * 6/2022 Bai F21V 21/0885

(56) **References Cited**

U.S. PATENT DOCUMENTS

2,272,907 A * 2/1942 Deibel F21L 15/06
 362/203
 2,504,866 A 4/1950 Morse
 D217,540 S * 5/1970 Weise D8/397
 3,535,504 A * 10/1970 Beal B64F 1/20
 362/268
 4,408,264 A * 10/1983 Decker F21S 8/00
 362/186
 D277,454 S * 2/1985 Meinhardt D13/154
 4,816,857 A 3/1989 Blaschek
 4,924,364 A 5/1990 Pannier
 5,125,779 A * 6/1992 Hallock F16B 15/04
 411/461
 D390,859 S * 2/1998 Nojima D16/217
 D412,005 S * 7/1999 Matsushita D16/209
 D426,335 S * 6/2000 Kulterer D26/63
 D441,779 S * 5/2001 Akabane D16/217
 D446,875 S * 8/2001 Leen D26/63
 D520,856 S * 5/2006 Osiecki D8/312
 7,874,747 B2 * 1/2011 Ueda G03B 17/14
 396/530
 D658,325 S 4/2012 Inskeep
 D696,452 S 12/2013 Gordin
 8,678,676 B2 3/2014 Scholz
 D702,279 S 4/2014 Zhan
 D707,868 S 6/2014 Lee
 D708,656 S 7/2014 Shapir
 D776,186 S 1/2017 Gammons
 D776,519 S 1/2017 Almaghlouth
 D788,341 S 5/2017 Inskeep
 D795,682 S * 8/2017 Downs D8/382
 D813,431 S * 3/2018 Cacciabeve D26/37
 D819,436 S 6/2018 Park
 D827,699 S * 9/2018 Dispenza H04N 5/2251
 D16/245
 10,114,276 B2 10/2018 Kobayashi
 D837,277 S 1/2019 Ikegame
 D844,424 S * 4/2019 MacDonald D8/399
 10,571,102 B1 2/2020 Yuyao
 10,571,778 B2 2/2020 Fujimura
 D886,179 S 6/2020 Möller
 10,809,604 B2 10/2020 Yoshikawa
 D905,261 S * 12/2020 Shenfarber A61N 5/0616
 D24/209

FOREIGN PATENT DOCUMENTS

CN 305060570 * 3/2019
 CN 306142044 * 9/2019
 CN 305735497 * 4/2020
 CN 306142044 * 10/2020
 CN 306142045 * 10/2020
 CN 306224249 * 12/2020
 CN 306551504 * 5/2021
 CN 306704942 * 7/2021
 CN 306965330 * 11/2021
 CN 307054916 * 1/2022
 JP D1449631 * 8/2012

OTHER PUBLICATIONS

Blackmagic URSA Mini Pro B4 Mount Adapter, product availability unknown [online], no video/pictured review [online], [site visited Jun. 16, 2022]: <URL:https://www.nefal.tv/en/blackmagic-ursa-mini-pro-b4-mount-adapter-9425> (Year: 2022).*

Adaptimax Nikon to 1/3" Bayonet Adapter, product availability unknown [online], no video/pictured review [online], [site visited Jun. 16, 2022]: URL: <https://www.bhphotovideo.com/c/product/687082-REG/Adaptimax_APANZ7_Nikon_Lens_w_External.html> (Year: 2022).*

Century Precision Optics, product availability unknown [online], no video/pictured review [online], [site visited Jun. 16, 2022]: URL: <https://www.bhphotovideo.com/c/product/657784-REG/Century_Precision_Optics_0LA_N13M_00_0LA_N13M_00_Nikon_to_1_3.html> (Year: 2022).*

FotodioX Pro Lens Mount Adapter, product availability unknown [online], no video/pictured review [online], [site visited Jun. 16, 2022]: URL: <https://www.bhphotovideo.com/c/product/1063489-REG/fotodioX_Im_snyf3_pro_pro_lens_mount_adapter.html> (Year: 2022).*

Bayonet Mount, Oct. 4, 2015, <URL:https://www.nefal.tv/en/blackmagic-ursa-mini-pro-b4-mount-adapter-9425>.

Blackmagic URSA Mini Pro B4 Mount Adapter, Dec. 20, 2021 <URL:https://www.nefal.tv/en/blackmagic-ursa-mini-pro-b4-mount-adapter-9425>.

Google Search: "Bayonet Mount" Dec. 20, 2021, <URL:https://www.google.com/search?q=bayonet+mount&tbm=isch&ictx=1&rbs=ring:CcSrKDoeYueWlgiEqyg6hmLnlioSccSrKDoeYueWEBp8z8vjbl>.

YouTube Search: "ARRI Lighting Keynote 2019" video date Sep. 10, 2019 [online], [site visited Dec. 14, 2021]: <URL:https://www.youtube.com/watch?v=5LFavR-FQ8s> (Year: 2019).

* cited by examiner

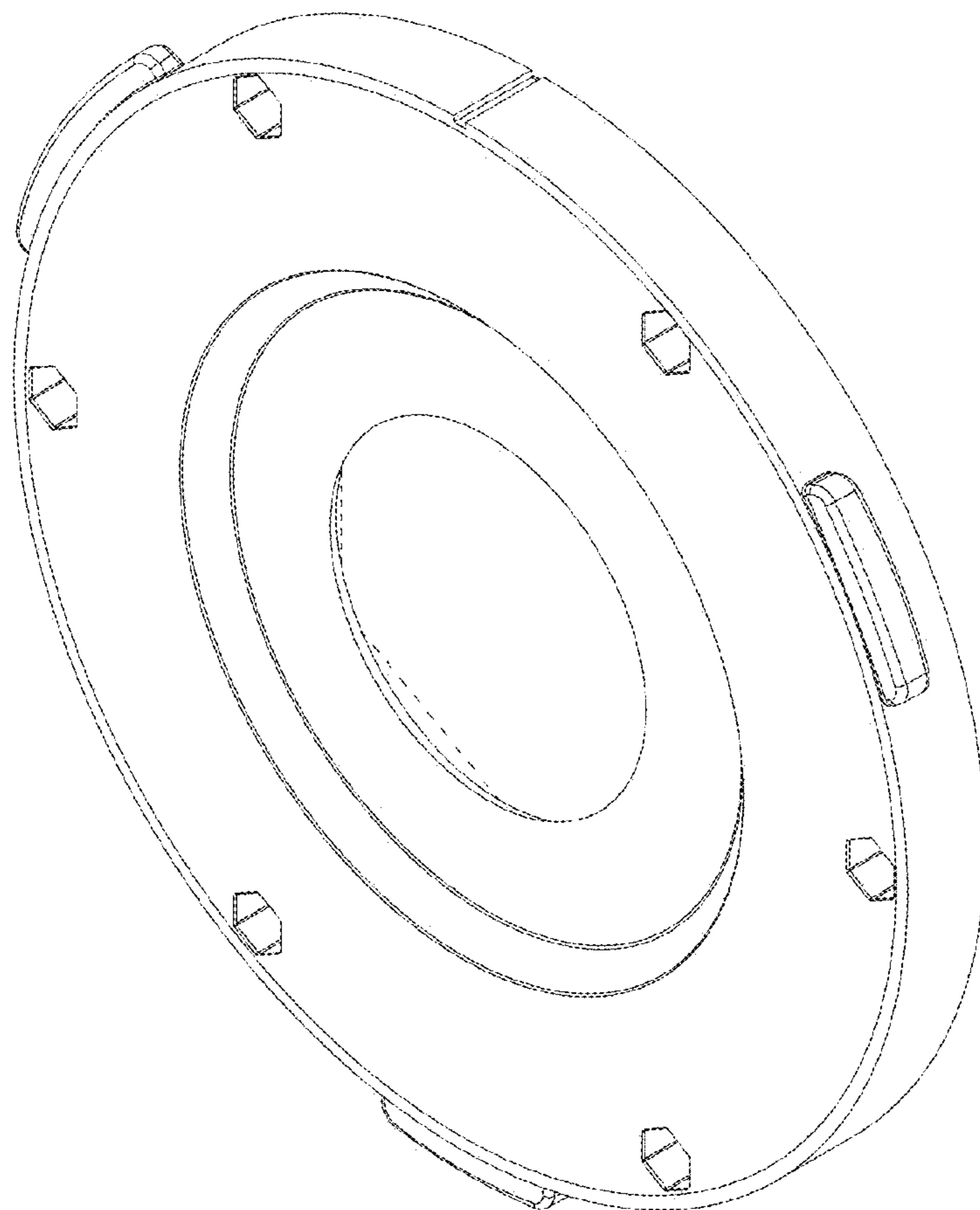


FIG. 1

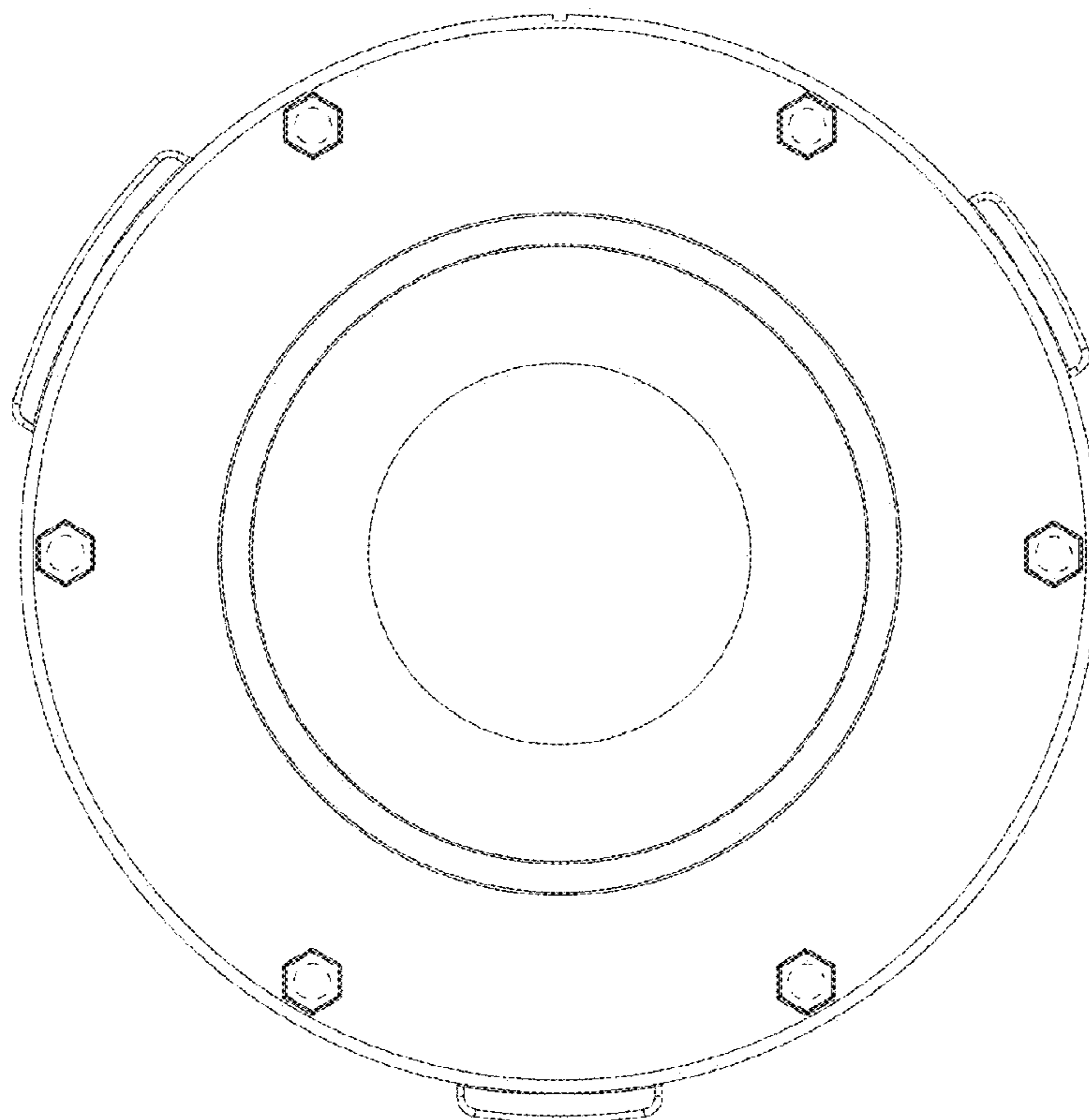


FIG. 2

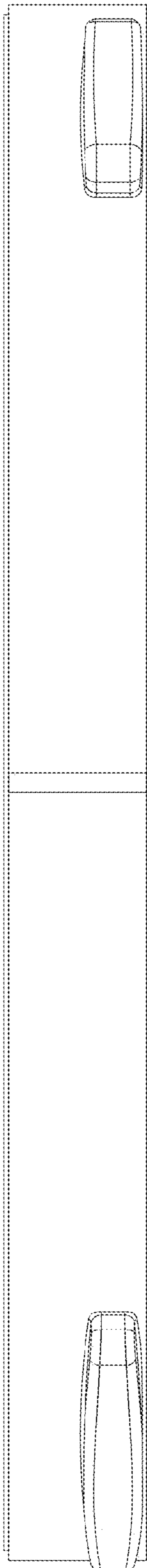


FIG. 3

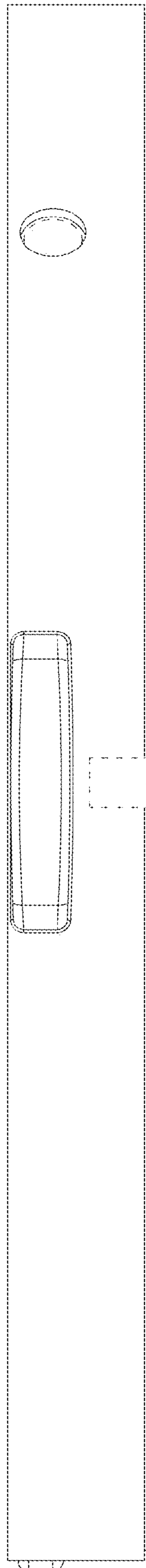


FIG. 4

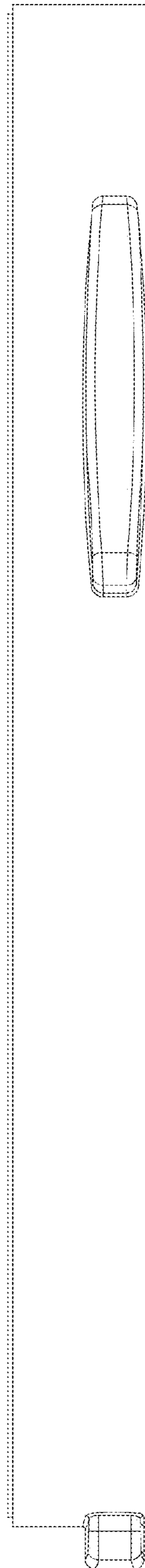


FIG. 5