



US00D984516S

(12) **United States Design Patent**  
**Zhu**

(10) **Patent No.:** **US D984,516 S**  
(45) **Date of Patent:** **\*\* Apr. 25, 2023**

(54) **PROJECTOR**

(71) Applicant: **Shenzhen Kejinming Electronic Co., Ltd.**, Guangdong (CN)

(72) Inventor: **Xianxiong Zhu**, Guangdong (CN)

(73) Assignee: **Shenzhen Kejinming Electronic Co., Ltd.**, Shenzhen (CN)

(\*\*) Term: **15 Years**

(21) Appl. No.: **29/772,205**

(22) Filed: **Feb. 27, 2021**

(30) **Foreign Application Priority Data**

Dec. 23, 2020 (CN) ..... 202030794844.4

(51) **LOC (14) Cl.** ..... **16-02**

(52) **U.S. Cl.**  
USPC ..... **D16/234**

(58) **Field of Classification Search**  
USPC ..... D16/221, 225, 229–231, 234; D21/514  
CPC ..... G03B 21/16; G03B 21/14; G03B 21/145;  
G03B 21/00; G03B 21/001; G03B  
21/003; G03B 21/12  
See application file for complete search history.

(56) **References Cited**

**U.S. PATENT DOCUMENTS**

8,955,979 B2 \* 2/2015 Velazquez ..... G03B 21/14  
313/500  
D857,781 S \* 8/2019 Wang ..... D16/225

D902,983 S \* 11/2020 Yin ..... D16/231  
D919,692 S \* 5/2021 Deng ..... D16/234  
D933,117 S \* 10/2021 Li ..... D16/234  
D934,944 S \* 11/2021 Huang ..... D16/234  
D963,024 S \* 9/2022 Ren ..... D16/234  
D965,667 S \* 10/2022 Li ..... D16/234

\* cited by examiner

*Primary Examiner* — Wan Laymon

(74) *Attorney, Agent, or Firm* — Jeenam Park

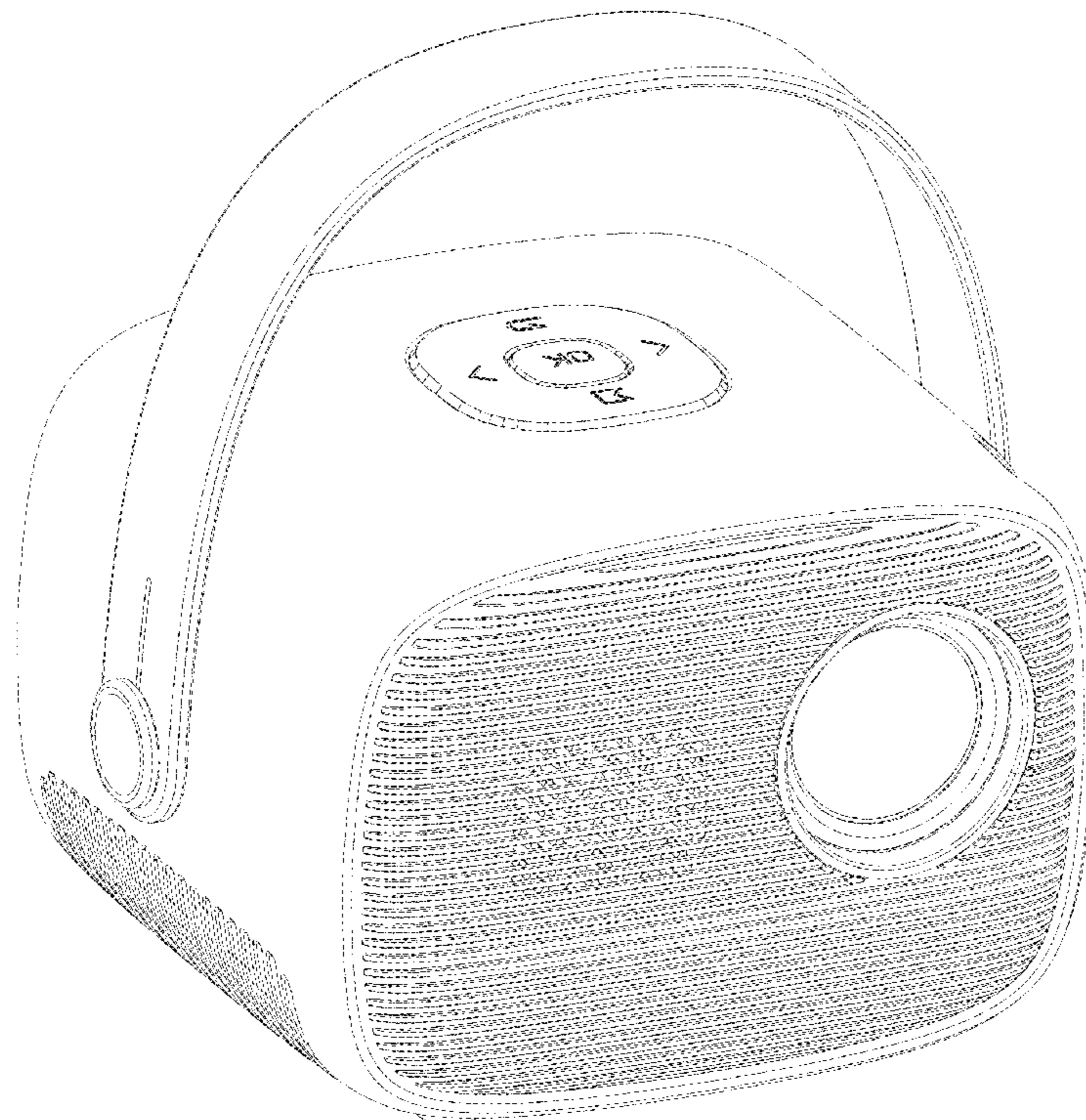
(57) **CLAIM**

The ornamental design for a projector, as shown and described.

**DESCRIPTION**

FIG. 1 is a perspective view of a projector showing my new design;  
FIG. 2 is a front view thereof;  
FIG. 3 is a back view thereof;  
FIG. 4 is a left side view thereof;  
FIG. 5 is a right side view thereof;  
FIG. 6 is a top view thereof; and,  
FIG. 7 is a bottom view thereof.  
The broken lines in the drawings depict portions of the projector and form no part of the claimed design.

**1 Claim, 7 Drawing Sheets**



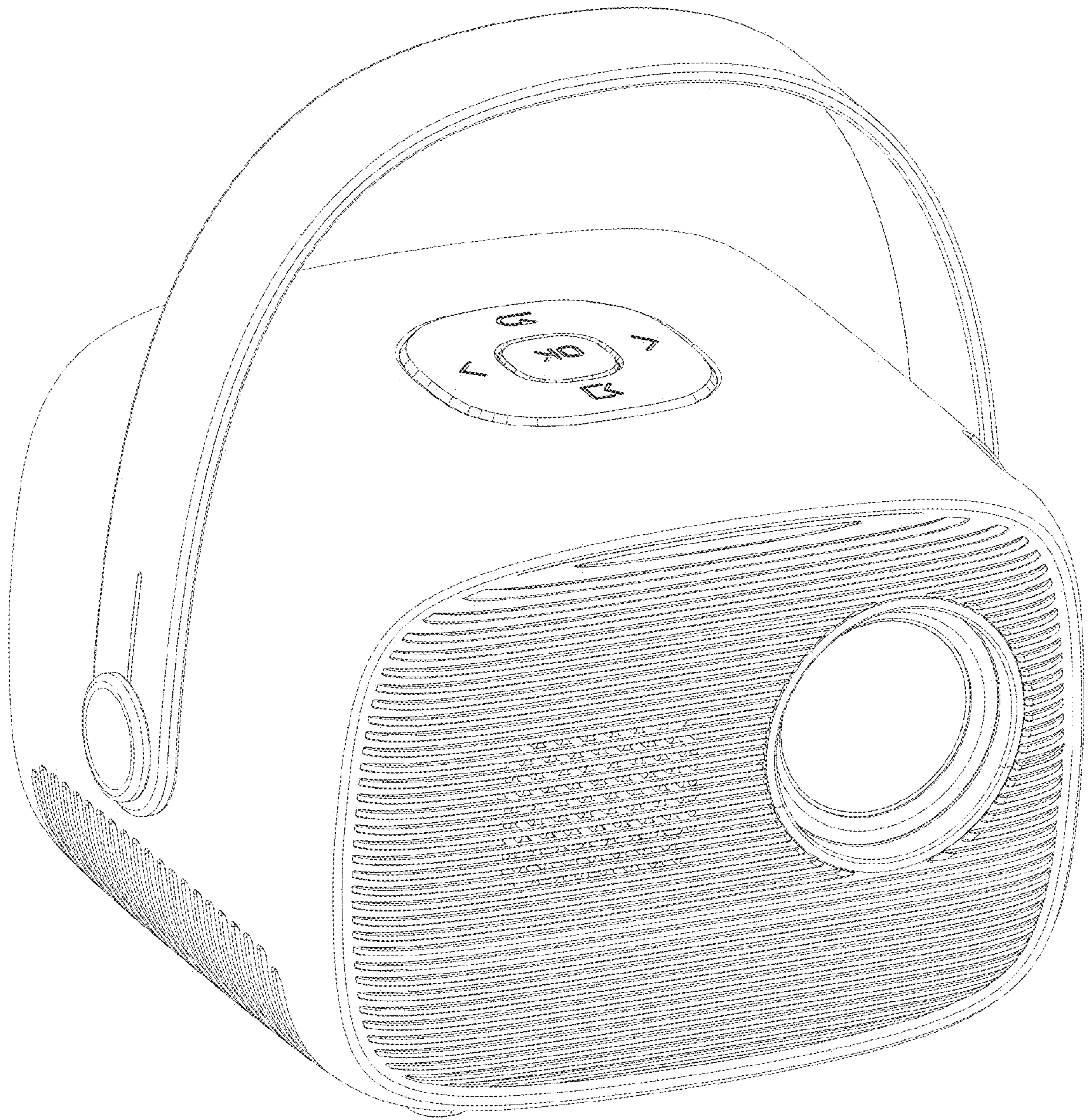


FIG. 1

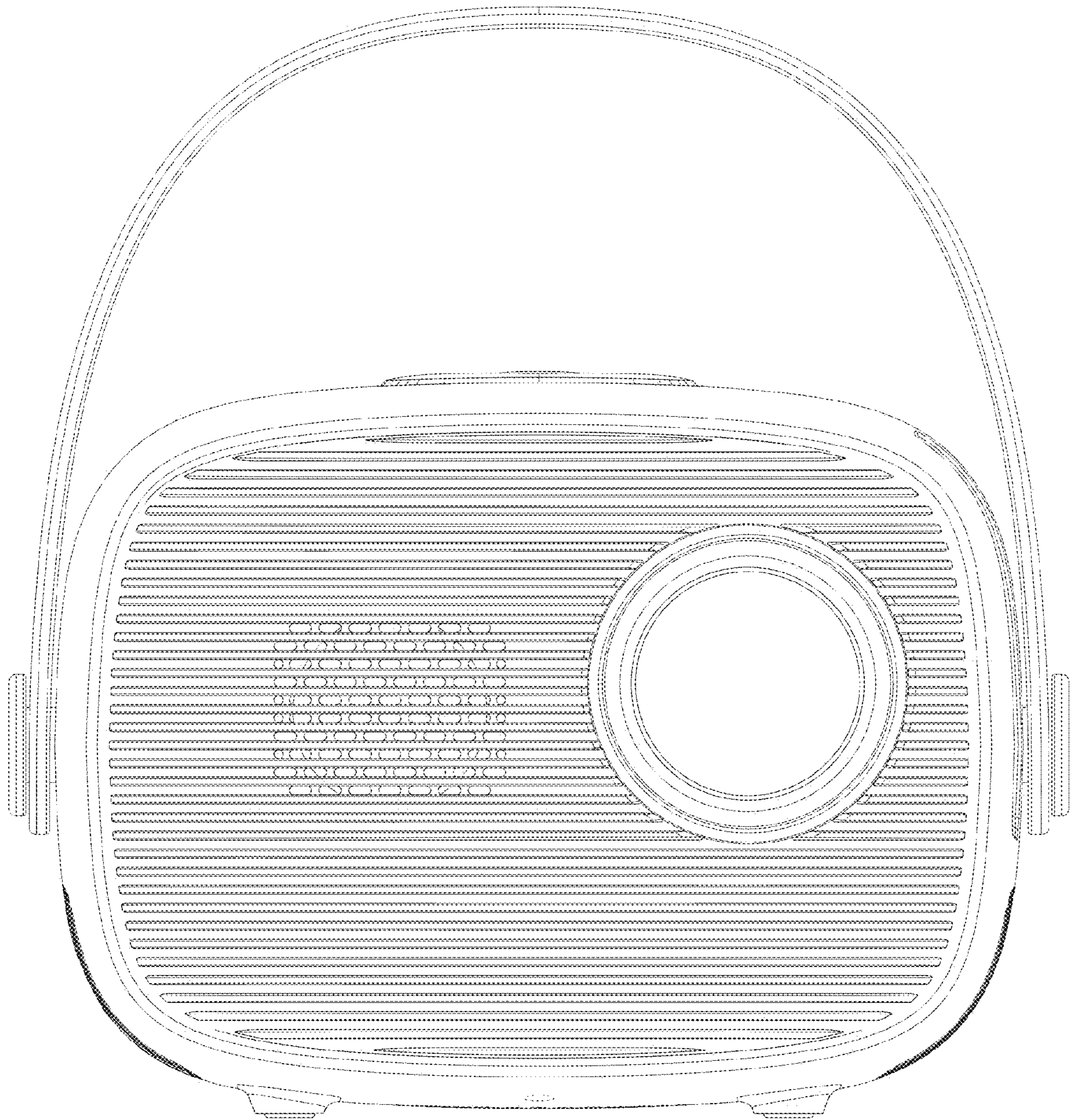


FIG. 2



FIG. 3

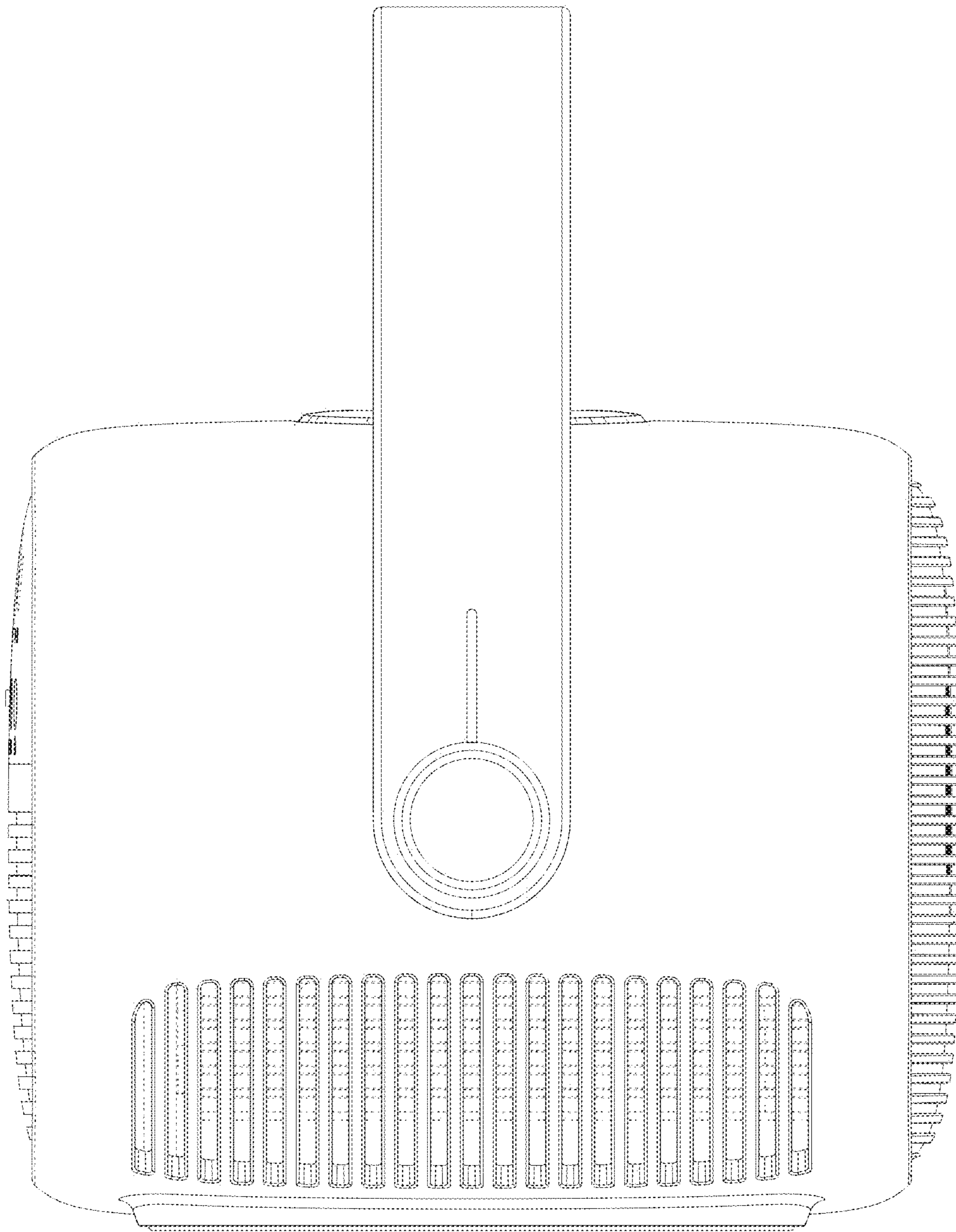


FIG. 4

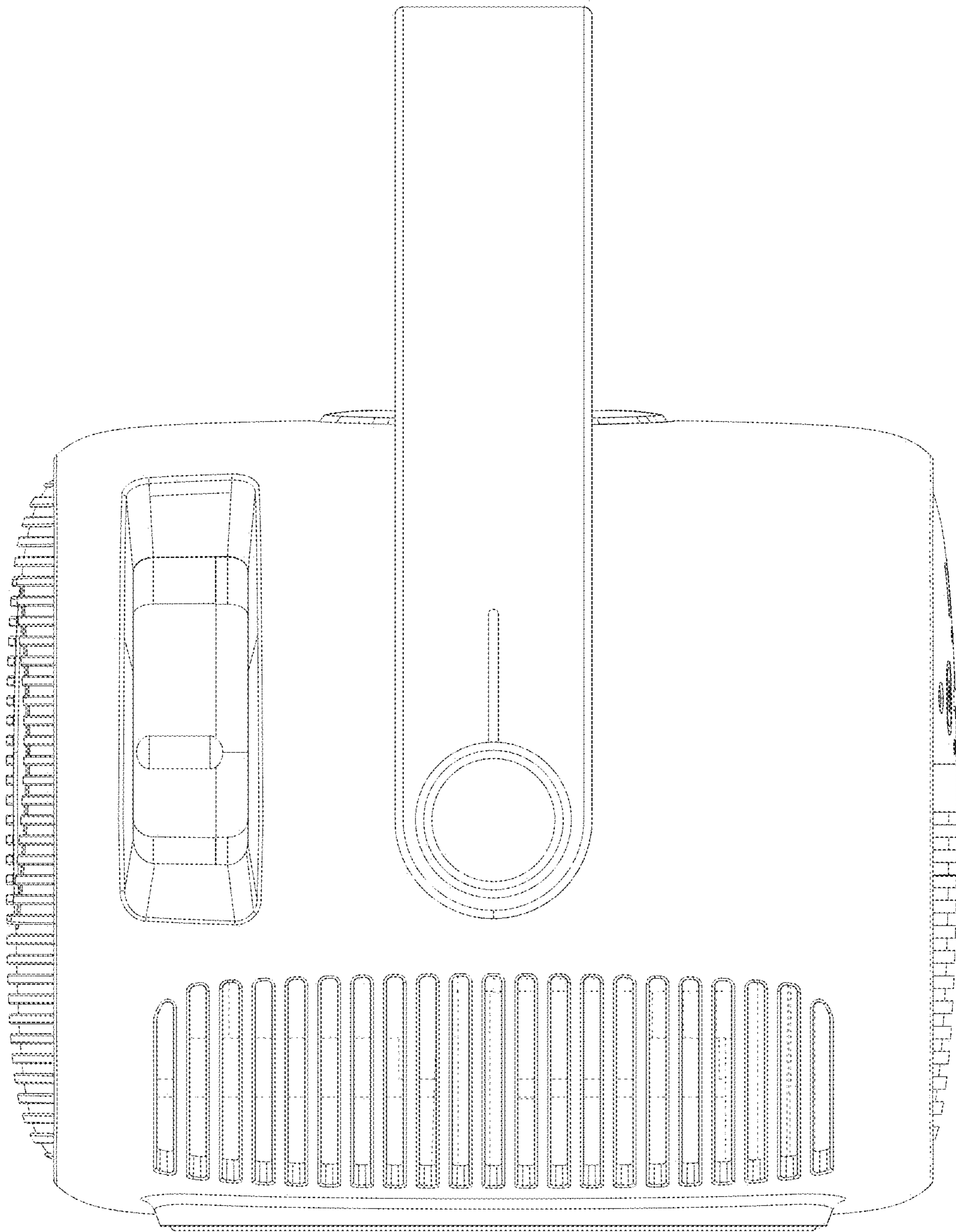


FIG. 5

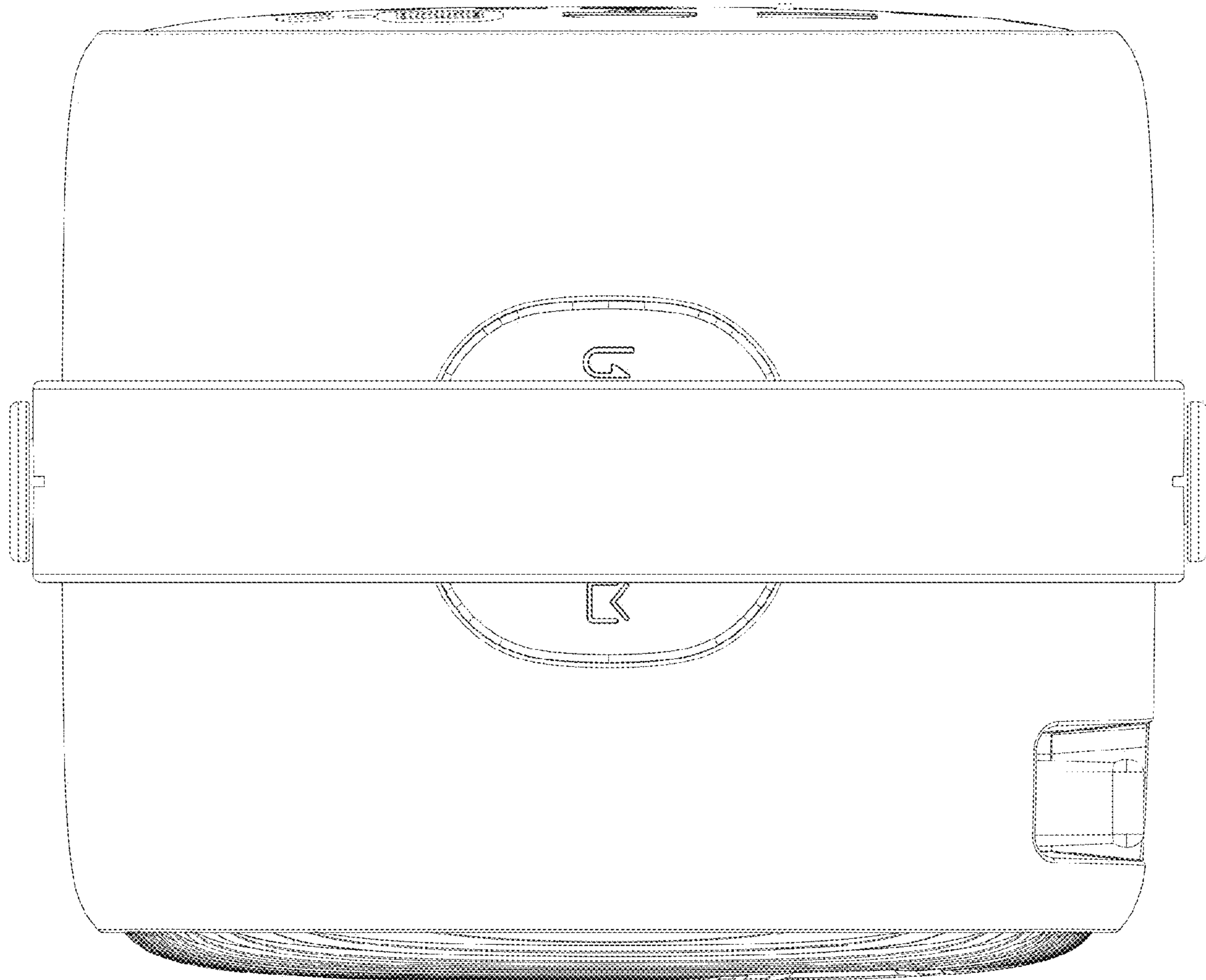


FIG. 6

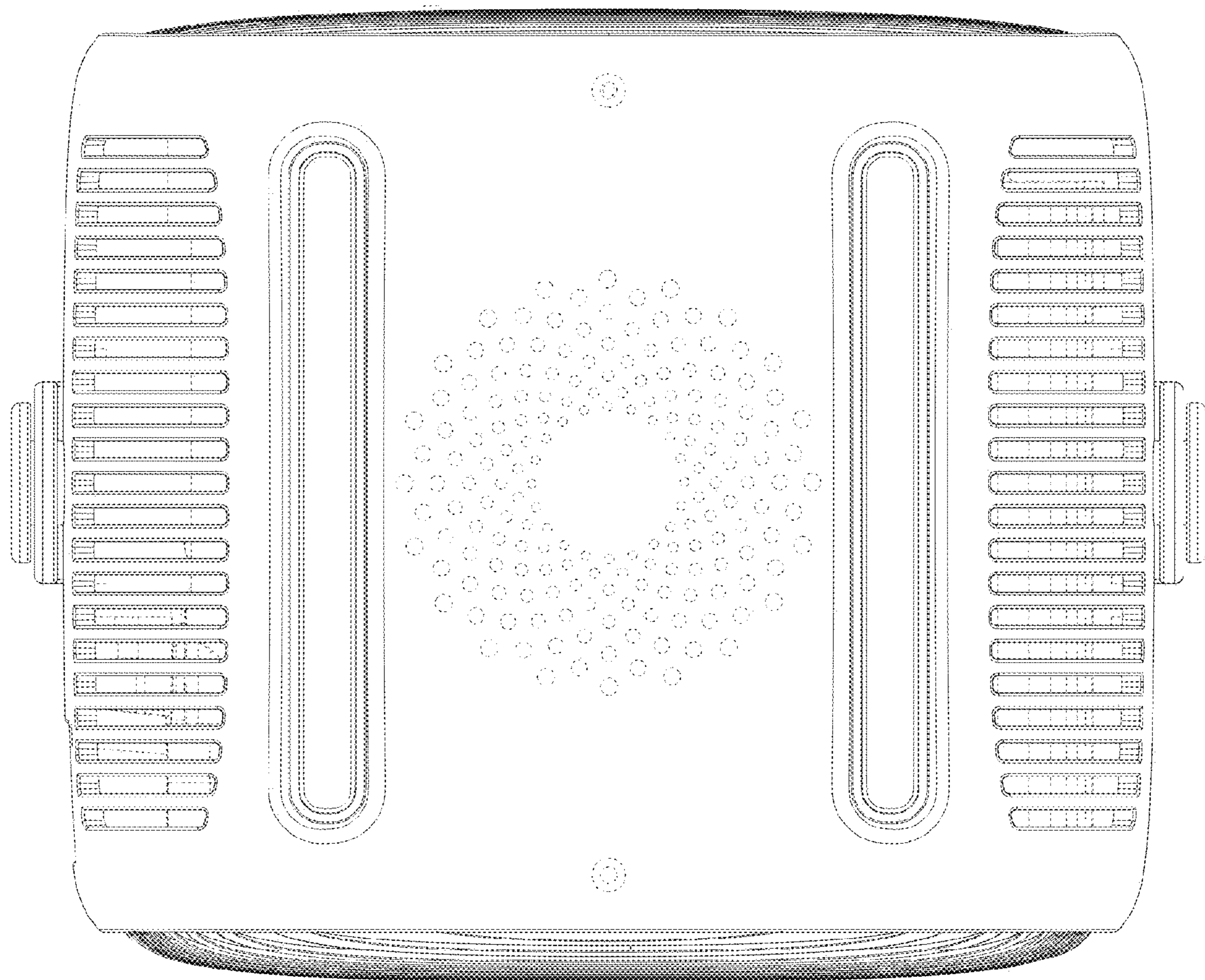


FIG. 7