



US00D984510S

(12) **United States Design Patent** (10) **Patent No.:** **US D984,510 S**  
**Li** (45) **Date of Patent:** **\*\* Apr. 25, 2023**

(54) **MONITORING CAMERA**  
(71) Applicant: **Zhanghuang Chen**, Zhuhai (CN)  
(72) Inventor: **Shengjun Li**, Zhuhai (CN)  
(\*\*) Term: **15 Years**  
(21) Appl. No.: **29/863,383**  
(22) Filed: **Dec. 19, 2022**  
(51) **LOC (14) Cl.** ..... **16-01**  
(52) **U.S. Cl.**  
USPC ..... **D16/203**  
(58) **Field of Classification Search**  
USPC .... D16/200–203, 207, 217; D10/22, 46, 49,  
D10/104.1, 106.1, 106.5, 114.8;  
D14/209, 216, 506, 509, 510  
CPC ..... G03B 17/00; G03B 17/02; H04N 23/50;  
H04N 23/55  
See application file for complete search history.

D963,727 S \* 9/2022 Lin ..... D16/214  
D965,663 S \* 10/2022 Katori ..... D16/203  
D965,665 S \* 10/2022 Zhang ..... D16/203  
(Continued)

**FOREIGN PATENT DOCUMENTS**

CN 307003723 \* 12/2021  
GB 6132603 \* 4/2021

**OTHER PUBLICATIONS**

“Logitech Mevo Start, Wireless Live Streaming Camera, 1080p HD Video Quality, Intelligent App Control, Stream via LTE or Wi-Fi—Black” from Amazon.com, first available Apr. 15, 2020 from the internet <<https://www.amazon.com/Logitech-Wireless-Streaming-Quality-Intelligent/dp/B0866PZN76?th=1>> (Year: 2020).\*  
(Continued)

*Primary Examiner* — Elizabeth J Oswecki  
*Assistant Examiner* — Lacey Chey Bowman

(56) **References Cited**

**U.S. PATENT DOCUMENTS**

D721,115 S \* 1/2015 Park ..... D16/203  
D810,170 S \* 2/2018 Geng ..... D16/203  
D827,691 S \* 9/2018 Zhong ..... D16/203  
D849,092 S 5/2019 Portela et al.  
D864,276 S 10/2019 Hathway et al.  
D869,540 S \* 12/2019 Huang ..... D16/202  
D871,484 S \* 12/2019 Wang ..... D16/203  
D881,970 S \* 4/2020 Peng ..... D16/203  
D884,770 S \* 5/2020 Xue ..... D16/203  
D910,733 S 2/2021 Lennerstedt et al.  
D912,122 S \* 3/2021 McManigal ..... D16/218  
D940,224 S \* 1/2022 Kishimoto ..... D16/203  
D940,226 S \* 1/2022 Wang ..... D16/203  
D942,524 S 2/2022 Xu et al.  
D954,124 S \* 6/2022 Long ..... D16/200  
D956,851 S 7/2022 Zhang  
D959,532 S 8/2022 Sjogren et al.  
D959,535 S \* 8/2022 Park ..... D16/203  
D960,954 S \* 8/2022 Liu ..... D16/203

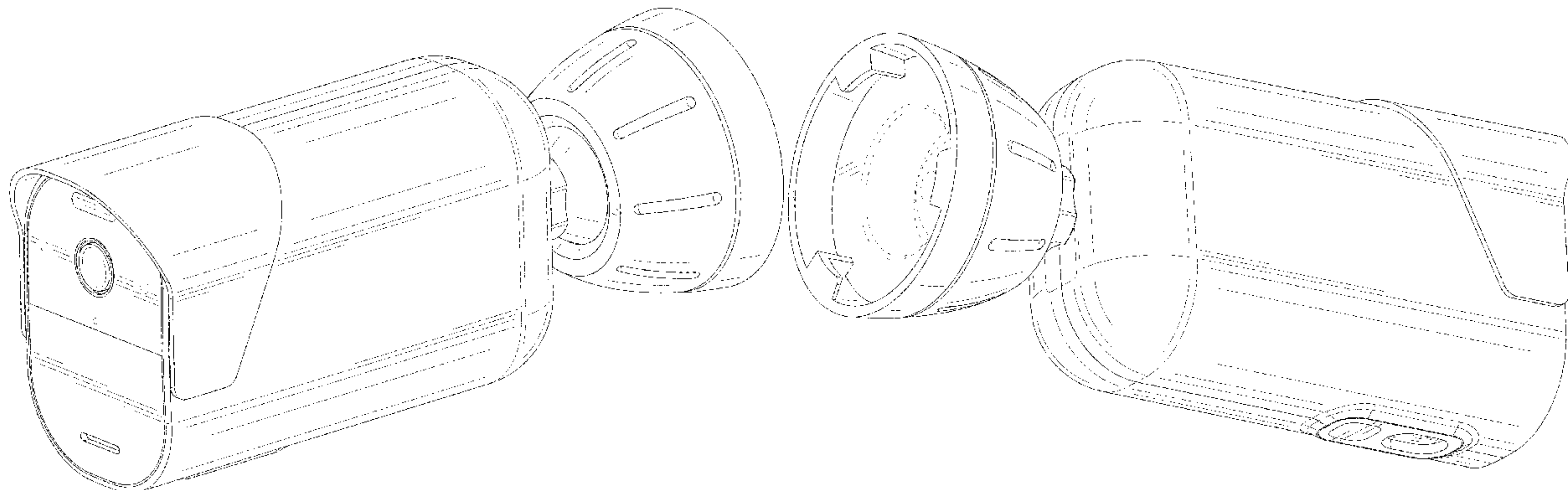
(57) **CLAIM**

The ornamental design for a monitoring camera, as shown and described.

**DESCRIPTION**

FIG. 1 is a front, left, and top perspective view of a monitoring camera, showing my new design;  
FIG. 2 is a rear, right, and bottom perspective view thereof;  
FIG. 3 is a front elevational view thereof;  
FIG. 4 is a rear elevational view thereof;  
FIG. 5 is a left elevational view thereof;  
FIG. 6 is a right elevational view thereof;  
FIG. 7 is a top plan view thereof; and,  
FIG. 8 is a bottom plan view thereof.  
The broken lines depict portions of the monitoring camera that form no part of the claimed design.

**1 Claim, 8 Drawing Sheets**



(56)

**References Cited**

U.S. PATENT DOCUMENTS

D971,290 S \* 11/2022 Wang ..... D16/203  
D972,618 S \* 12/2022 Li ..... D16/203  
D976,984 S \* 1/2023 McManigal ..... D16/203  
2017/0085757 A1\* 3/2017 Ramones ..... H04N 23/55  
2018/0143513 A1\* 5/2018 Song ..... G08B 13/1963

OTHER PUBLICATIONS

“Decko WiFi Security Cameras 1080p Pan Rotating 180° Wired Outdoor Security Cameras with Night Vision, Two-Way Audio, 2.4G WiFi, IP65, Motion Detection Alarm (1 Pack)” from Amazon.com, first available Apr. 30, 2021 from the internet <<https://www.amazon.com/Security-Cameras-DEKCO-Rotating-Outdoor-Detection/dp/B093WQ1GXJ?th=1>>. (Year: 2021).\*

\* cited by examiner

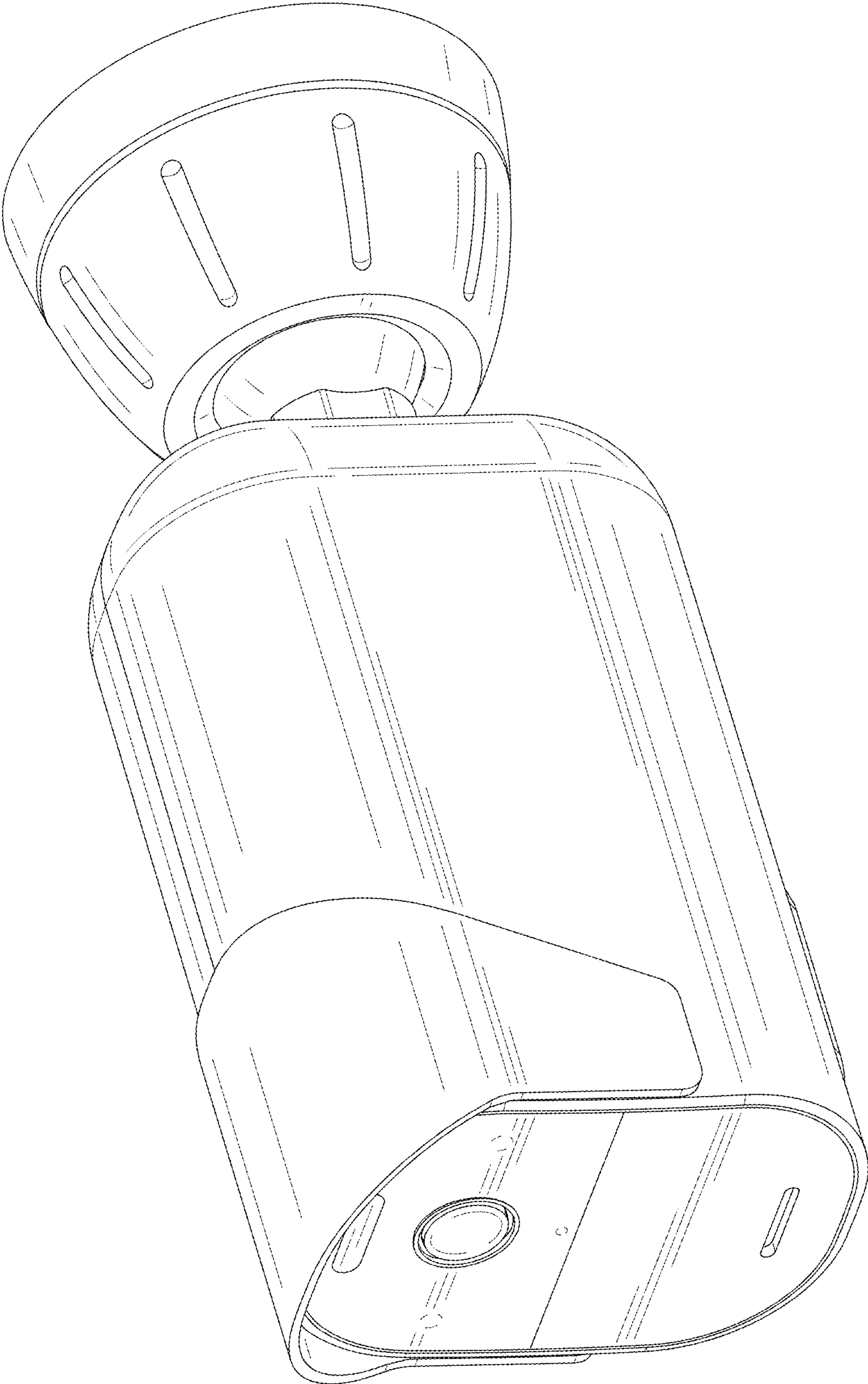


FIG. 1

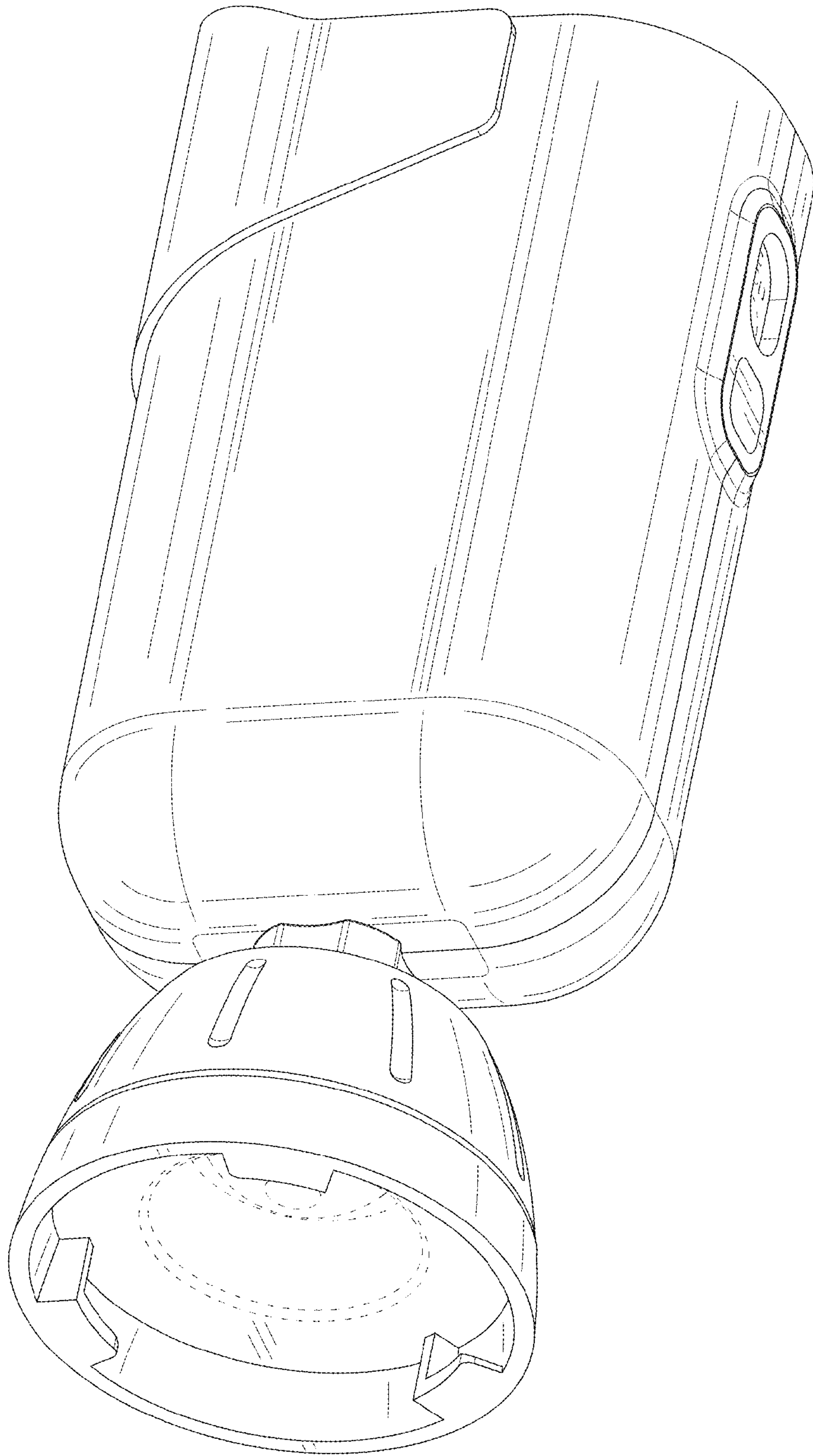


FIG. 2



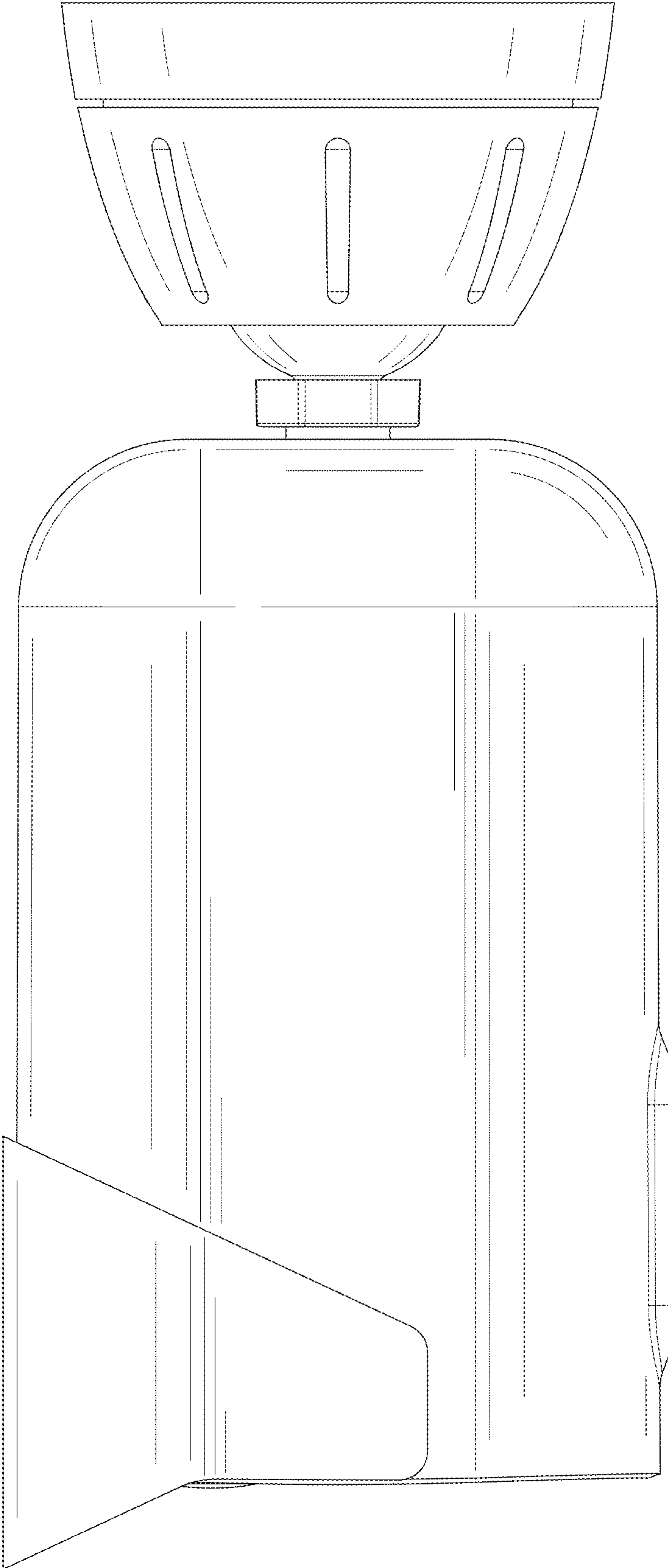


FIG. 3

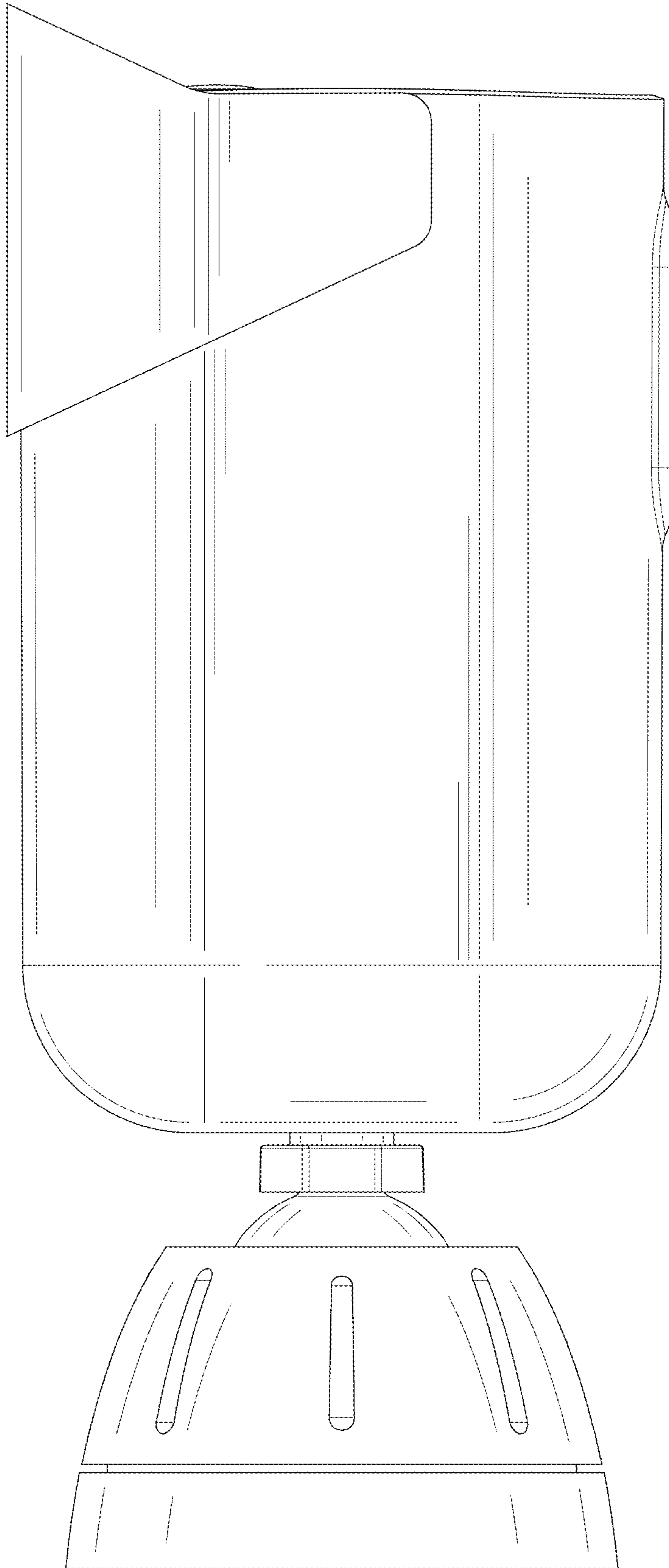


FIG. 4

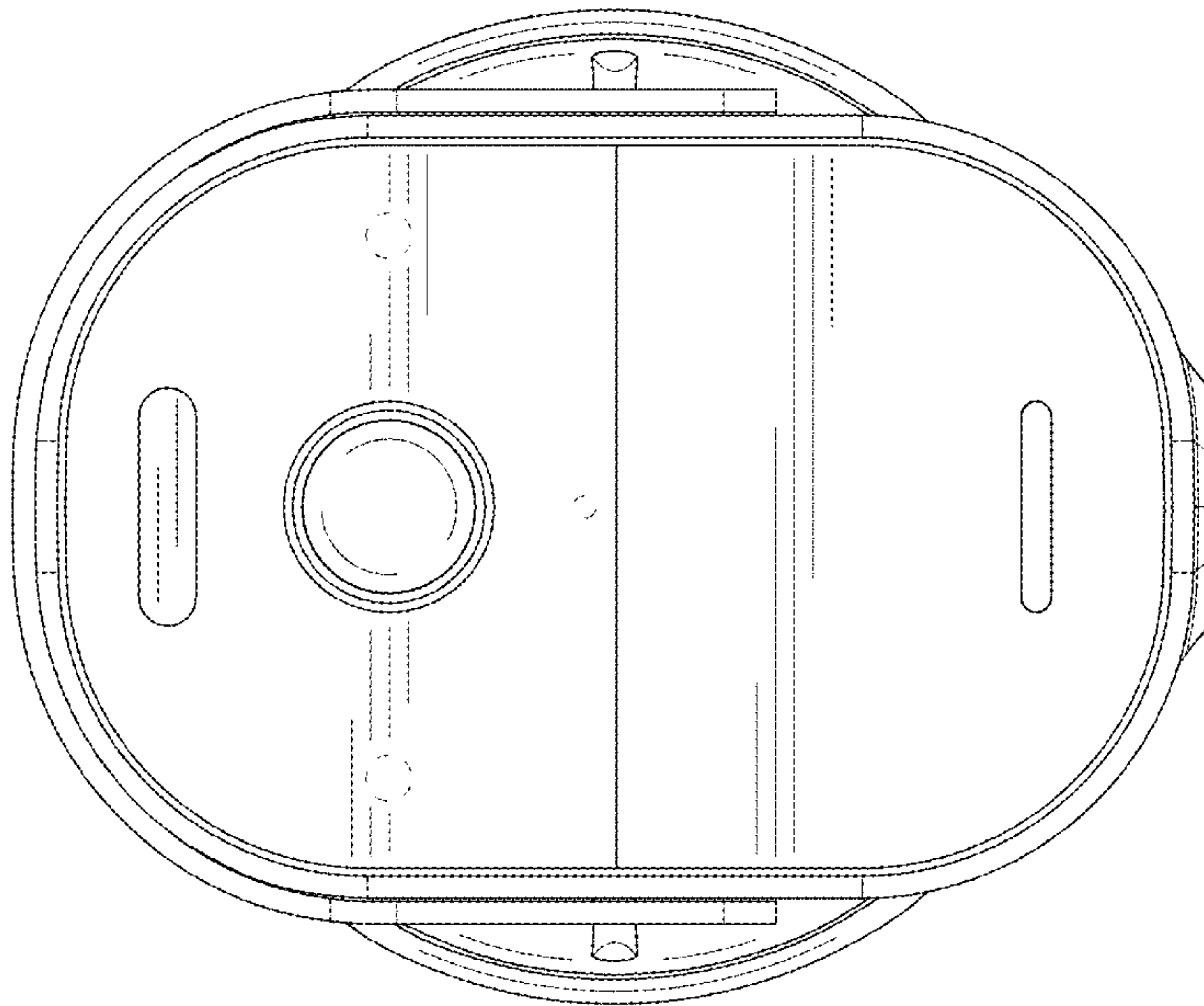


FIG. 5

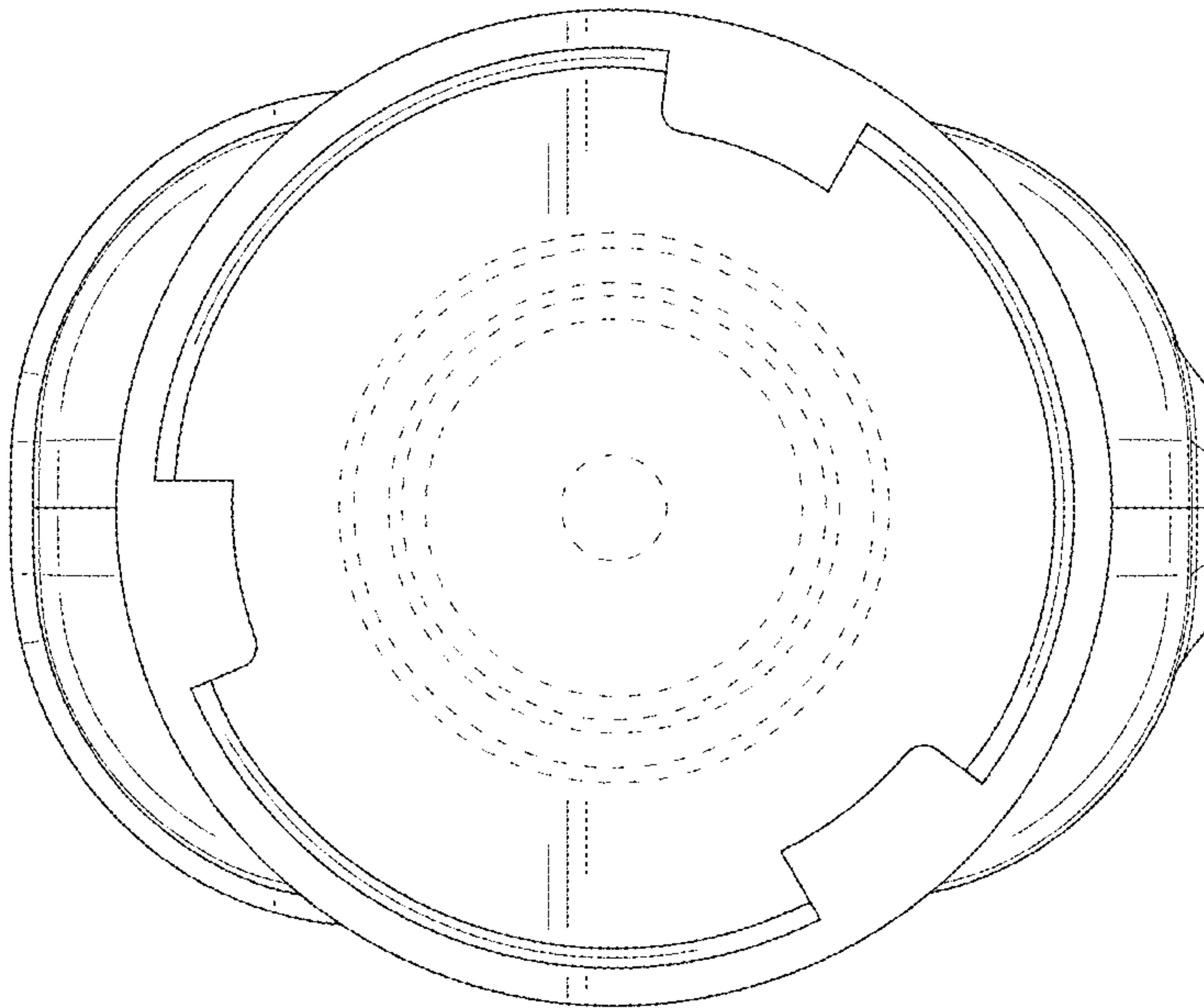


FIG. 6



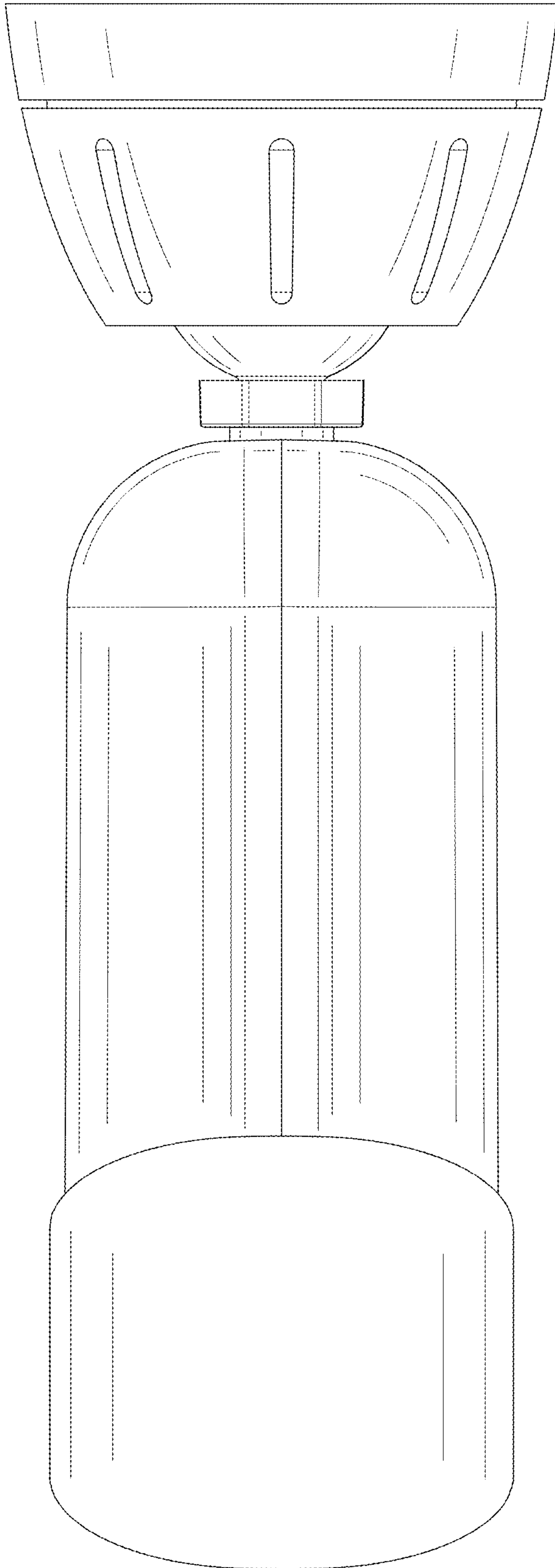


FIG. 7

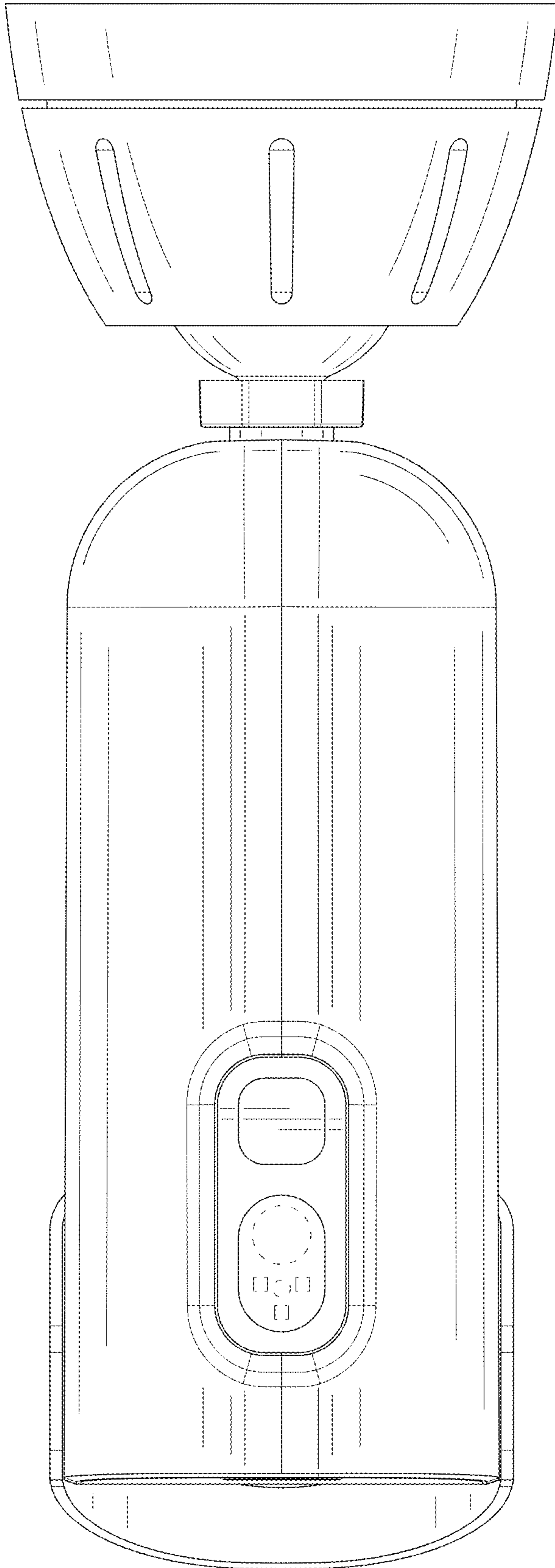


FIG. 8