



US00D984508S

(12) **United States Design Patent** (10) **Patent No.:** **US D984,508 S**
Li (45) **Date of Patent:** **** Apr. 25, 2023**

(54) **MAGNIFYING GLASS**
(71) Applicant: **Xuemei Li**, Shenzhen (CN)
(72) Inventor: **Xuemei Li**, Shenzhen (CN)
(**) Term: **15 Years**
(21) Appl. No.: **29/884,687**
(22) Filed: **Feb. 15, 2023**
(51) **LOC (14) Cl.** **16-06**
(52) **U.S. Cl.**
USPC **D16/135**
(58) **Field of Classification Search**
USPC D6/309; D16/130, 134, 135, 136, 137
CPC G02B 25/002; G02B 25/02; G02B 25/005;
G02B 27/021
See application file for complete search history.

(56) **References Cited**

U.S. PATENT DOCUMENTS

D394,073 S * 5/1998 Hennessy D16/135
6,903,882 B1 * 6/2005 Cameron G02B 25/002
353/100
D602,967 S * 10/2009 Hui D16/135
D635,170 S 3/2011 van der Lande
D637,220 S * 5/2011 Levine D16/135
D654,107 S * 2/2012 Huang D16/135
D702,745 S * 4/2014 Gresko G02B 25/002
D16/135
D702,746 S * 4/2014 Gresko D16/135
D705,842 S * 5/2014 Su G02B 25/02
D16/135
D707,278 S * 6/2014 Tang G02B 25/02
D16/135
D707,279 S * 6/2014 Tang G02B 25/02
D16/135
D707,280 S * 6/2014 Tang G02B 25/02
D16/135
D719,433 S * 12/2014 Cooper D8/107
D750,679 S * 3/2016 Habraken D16/135

D754,766 S * 4/2016 Daniel D16/135
D772,681 S * 11/2016 Cooper D8/107
D786,328 S * 5/2017 Schuss D16/135
D905,146 S * 12/2020 Huang D16/135
D905,147 S * 12/2020 Hillstrom D16/135
D935,505 S * 11/2021 Bae D16/135
D953,402 S * 5/2022 Huang D26/38
11,333,877 B1 * 5/2022 Su G02B 25/002
D956,844 S * 7/2022 Huang D16/135
11,473,770 B1 * 10/2022 Lin F21V 23/003
2008/0158696 A1 * 7/2008 Yip G02B 7/02
359/811
2021/0219842 A1 * 7/2021 Trotzenberg F21V 9/06

OTHER PUBLICATIONS

“TH607B,” posted Aug. 19, 2020, retrieved Mar. 2, 2023 from https://www.youtube.com/watch?v=AxT9W8IY_rE (Year: 2020).*

* cited by examiner

Primary Examiner — Maria J. Edwards

Assistant Examiner — Dina Michelle Hoeynck

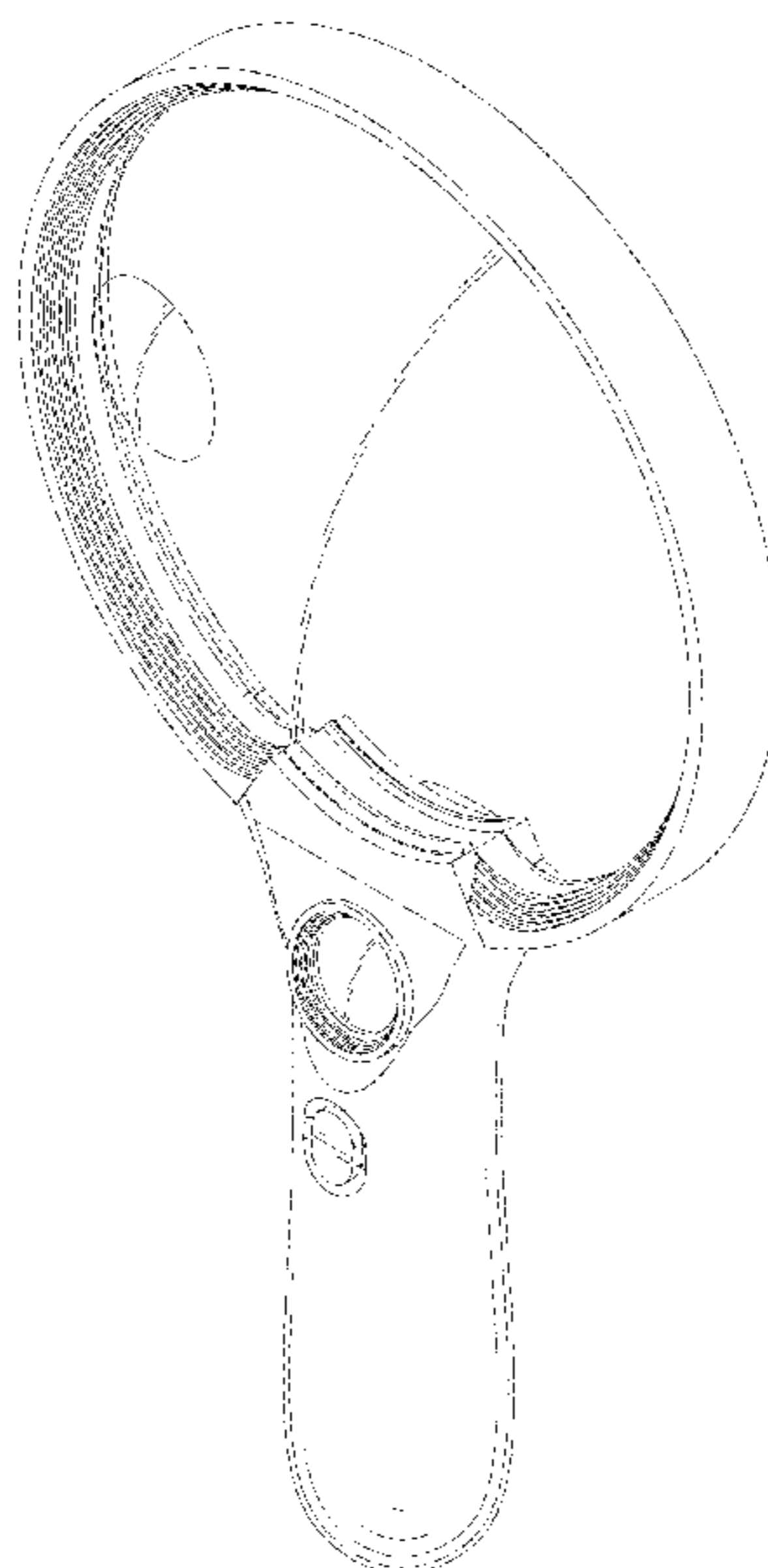
(57) **CLAIM**

The ornamental design for a magnifying glass, as shown and described.

DESCRIPTION

FIG. 1 is a front perspective view of a magnifying glass, showing my new design;
FIG. 2 is a rear perspective view thereof;
FIG. 3 is a front view thereof;
FIG. 4 is a rear view thereof;
FIG. 5 is a left side view thereof;
FIG. 6 is a right side view thereof;
FIG. 7 is a top view thereof; and,
FIG. 8 is a bottom view thereof.
The broken lines in the drawings illustrate the portions of the magnifying glass, which form no part of the claimed design.

1 Claim, 8 Drawing Sheets



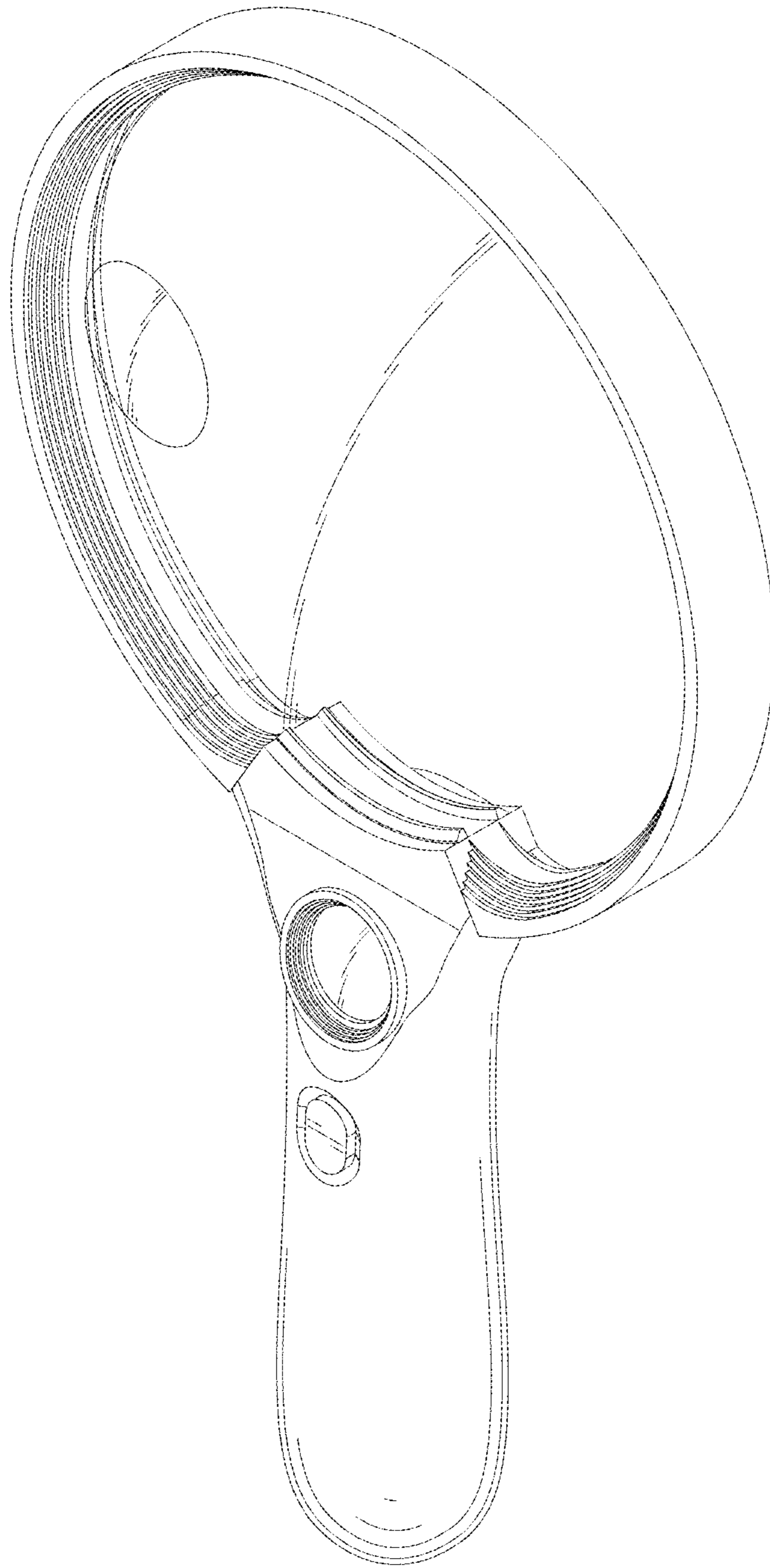


FIG.1

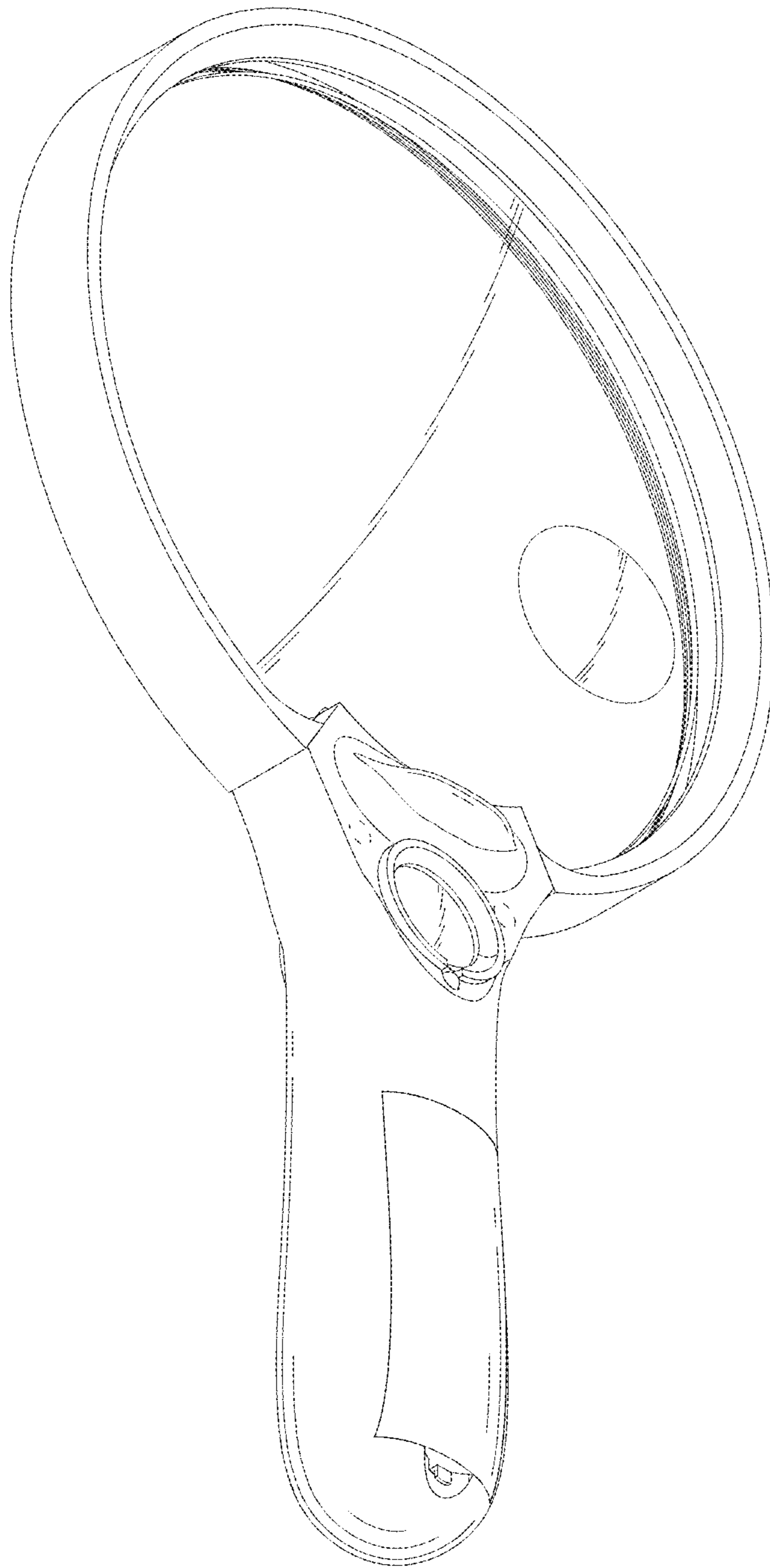


FIG.2

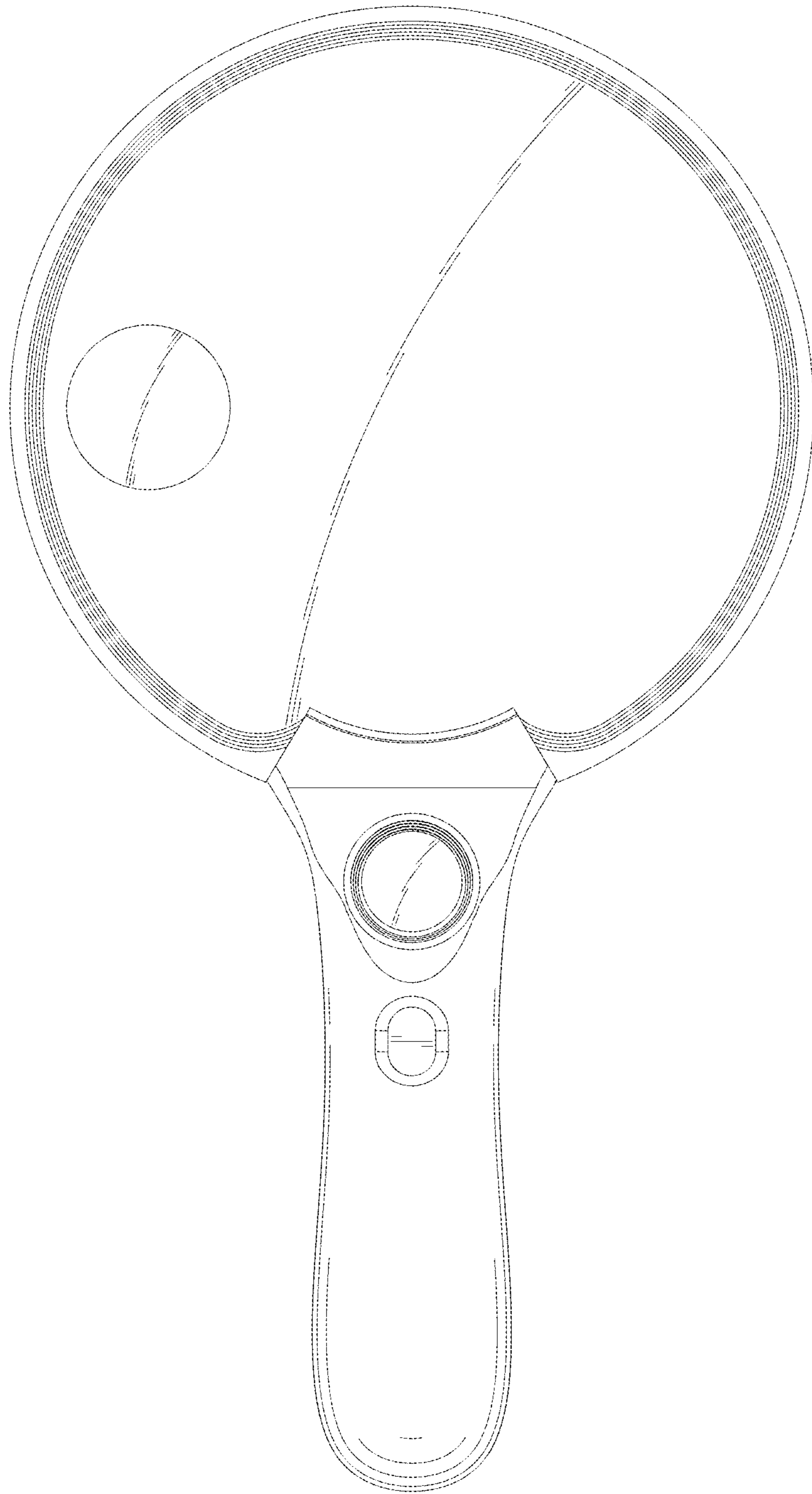


FIG. 3

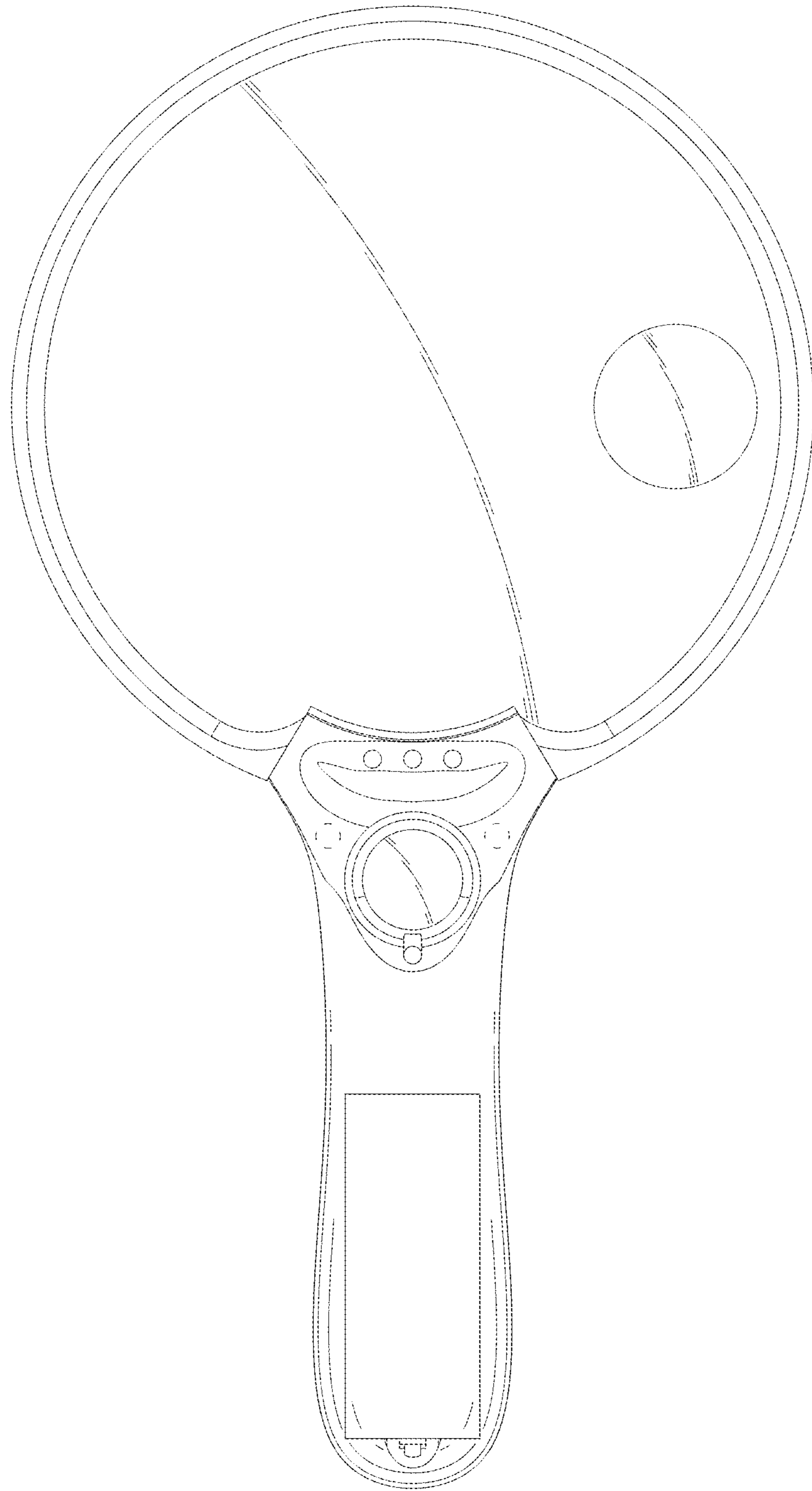


FIG. 4

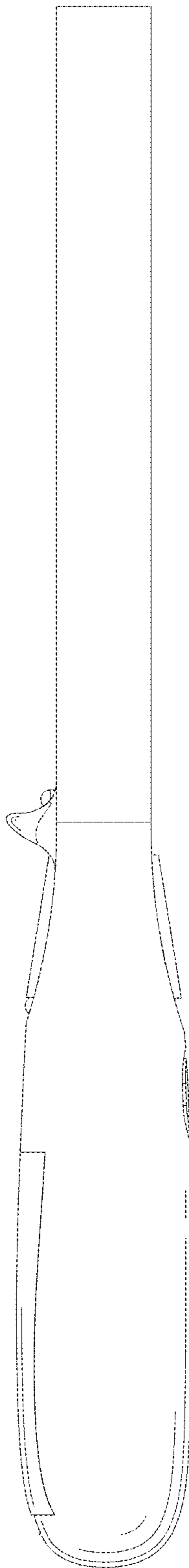


FIG. 5

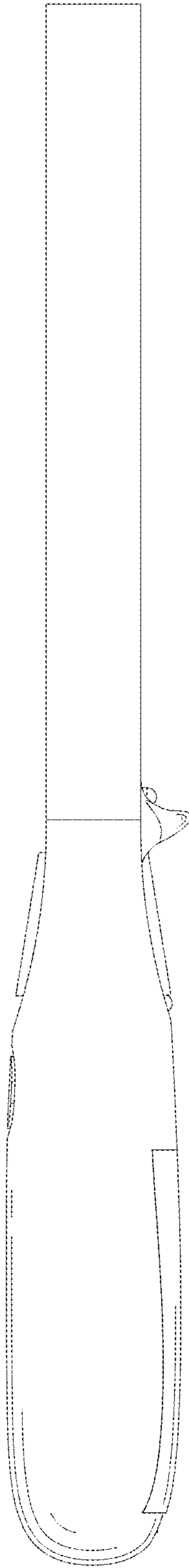


FIG.6

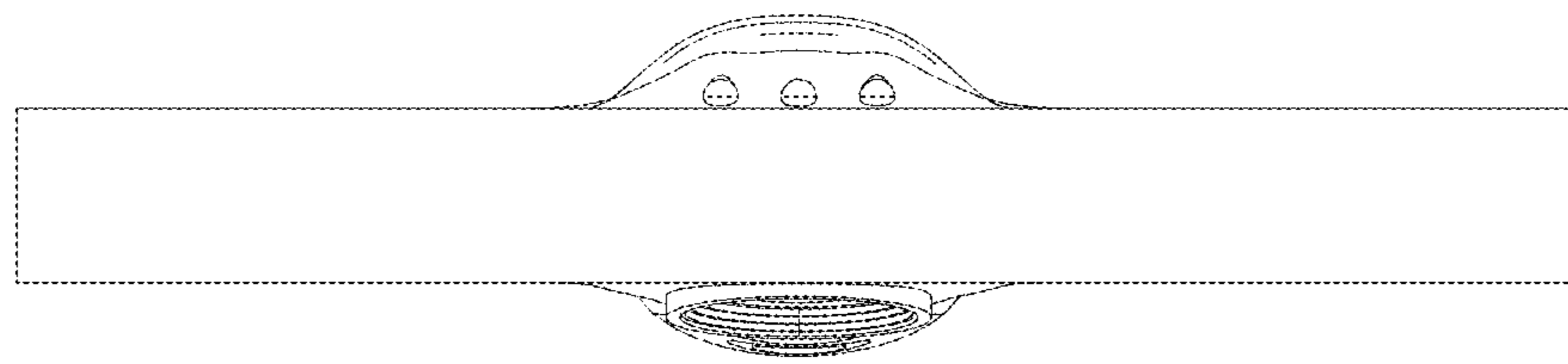


FIG. 7

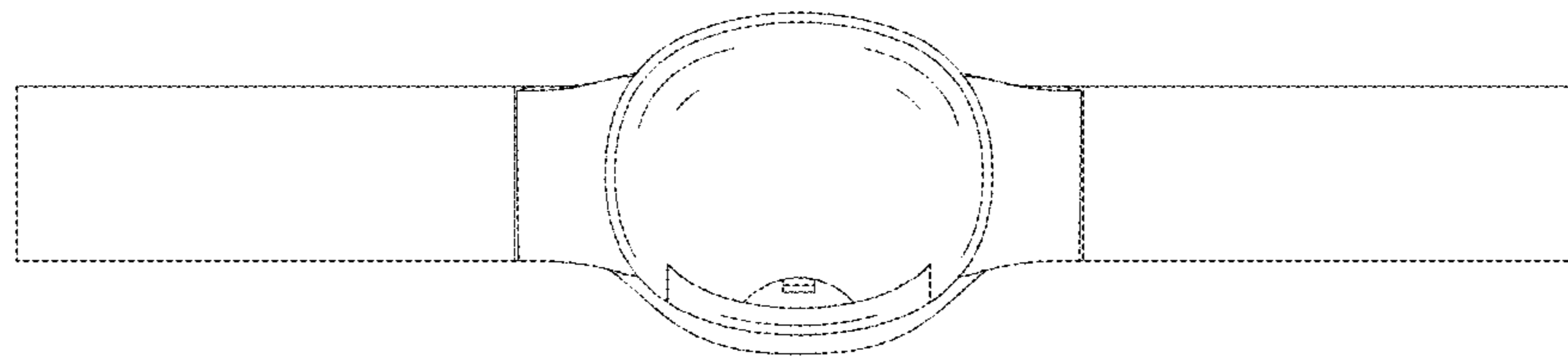


FIG.8