



US00D984503S

(12) **United States Design Patent**
Wang

(10) **Patent No.:** **US D984,503 S**

(45) **Date of Patent:** **** Apr. 25, 2023**

(54) **WELDING TORCH FLAME SPREADER**

(71) Applicant: **Kang Wang**, Hangzhou (CN)

(72) Inventor: **Kang Wang**, Hangzhou (CN)

(**) Term: **15 Years**

(21) Appl. No.: **29/797,912**

(22) Filed: **Jul. 3, 2021**

(51) **LOC (14) Cl.** **15-09**

(52) **U.S. Cl.**
USPC **D15/144**

(58) **Field of Classification Search**
USPC D15/122, 144, 144.1, 144.2
CPC . B23K 5/22; F23D 14/38; F23D 14/52; F23D
14/70

See application file for complete search history.

(56) **References Cited**

U.S. PATENT DOCUMENTS

D23,809 S *	11/1894	Hayden	D26/114
D32,789 S *	6/1900	Chandler	D26/114
D32,955 S *	7/1900	Ievers	D26/114
D407,726 S *	4/1999	Zigliotto	D8/30
D549,255 S *	8/2007	Axinte	D15/144
D636,002 S *	4/2011	Bruckner	D15/144
D748,172 S *	1/2016	Hassan	D15/144
D759,137 S *	6/2016	Hassan	D15/144
D809,579 S *	2/2018	Buss	D15/144
D835,692 S *	12/2018	Susin	D15/144

D846,009 S *	4/2019	Takemura	D15/144
D859,109 S *	9/2019	Wu	D8/30
D861,610 S *	10/2019	Shepard	D13/133
D862,546 S *	10/2019	Becket	D15/144
D911,401 S *	2/2021	Gou	D15/144.2
D943,061 S *	2/2022	McIntyre, II	F23R 3/283 D23/214
D963,010 S *	9/2022	Avent	D15/144

* cited by examiner

Primary Examiner — Michael C Stout

Assistant Examiner — Fritzgerald L Butac

(74) *Attorney, Agent, or Firm* — Georgi Korobanov

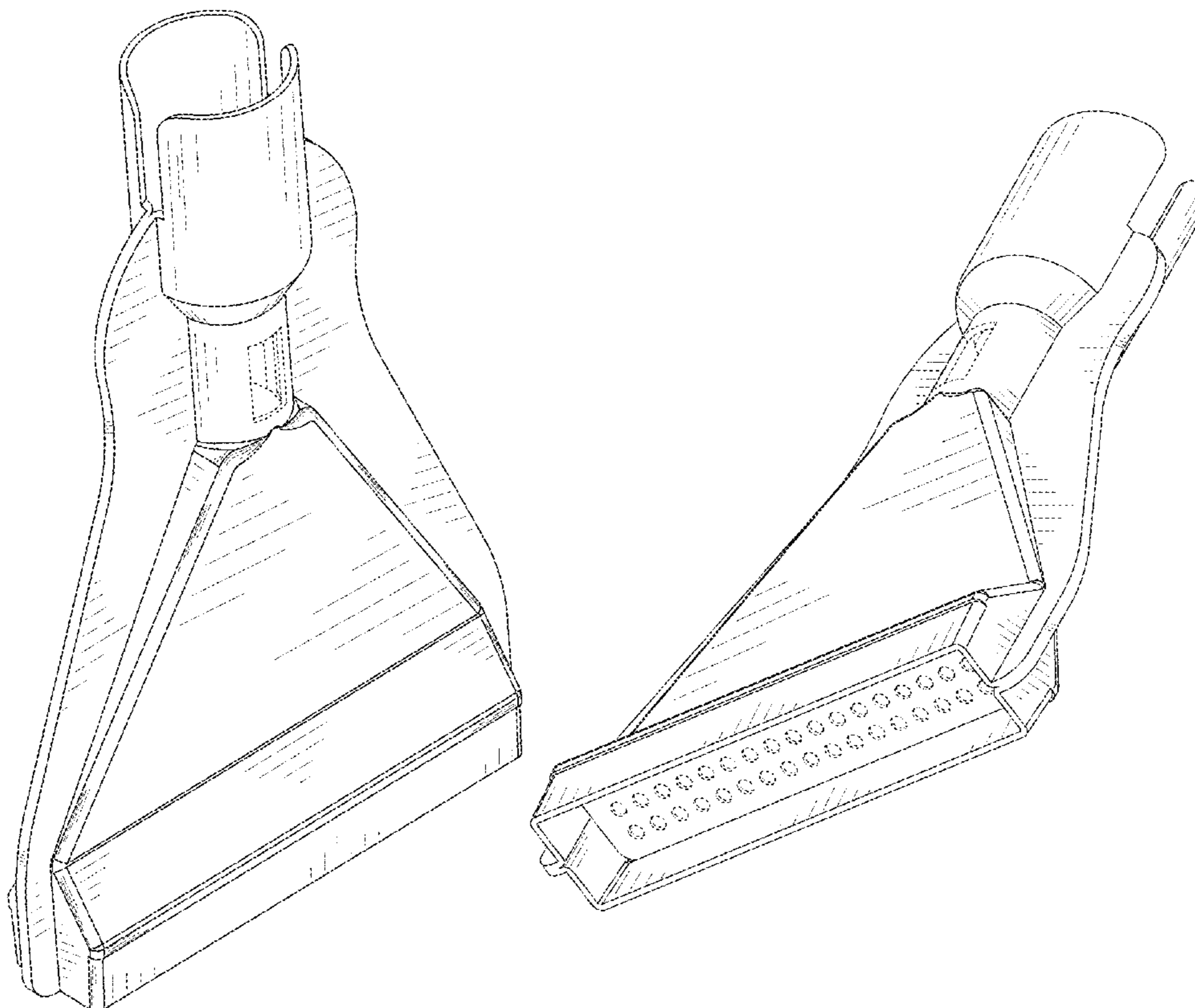
(57) **CLAIM**

The ornamental design for a welding torch flame spreader, as shown and described.

DESCRIPTION

FIG. 1 is a perspective view of the welding torch flame spreader showing my new design; FIG. 2 is a front elevational view thereof; FIG. 3 is a rear elevational view thereof; FIG. 4 is a left side elevational view thereof; FIG. 5 is a right side elevational view thereof; FIG. 6 is a top plan view of thereof; FIG. 7 is a bottom plan view of thereof; and, FIG. 8 is a perspective view thereof from another angle. The broken lines show portions of a welding torch flame spreader which form no part of the claimed design.

1 Claim, 8 Drawing Sheets



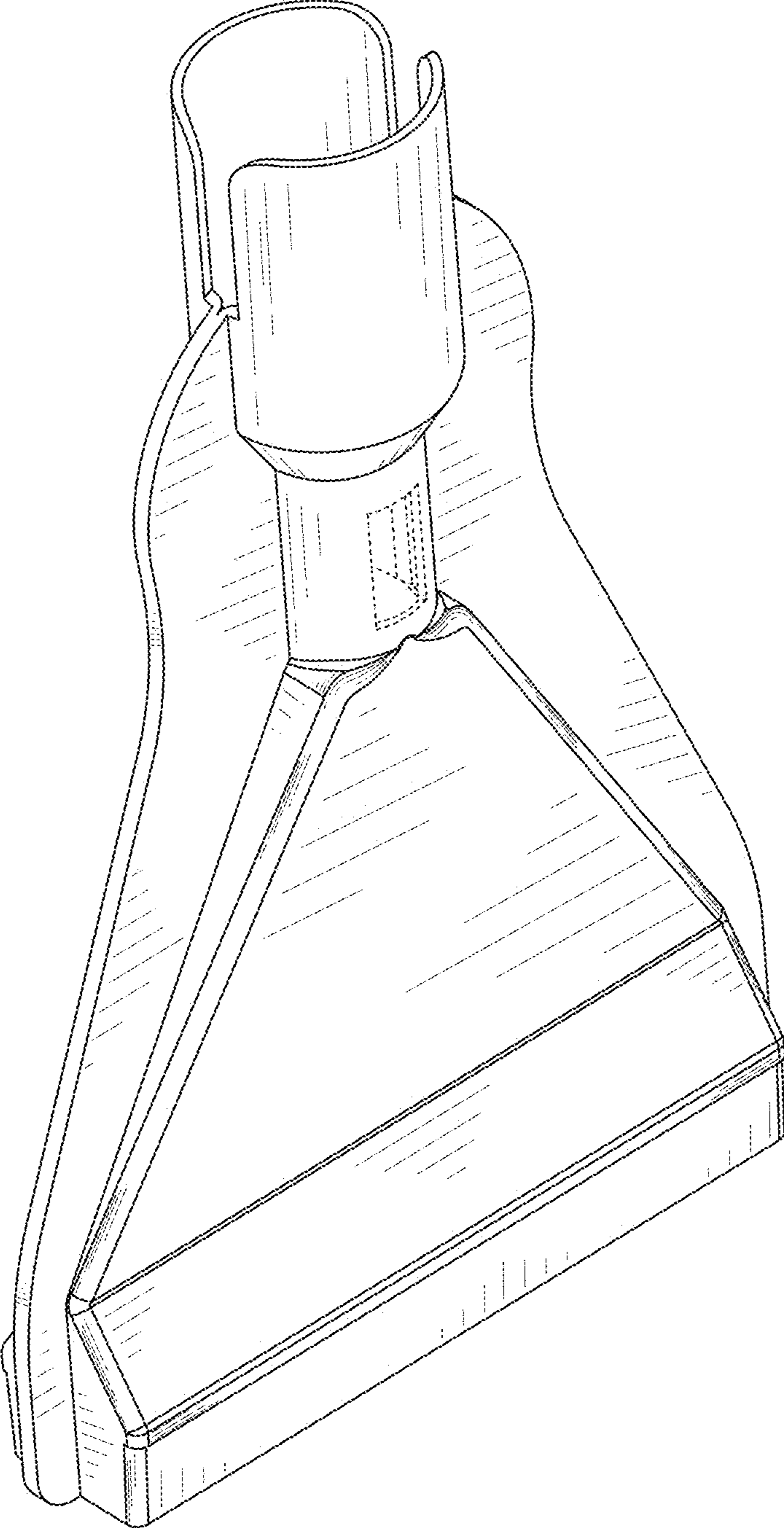


FIG. 1

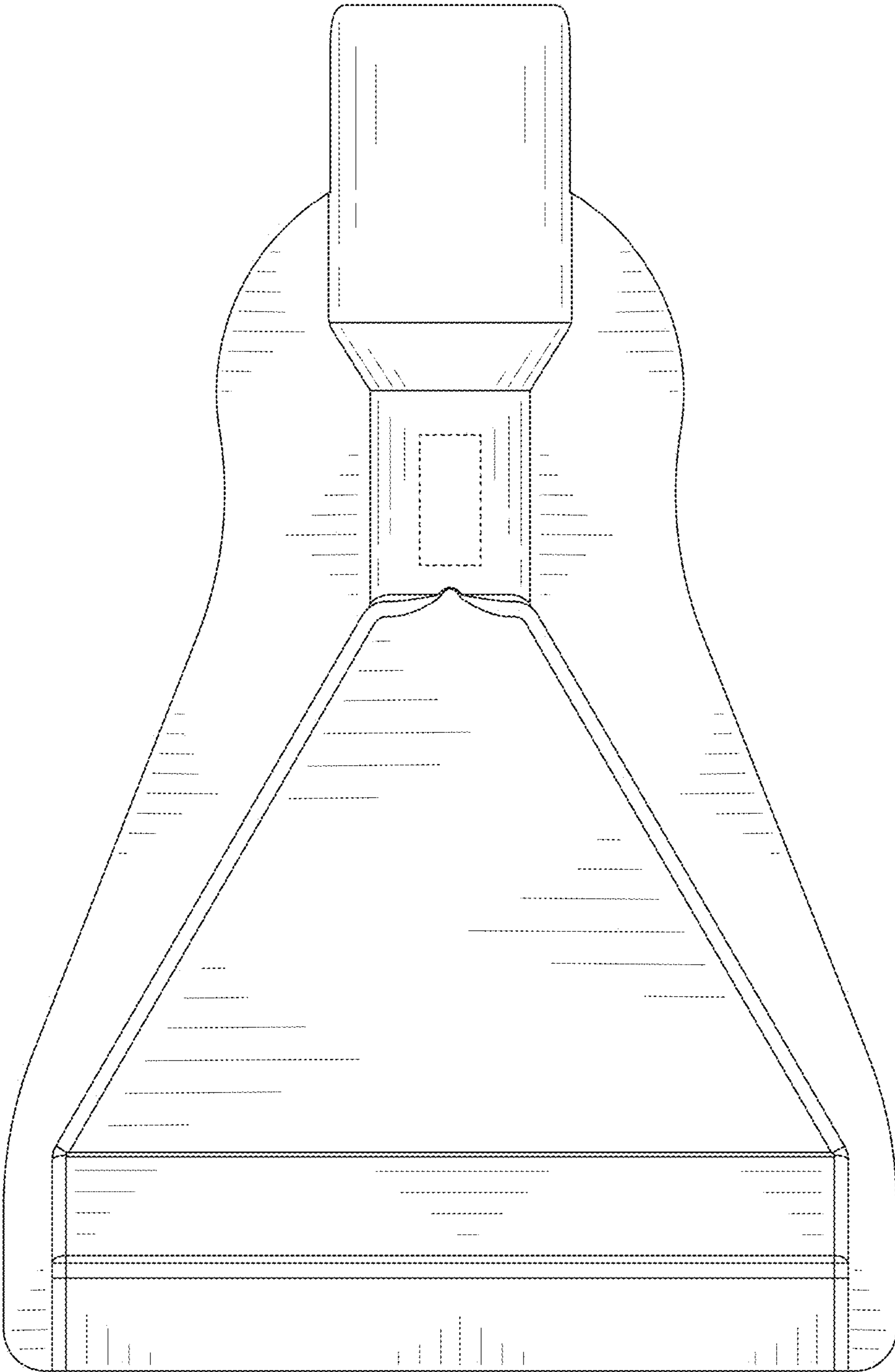


FIG. 2

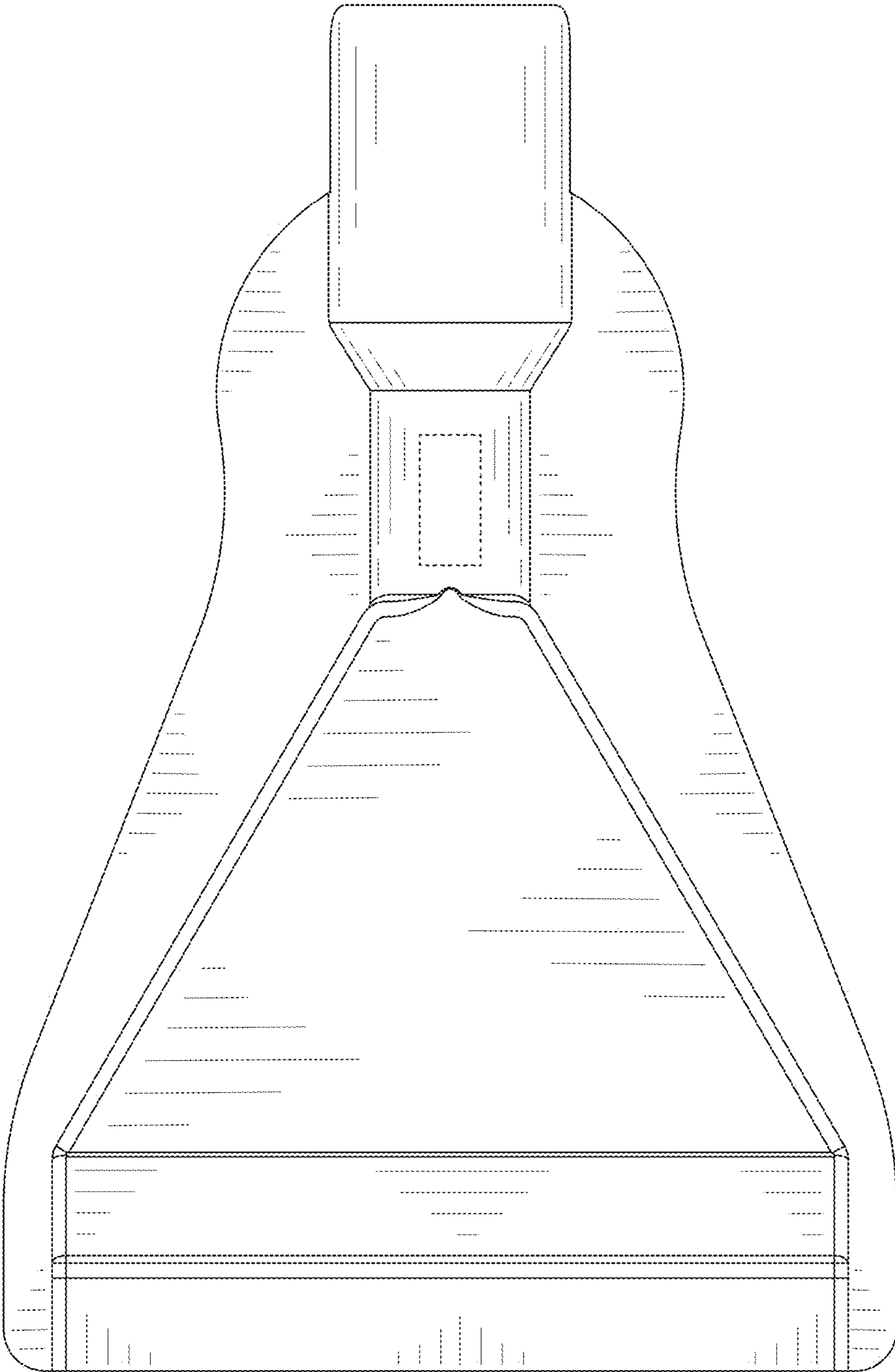


FIG. 3

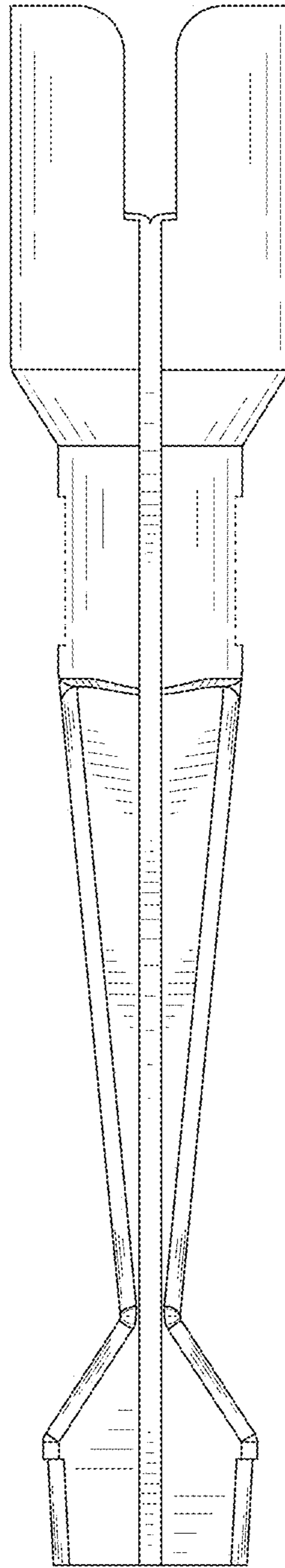


FIG.4

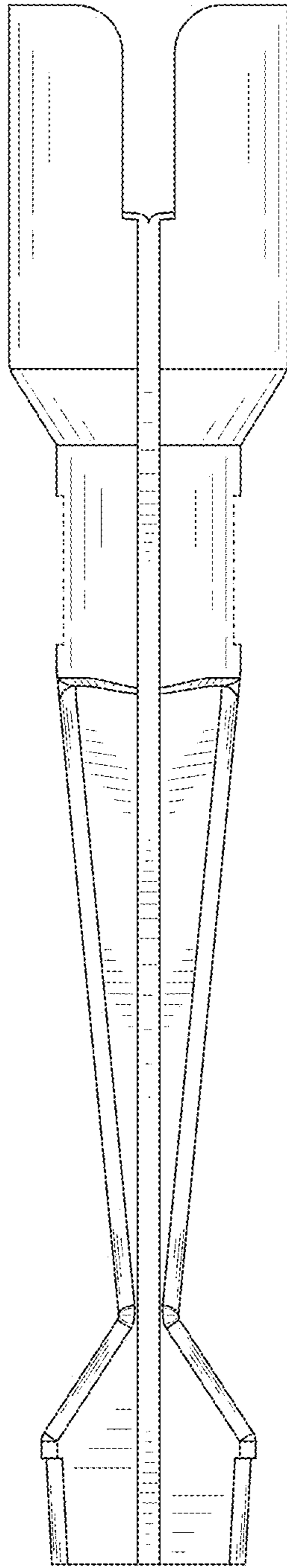


FIG. 5

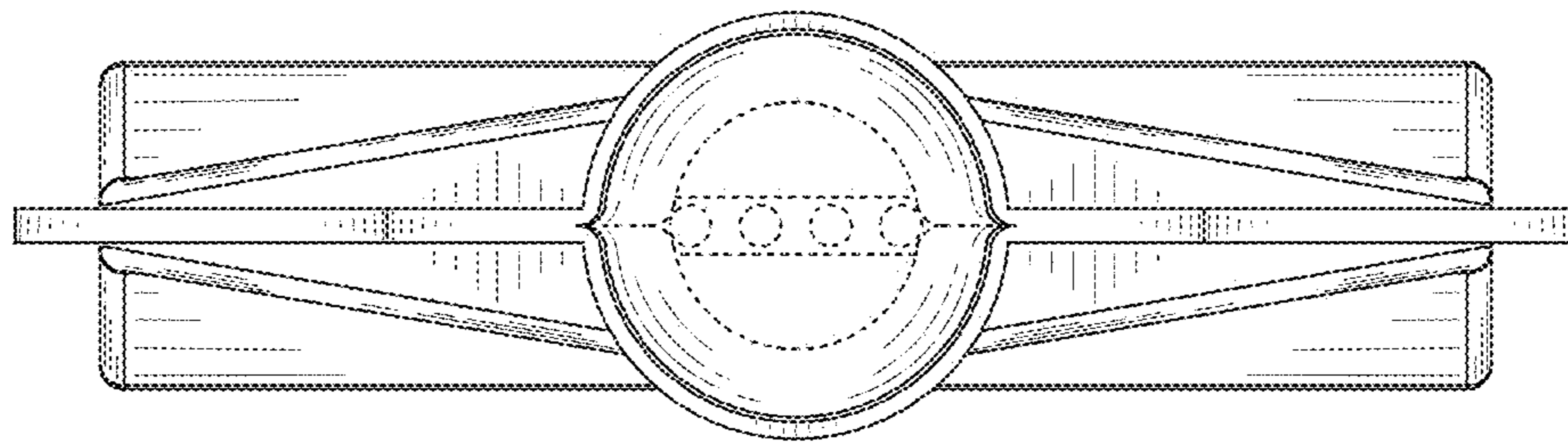


FIG. 6

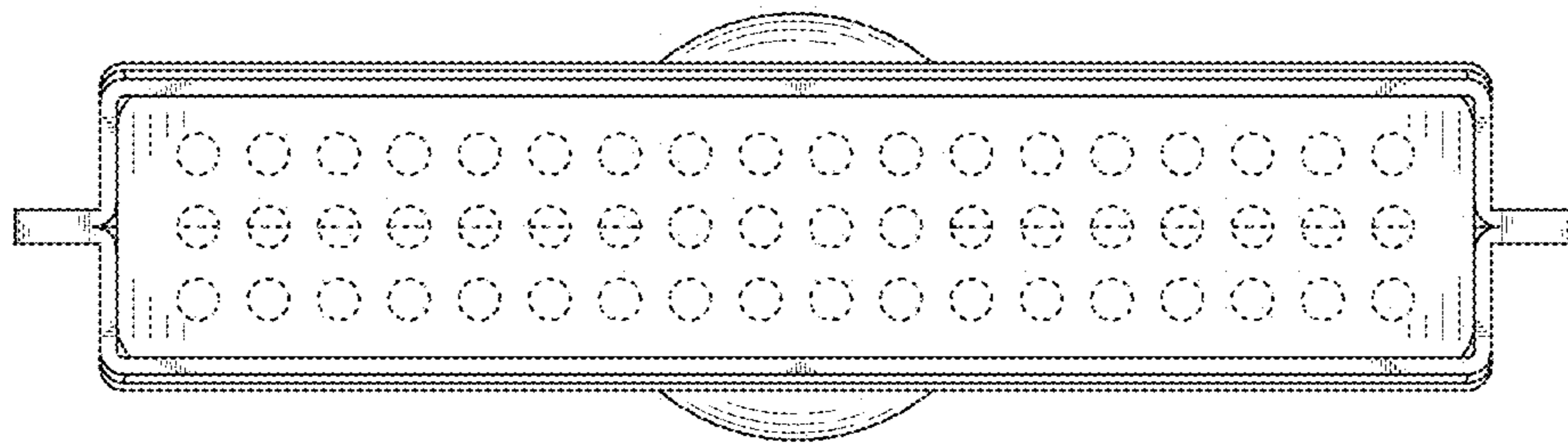


FIG. 7

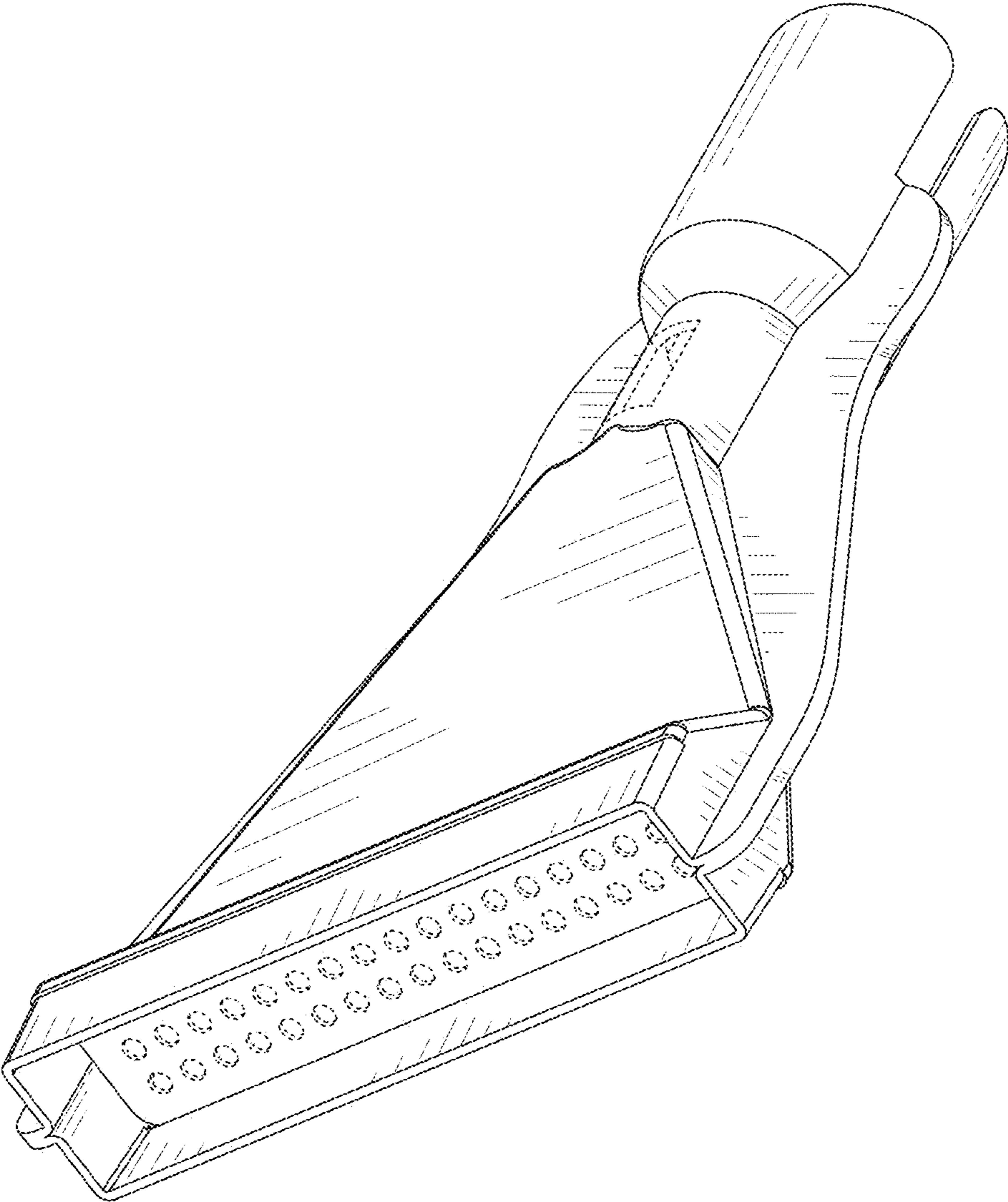


FIG. 8