



US00D984502S

(12) **United States Design Patent**
Liu et al.

(10) **Patent No.:** **US D984,502 S**
(45) **Date of Patent:** **** Apr. 25, 2023**

(54) **HEAT PRESS MACHINE**

(71) Applicant: **Boenn Technologies Inc.**, Hillsborough, NJ (US)

(72) Inventors: **Kaijun Liu**, Bixi Township (CN); **Bo Li**, Basking Ridge, NJ (US); **Fucaï Weng**, Fuzhou (CN)

(73) Assignee: **Boenn Technologies Inc.**, Hillsborough, NJ (US)

(**) Term: **15 Years**

(21) Appl. No.: **29/705,202**

(22) Filed: **Sep. 10, 2019**

(51) **LOC (14) Cl.** **15-09**

(52) **U.S. Cl.**

USPC **D15/144; D15/146**

(58) **Field of Classification Search**

USPC D10/83; D13/123, 133; D15/122, 126, D15/128, 135, 136, 140, 144, 144.1, D15/144.2, 146; D8/29.1

CPC .. B23K 3/0653; B23K 3/087; B23K 2201/42; H05K 3/3457

See application file for complete search history.

(56) **References Cited**

U.S. PATENT DOCUMENTS

D277,864 S * 3/1985 Hoffman, Jr. D15/128
D814,538 S * 4/2018 Page B23K 37/0533
D15/144

D846,611 S * 4/2019 Chi D15/144
D854,064 S * 7/2019 Mayer D15/144
D864,266 S * 10/2019 Chi D15/146
D864,267 S * 10/2019 Chi D15/146
D875,800 S * 2/2020 Chi D15/146
D935,501 S * 11/2021 Li D15/146
2019/0366460 A1* 12/2019 Chi H05K 3/3457

* cited by examiner

Primary Examiner — Michael C Stout

Assistant Examiner — Fitzgerald L Butac

(74) *Attorney, Agent, or Firm* — Seed IP Law Group LLP

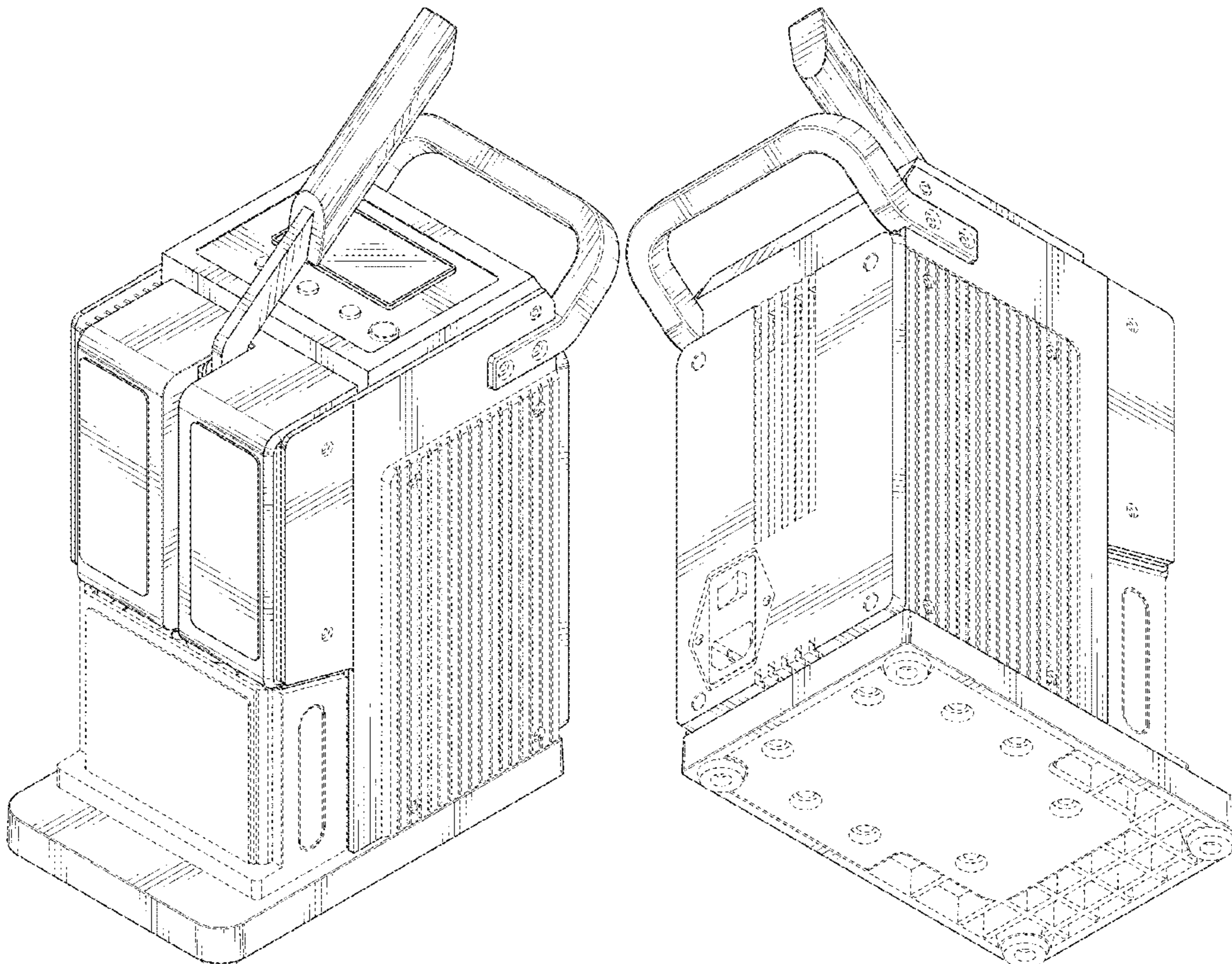
(57) **CLAIM**

The ornamental design for a heat press machine, as shown and described.

DESCRIPTION

FIG. 1 is a top, front, right perspective view of a heat press machine, showing our new design;
FIG. 2 is a bottom, left, rear perspective view thereof;
FIG. 3 is a front elevation view thereof;
FIG. 4 is a rear elevation view thereof;
FIG. 5 is a left side elevation view thereof;
FIG. 6 is a right side elevation view thereof;
FIG. 7 is a top plan view thereof; and,
FIG. 8 is a bottom plan view thereof.
The broken lines show portions of a heat press machine that form no part of the claimed design.

1 Claim, 8 Drawing Sheets



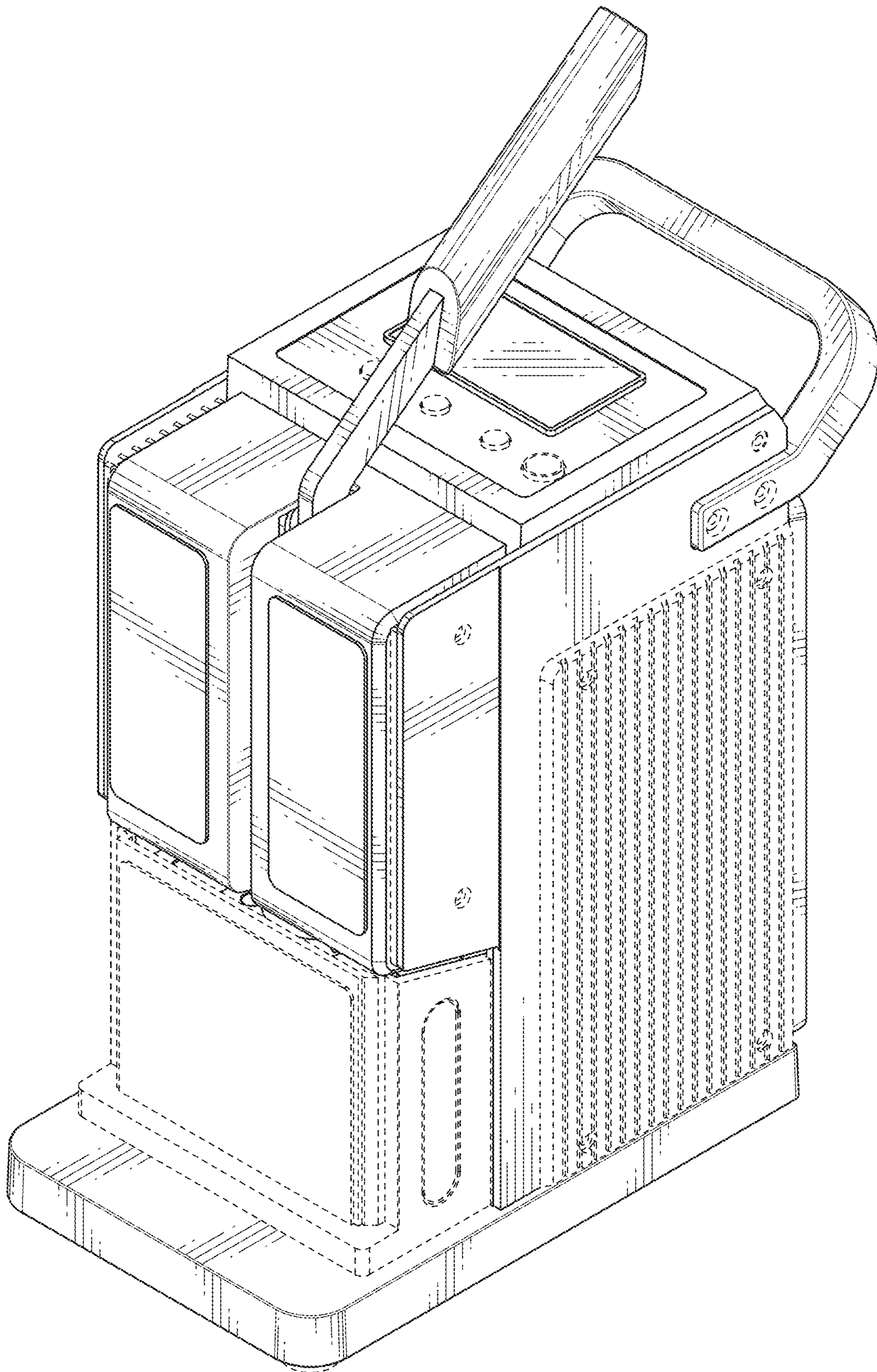


Fig. 1

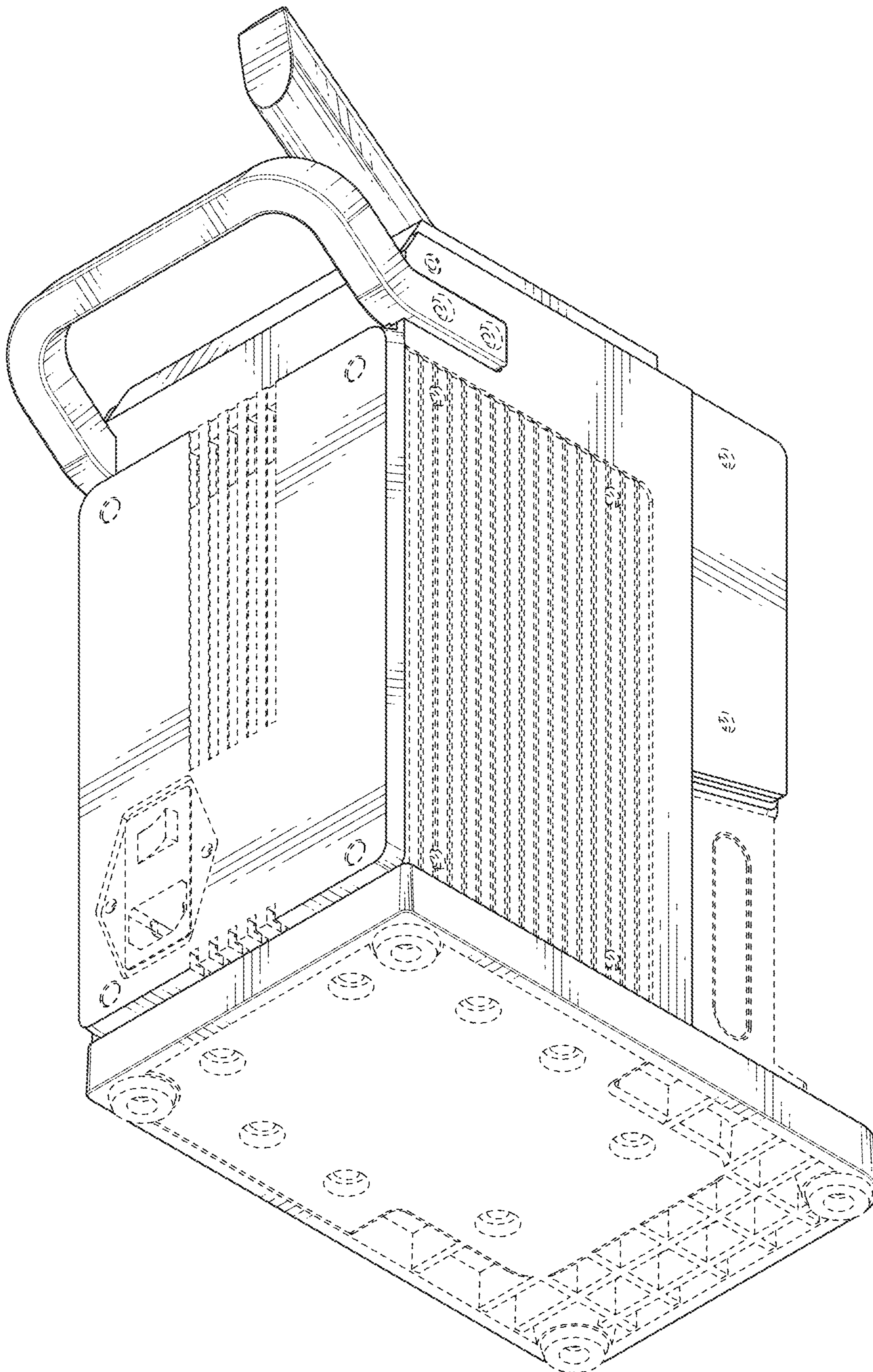


Fig. 2

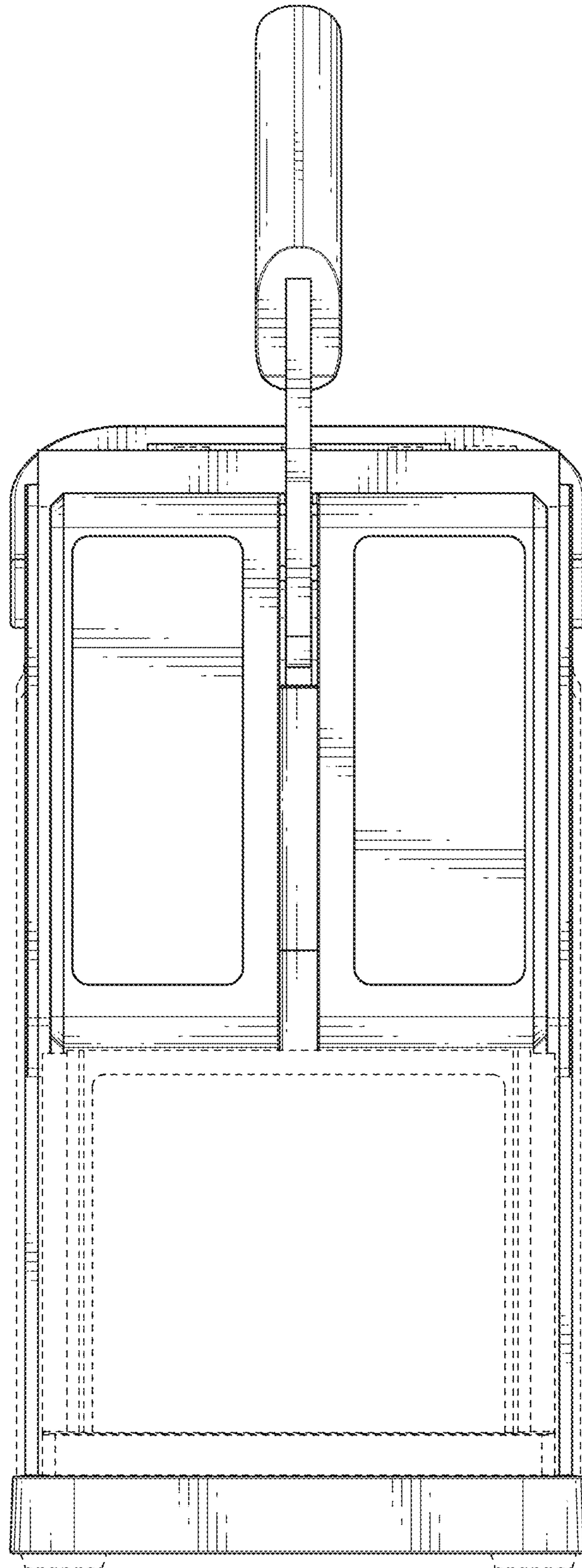


Fig. 3

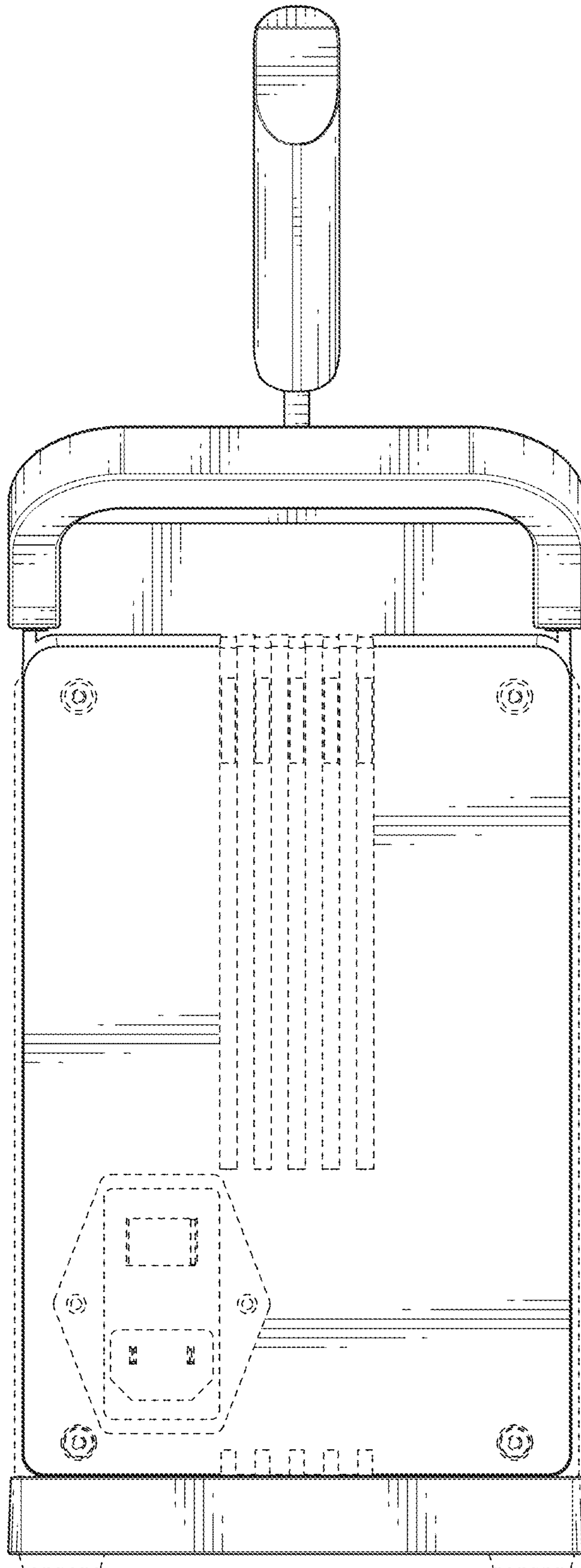


Fig. 4

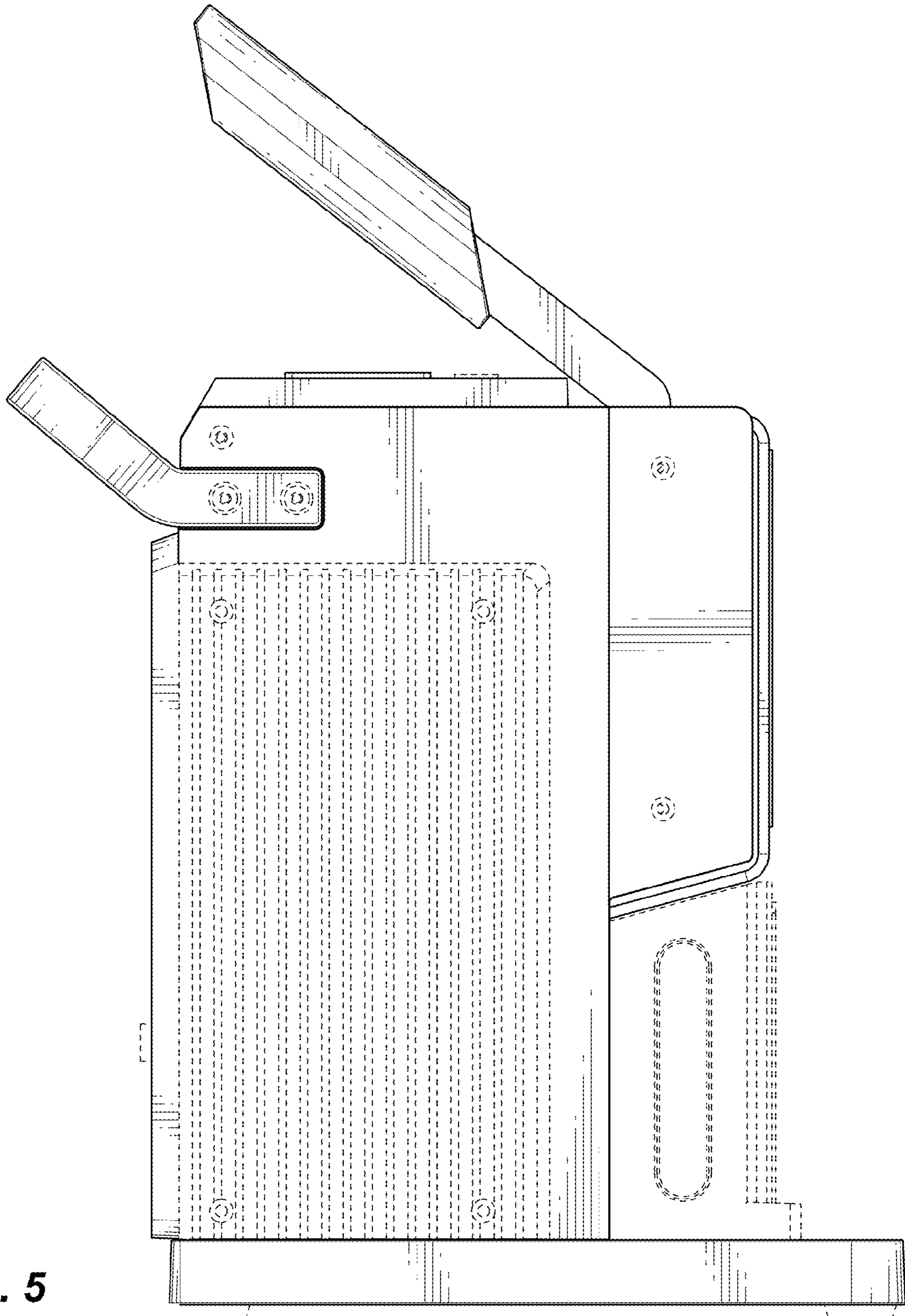


Fig. 5

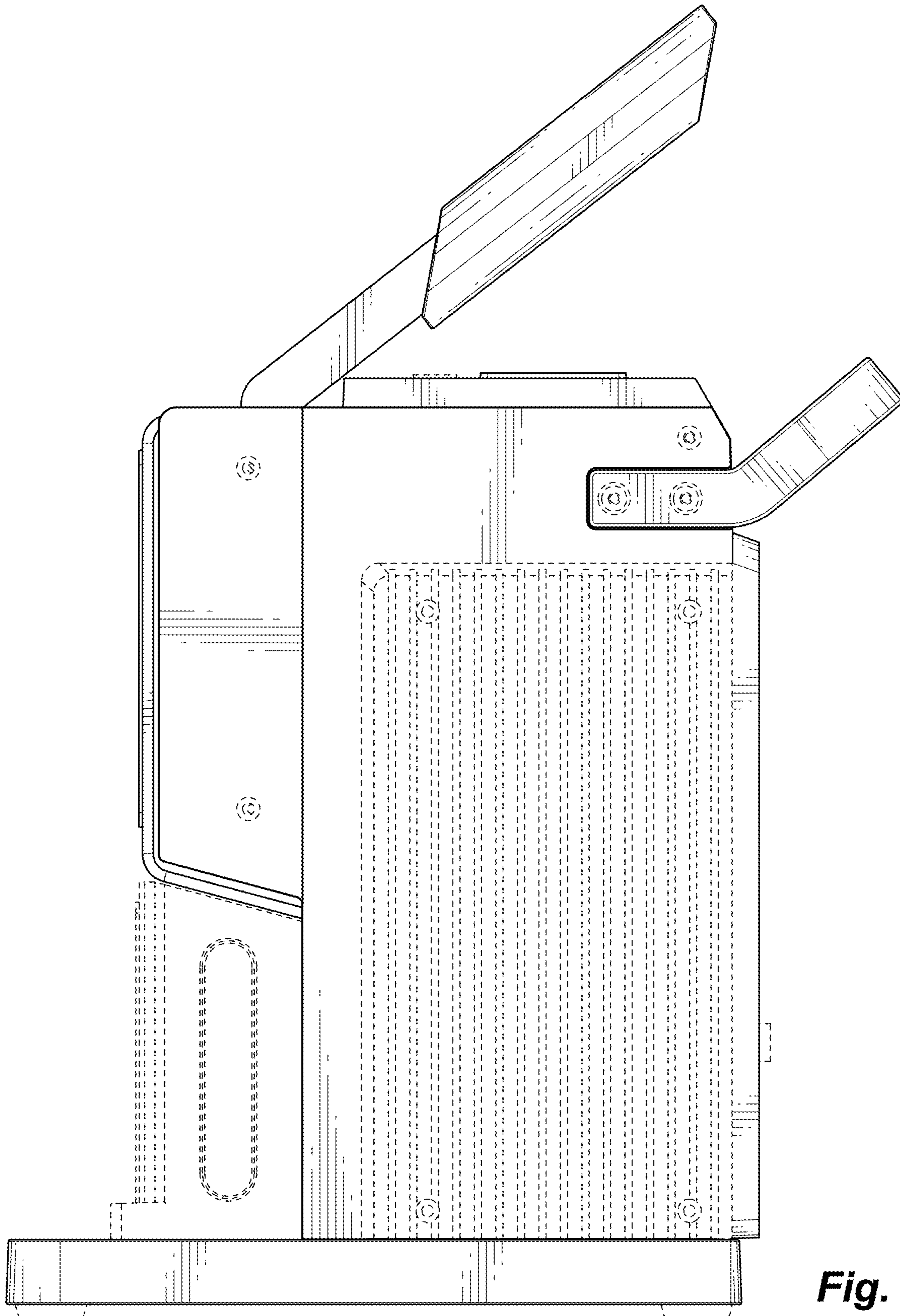


Fig. 6

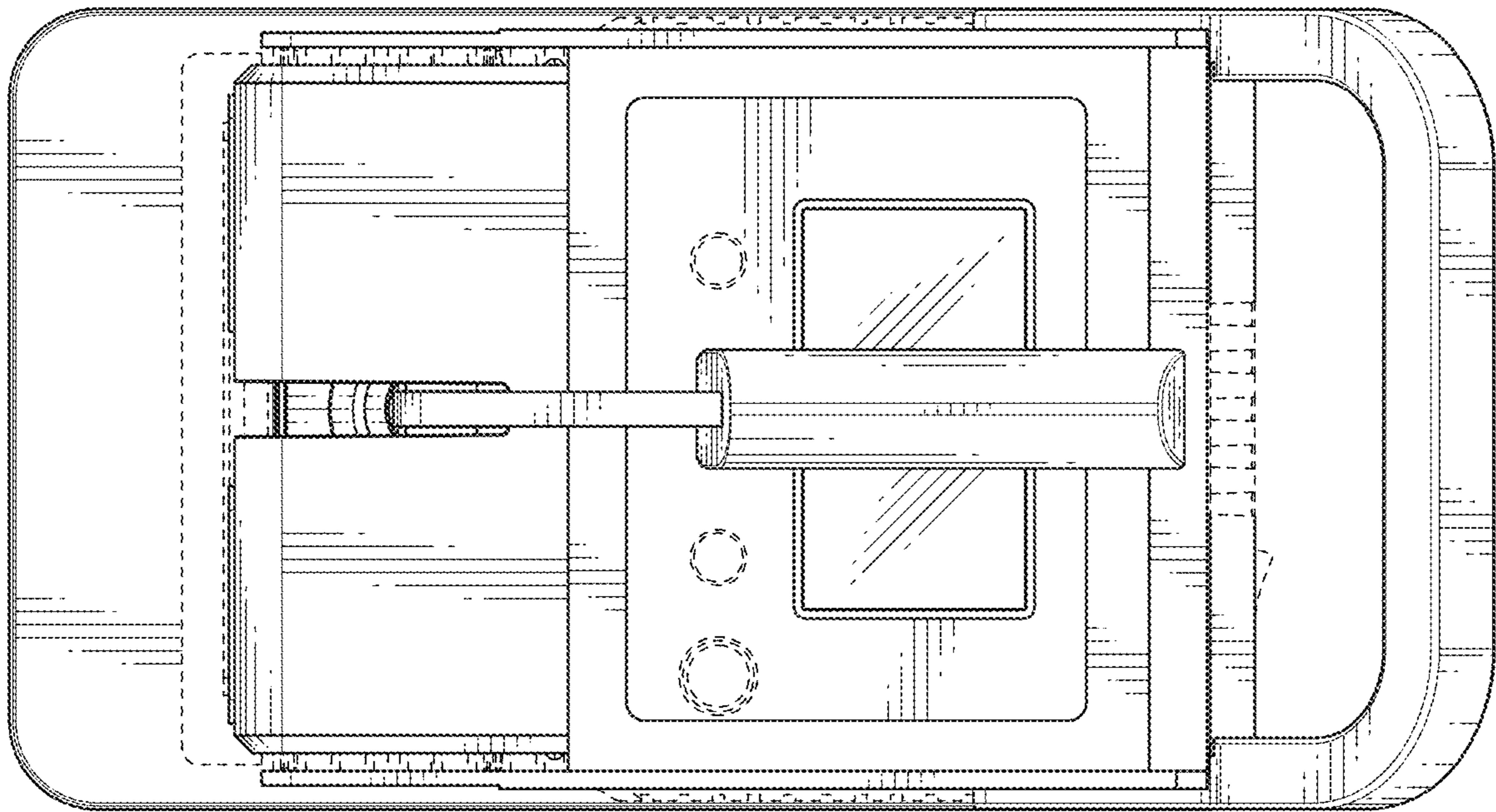


Fig. 7

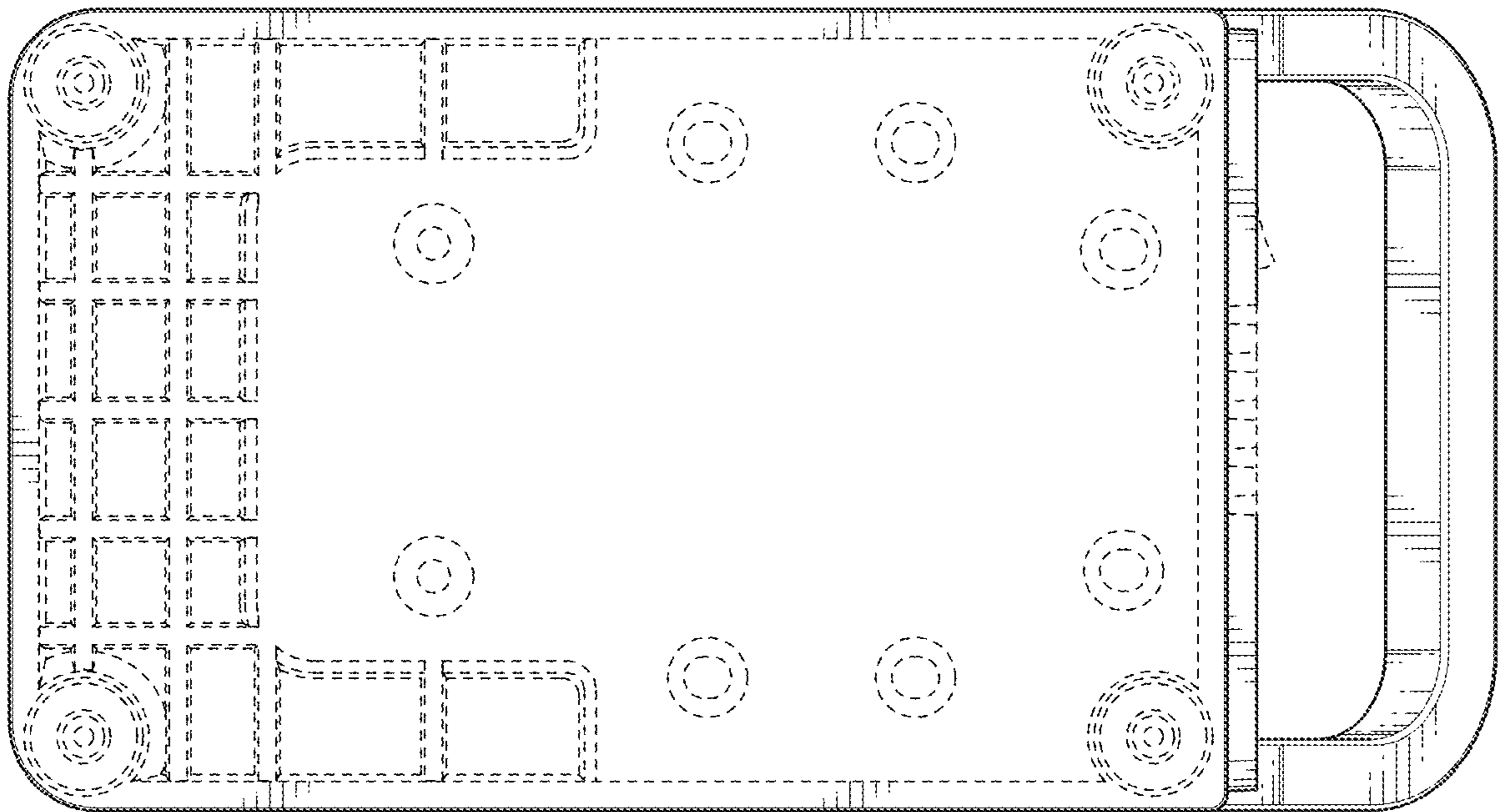


Fig. 8