



US00D984499S

(12) **United States Design Patent**
Dallaire

(10) **Patent No.:** **US D984,499 S**
(45) **Date of Patent:** **** Apr. 25, 2023**

(54) **MANHOLE RISER SLEEVE**
(71) Applicant: **Alberta Wilbert Sales Ltd.**, Edmonton (CA)
(72) Inventor: **David Dallaire**, Edmonton (CA)
(73) Assignee: **ALBERTA WILBERT SALES LTD.**, Edmonton (CA)

6,047,724 A * 4/2000 Nurse, Jr. F16L 5/02
137/236.1
6,773,206 B2 * 8/2004 Bradley E04G 23/0218
52/514
7,347,644 B2 3/2008 Meyers
7,627,992 B1 * 12/2009 Gavin E02D 29/12
52/592.6
7,966,786 B2 6/2011 Koteskey
(Continued)

(**) Term: **15 Years**

FOREIGN PATENT DOCUMENTS

(21) Appl. No.: **29/773,525**

CA 2 778 146 C 11/2012

(22) Filed: **Mar. 10, 2021**

OTHER PUBLICATIONS

(51) **LOC (14) Cl.** **15-09**

Riser Wrap, available in wilbert.ca, announced: undated product page [online], [site visited Dec. 8, 2022], Internet URL: https://www.wilbert.ca/wp-content/uploads/2020/11/AWS_RISER_WRAP_INFO.pdf (Year: 2022).*

(52) **U.S. Cl.**
USPC **D15/135**

(58) **Field of Classification Search**
USPC D15/135, 138; D25/35, 36, 199;
D8/346, 330; D9/444, 435, 452, 453
CPC .. E02D 1/00; E02D 5/60; E02D 29/14; E02D
2450/00; E02D 2220/00; E02D 2250/00;
E02D 2250/0007; E02D 2300/00; E02D
2300/0045; F16L 5/00; F16L 5/02; F16L
5/10; F16L 3/08; F16L 3/10; F16L 3/26
See application file for complete search history.

Primary Examiner — Calvin E Vansant
Assistant Examiner — Eidiol Ghigliotty Torres
(74) *Attorney, Agent, or Firm* — Holzer Patel Drennan

(57) **CLAIM**

The ornamental design for a manhole riser sleeve, as shown and described.

(56) **References Cited**

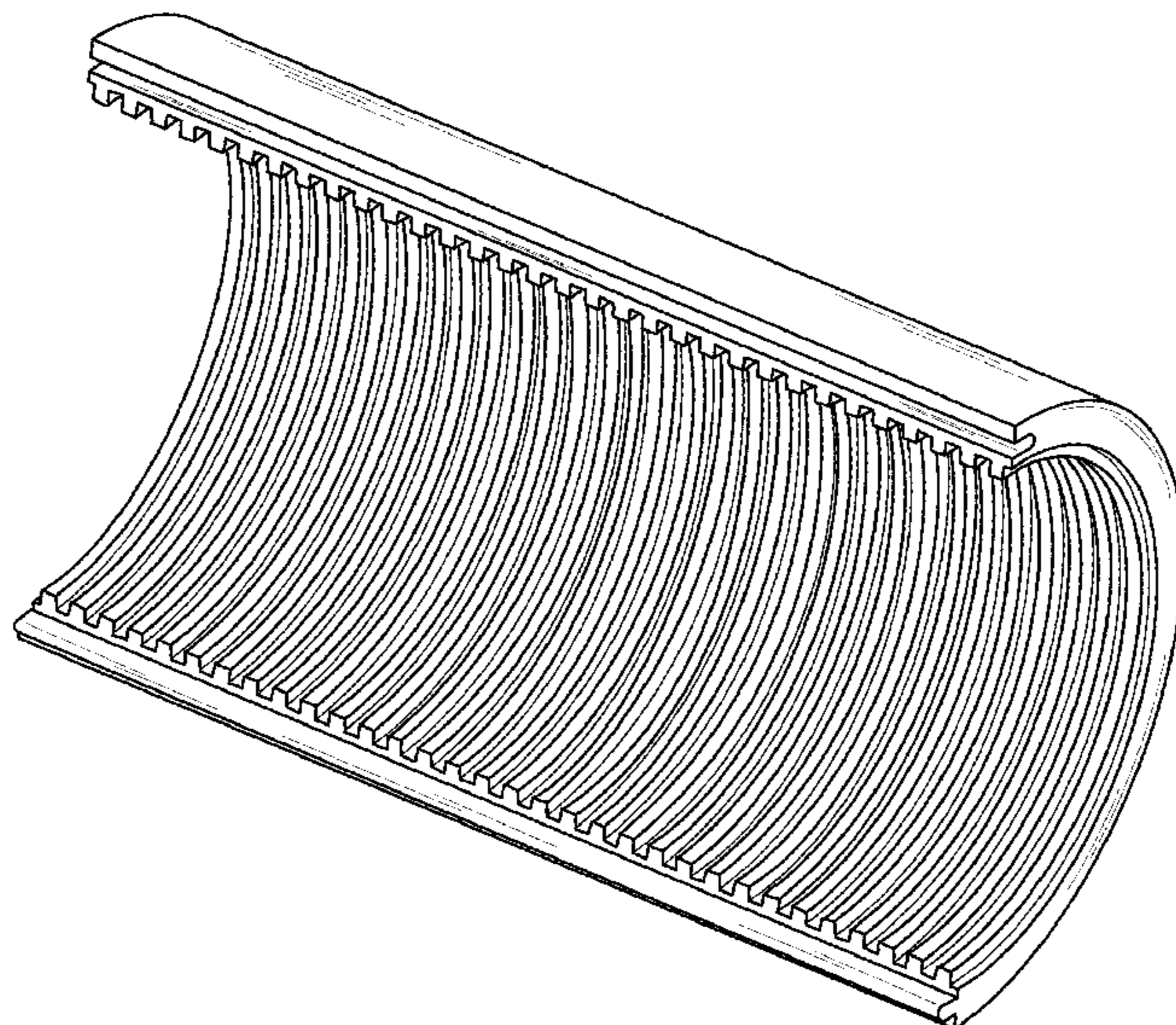
DESCRIPTION

U.S. PATENT DOCUMENTS

4,310,372 A * 1/1982 Janssen F16L 37/252
166/227
4,352,512 A * 10/1982 Janssen F16L 47/06
166/227
4,850,136 A * 7/1989 Vollers A01G 9/02
47/66.2
5,608,998 A * 3/1997 Hume E02D 29/12
52/592.1
5,800,648 A * 9/1998 House E02D 29/12
404/26
5,876,533 A * 3/1999 House E02D 31/02
428/343

FIG. 1 is a front-left-top perspective view of a manhole riser sleeve showing my new design.
FIG. 2 is a right side elevational view of the manhole riser sleeve.
FIG. 3 is a left side elevational view of the manhole riser sleeve.
FIG. 4 is a front-left perspective view of the manhole riser sleeve.
FIG. 5 is a front plan view of the manhole riser sleeve; and, FIG. 6 is a back plan view of the manhole riser sleeve.

1 Claim, 6 Drawing Sheets



(56)

References Cited

U.S. PATENT DOCUMENTS

8,813,447 B2 * 8/2014 Sabillon E04F 21/00
249/39
11,021,848 B1 * 6/2021 McKinney E03F 5/18
2004/0261343 A1 * 12/2004 Koteskey E02D 29/121
52/483.1
2010/0242377 A1 * 9/2010 Koteskey E02D 29/12
52/169.1
2012/0317891 A1 * 12/2012 Koteskey E02D 29/121
52/741.1

* cited by examiner

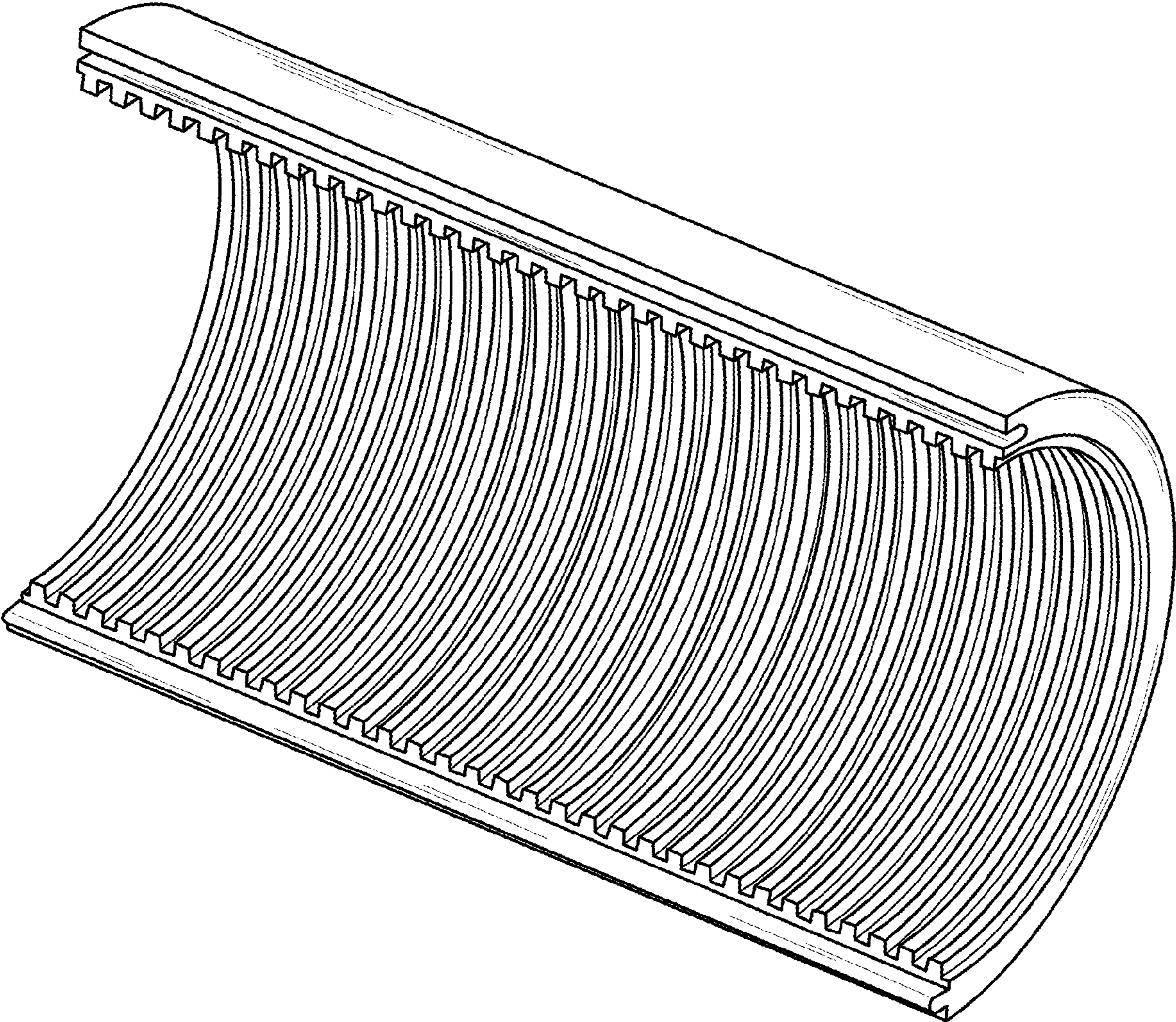


FIG. 1

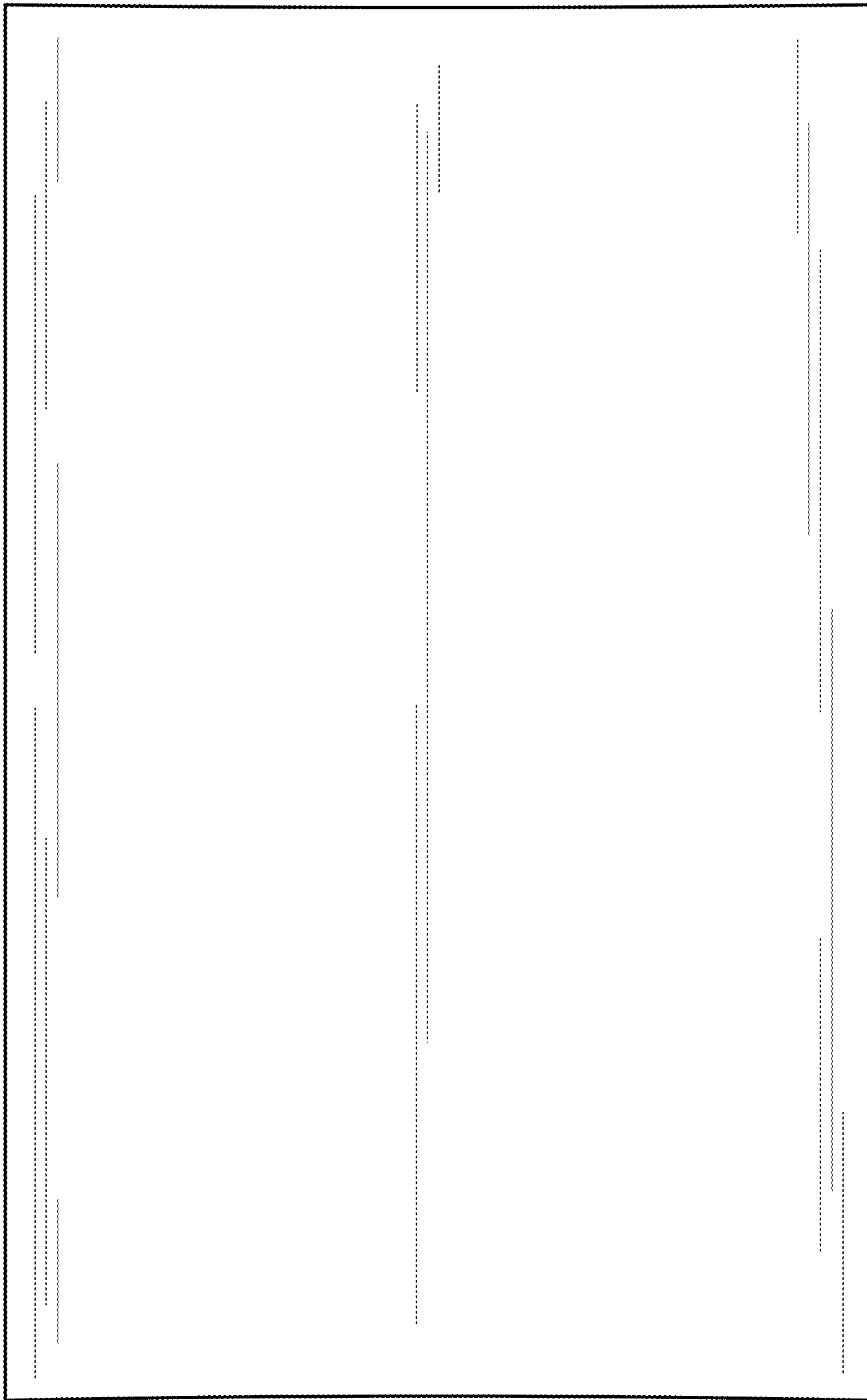


FIG. 2

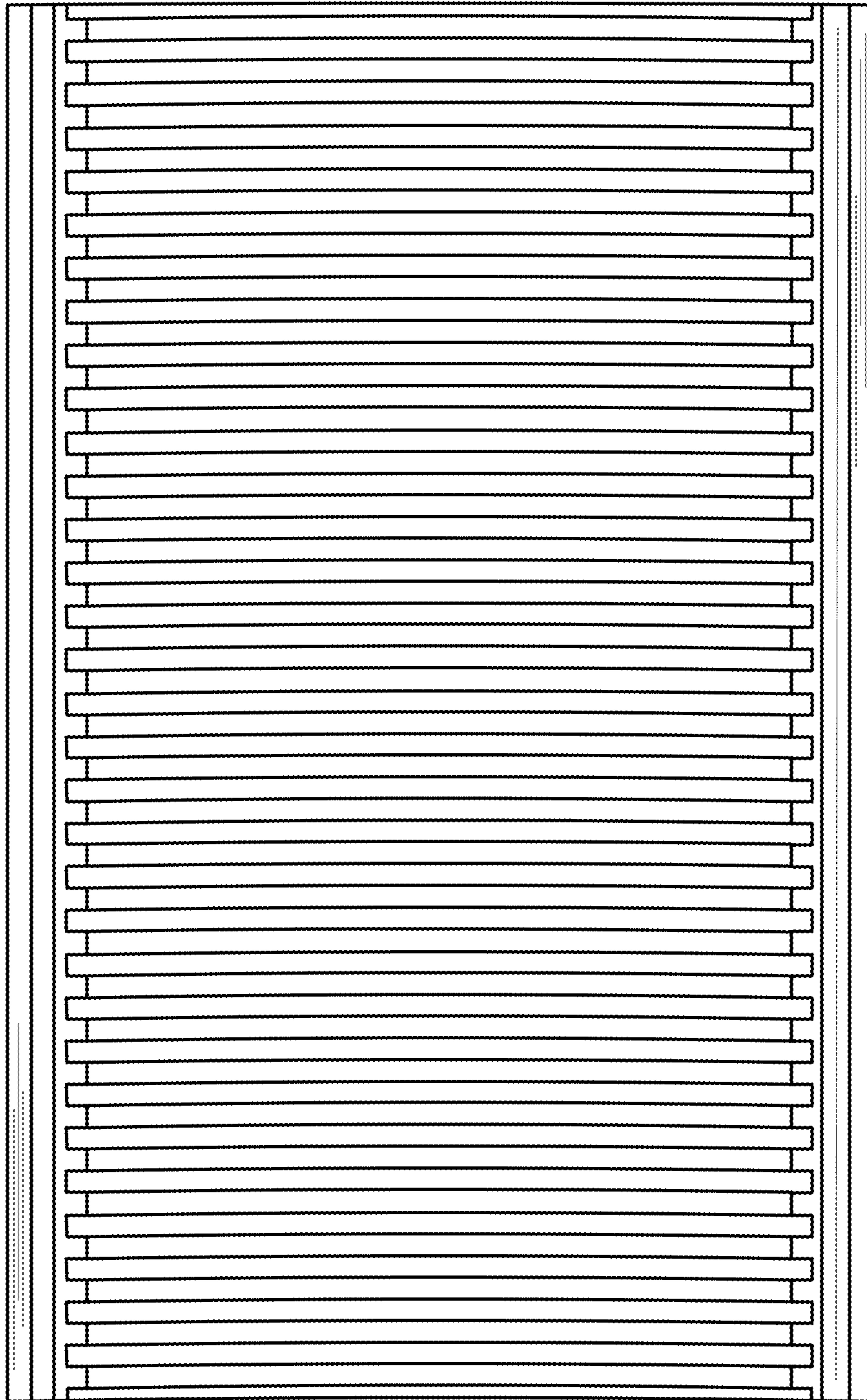


FIG. 3

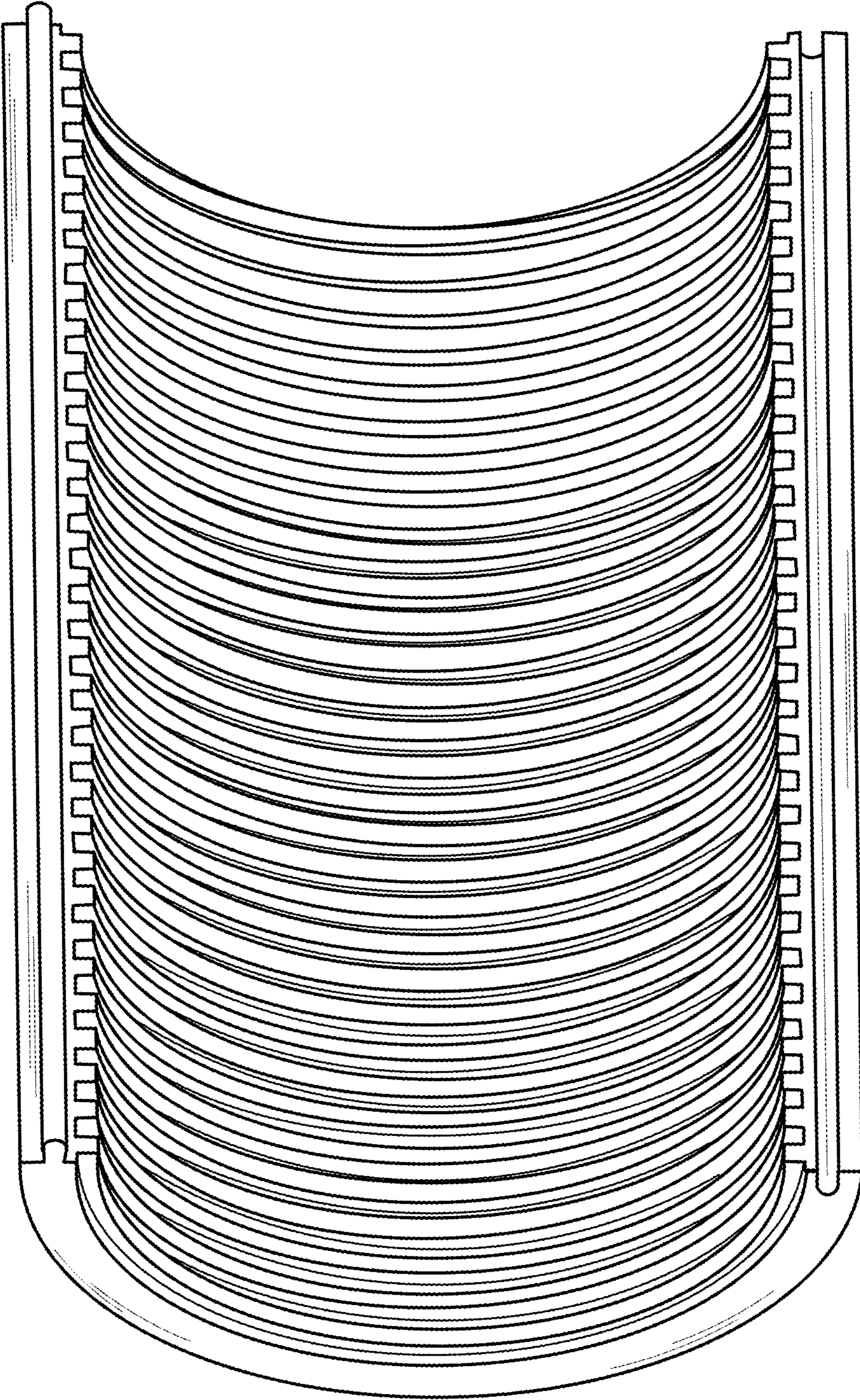


FIG. 4

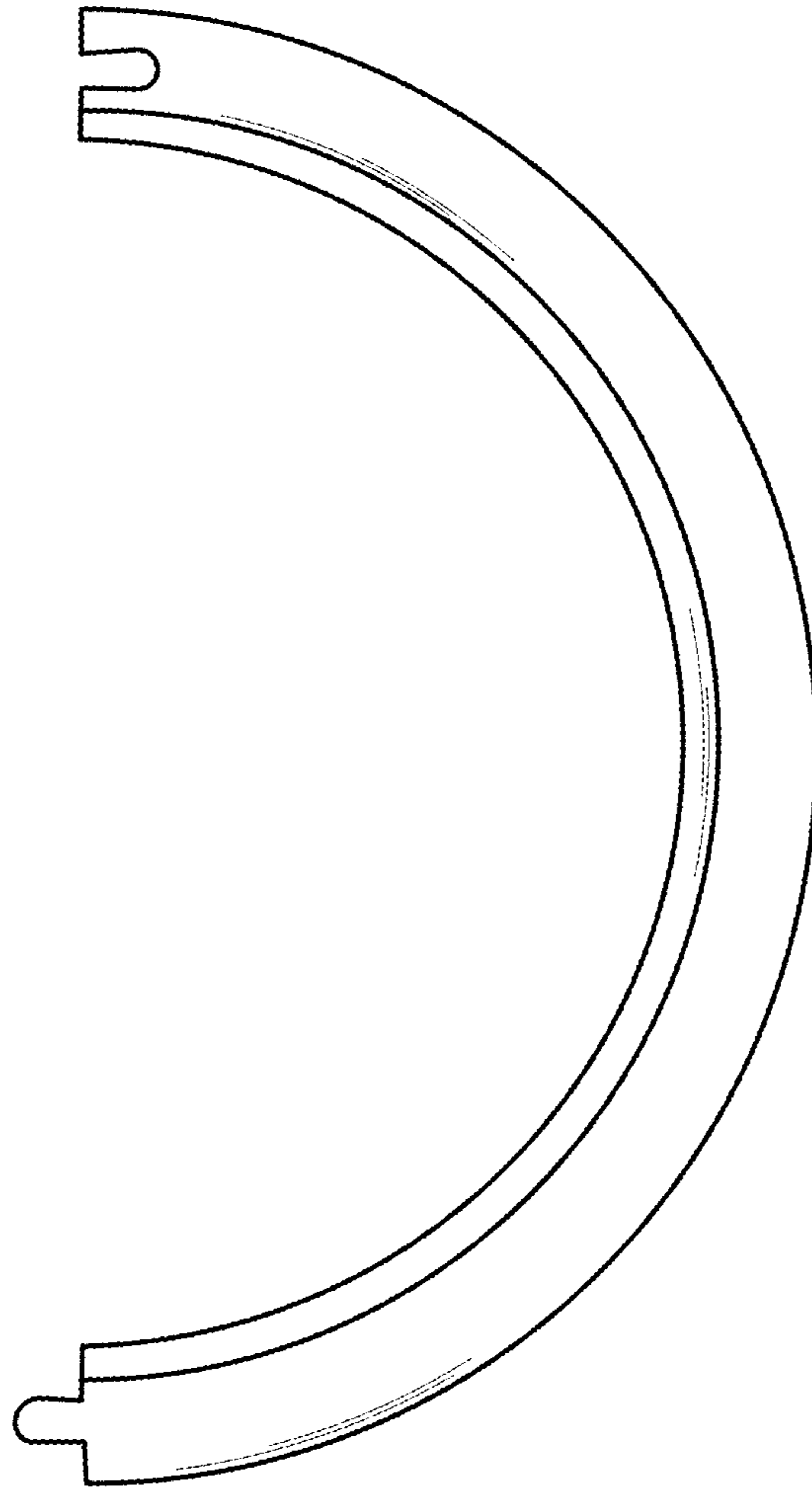


FIG. 5

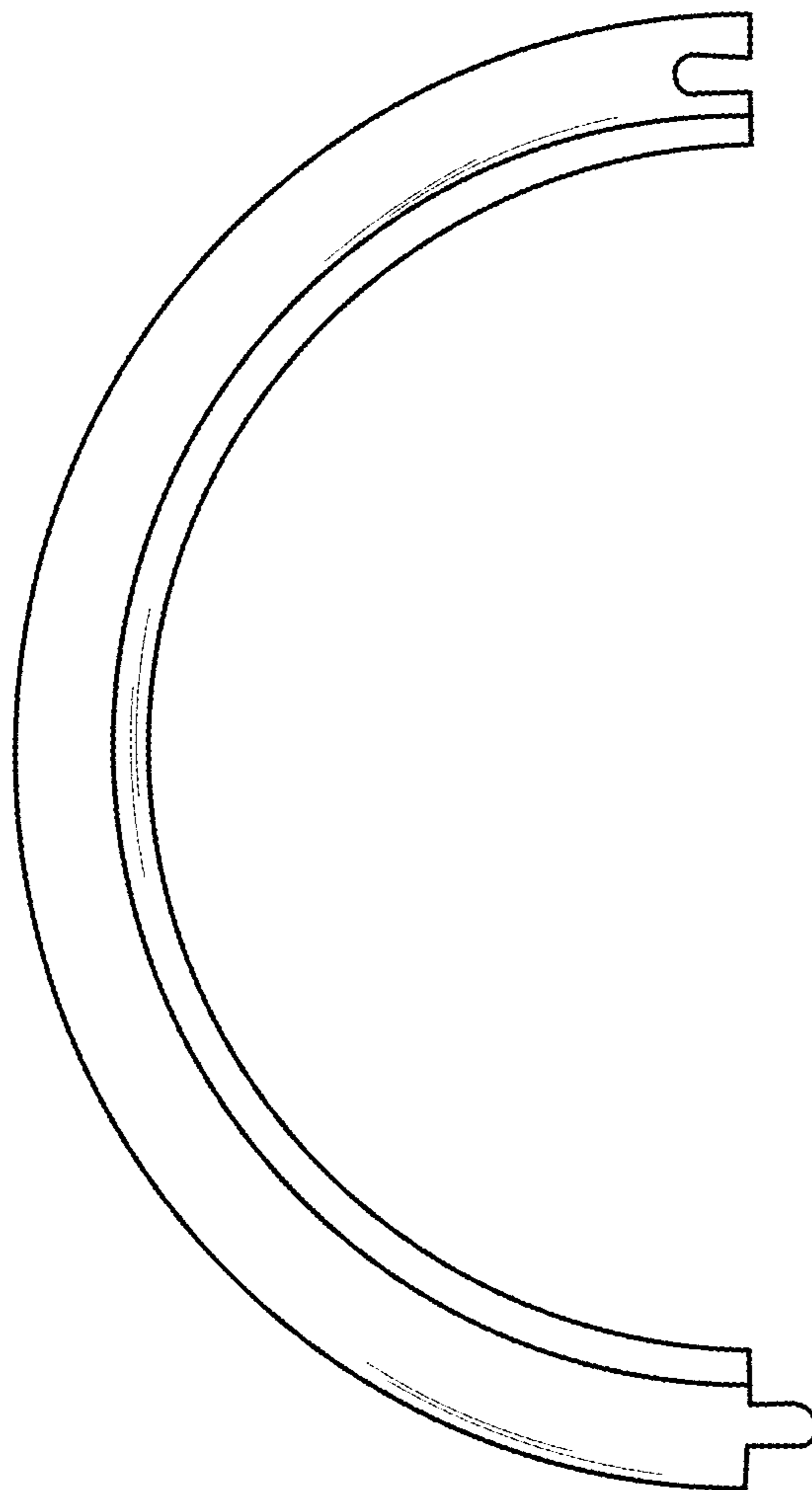


FIG. 6