



US00D984498S

(12) **United States Design Patent**
Hehl et al.

(10) **Patent No.:** **US D984,498 S**

(45) **Date of Patent:** **** Apr. 25, 2023**

(54) **INJECTION MOLDING MACHINE**

(56) **References Cited**

(71) Applicant: **ARBURG GMBH + CO KG**, Loßburg (DE)

U.S. PATENT DOCUMENTS

(72) Inventors: **Juliane Hehl**, Lossburg (DE); **Jürgen Reiner Schmid**, Ammerbuch (DE)

D202,924 S * 11/1965 Jacobs D15/135
D550,257 S * 9/2007 Schad D15/135
D550,258 S * 9/2007 Schad D15/135

(73) Assignee: **ARBURG GMBH + CO KG**, Lossburg (DE)

(Continued)

(**) Term: **15 Years**

Primary Examiner — Khawaja Anwar

(21) Appl. No.: **29/715,037**

(74) *Attorney, Agent, or Firm* — Cantor Colburn LLP

(22) Filed: **Nov. 27, 2019**

(57) **CLAIM**

Related U.S. Application Data

We claim, the ornamental design for an injection molding machine, as shown and described.

(62) Division of application No. 29/601,068, filed on Apr. 18, 2017, now Pat. No. Des. 880,546.

DESCRIPTION

(30) **Foreign Application Priority Data**

Oct. 18, 2016 (DE) 40 2016 101 284.4

(51) **LOC (14) Cl.** **15-01**

(52) **U.S. Cl.**
USPC **D15/135**

(58) **Field of Classification Search**

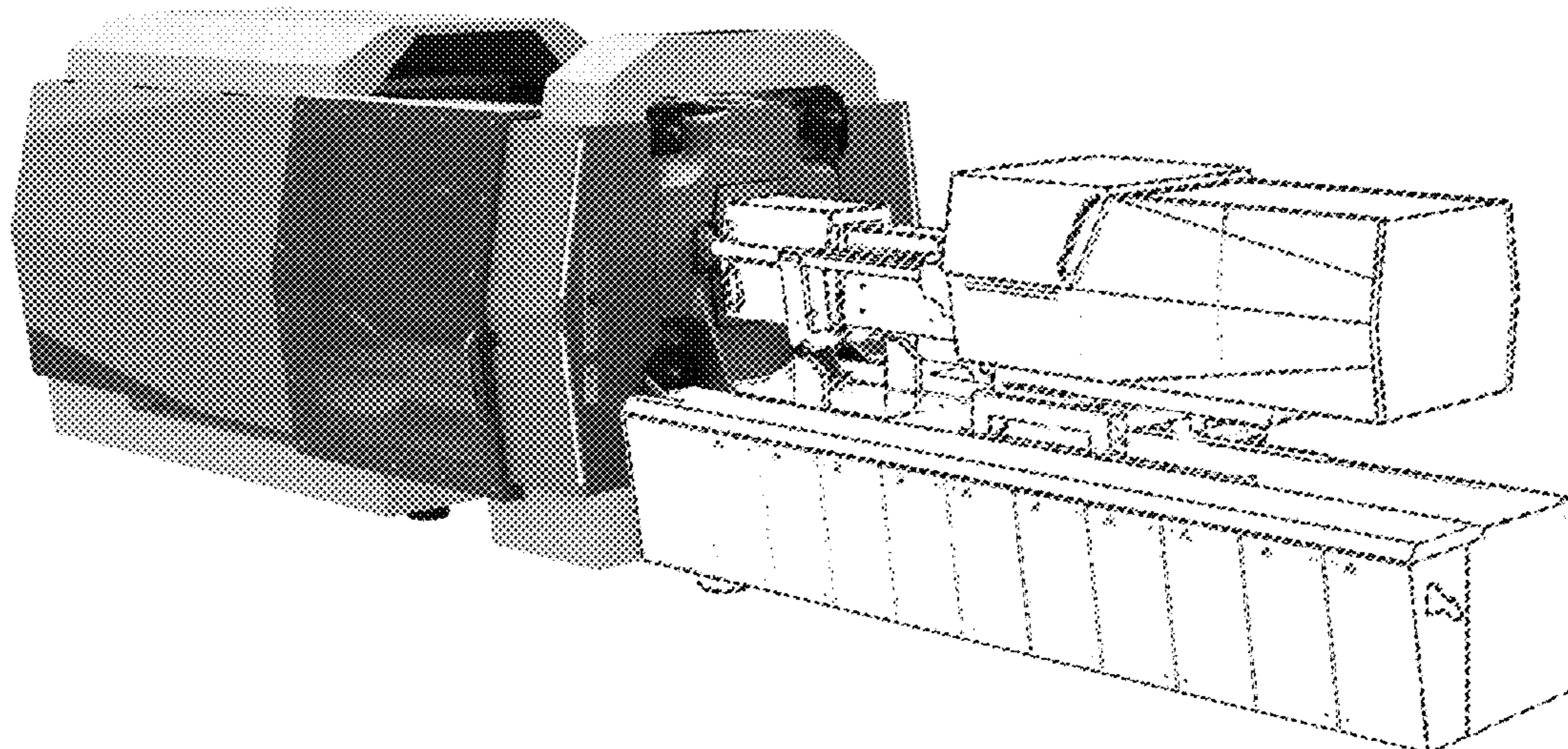
USPC D15/122, 135, 136, 137, 138, 141, 142, D15/199; D12/1, 2, 8; D8/313; D7/339–341, 348–349, 402–404
CPC B29C 45/0001; B29C 2043/3427; B29C 2043/3494; B29C 2045/0006; B29C 2045/0043; B29C 2045/0049; B29C 2045/14803; B29C 2945/76444; B29C 43/24; B29C 45/0005; B29C 45/0025; B29C 45/006; B29C 45/14311; B29C 45/14778; B29C 45/14811; B29C 45/14819; B29C 45/1657; B29C 45/1671; B29C 45/1761; B29C 45/2708; B29C 45/40; B29C 45/401; B29C 45/42; B29C 45/84; B29C 47/0004; B29C 47/0021

See application file for complete search history.

FIG. 1 is a perspective view of an injection molding machine, showing our new design;
FIG. 2 is another perspective view thereof;
FIG. 3 is another perspective view thereof;
FIG. 4 is a side view thereof, the opposite side being a mirror image thereof;
FIG. 5 is a front view thereof;
FIG. 6 is a top view thereof;
FIG. 7 is a rear thereof;
FIG. 8 is a perspective view thereof in another embodiment;
FIG. 9 is another perspective view thereof;
FIG. 10 is another perspective view thereof;
FIG. 11 is a side view thereof, the opposite side being a mirror image thereof;
FIG. 12 is a front view thereof;
FIG. 13 is a top view thereof; and,
FIG. 14 is a rear thereof.

Portions shown in broken lines illustrate environment and form no part of the claimed design. All features within the broken line rectangles shown in FIGS. 6 and 13 constitute environment and form no part of the claimed design.

1 Claim, 14 Drawing Sheets



(56)

References Cited

U.S. PATENT DOCUMENTS

D617,356 S *	6/2010	Wang	D15/135
D661,714 S *	6/2012	Waterhouse	D15/135
D703,709 S *	4/2014	Tix	D15/135
D703,710 S *	4/2014	Tix	D15/135
D704,236 S *	5/2014	Tix	D15/135
D765,745 S *	9/2016	Cheung	D15/122
D768,216 S *	10/2016	Funakoshi	D15/135
D768,741 S *	10/2016	Funakoshi	D15/135
D803,909 S *	11/2017	Sakaguchi	D15/135
D819,095 S *	5/2018	Sakaguchi	D15/135
D880,546 S *	4/2020	Hehl	D15/135

* cited by examiner

FIG. 1

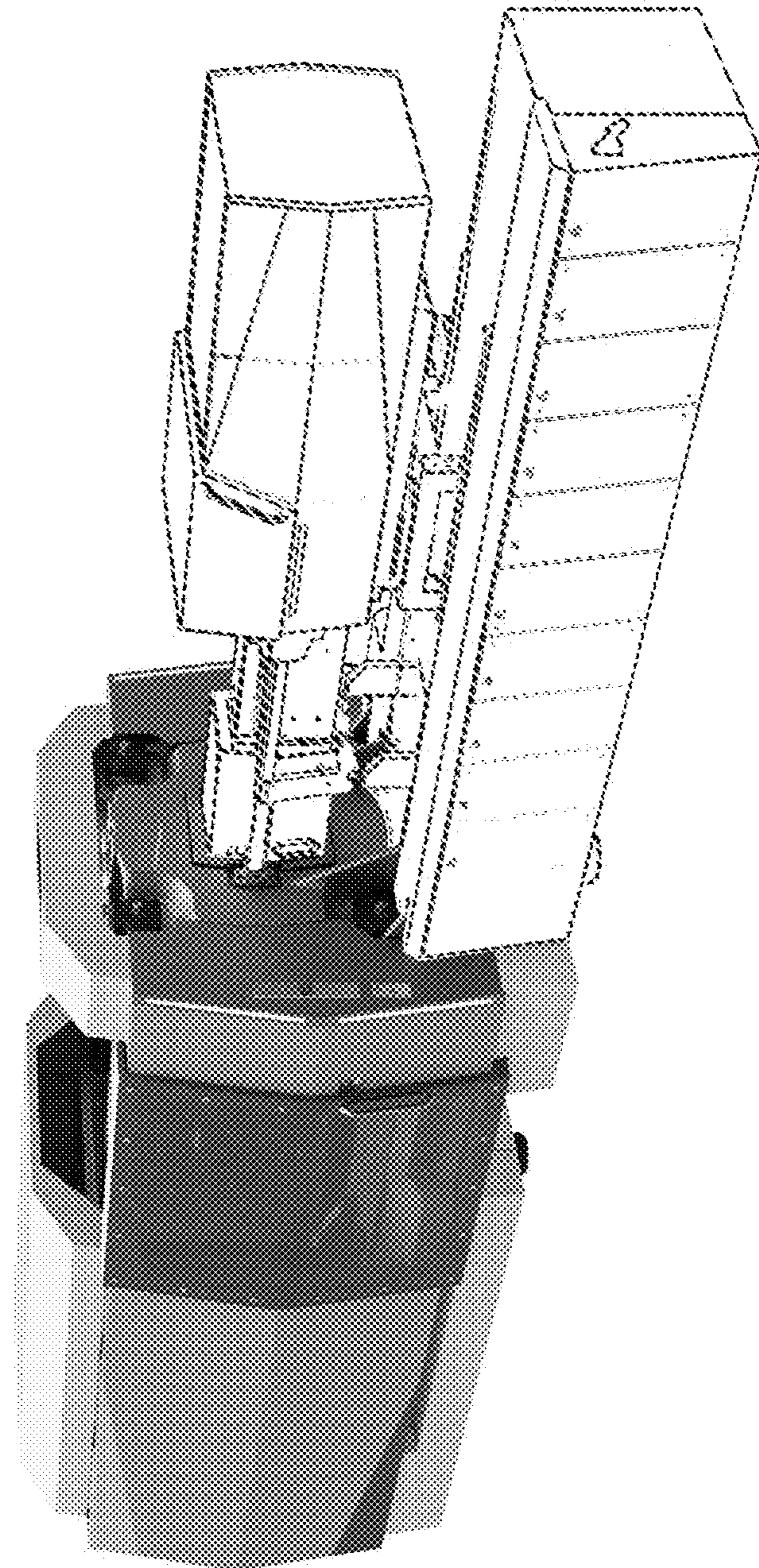


FIG. 2

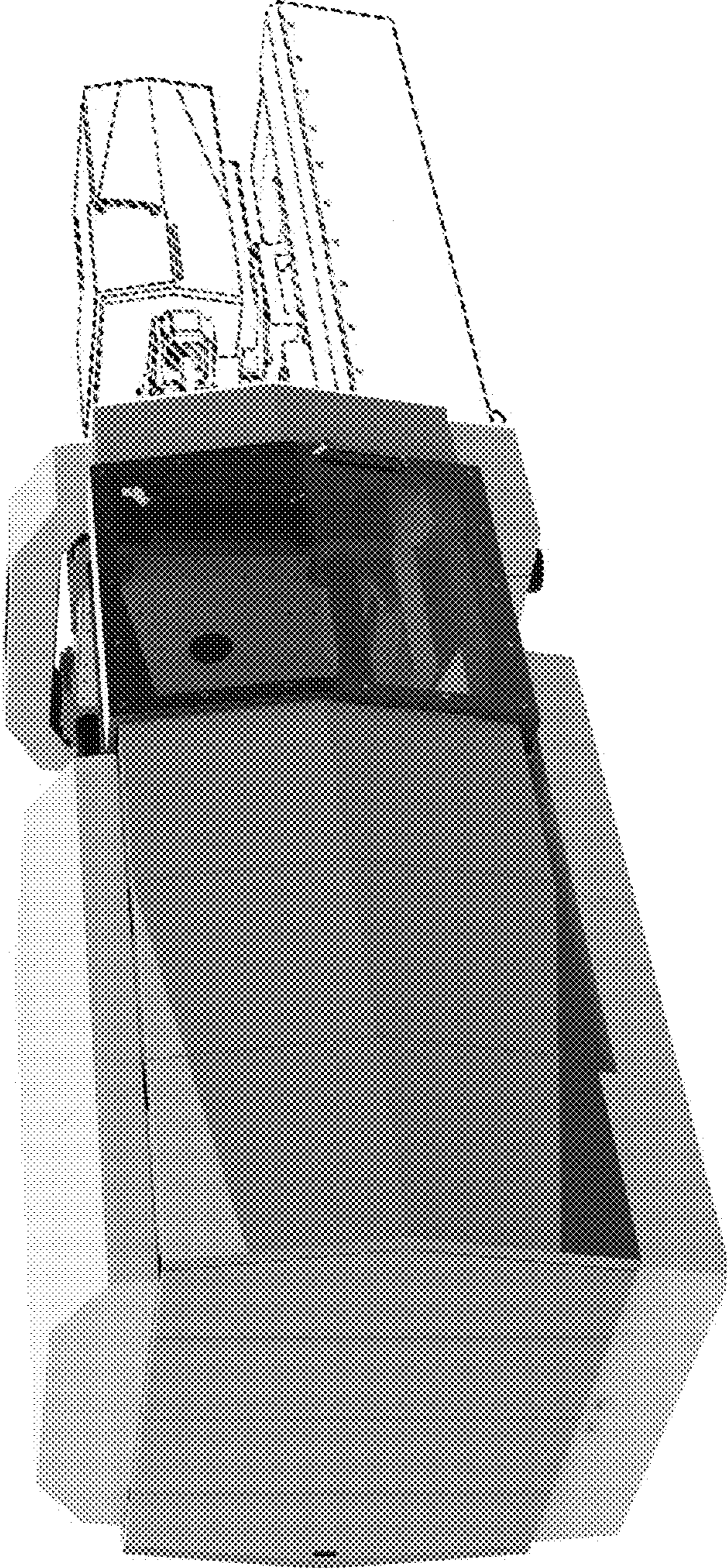


FIG. 3

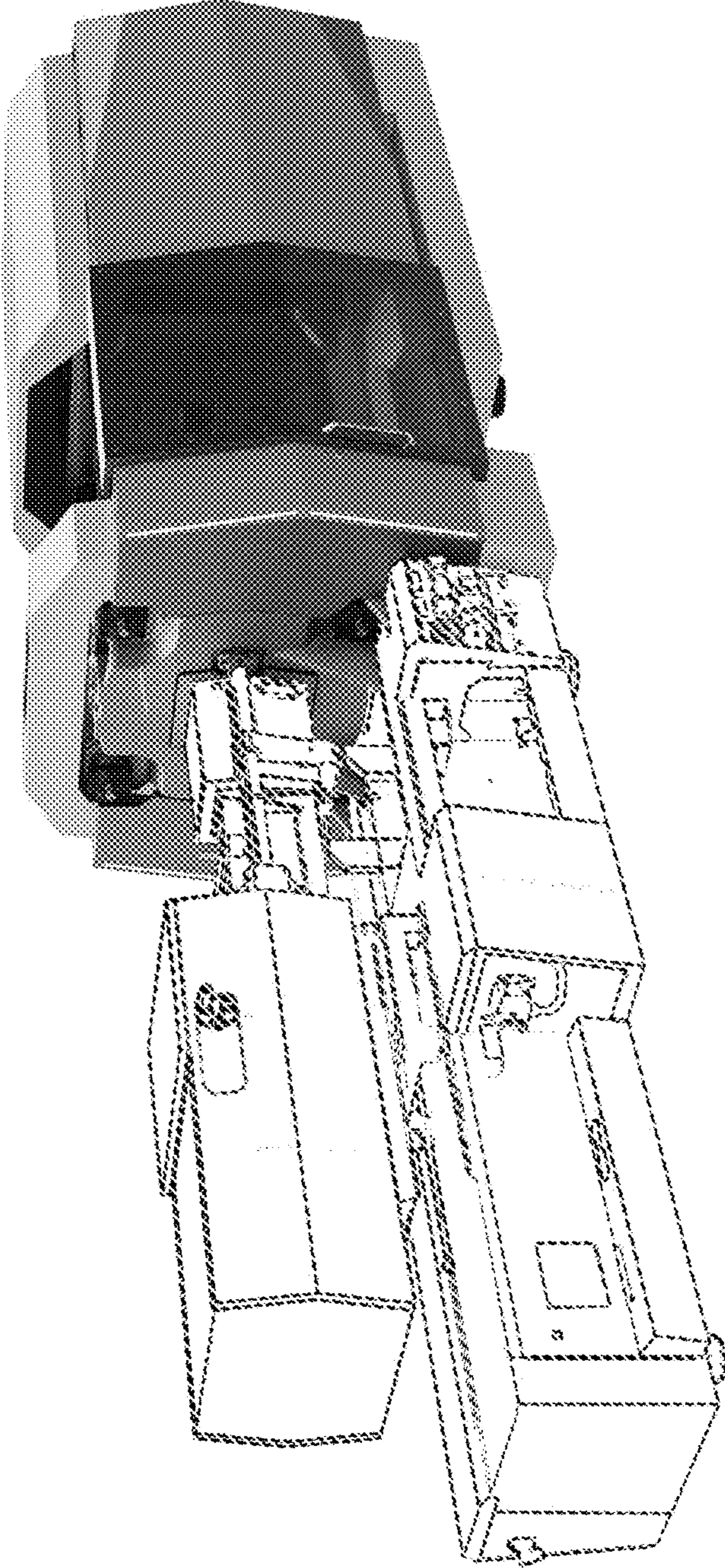


FIG. 4

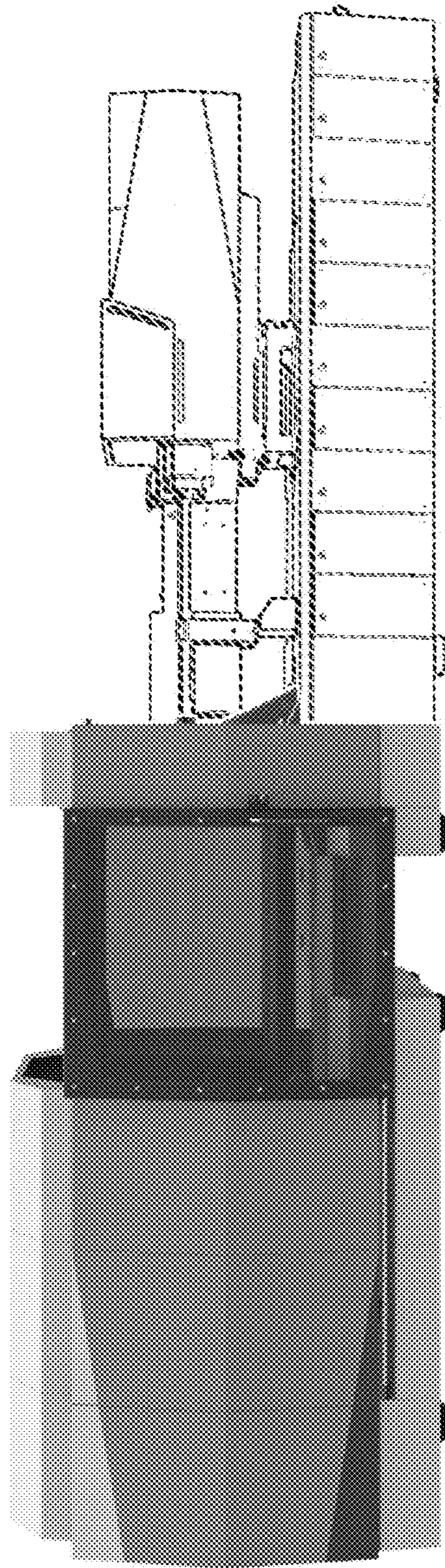


FIG. 5

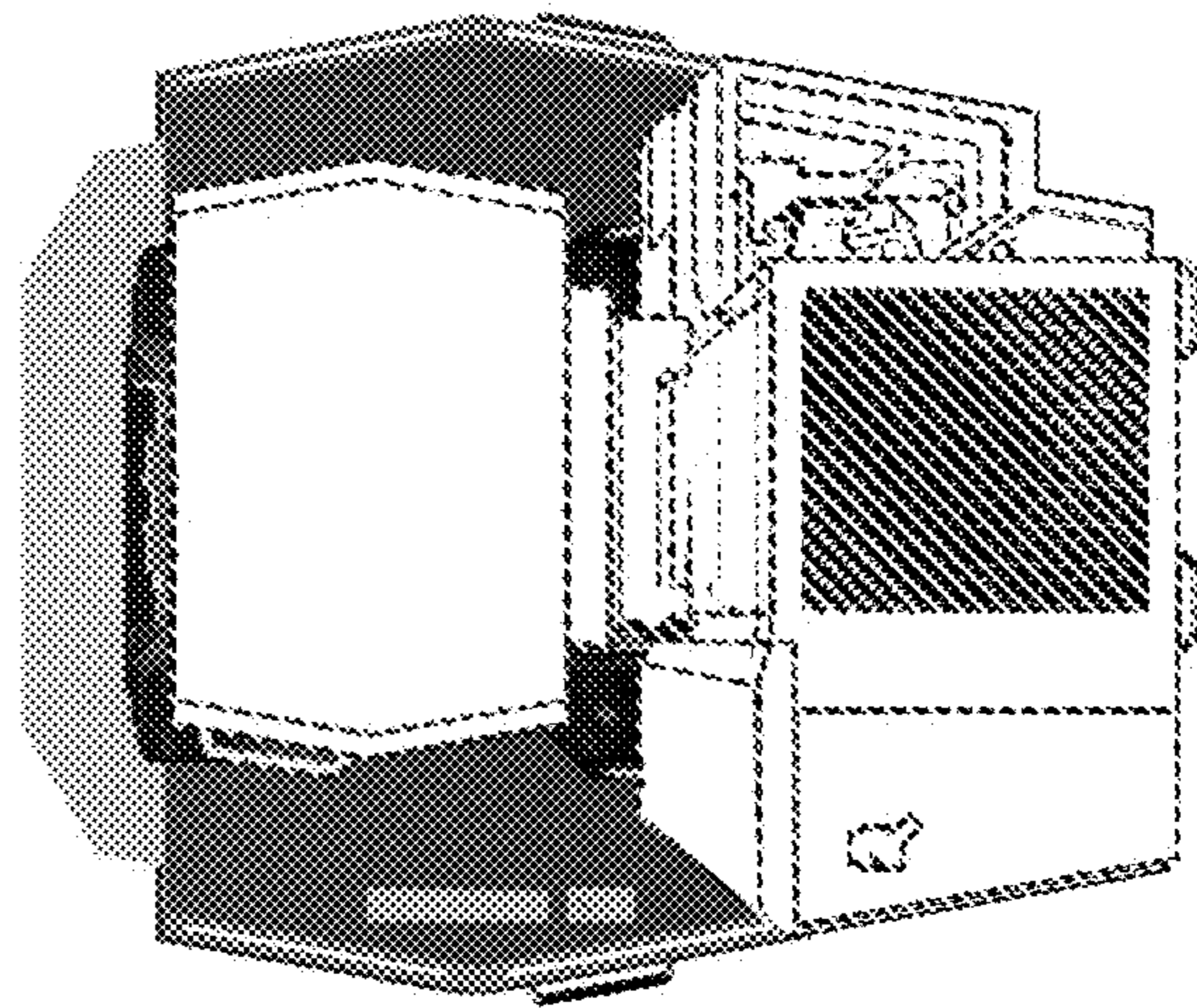


FIG. 6

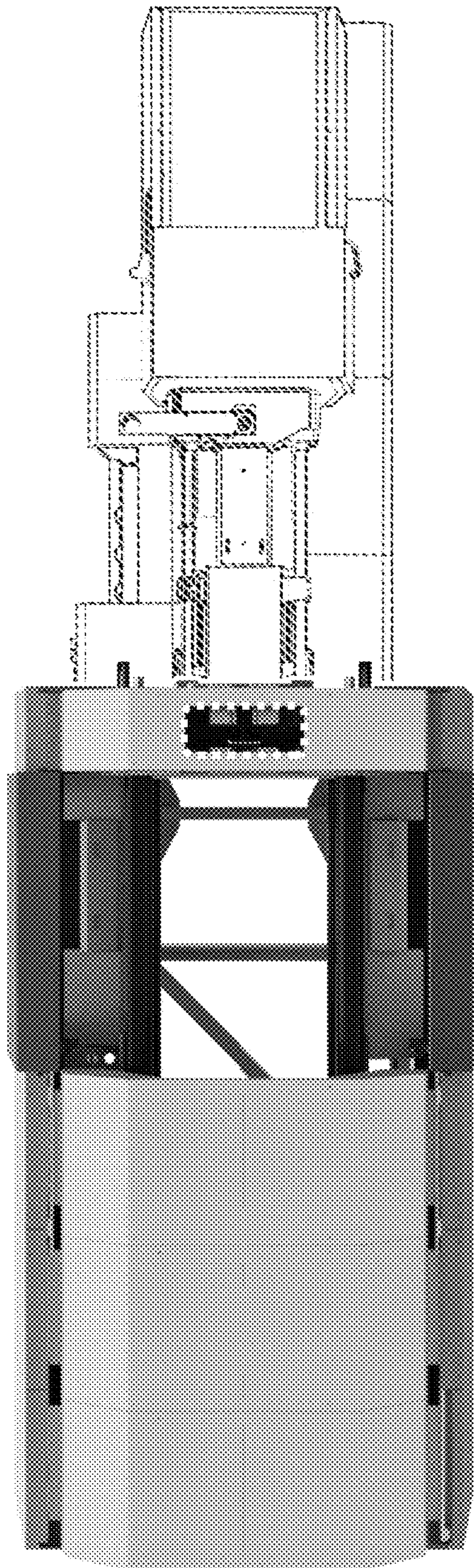


FIG. 7

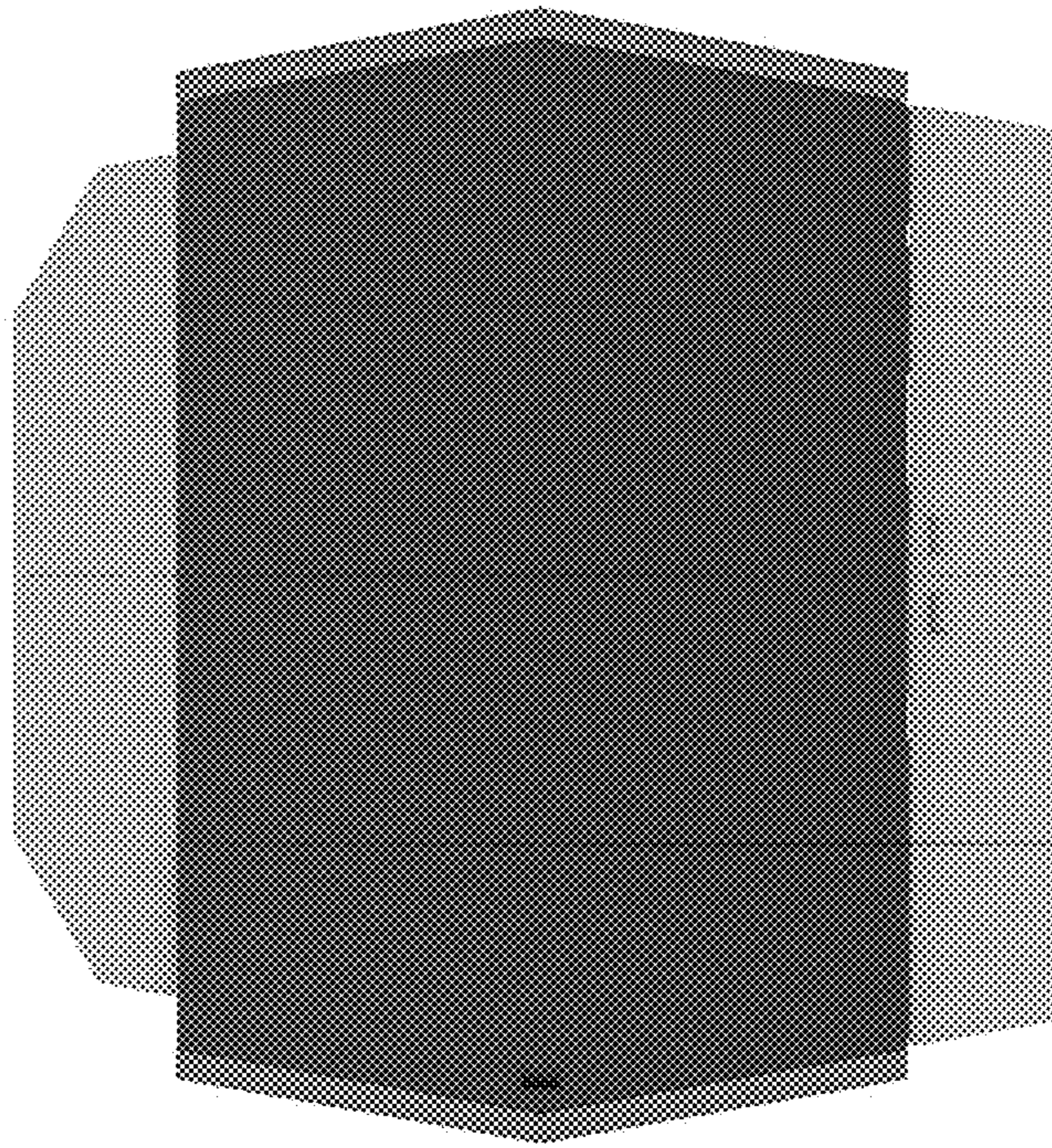


FIG. 8

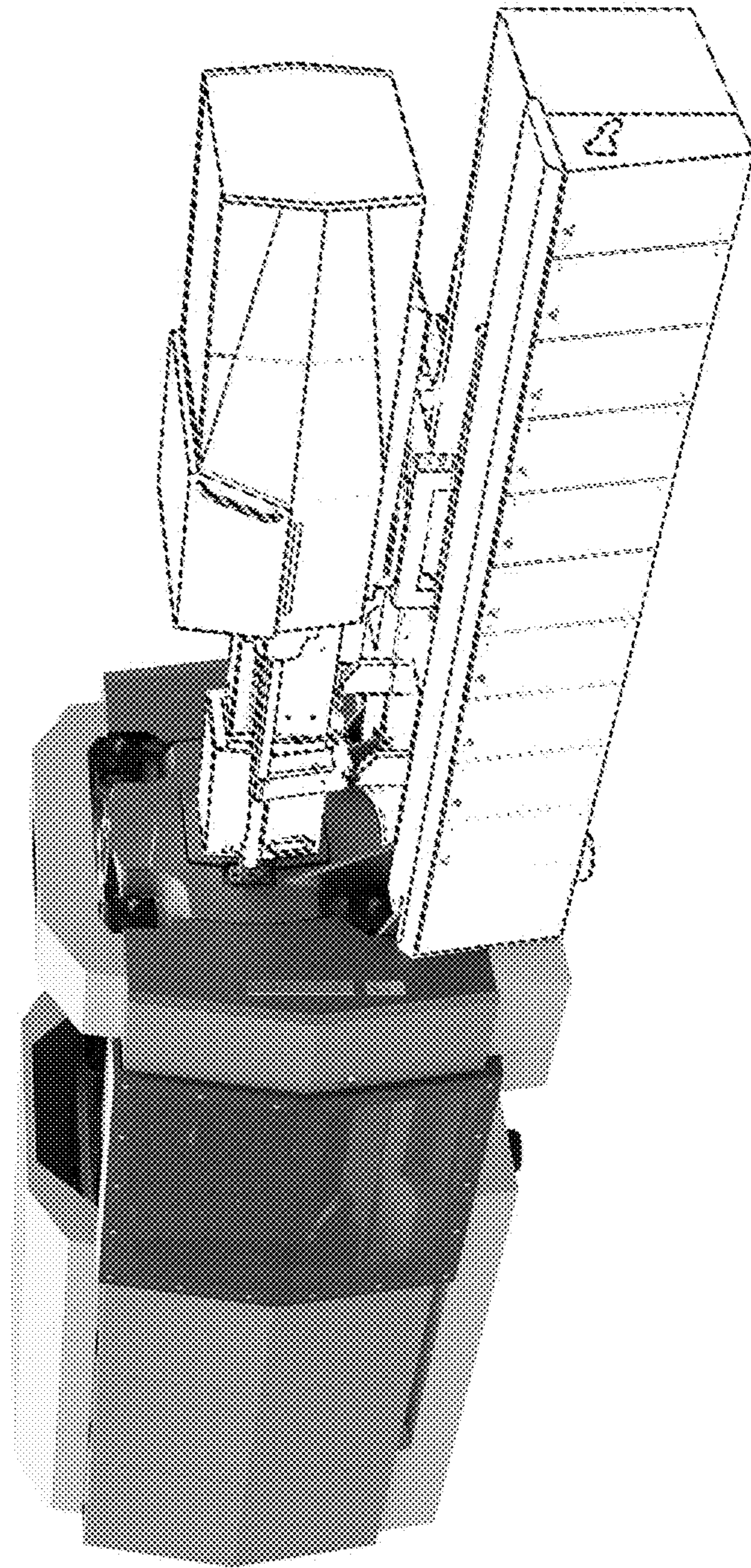


FIG. 9

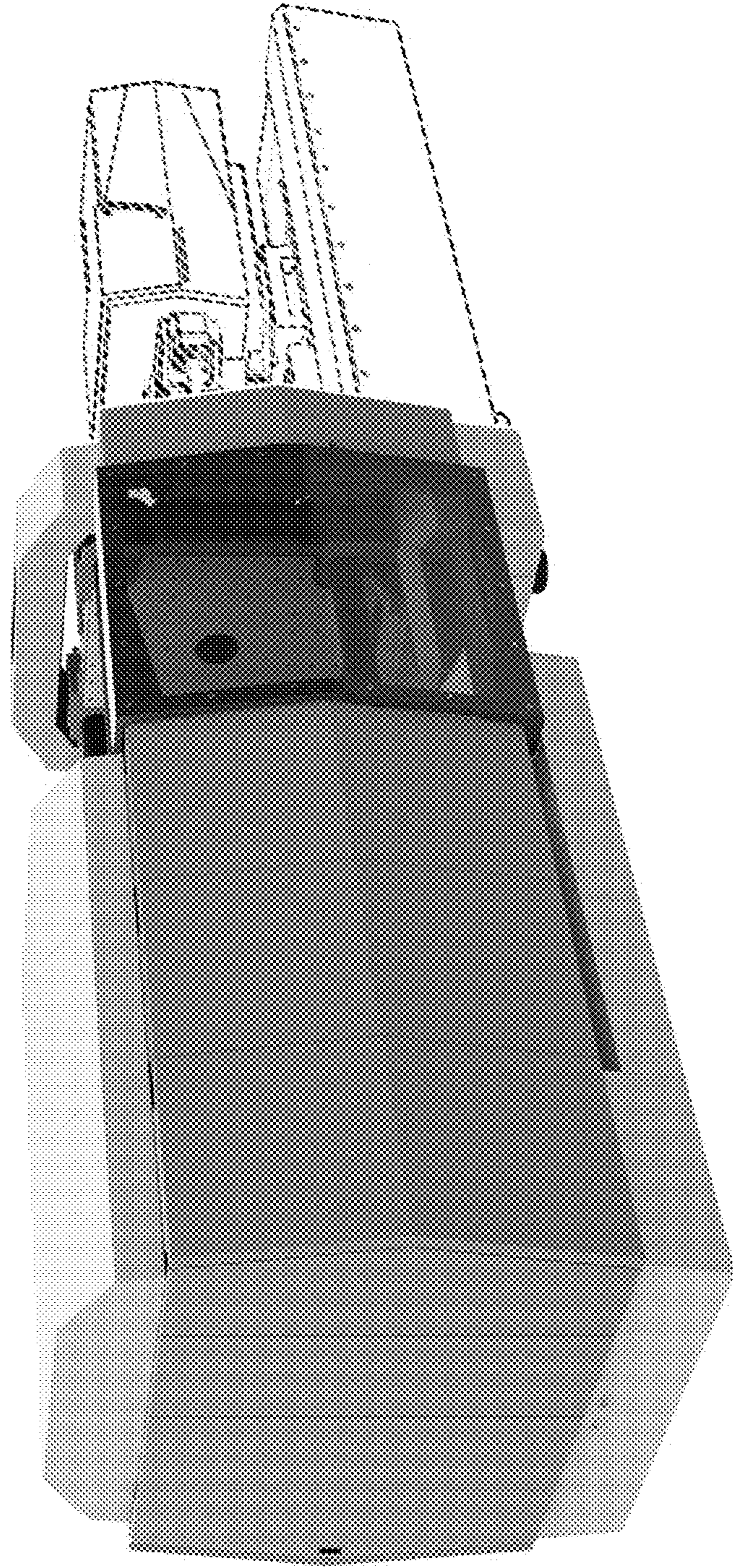


FIG. 10

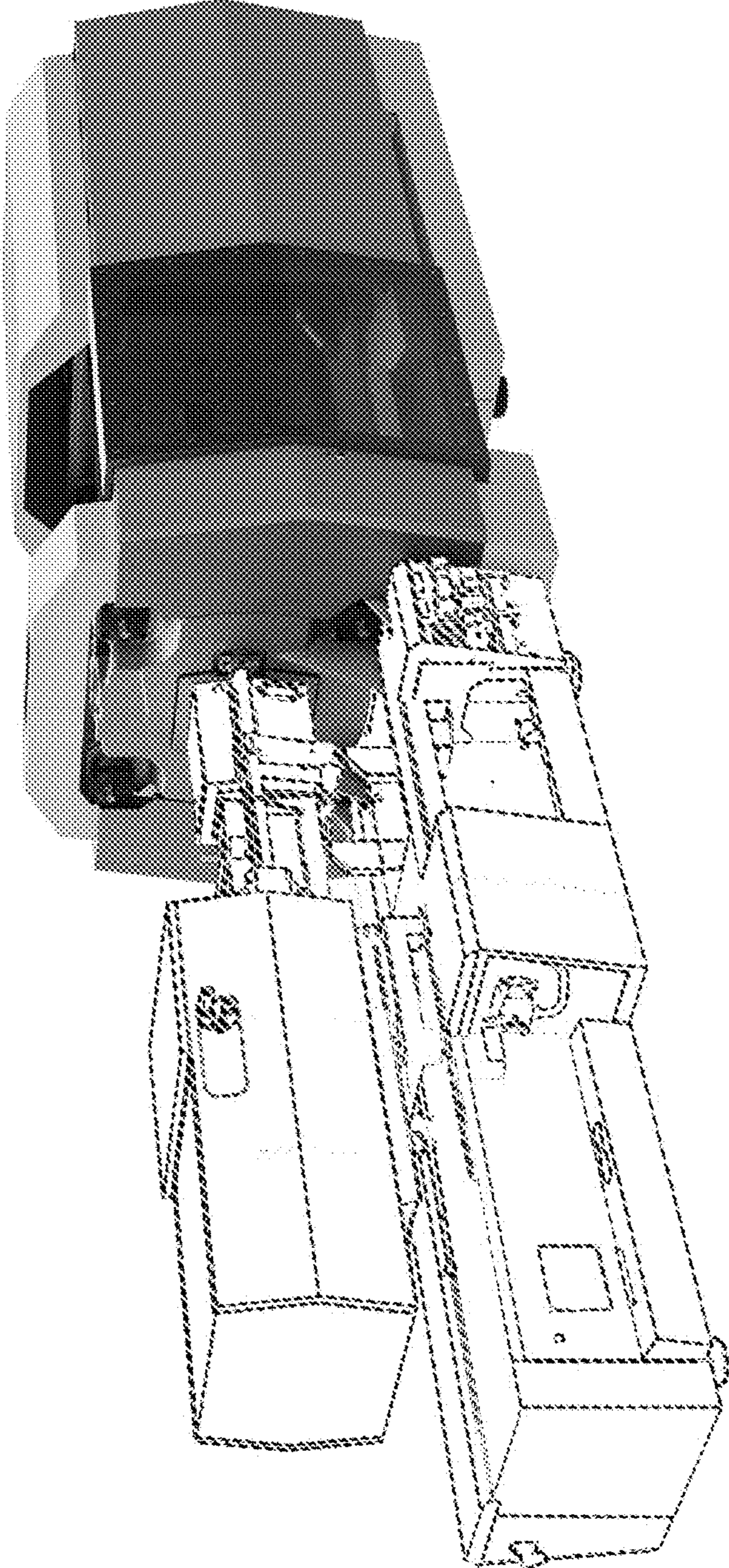


FIG. 11

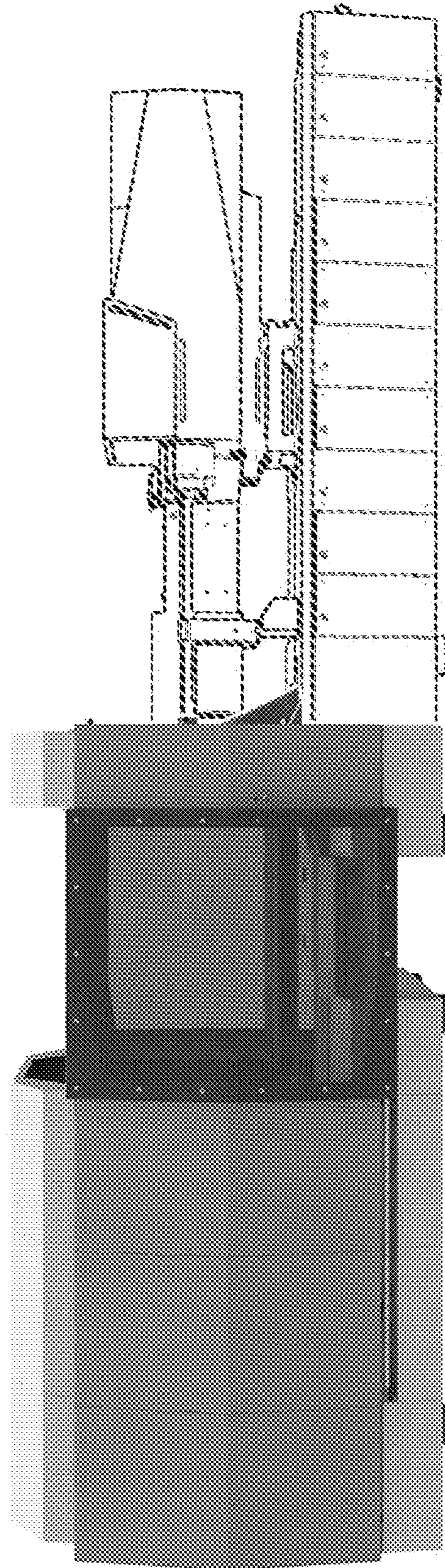


FIG. 12

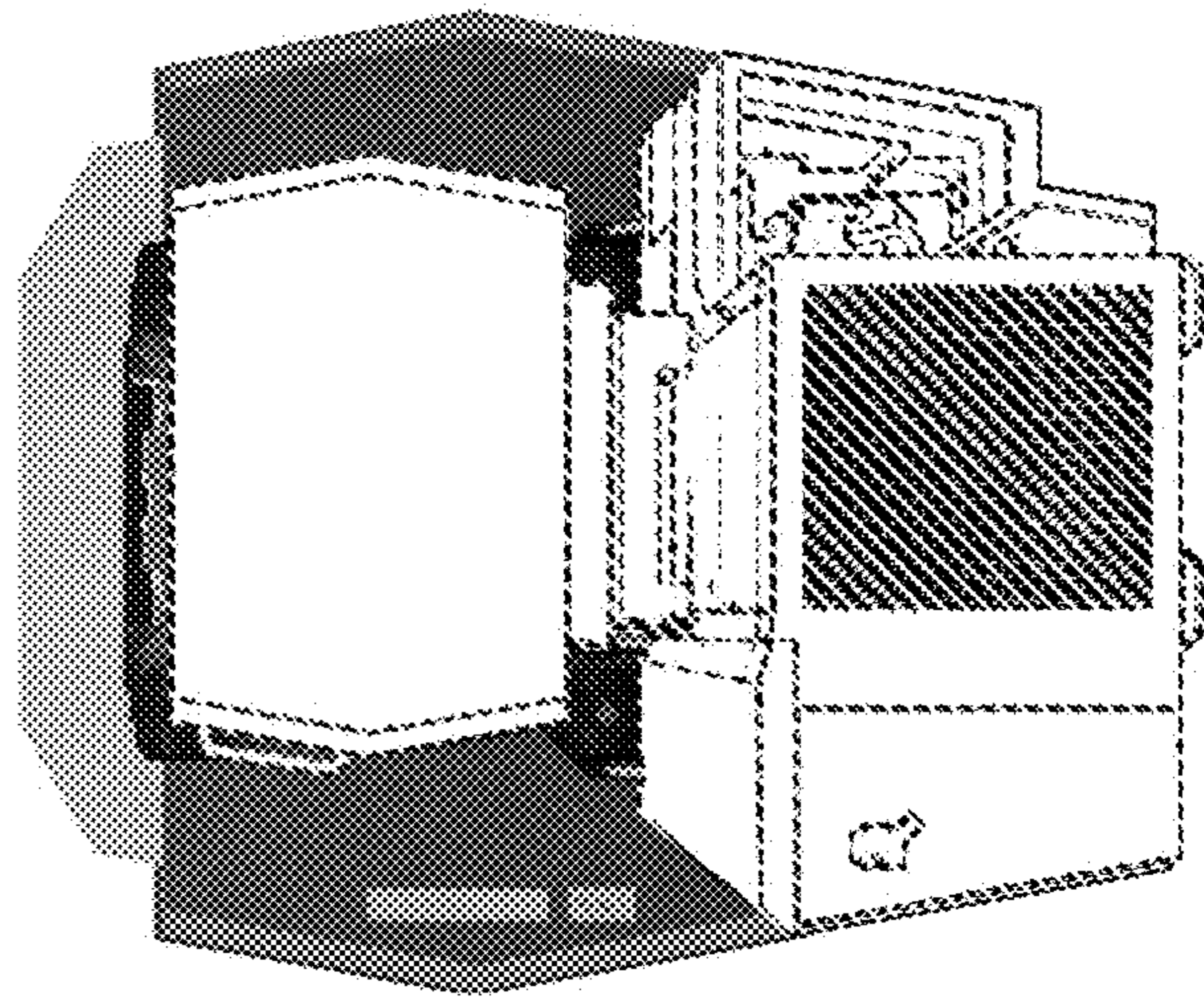


FIG. 13

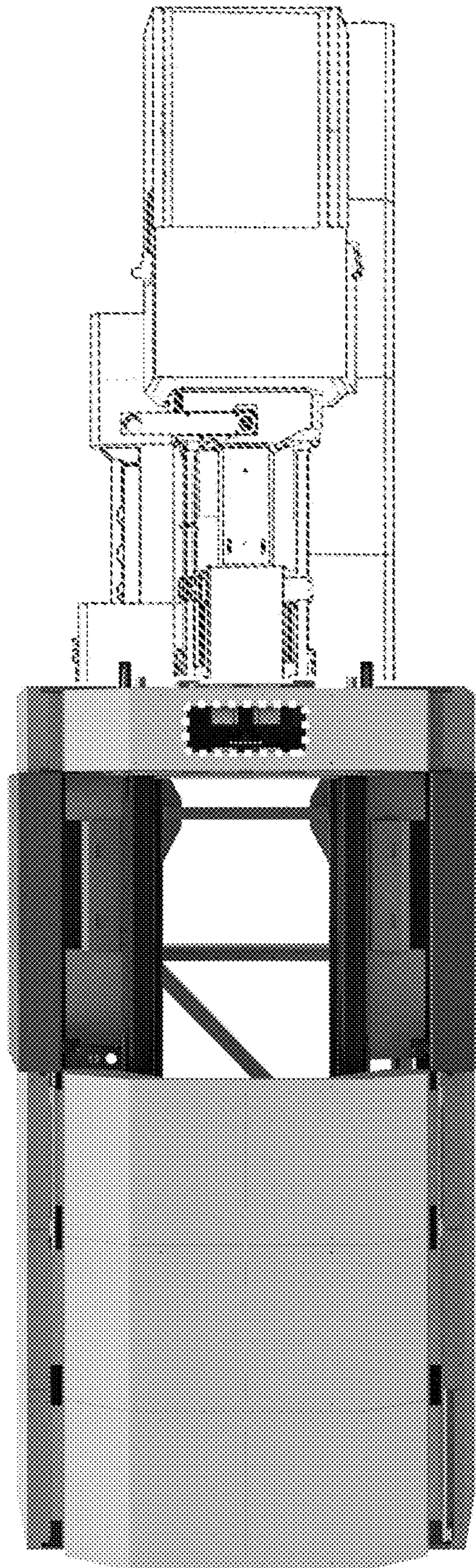


FIG. 14

