



US00D984494S

(12) **United States Design Patent**
Kim et al.

(10) **Patent No.:** **US D984,494 S**
(45) **Date of Patent:** **** Apr. 25, 2023**

- (54) **SHELF FOR REFRIGERATOR**
- (71) Applicant: **Hongik University Industry-Academia Cooperation Foundation, Seoul (KR)**
- (72) Inventors: **Eun Young Kim, Seongnam-si (KR); Seung Yeon Lee, Yongin-si (KR); Doo Young Yang, Goyang-si (KR); Su Yeon Hwang, Seoul (KR); Jung Hyun Ahn, Suwon-si (KR)**
- (73) Assignee: **Hongik University Industry-Academia Cooperation Foundation, Seoul (KR)**

D347,922 S * 6/1994 Trevaskis D6/515
 D354,181 S * 1/1995 Smith D6/675.2
 D555,980 S * 11/2007 Tiemann A47F 1/121
 D7/704
 D563,730 S * 3/2008 Tiemann D7/704

- (**) Term: **15 Years**
- (21) Appl. No.: **29/767,687**
- (22) Filed: **Jan. 25, 2021**

(30) **Foreign Application Priority Data**

Aug. 3, 2020 (KR) 30-2020-0036001

- (51) **LOC (14) Cl.** **15-07**
- (52) **U.S. Cl.**
USPC **D15/89**

- (58) **Field of Classification Search**
USPC D6/513, 515, 552; D8/358, 356, 373;
D7/589, 704, 707; D15/89
CPC ... B65D 7/00; B65D 7/04; B65D 7/14; B65D
7/20; B65D 7/26; A63D 15/005; F25D
2331/805; F25D 2331/806; F25D
2331/807; F25D 2331/809; F25D
2331/812; A47G 23/0266; A47F 1/04;
A47F 1/08; A47F 1/082
See application file for complete search history.

(56) **References Cited**

U.S. PATENT DOCUMENTS

D192,378 S * 3/1962 Combs D6/515
 3,203,553 A * 8/1965 Pendergrast, Jr. A47F 1/121
 220/486

OTHER PUBLICATIONS

Premier1.com, Egg Skelter, Sep. 2020, online product page, retrieved Dec. 16, 2022 from <URL:https://web.archive.org/web/20200923035826/https://www.premier1supplies.com/p/egg-skelter> (Year: 2020).*

* cited by examiner

Primary Examiner — Calvin E Vansant

Assistant Examiner — Eidiol Ghigliotty Torres

(74) *Attorney, Agent, or Firm* — Sughrue Mion, PLLC

(57) **CLAIM**

The ornamental design for a shelf for refrigerator, as shown and described.

DESCRIPTION

FIG. 1 is a perspective view of a shelf for refrigerator showing my new design;
 FIG. 2 is a front view thereof;
 FIG. 3 is a rear view thereof;
 FIG. 4 is a left side view thereof;
 FIG. 5 is a right side view thereof;
 FIG. 6 is a top view thereof;
 FIG. 7 is a bottom view thereof; and,
 FIG. 8 is a side view of the shelf for refrigerator shown in use.
 The features shown in broken lines form no part of the claimed design.

1 Claim, 7 Drawing Sheets

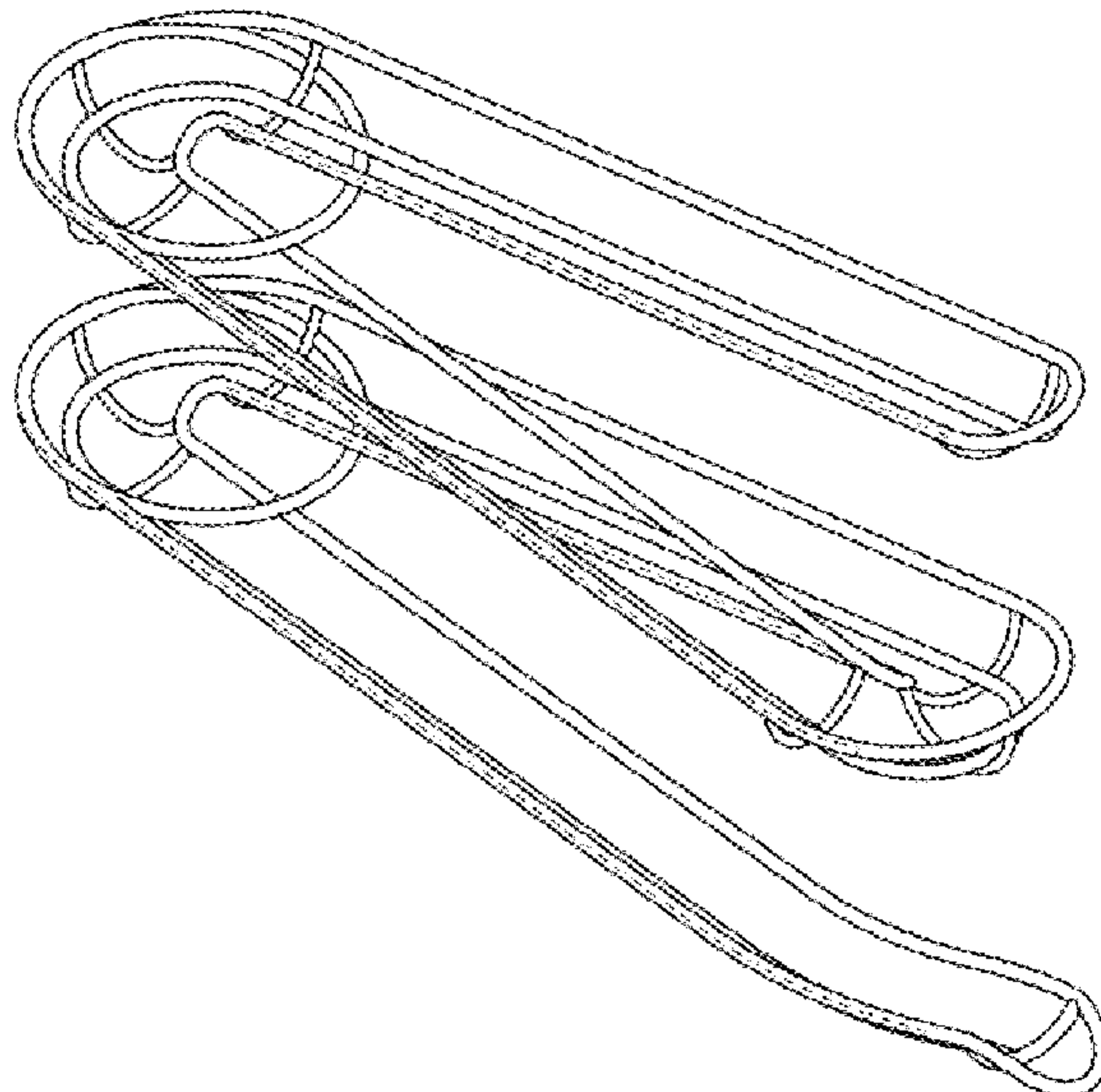


FIG. 1

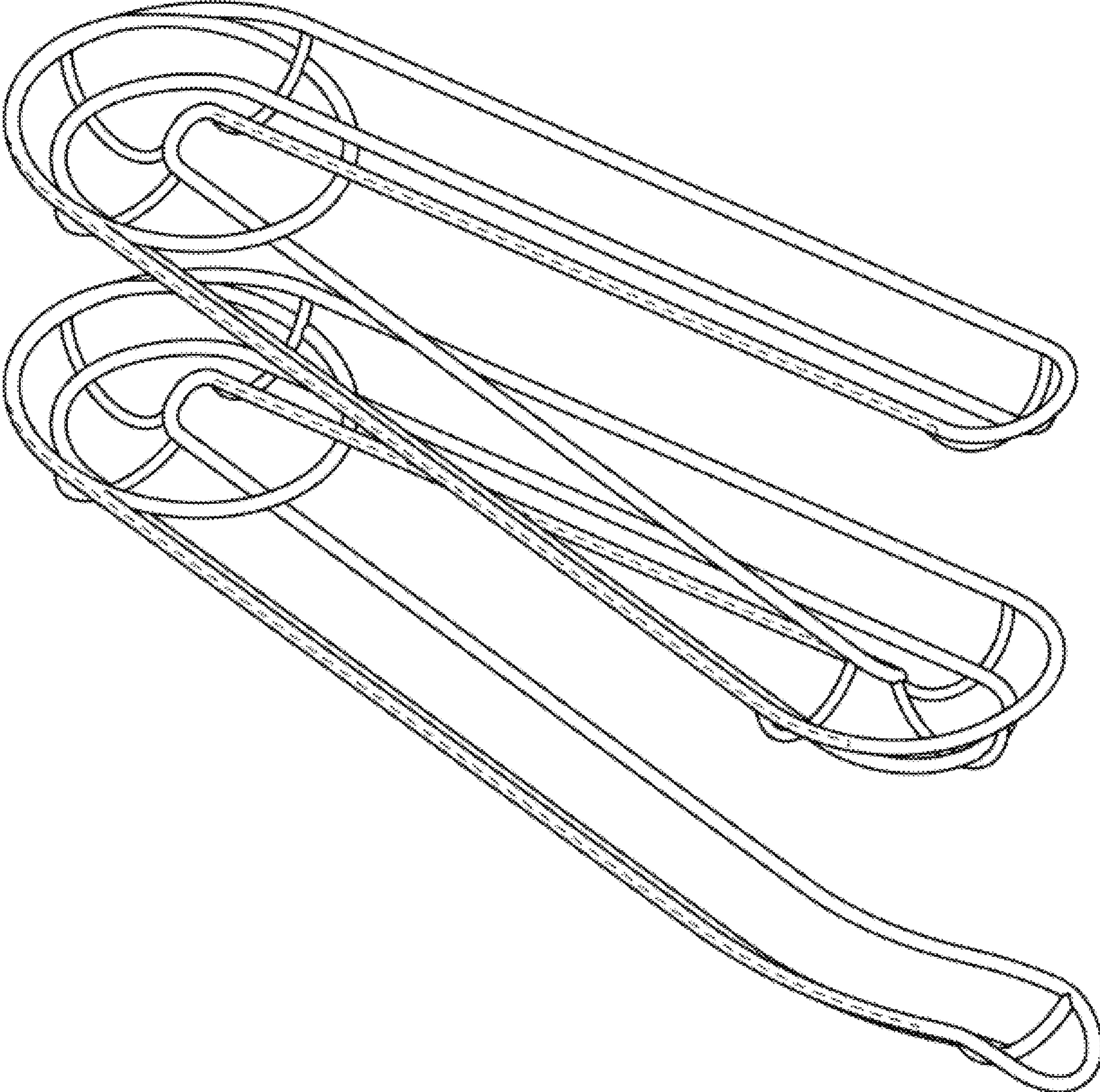


FIG. 2

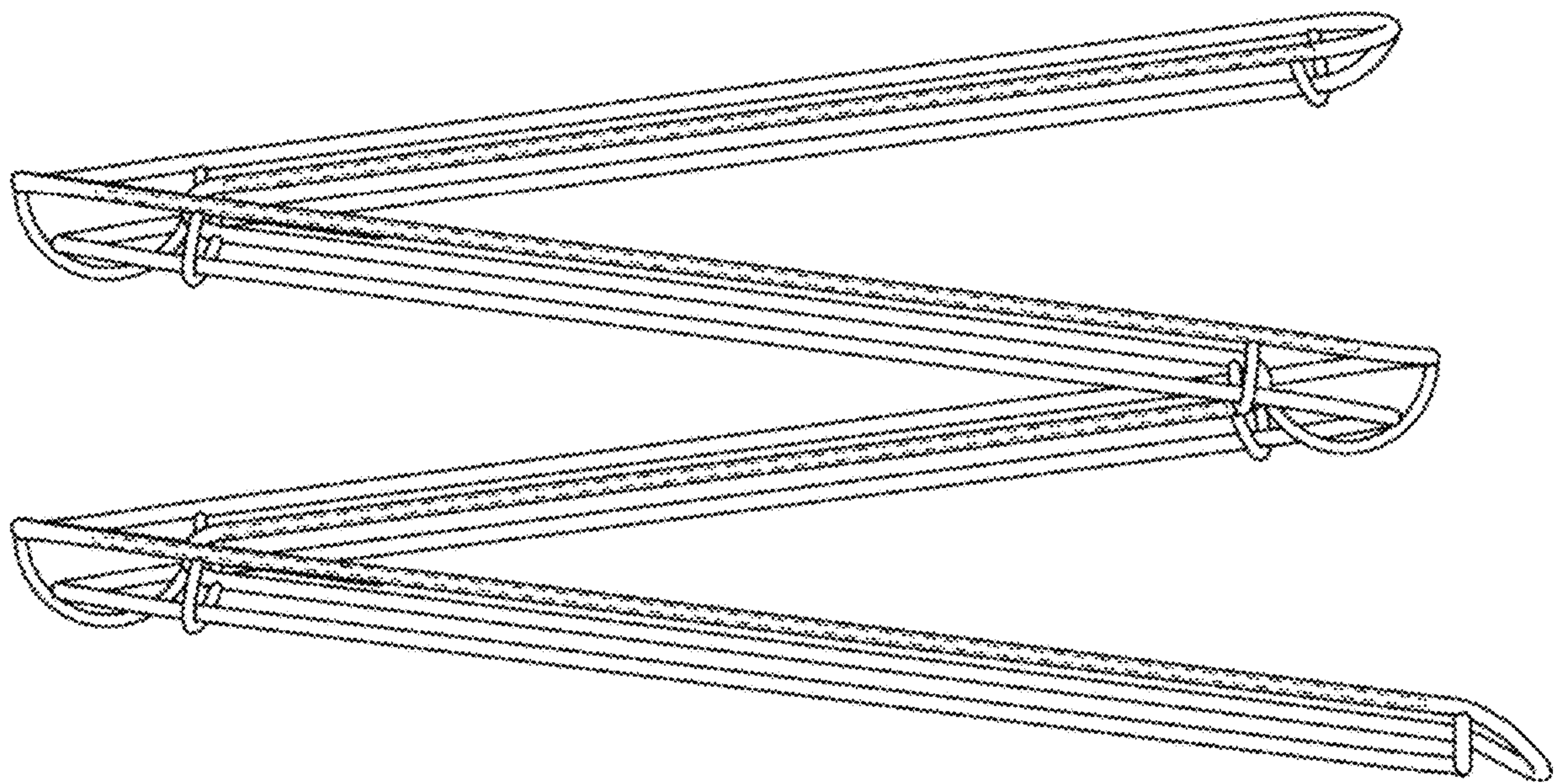


FIG. 3

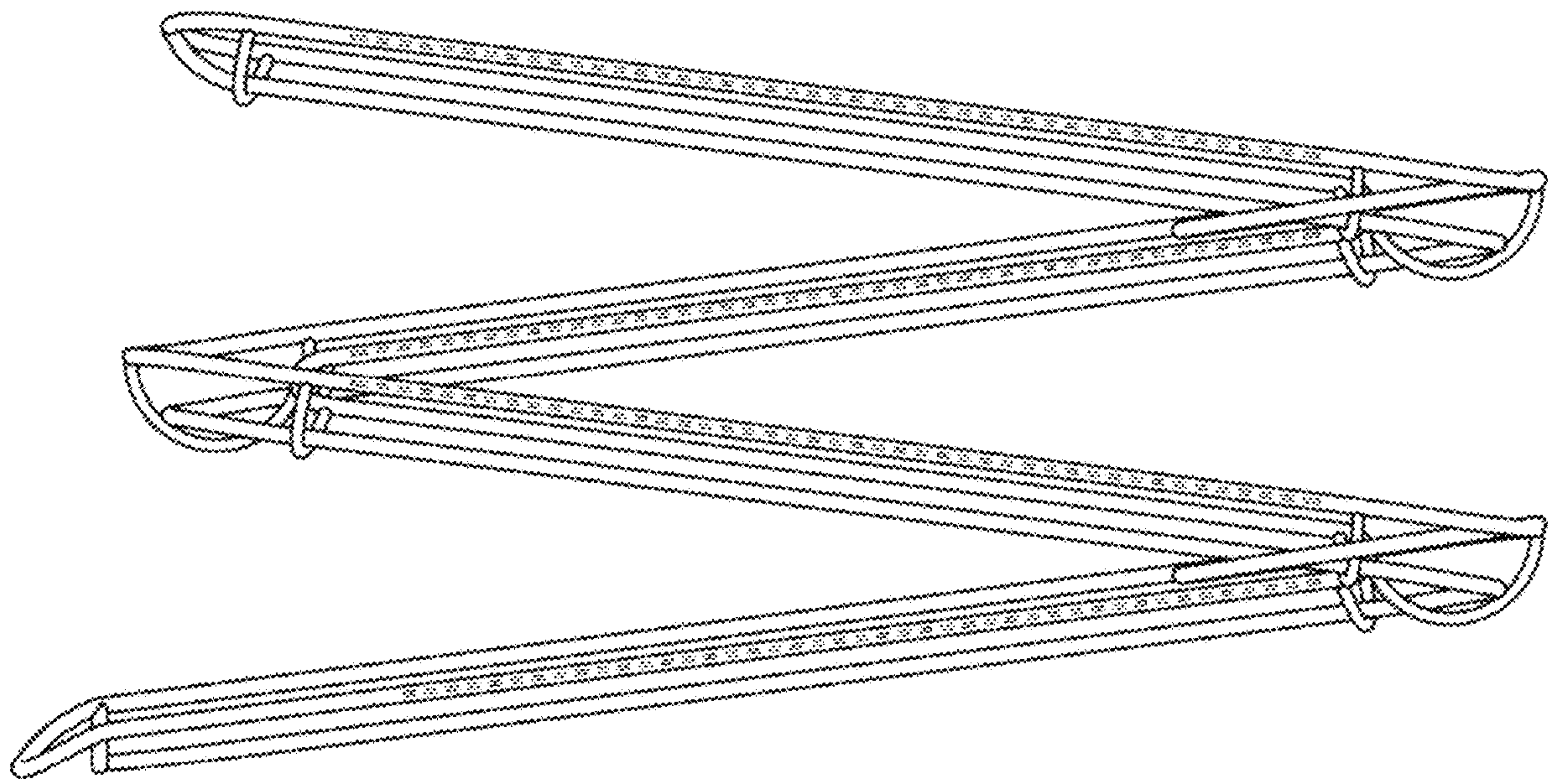


FIG. 4

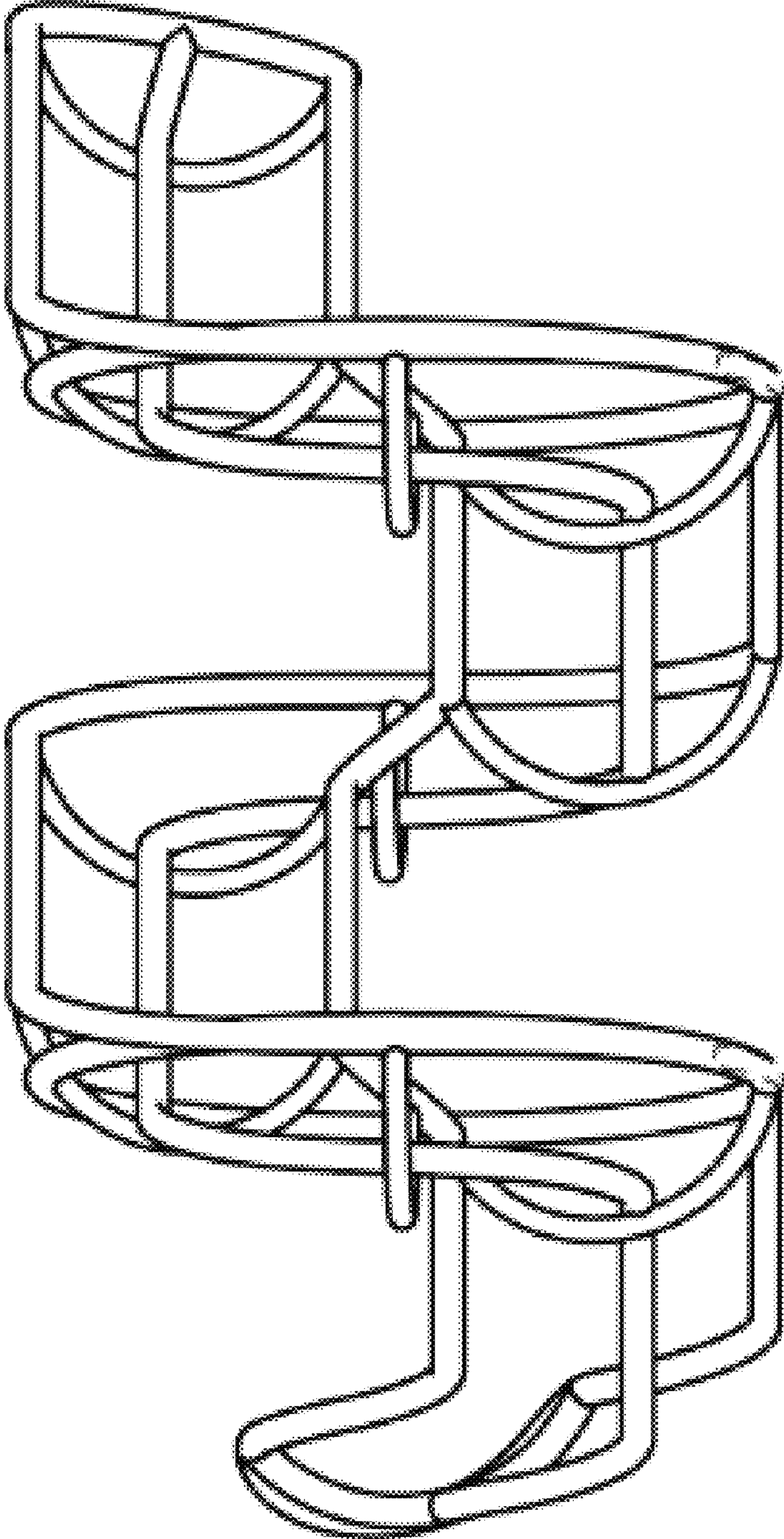


FIG. 5

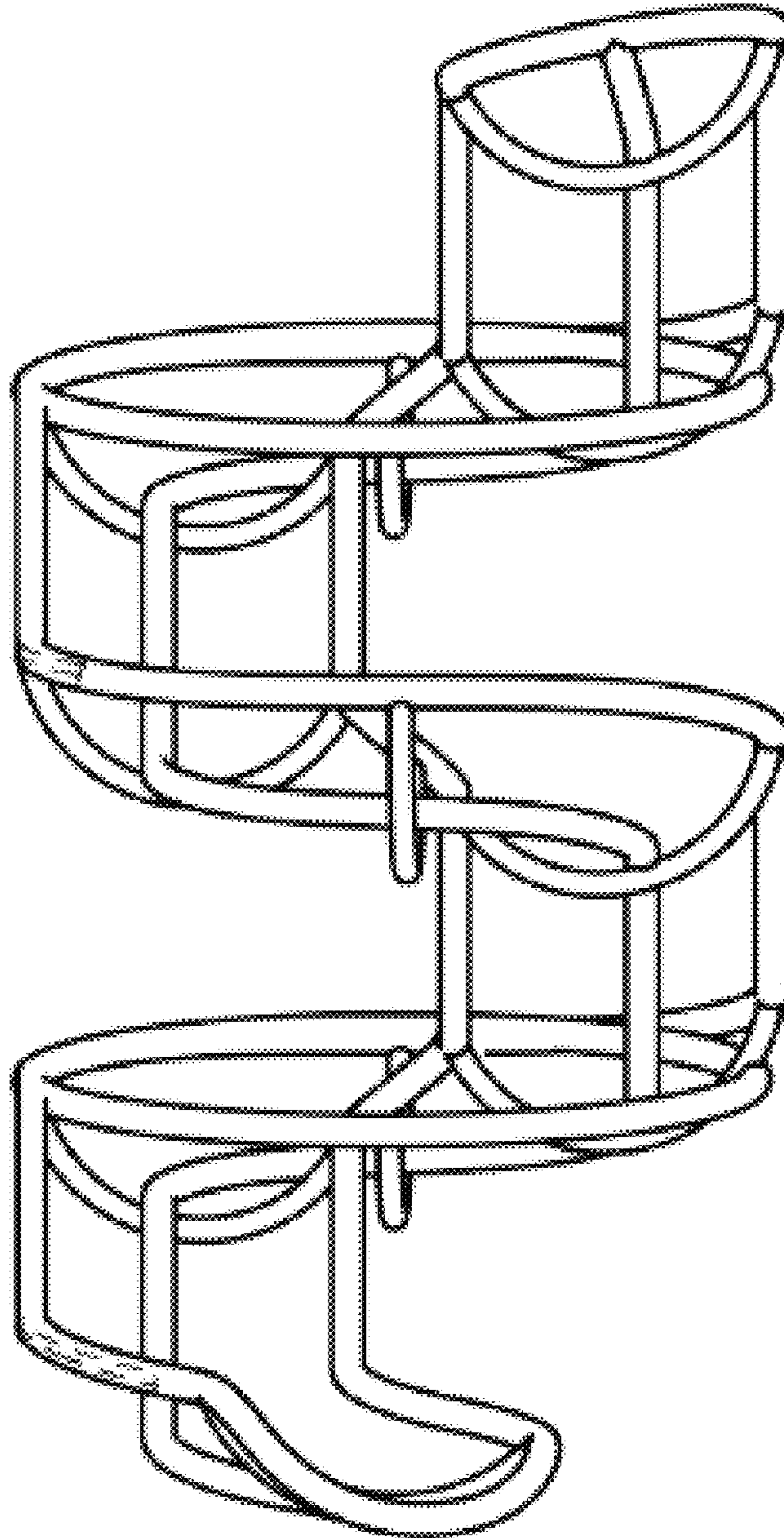


FIG. 6

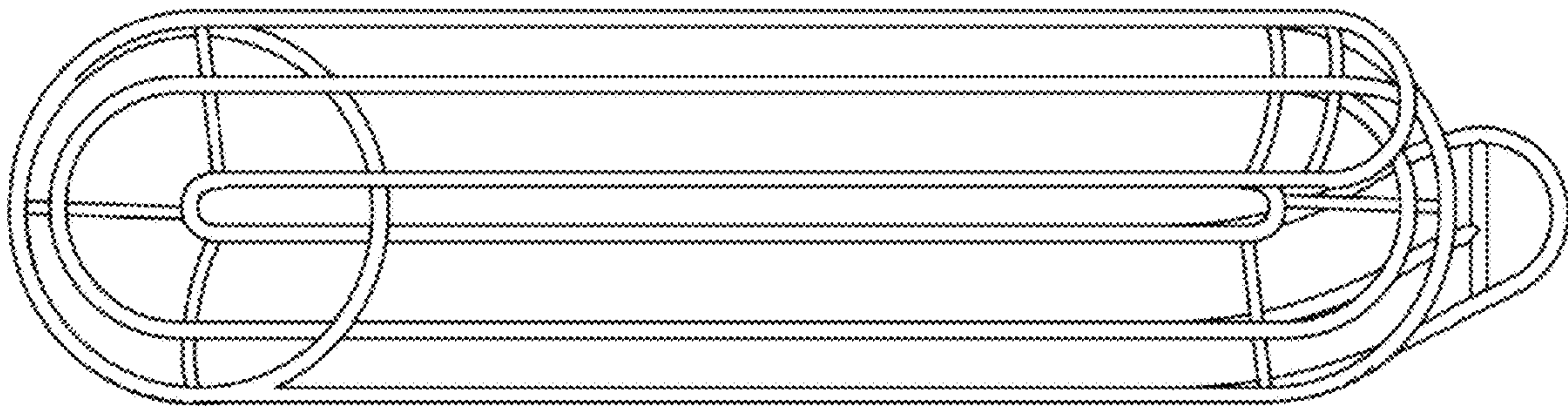


FIG. 7

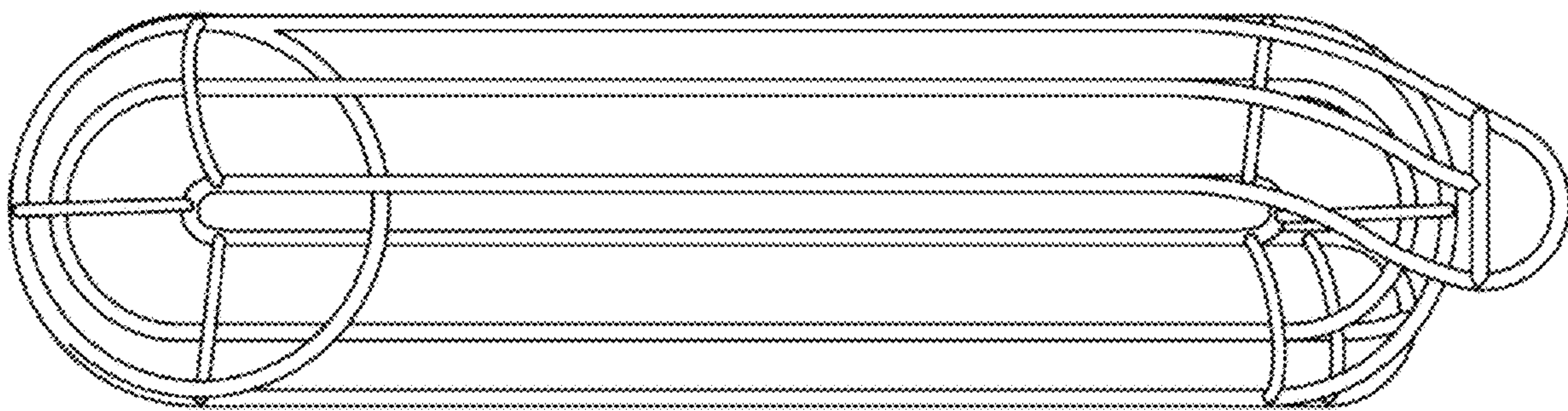


FIG. 8

