



US00D984492S

(12) **United States Design Patent**
Chang

(10) **Patent No.:** **US D984,492 S**

(45) **Date of Patent:** **** Apr. 25, 2023**

(54) **FABRIC DYEING MACHINE**

(71) Applicant: **Chi-Lung Chang**, Taoyuan (TW)

(72) Inventor: **Chi-Lung Chang**, Taoyuan (TW)

(**) Term: **15 Years**

(21) Appl. No.: **29/760,093**

(22) Filed: **Nov. 29, 2020**

(51) **LOC (14) Cl.** **15-06**

(52) **U.S. Cl.**

USPC **D15/66**

(58) **Field of Classification Search**

USPC D15/66, 127

CPC .. D06B 1/02; D06B 3/00-36; D06B 5/00-26;

D06B 21/00; D06B 21/02; D06B 23/04;

D06P 1/00

See application file for complete search history.

(56) **References Cited**

U.S. PATENT DOCUMENTS

2,617,467 A * 11/1952 Tiff B21D 5/14
72/169

D456,823 S * 5/2002 Davi B28D 1/225
D15/123

D771,721 S * 11/2016 Chang D15/66

D771,722 S * 11/2016 Chang D15/66

2005/0016518 A1* 1/2005 Ishii B28D 1/225
125/23.02

2022/0307182 A1* 9/2022 Chang D06B 23/04

* cited by examiner

Primary Examiner — Calvin E Vasant

Assistant Examiner — Eidiol Ghigliotty Torres

(74) *Attorney, Agent, or Firm* — Leong C. Lei

(57) **CLAIM**

The ornamental design for a fabric dyeing machine, as shown and described.

DESCRIPTION

FIG. 1 is a perspective view of a fabric dyeing machine showing my new design;

FIG. 2 is a front elevational view thereof;

FIG. 3 is a rear elevational view thereof;

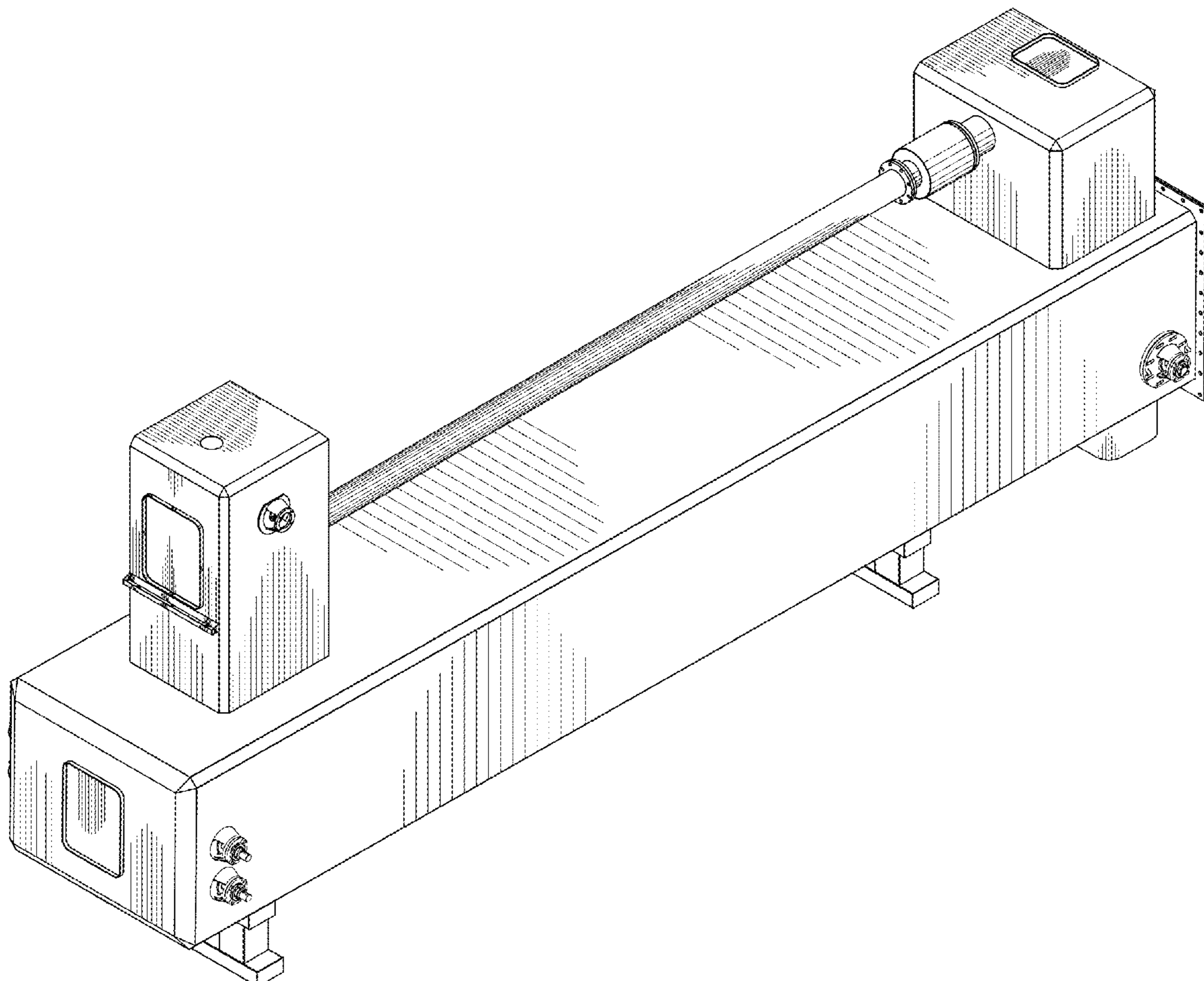
FIG. 4 is a left side elevational view thereof;

FIG. 5 is a right side elevational view thereof;

FIG. 6 is a top plan view thereof; and,

FIG. 7 is a bottom plan view thereof.

1 Claim, 7 Drawing Sheets



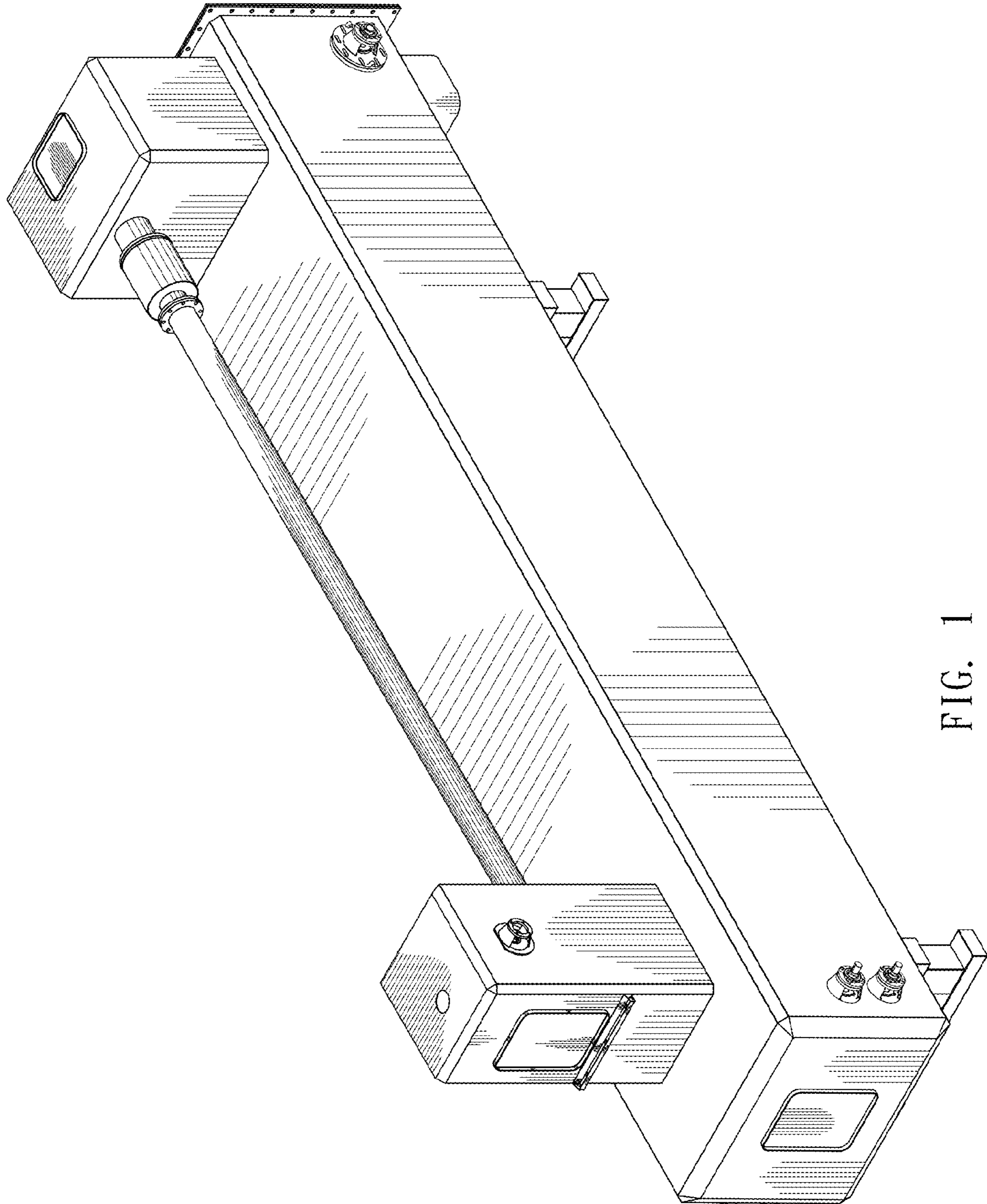


FIG. 1



FIG. 2

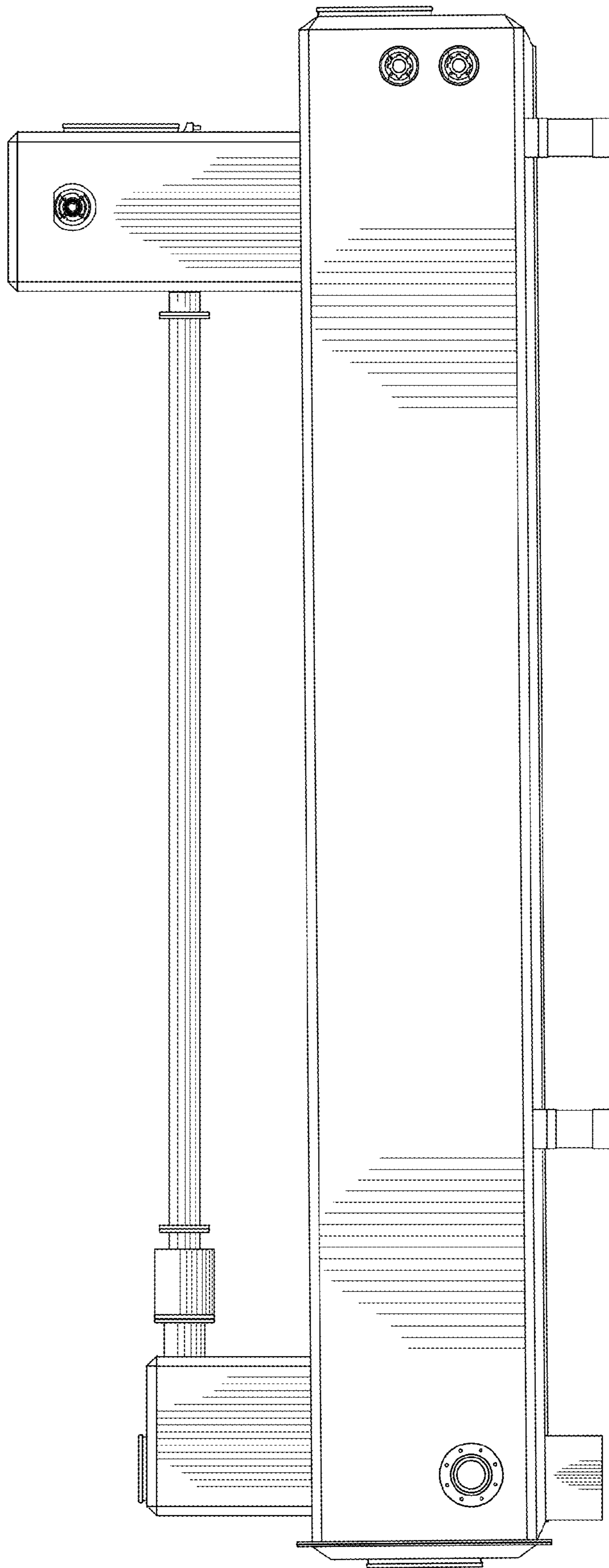


FIG. 3

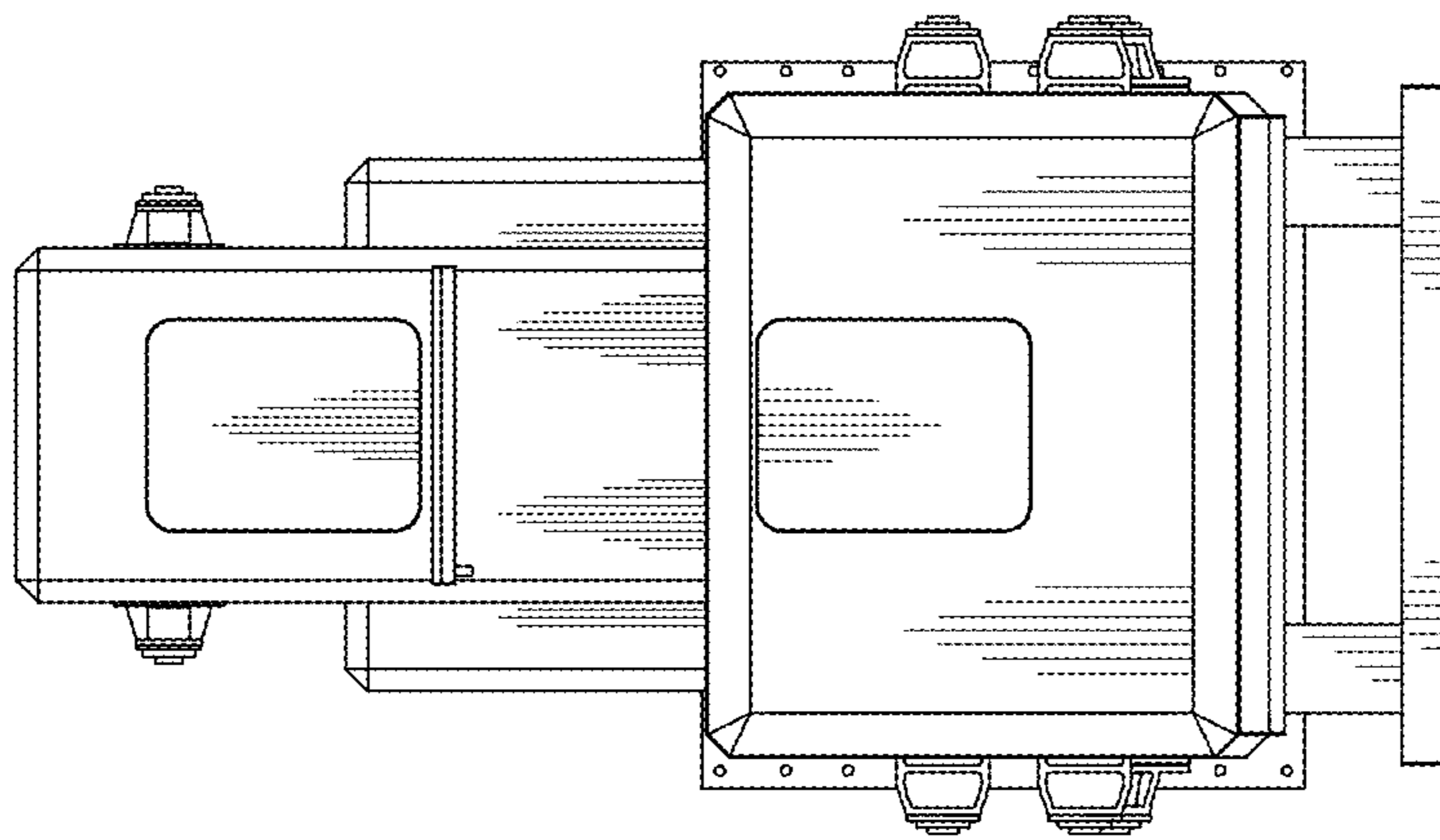


FIG. 4

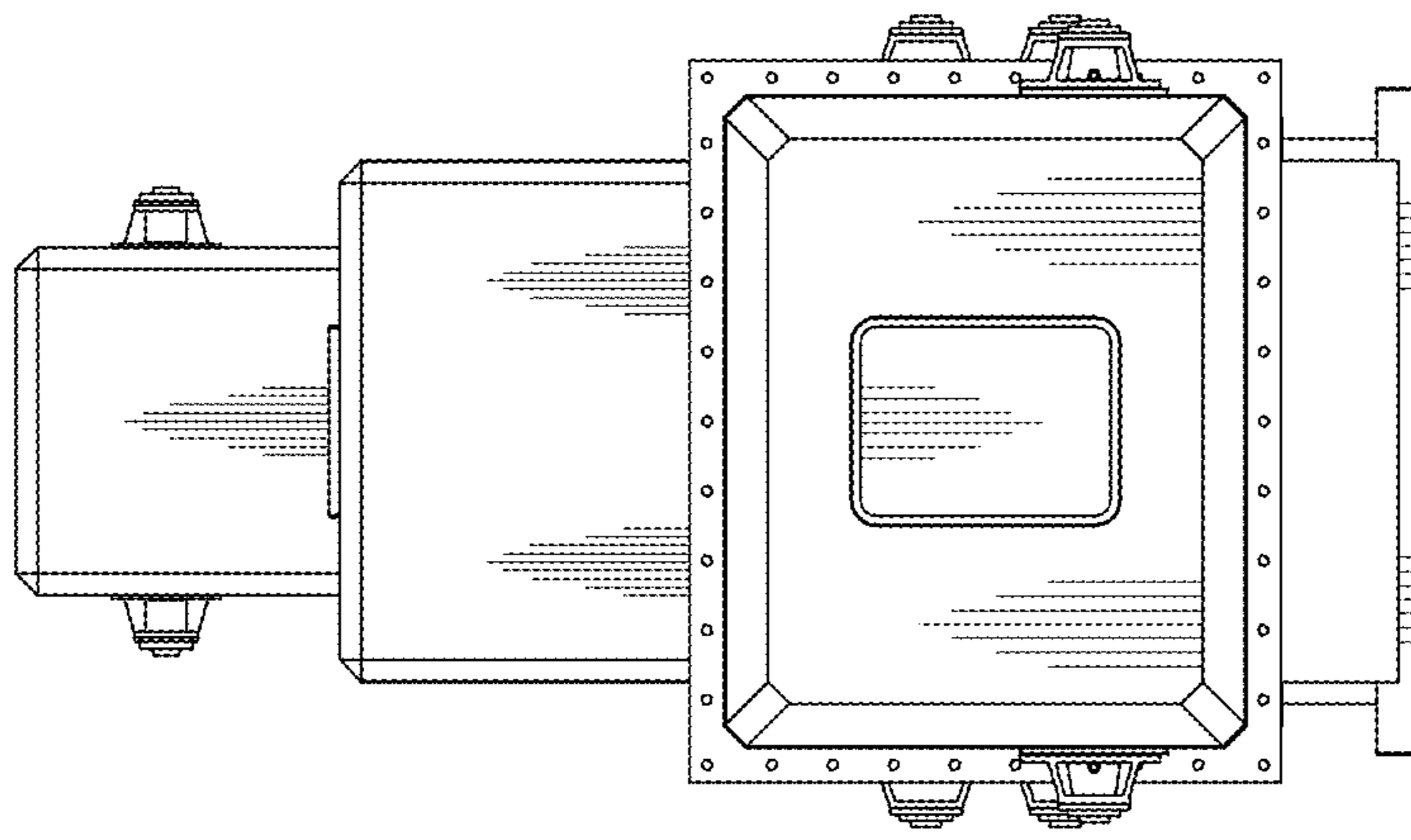


FIG. 5

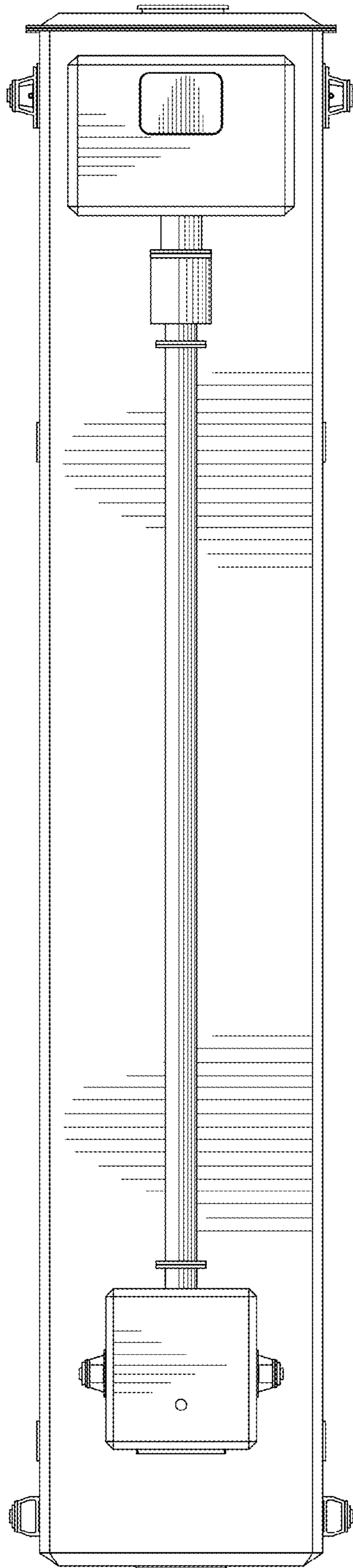


FIG. 6

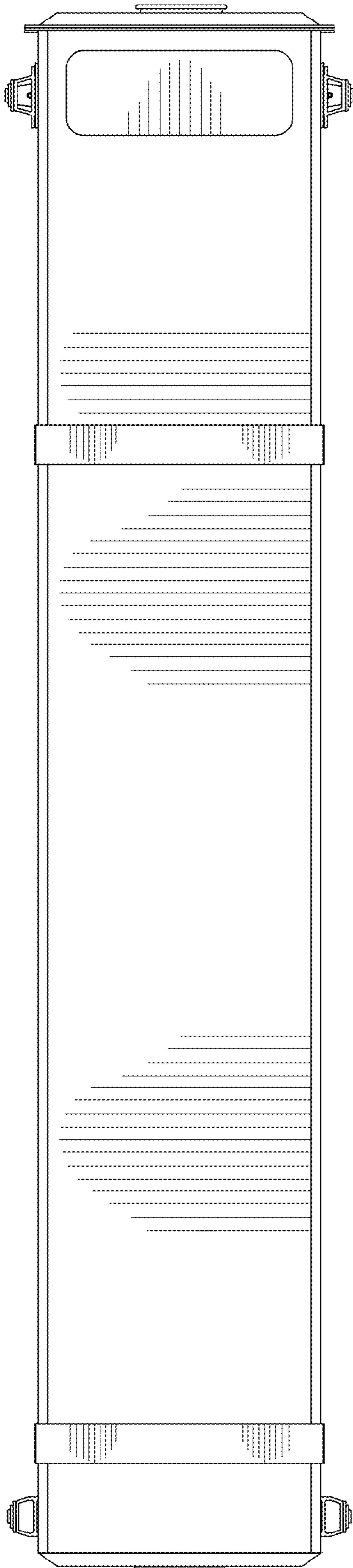


FIG. 7