



US00D984489S

(12) **United States Design Patent** (10) **Patent No.:** **US D984,489 S**
Adachi et al. (45) **Date of Patent:** **** Apr. 25, 2023**

(54) **REAR COVER FOR A CONSTRUCTION MACHINE**
(71) Applicant: **KOBELCO CONSTRUCTION MACHINERY CO., LTD.**, Hiroshima (JP)
(72) Inventors: **Kaoru Adachi**, Hiroshima (JP); **Shintaro Sakitani**, Hiroshima (JP); **Koji Fujikawa**, Hiroshima (JP)
(73) Assignee: **KOBELCO CONSTRUCTION MACHINERY CO., LTD.**, Hiroshima (JP)

(**) Term: **15 Years**
(21) Appl. No.: **29/809,475**
(22) Filed: **Sep. 28, 2021**

(30) **Foreign Application Priority Data**
Mar. 29, 2021 (JP) 2021-006483 D
(51) **LOC (14) Cl.** **15-03**
(52) **U.S. Cl.**
USPC **D15/28**
(58) **Field of Classification Search**
USPC D15/17, 28, 14, 15, 22-26, 31, 33;
D12/192
CPC B62D 49/00; B60K 37/00; B60K 37/02;
B60K 37/04; B60K 2350/928; B60Y
2200/22
See application file for complete search history.

(56) **References Cited**
U.S. PATENT DOCUMENTS
D484,894 S * 1/2004 McCord D15/28
D558,798 S * 1/2008 Sakitani D15/28

D593,134 S * 5/2009 Kuwae D15/28
D636,794 S * 4/2011 Ono D15/28
D678,917 S * 3/2013 Hagura D15/28
D678,918 S * 3/2013 Hagura D15/28
D684,605 S * 6/2013 Hagura D15/28
D684,606 S * 6/2013 Hagura D15/28
D693,857 S * 11/2013 Hiraoka D15/28
D727,978 S * 4/2015 Higuchi D15/28
D795,309 S * 8/2017 Sauvaget D15/31
D816,730 S * 5/2018 Diebold D15/28
D855,083 S * 7/2019 Yoneda D15/28
D892,176 S * 8/2020 Adachi D15/28

* cited by examiner
Primary Examiner — Mark A Goodwin
(74) *Attorney, Agent, or Firm* — Birch, Stewart, Kolasch & Birch, LLP

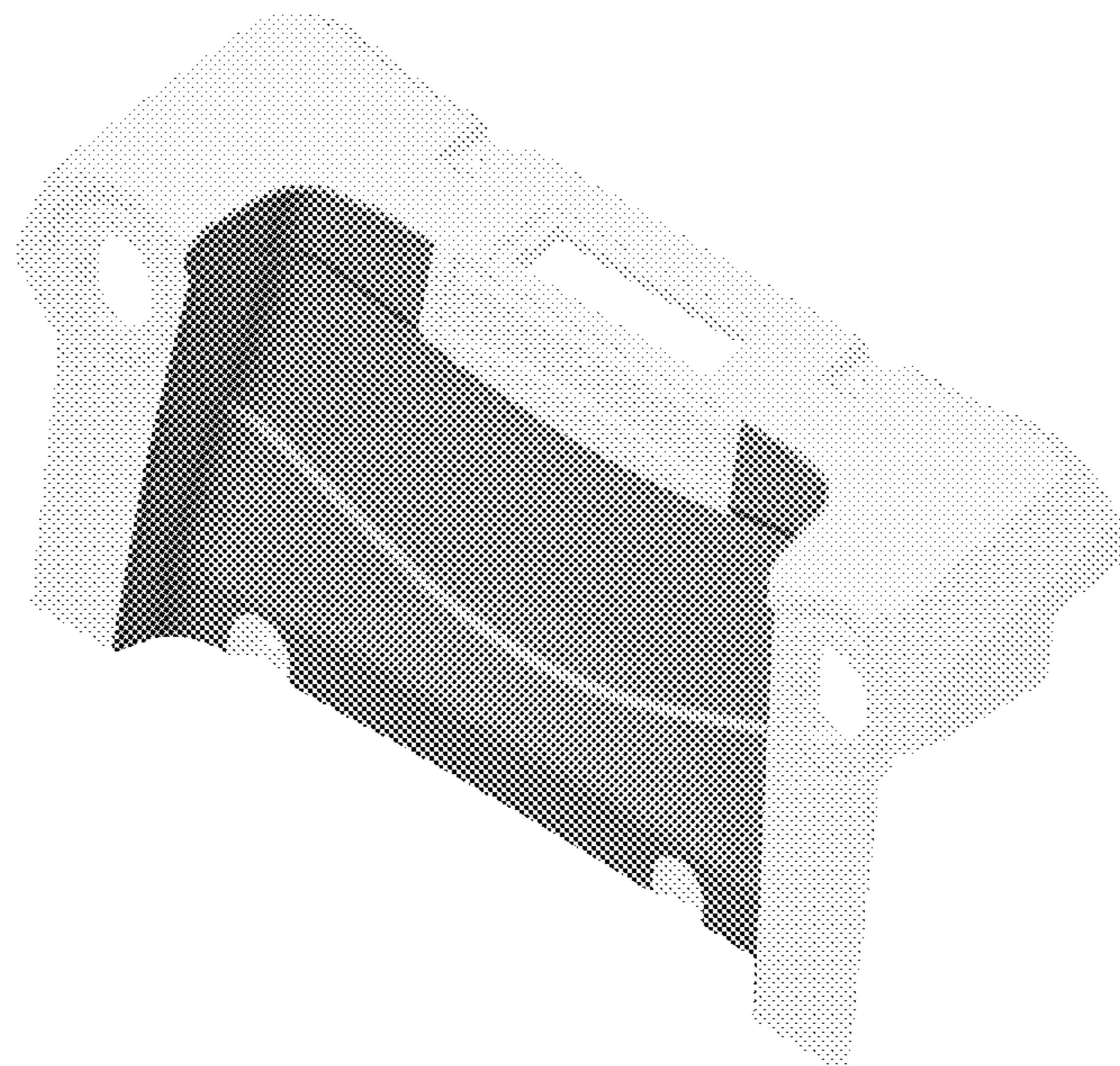
(57) **CLAIM**

The ornamental design for a rear cover for a construction machine, as shown and described.

DESCRIPTION

FIG. 1 is a first perspective view of a rear cover for a construction machine showing our new design; FIG. 2 is a second perspective view thereof; FIG. 3 is a front view thereof; FIG. 4 is a top view thereof; and, FIG. 5 is a bottom view thereof. The claimed design is indicated by the relatively dark portions in the figures, while the relatively light portions are environmental and form no part of the claimed design.

1 Claim, 3 Drawing Sheets



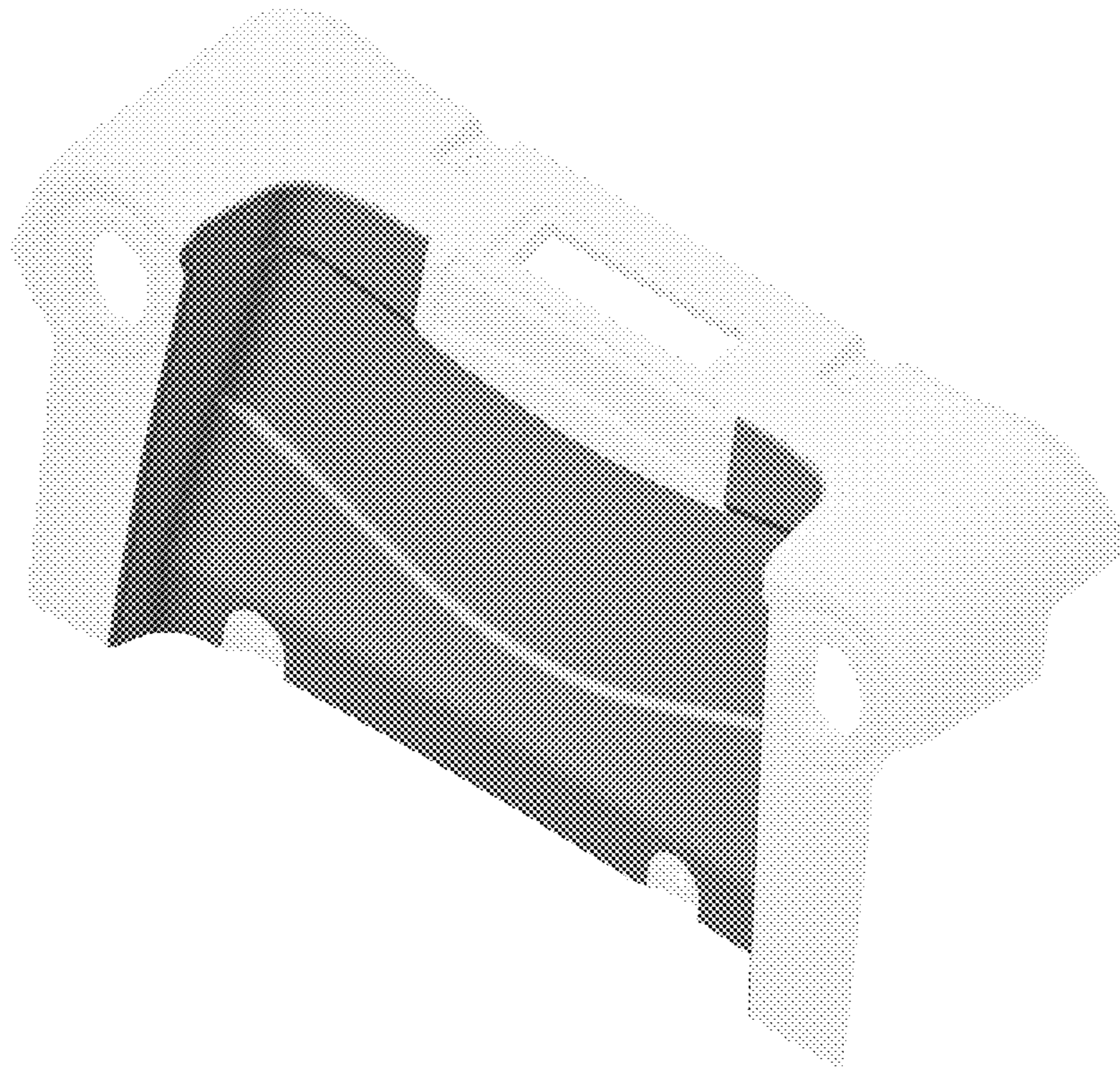


Fig.1

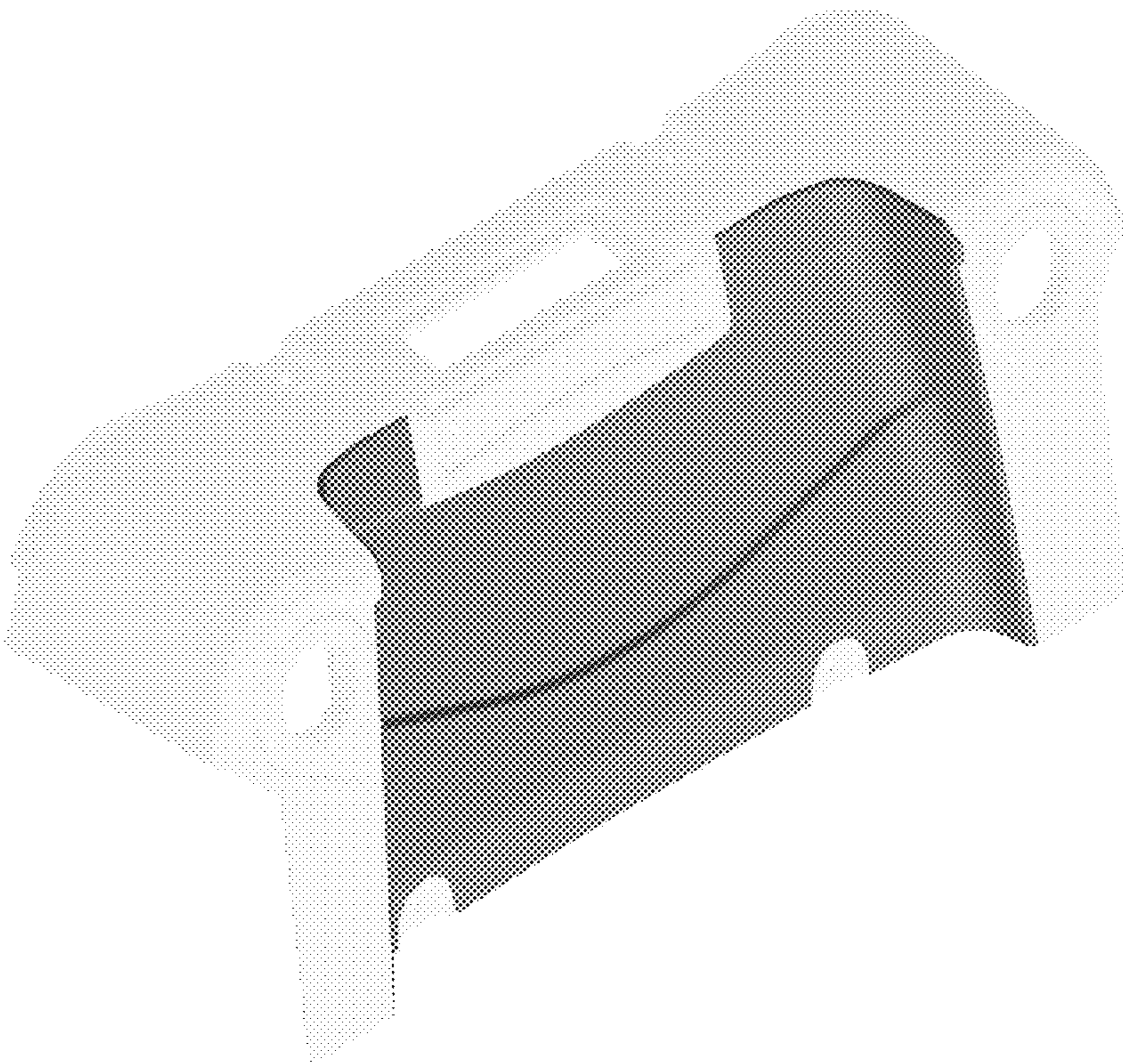


Fig.2

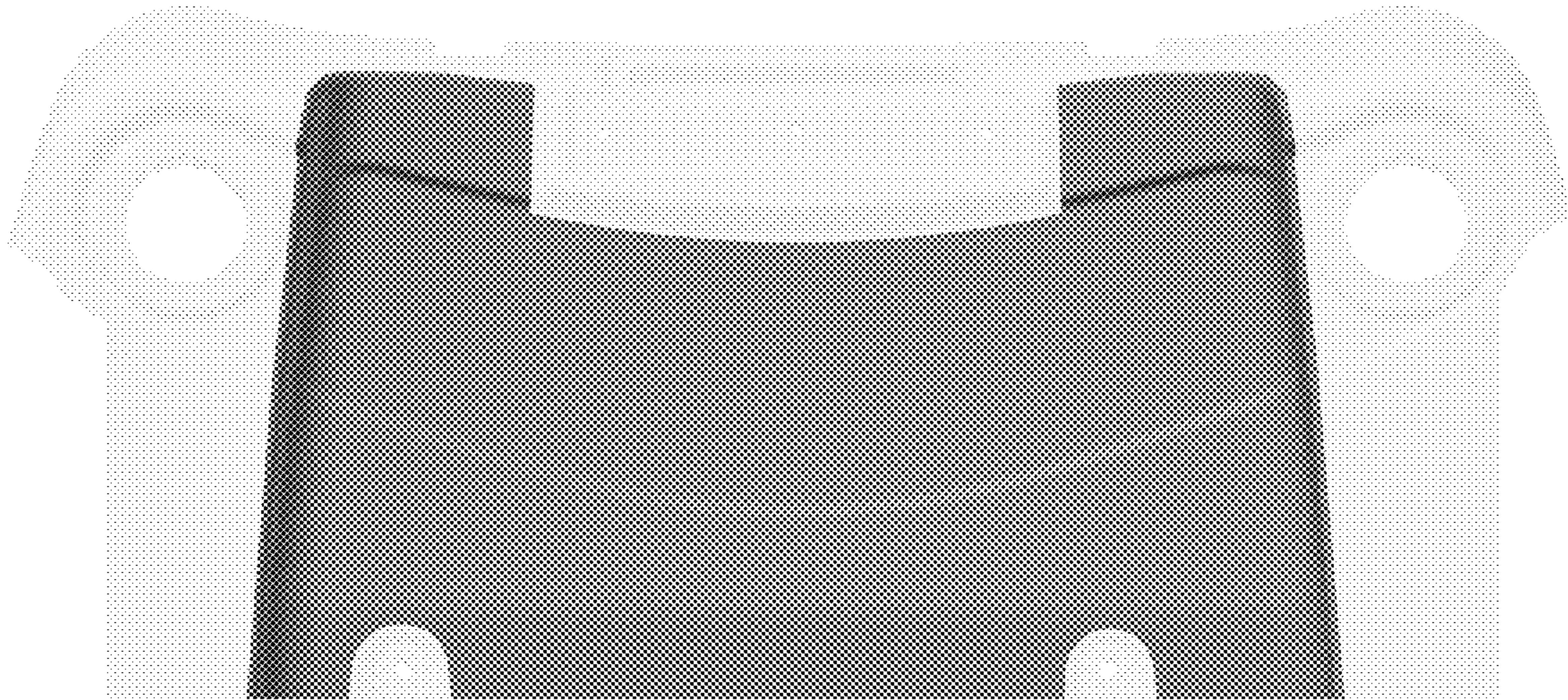


Fig.3

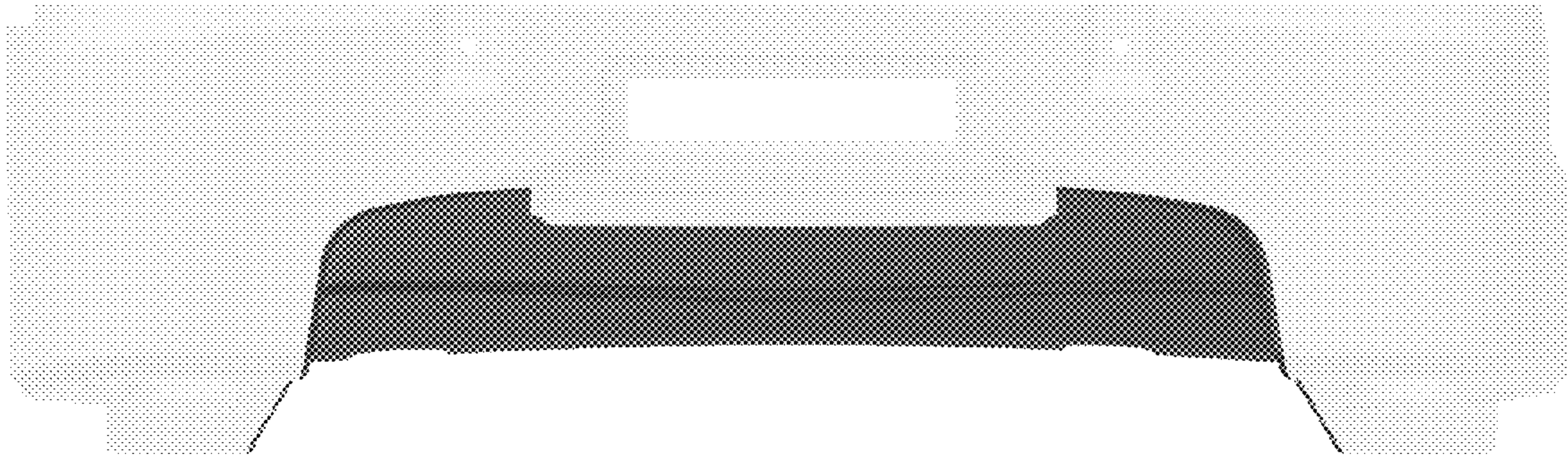


Fig.4

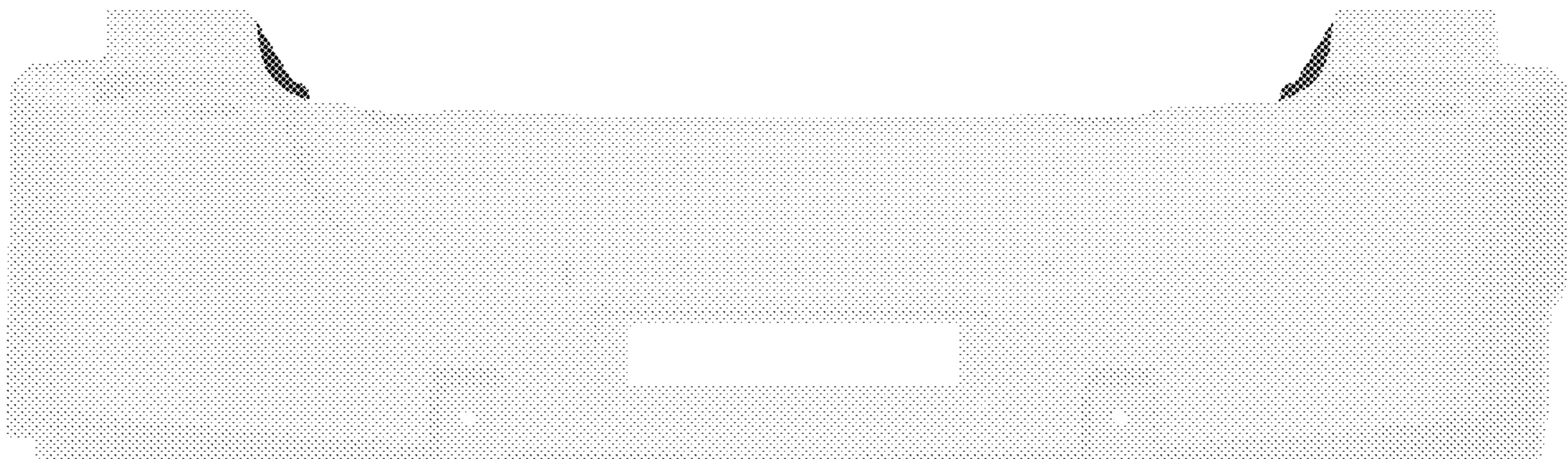


Fig.5