



US00D984488S

(12) **United States Design Patent**
Collard

(10) **Patent No.:** **US D984,488 S**

(45) **Date of Patent:** **** Apr. 25, 2023**

(54) **OVAL-SHAPED PNEUMATIC STRIPPING HEAD FOR A LEAF REMOVAL MACHINE**

6,594,982 B1 * 7/2003 Collard A01G 17/026
56/328.1

6,634,162 B1 * 10/2003 Andros A01G 17/02
56/328.1

(71) Applicant: **ETABLISSEMENTS COLLARD,**
Bouzy (FR)

7,096,654 B2 8/2006 Pellenc
7,305,812 B2 * 12/2007 Schloesser A01G 17/026
56/235

(72) Inventor: **Yannick Collard,** Conde-sur-Marne
(FR)

(Continued)

(73) Assignee: **ETABLISSEMENTS COLLARD,**
Bouzy (FR)

Primary Examiner — Mark A Goodwin

(74) *Attorney, Agent, or Firm* — Craft Chu PLLC;
Andrew W. Chu

(**) Term: **15 Years**

(57) **CLAIM**

(21) Appl. No.: **29/802,317**

The ornamental design for an oval-shaped pneumatic stripping head for a leaf removal machine, as shown and described.

(22) Filed: **Aug. 4, 2021**

(30) **Foreign Application Priority Data**

DESCRIPTION

Feb. 15, 2021 (WO) WIPO101881

(51) **LOC (14) Cl.** **15-03**

(52) **U.S. Cl.**
USPC **D15/28**

(58) **Field of Classification Search**
USPC D15/29, 28, 27, 11, 14, 17
CPC A01G 17/026; A01G 3/00; A01G 3/08;
A01G 3/085; A01B 41/04
See application file for complete search history.

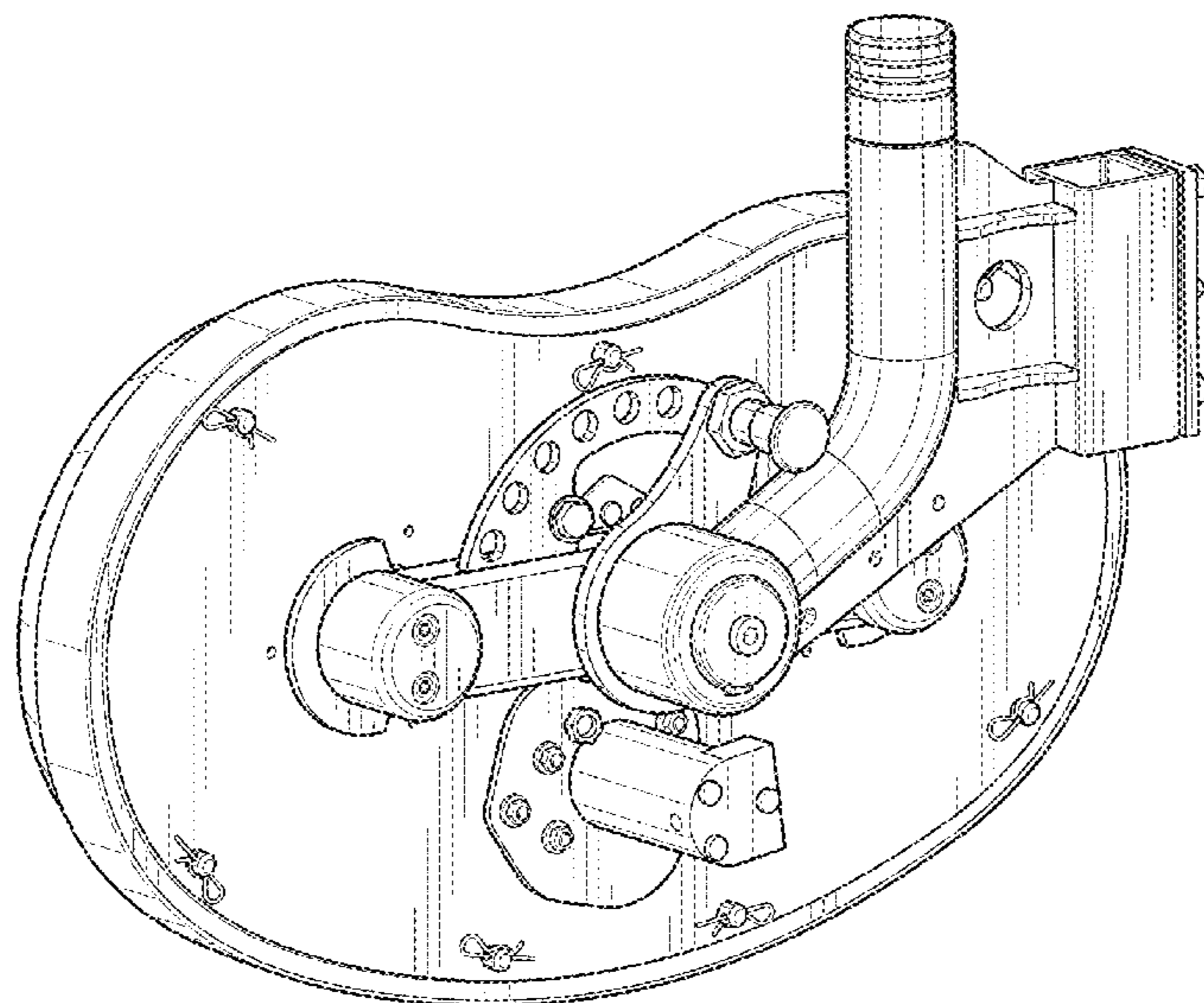
FIG. 1 is a side perspective view of the oval-shaped pneumatic stripping head for a leaf removal machine showing my design in a first configuration;
FIG. 2 is an opposite side perspective view thereof, showing the first configuration of FIG. 1;
FIG. 3 is a side perspective view thereof, showing a second configuration;
FIG. 4 is an opposite side perspective view thereof, showing the second configuration of FIG. 3;
FIG. 5 is an opposite side elevation thereof, showing the first configuration of FIG. 2;
FIG. 6 is a side elevation view thereof, showing the first configuration of FIG. 1;
FIG. 7 is a top plan view thereof, showing the first configuration of FIG. 1 and FIG. 2; and,
FIG. 8 is a bottom plan view thereof, showing the first configuration of FIG. 1 and FIG. 2.
The broken line showing in FIG. 5 is included for the purpose of illustrating portions of the oval-shaped pneumatic stripping head for a leaf removal machine only and forms no part of the claimed design.

(56) **References Cited**

U.S. PATENT DOCUMENTS

3,731,475 A * 5/1973 Balthes A01D 45/16
460/134
4,027,733 A * 6/1977 Eisenhardt A01D 47/00
171/58
4,175,368 A * 11/1979 Scheffler A01D 46/005
239/263
4,802,327 A * 2/1989 Roberts A01D 34/863
83/831
5,544,444 A * 8/1996 Oldridge A01G 3/0408
56/298

1 Claim, 4 Drawing Sheets



(56)

References Cited

U.S. PATENT DOCUMENTS

8,230,671 B2 * 7/2012 Pellenc A01G 3/0408
56/235
8,596,565 B2 12/2013 Fortin
9,049,820 B2 * 6/2015 Skipper A01G 3/04
9,247,691 B2 * 2/2016 Andros A01G 3/0408
9,386,744 B2 * 7/2016 Black A01D 34/82
9,894,823 B2 * 2/2018 Gialis A01G 17/026
10,172,300 B2 1/2019 Gialis
10,506,768 B2 * 12/2019 Albertz A01D 46/005
11,310,966 B2 * 4/2022 Collard A01B 41/04
2005/0051648 A1 3/2005 Mercier
2006/0162306 A1 * 7/2006 Schloesser A01G 17/026
56/1
2015/0201545 A1 * 7/2015 Gialis A01G 17/02
47/1.43
2021/0400886 A1 * 12/2021 Collard A01D 46/005

* cited by examiner

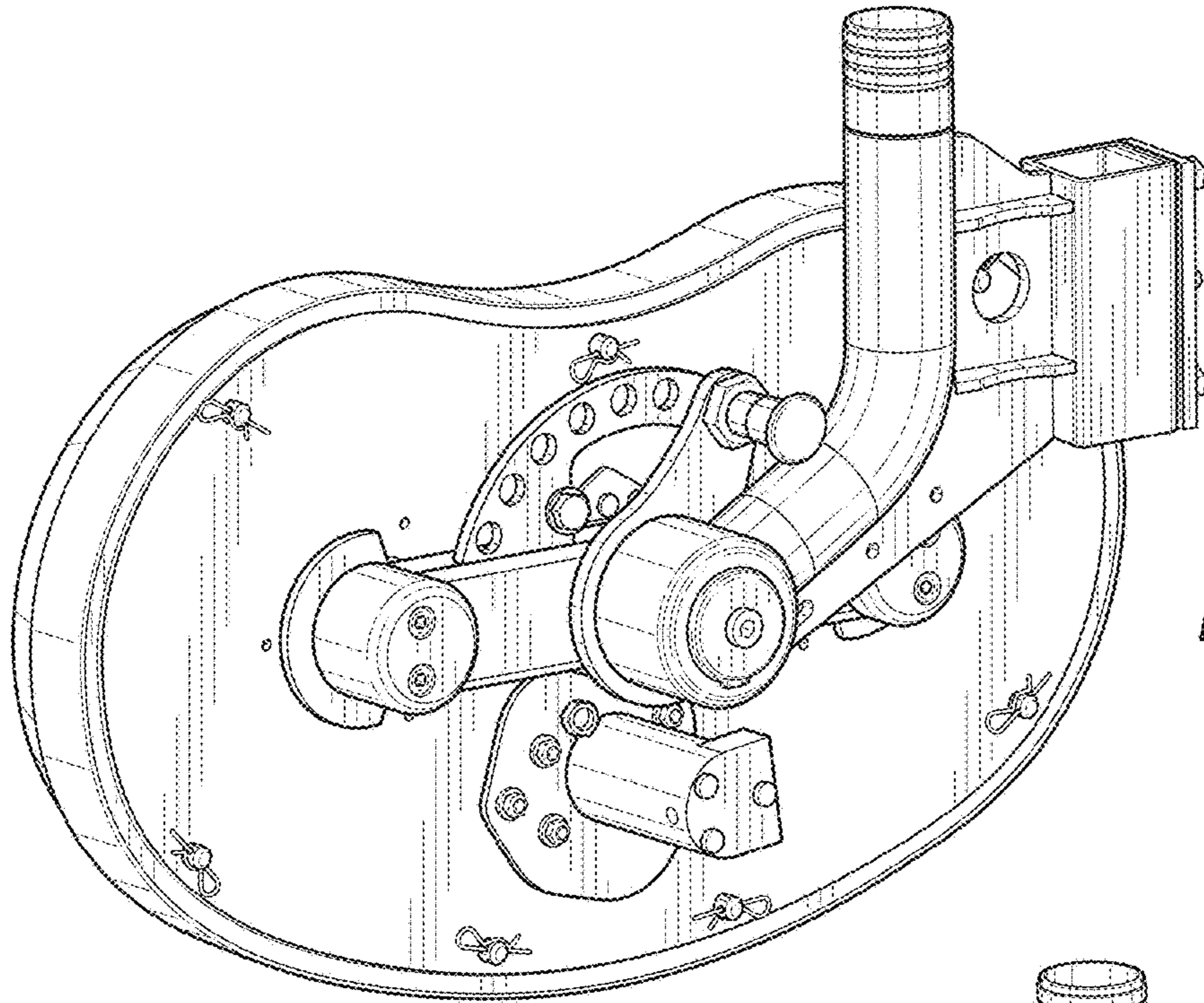


FIG. 1

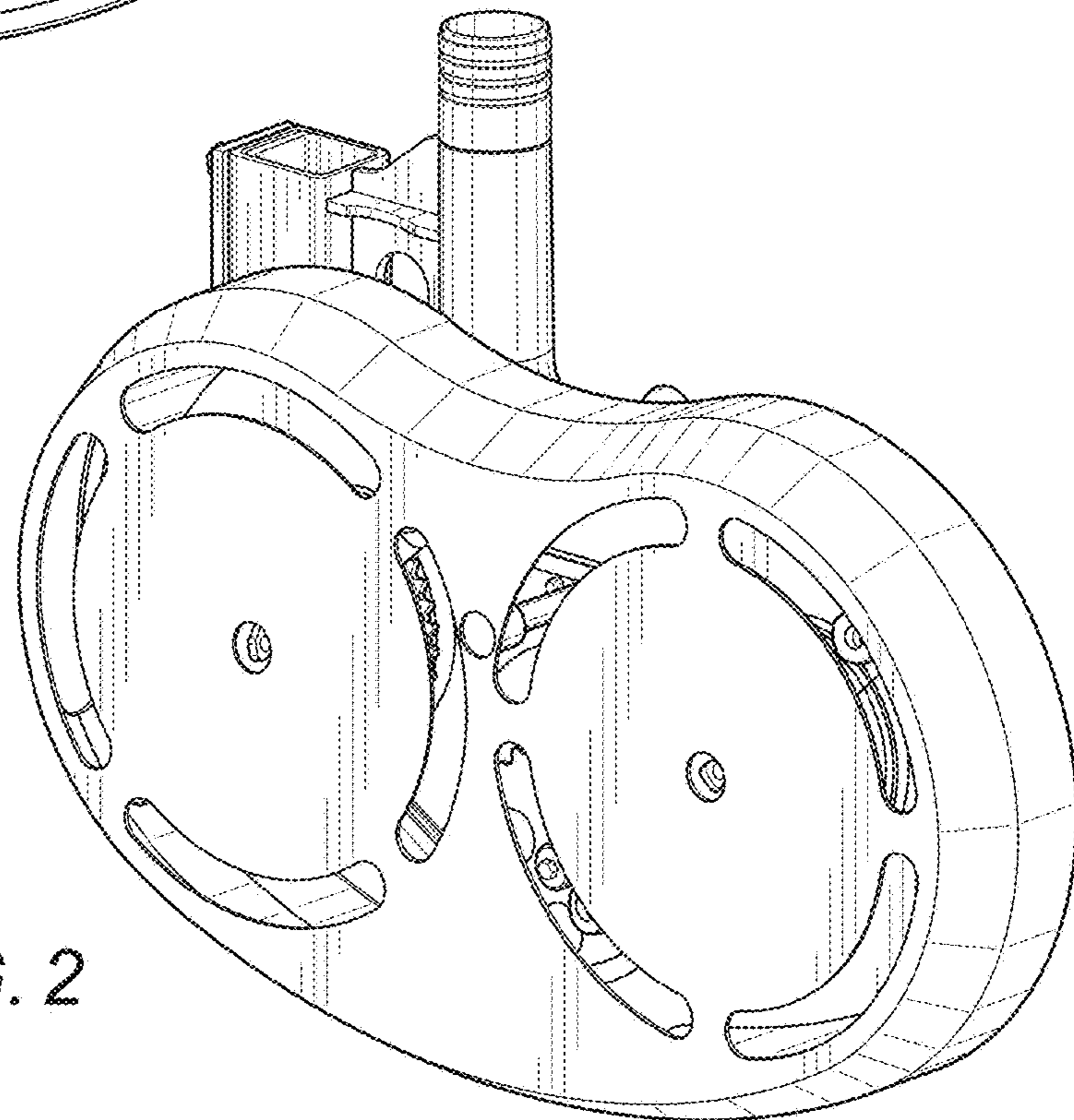


FIG. 2

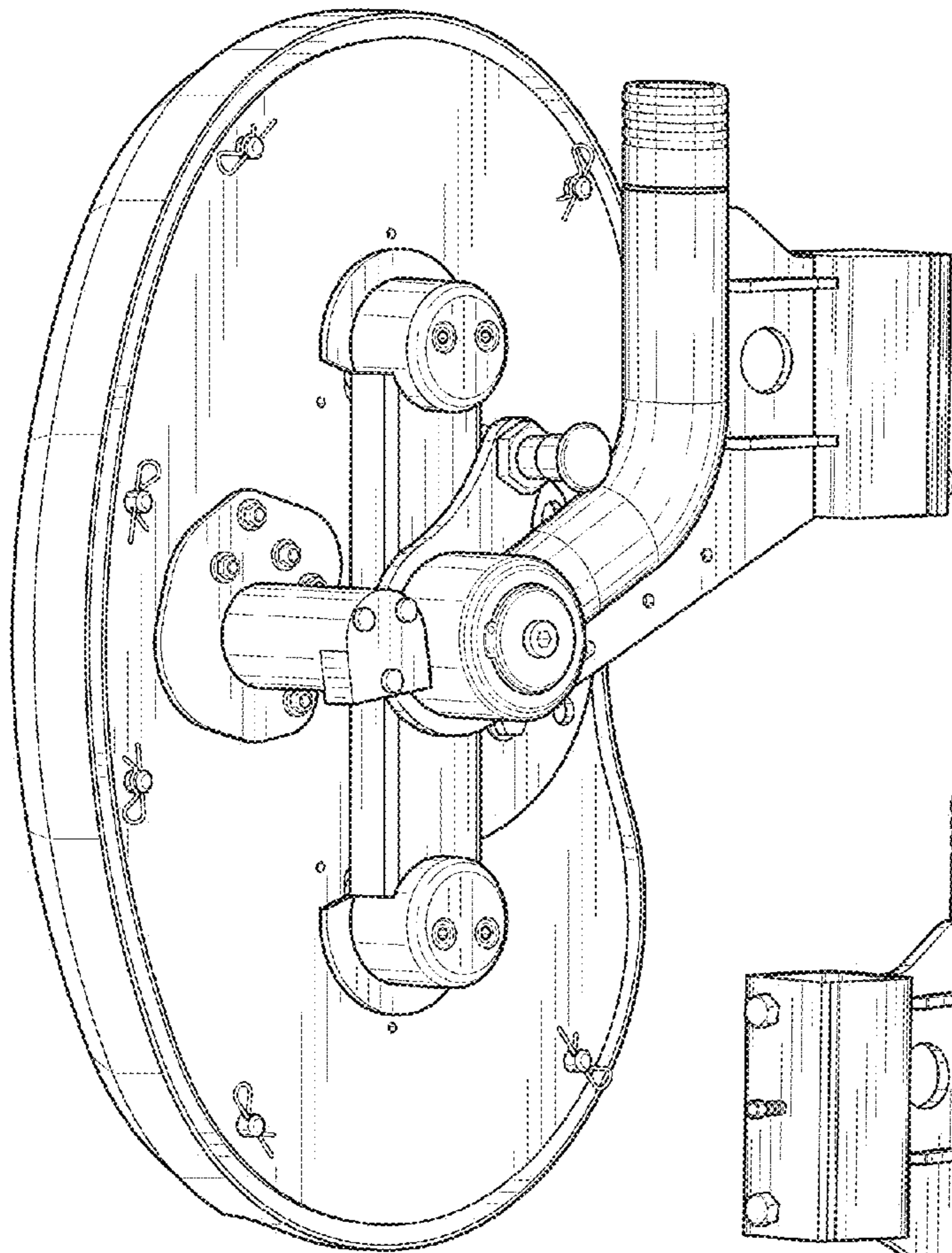


FIG. 3

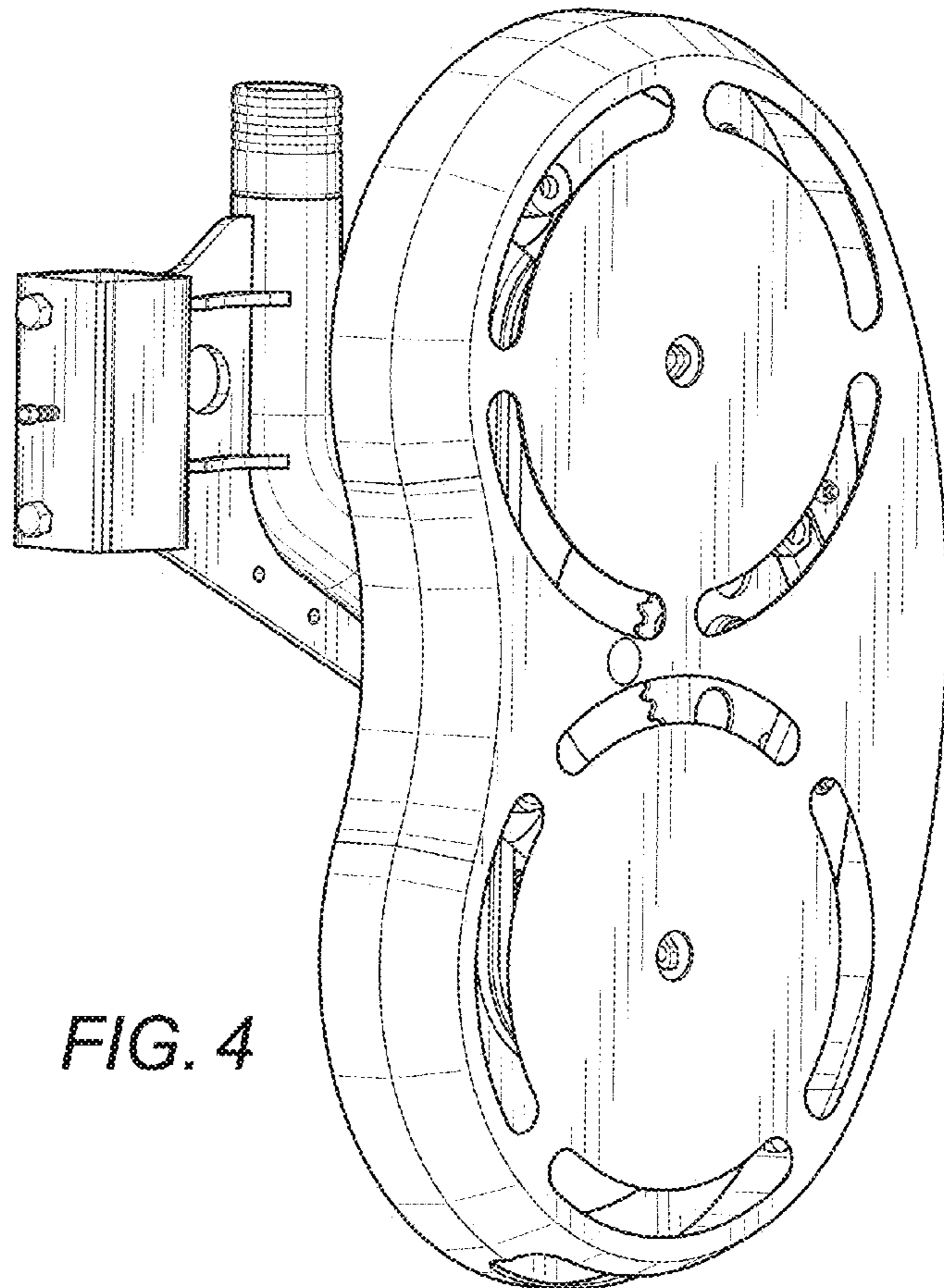


FIG. 4

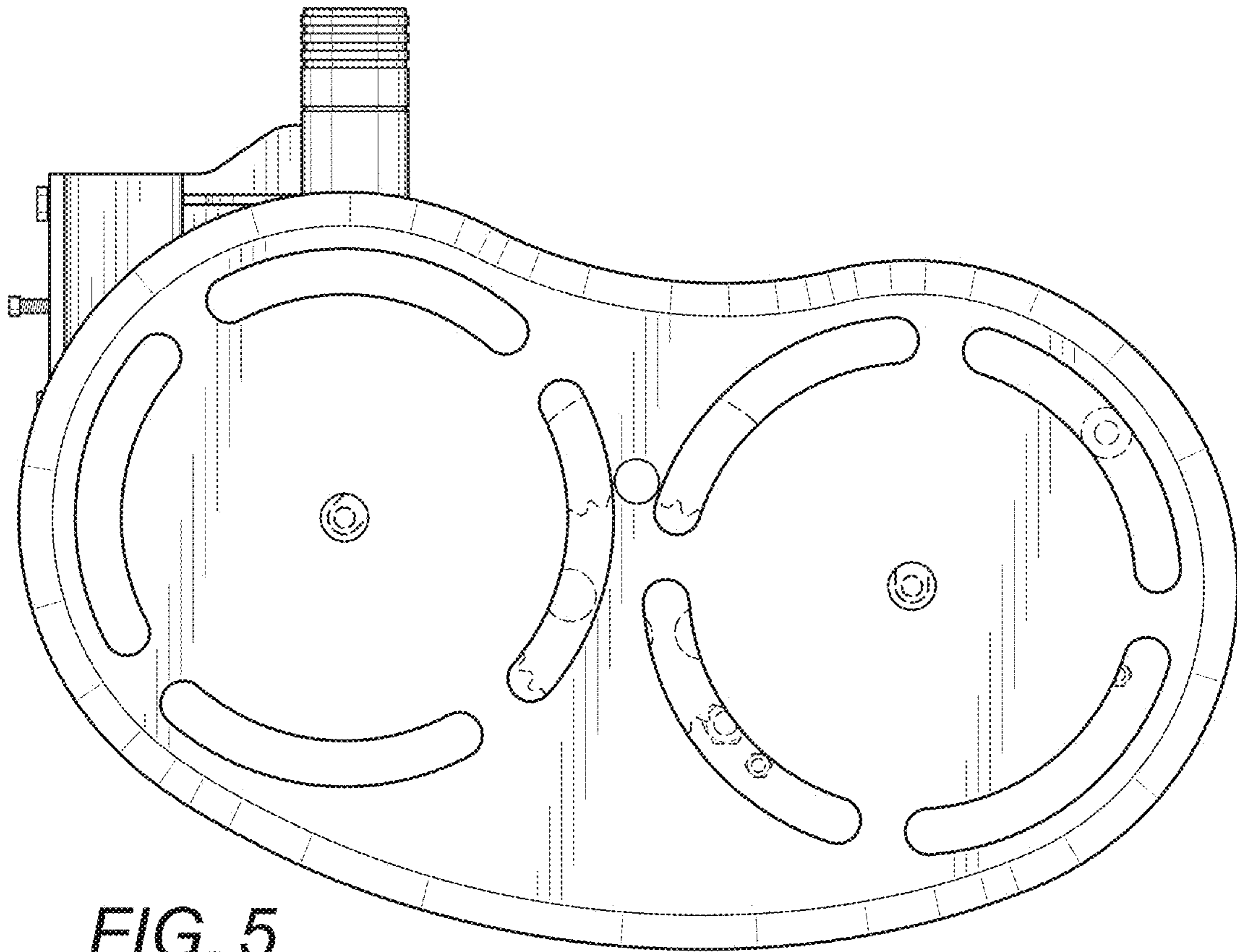


FIG. 5

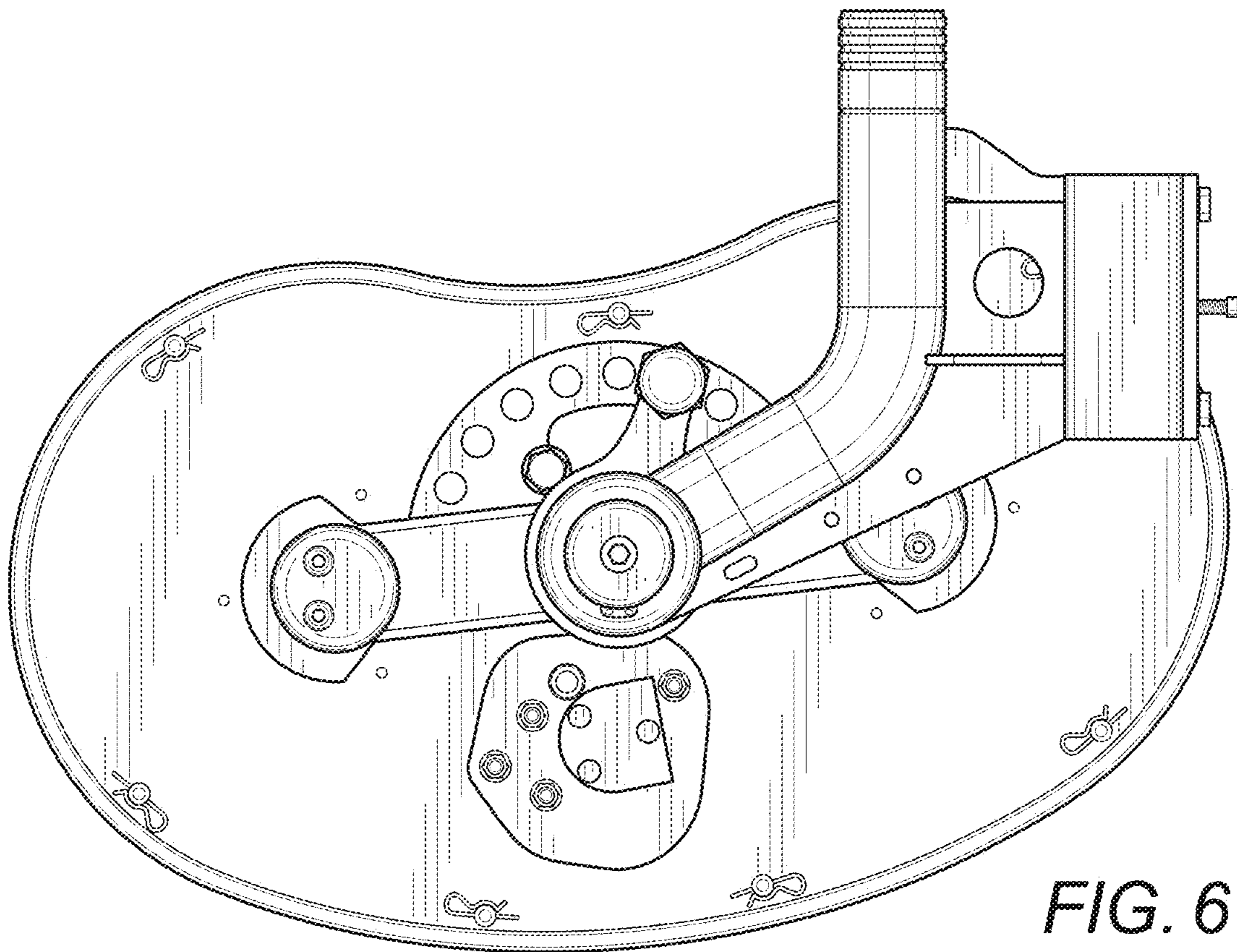


FIG. 6

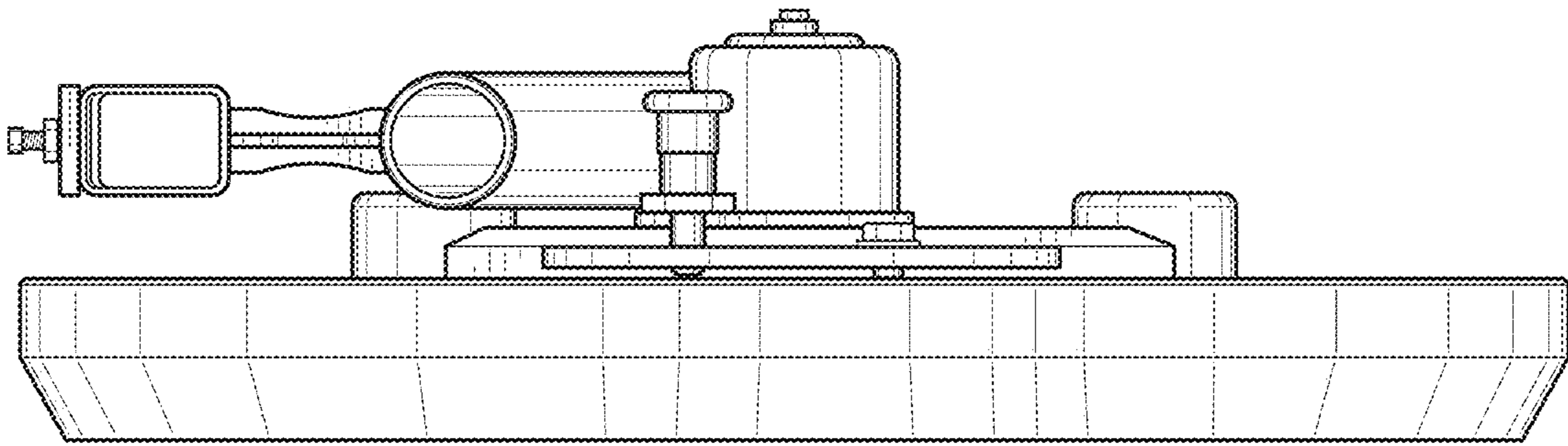


FIG. 7

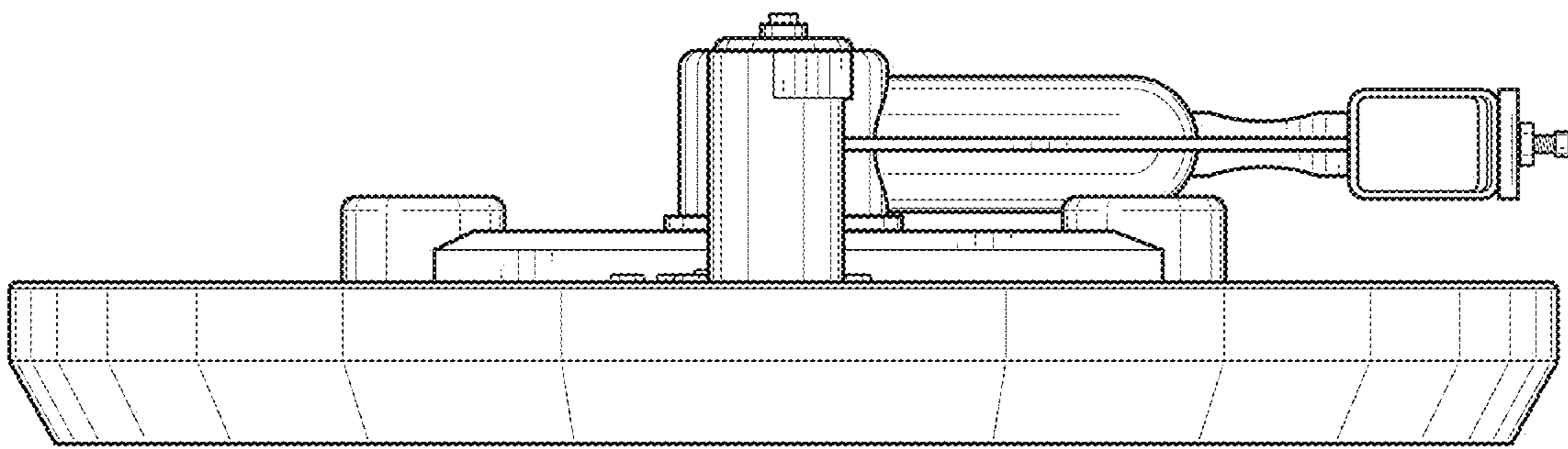


FIG. 8