



US00D984487S

(12) **United States Design Patent**
Odom et al.

(10) **Patent No.:** **US D984,487 S**

(45) **Date of Patent:** **** Apr. 25, 2023**

(54) **MANEUVERABLE VEGETATION CUTTING APPARATUS**

FOREIGN PATENT DOCUMENTS

(71) Applicant: **LANE SHARK USA, LLC**, Pensacola, FL (US)

DE	4139661	C1	2/1993
DE	19921761	A1	11/2000
GB	2050790	A	1/1981

(72) Inventors: **Travis W. Odom**, Pensacola, FL (US);
Howard W. Odom, Century, FL (US)

OTHER PUBLICATIONS

(73) Assignee: **LANE SHARK USA, LLC**, Pensacola, FL (US)

Answer to Complaint by Trailblazer Attachments, LLC filed in U.S. District Court for the Eastern District of Tennessee Southern Division, *Lane Shark US, LLC v. Titan Implement, LLC and Trailblazer Attachments, LLC*, Case No. 1:19-CV-00326 (Date Dec. 16, 2019).

(**) Term: **15 Years**

(Continued)

(21) Appl. No.: **29/806,609**

Primary Examiner — Mark A Goodwin

(22) Filed: **Sep. 3, 2021**

(74) *Attorney, Agent, or Firm* — Dorsey & Whitney LLP

(51) **LOC (14) Cl.** **15-03**

(57) **CLAIM**

(52) **U.S. Cl.**

The ornamental design for a maneuverable vegetation cutting apparatus, as shown and described.

USPC **D15/14; D15/17**

DESCRIPTION

(58) **Field of Classification Search**

USPC D15/17, 10, 14, 16; 56/14.9, 14.5, 153, 56/192, 6, 15.5, 189

CPC A01D 34/664; A01D 34/66; A01D 34/667; A01D 34/81; A01D 34/661; A01D 34/668; A01D 61/004

See application file for complete search history.

FIG. 1 is an elevated perspective view of a maneuverable vegetation cutting apparatus according to the present invention;

FIG. 2 is a front elevation view thereof;

FIG. 3 is a rear elevation view thereof;

FIG. 4 is a right side elevation view thereof;

FIG. 5 is left side elevation view thereof;

FIG. 6 is a top view thereof;

FIG. 7 is a bottom view thereof;

FIG. 8 is a bottom perspective view thereof with the arm of the brush cutter extended and the deck in a horizontal position; and,

FIG. 9 is a top perspective view thereof with the arm extended and the deck in an inclined position relative to the horizontal.

The broken line showing of mechanical elements is included for the purpose of illustrating environmental structure only and forms no part of the claimed design.

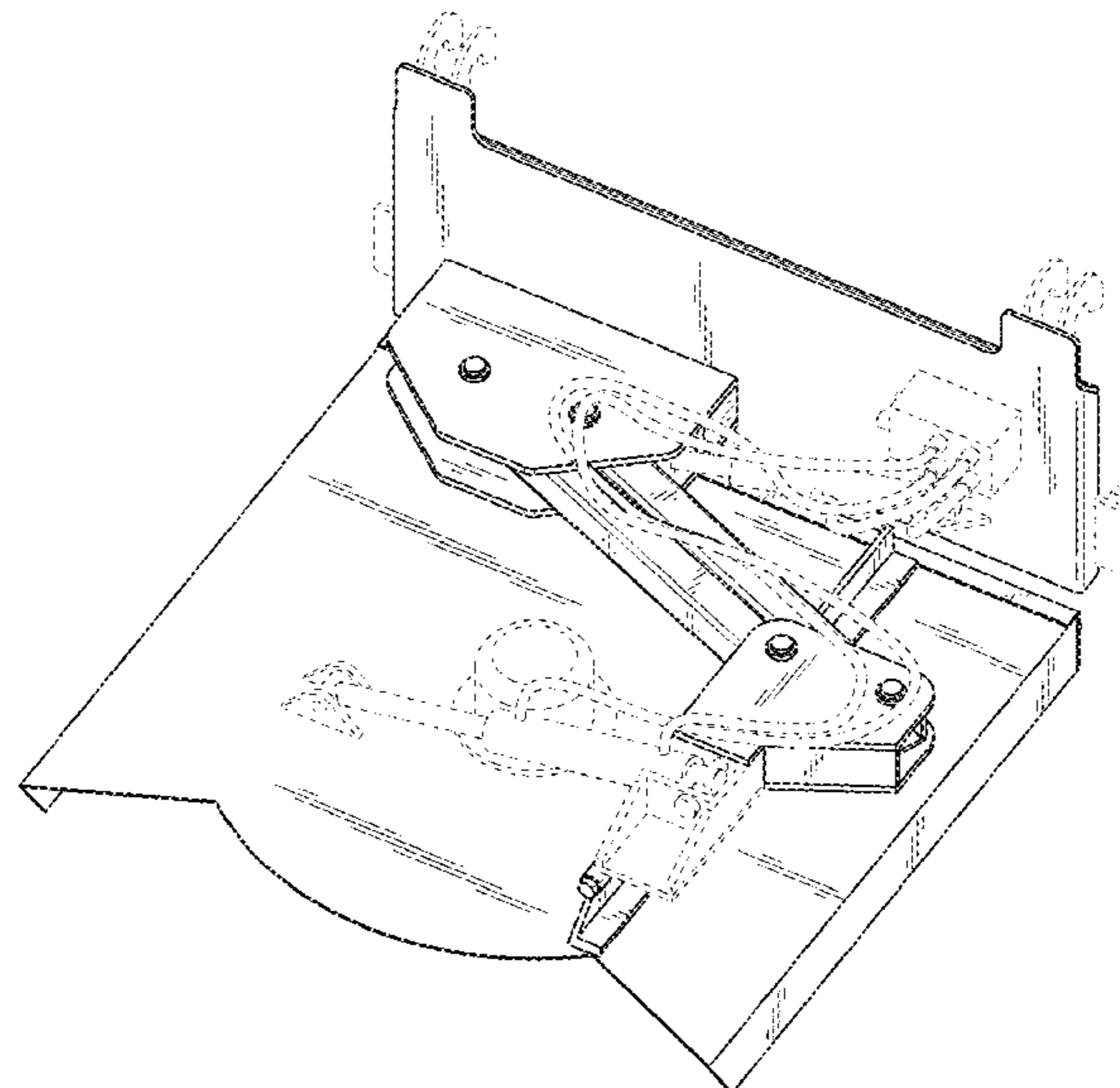
(56) **References Cited**

U.S. PATENT DOCUMENTS

3,195,249	A *	7/1965	Collins	E02F 3/7627 172/445.2
3,197,948	A *	8/1965	Danford	A01B 71/06 56/15.8
D208,364	S *	8/1967	Coss	D15/27
3,483,683	A *	12/1969	McCanse	A01D 34/866 56/15.2
3,483,905	A *	12/1969	Lawrence	A01D 34/63 144/34.1

(Continued)

1 Claim, 7 Drawing Sheets



(56)

References Cited

- U.S. PATENT DOCUMENTS
- 3,490,213 A * 1/1970 Pinto A01D 34/84
56/16.9
- 3,574,989 A * 4/1971 Rousseau E02F 5/282
37/189
- 3,599,406 A * 8/1971 Akgulian A01D 34/43
56/17.2
- 4,154,455 A * 5/1979 Murphy A01B 59/043
56/14.9
- 4,195,860 A * 4/1980 Helams A01D 67/005
56/503
- 4,241,565 A * 12/1980 Parsons, Jr. A01D 34/866
56/233
- 4,445,312 A * 5/1984 Cartner A01D 75/20
56/320.1
- 4,802,327 A * 2/1989 Roberts A01D 34/863
83/831
- 4,912,916 A * 4/1990 Parsons, Jr. A01D 34/866
56/235
- D316,101 S * 4/1991 McCanse D15/27
- 5,005,344 A * 4/1991 McCracken A01D 34/63
56/14.7
- 5,343,680 A * 9/1994 Reichen A01D 75/30
56/294
- 5,392,593 A * 2/1995 Emery A01D 34/866
56/15.2
- 5,435,117 A * 7/1995 Eggena A01D 34/27
56/10.2 D
- 5,459,984 A 10/1995 Reichen et al.
- D379,822 S * 6/1997 Kishi D15/28
- 5,657,620 A * 8/1997 Thagard A01D 34/64
56/320.1
- 5,822,961 A * 10/1998 Busboom A01D 34/6806
56/11.4
- 6,052,980 A * 4/2000 Friesen A01D 34/81
56/16.9
- D424,071 S * 5/2000 Bickford D15/27
- D435,564 S * 12/2000 Klasson D15/17
- D445,432 S * 7/2001 Bickford D15/27
- 6,308,503 B1 * 10/2001 Scag A01D 34/685
56/16.9
- 6,347,503 B1 * 2/2002 Esau A01D 34/64
56/15.9
- 6,662,835 B1 * 12/2003 Gengler A01G 23/091
144/34.1
- D501,215 S * 1/2005 Steele D15/17
- 7,093,414 B2 * 8/2006 Washburn A01D 34/64
56/14.9
- 7,175,380 B2 * 2/2007 Wilson A01D 34/866
56/14.7
- D547,332 S * 7/2007 Degelman D15/27
- D569,392 S * 5/2008 Lonergan D15/27
- D660,875 S * 5/2012 Mabey D15/27
- D670,315 S * 11/2012 Fraley D15/27
- D719,981 S * 12/2014 Miller D15/27
- D757,122 S * 5/2016 Banjo D15/14
- 9,554,514 B2 * 1/2017 Marotte A01D 67/005
- D800,179 S * 10/2017 Nielsen D15/17
- D800,180 S * 10/2017 Nielsen D15/17
- 10,470,364 B1 * 11/2019 Odom A01D 34/866
- D888,105 S * 6/2020 Pederson D15/17
- 10,905,044 B1 * 2/2021 Odom A01D 34/866
- 11,284,563 B1 * 3/2022 Odom A01D 34/82
- 11,382,265 B1 * 7/2022 Odom A01D 34/82
- 11,564,356 B2 * 1/2023 Grice A01G 3/085
- 2002/0104301 A1 * 8/2002 Langworthy A01D 34/71
56/320.2
- 2006/0010846 A1 * 1/2006 Koehn A01D 34/74
56/14.7
- 2006/0026938 A1 * 2/2006 Cartner A01D 34/863
56/6
- 2007/0074496 A1 * 4/2007 Sundberg A01D 34/001
56/15.6
- 2009/0100817 A1 * 4/2009 Godfrey A01D 34/662
56/14.7
- 2012/0049035 A1 * 3/2012 Black F16M 11/10
248/425
- 2014/0026528 A1 * 1/2014 Thiboutot A01D 34/03
403/53
- 2015/0052867 A1 * 2/2015 Castelli A01D 34/84
56/229
- 2016/0076219 A1 * 3/2016 Martinez E02F 3/96
414/800
- 2016/0106020 A1 * 4/2016 Akahane A01D 34/66
56/17.1
- 2017/0071126 A1 * 3/2017 Eubanks A01D 34/866
- 2018/0338421 A1 * 11/2018 Christian E02F 3/3654
- 2019/0289789 A1 * 9/2019 Grice A01D 34/866
- 2021/0219491 A1 * 7/2021 Markham A01D 34/74
- 2021/0227748 A1 * 7/2021 Thompson A01D 34/866
- 2021/0329833 A1 * 10/2021 Steiner A01D 34/52
- OTHER PUBLICATIONS
- Complaint filed in U.S. District Court for the Eastern District of Tennessee Southern Division, *Lane Shark US, LLC v. Titan Implement, LLC and Trailblazer Attachments, LLC*, Case No. 1:19-CV-00326 (Date Nov. 14, 2019).
- Declaration of Charles Terry Marsh filed in U.S. District Court for the Eastern District of Tennessee Southern Division, *Lane Shark US, LLC v. Titan Implement, LLC and Trailblazer Attachments, LLC*, Case No. 1:19-CV-00326 (Date Dec. 9, 2019).
- Declaration of Duerwood Willis II filed in U.S. District Court for the Eastern District of Tennessee at Chattanooga, *Lane Shark US, LLC v. Titan Implement, LLC and Trailblazer Attachments, LLC*, Case No. 1:19-CV-00326 (Date Jan. 6, 2020).
- Declaration of Gordan Howell filed in U.S. District Court for the Eastern District of Tennessee Southern Division, *Lane Shark US, LLC v. Titan Implement, LLC and Trailblazer Attachments, LLC*, Case No. 1:19-CV-00326 (Date Dec. 9, 2019).
- Declaration of Kyler Kaeser filed in U.S. District Court for the Eastern District of Tennessee Southern Division, *Lane Shark US, LLC v. Titan Implement, LLC and Trailblazer Attachments, LLC*, Case No. 1:19-CV-00326 (Date Jan. 7, 2020).
- Declaration of Mark Miller filed in U.S. District Court for the Eastern District of Tennessee Southern Division, *Lane Shark US, LLC v. Titan Implement, LLC and Trailblazer Attachments, LLC*, Case No. 1:19-CV-00326 (Date Dec. 9, 2019).
- Declaration of Travis Odom filed in U.S. District Court for the Eastern District of Tennessee Southern Division, *Lane Shark US, LLC v. Titan Implement, LLC and Trailblazer Attachments, LLC*, Case No. 1:19-CV-00326 (Date Dec. 9, 2019).
- Defendants Brief filed in U.S. District Court for the Eastern District of Tennessee at Chattanooga, *Lane Shark US, LLC v. Titan Implement, LLC and Trailblazer Attachments, LLC*, Case No. 1:19-CV-00326 (Date Dec. 31, 2019).
- Ferri, Product description and owner's manual for boom mowers for agriculture and green areas light green maintenance, models T250A, T320A, T320A/R, available at: <http://www.ferrisrl.it/products/boom-mowers/t-series/t320a> (accessed Mar. 4, 2020).
- Hardee by EVH MFG Co., Operator's and maintenance manual for hydraulic rotary mover, model MITI Mike—35, released Apr. 1, 2012.
- Limb Ninja Flyer (n.d.) Retrieved Nov. 13, 2019 from <https://www.limbninja.com>.
- Memorandum Supporting Motion for Preliminary Injunction filed in U.S. District Court for the Eastern District of Tennessee S. Division, *Lane Shark US, LLC v. Titan Implement, LLC and Trailblazer Attachments, LLC*, Case No. 1:19-CV-00326 (Date Dec. 9, 2019).
- Motion for Preliminary Injunction filed in U.S. District Court for the Eastern District of Tennessee Southern Division, *Lane Shark USA, LLC v. Titan Implement, LLC and Trailblazer Attachments, LLC*, Case No. 1:19-CV-00326 (Date Dec. 9, 2019).
- Reply Supporting Motion for Preliminary Injunction filed in U.S. District Court for the Eastern District of Tennessee Southern Divi-

(56)

References Cited

OTHER PUBLICATIONS

sion, *Lane Shark US, LLC v. Titan Implement, LLC and Trailblazer Attachments, LLC*, Case No. 1:19-CV-00326 (Date Jan. 7, 2020).

Sabre Samurai Operator's manual, available at: <https://www.cutthat.com/wp-content/uploads/2016/04/Sabre-Samurai-Manual.pdf> (accessed Mar. 4, 2020).

Third Declaration of Travis Odom filed in U.S. District Court for the Eastern District of Tennessee Southern Division, *Lane Shark US, LLC v. Titan Implement, LLC and Trailblazer Attachments, LLC*, Case No. 1:19-CV-00326 (Date Jan. 7, 2020).

Titan Attachments, Flail mower owner's manual for model Nos. AGL125, AGL145 and AGL165, available at: <http://www.titanmanuals.com/pdfs/AGL.pdf> (accessed Mar. 4, 2020).

Unopposed Motion for Leave to Exceed Page Limit filed in U.S. District Court for the Eastern District of Tennessee Southern Division, *Lane Shark US, LLC v. Titan Implement, LLC and Trailblazer Attachments, LLC*, Case No. 1:19-CV-00326 (Date Dec. 9, 2019).

* cited by examiner

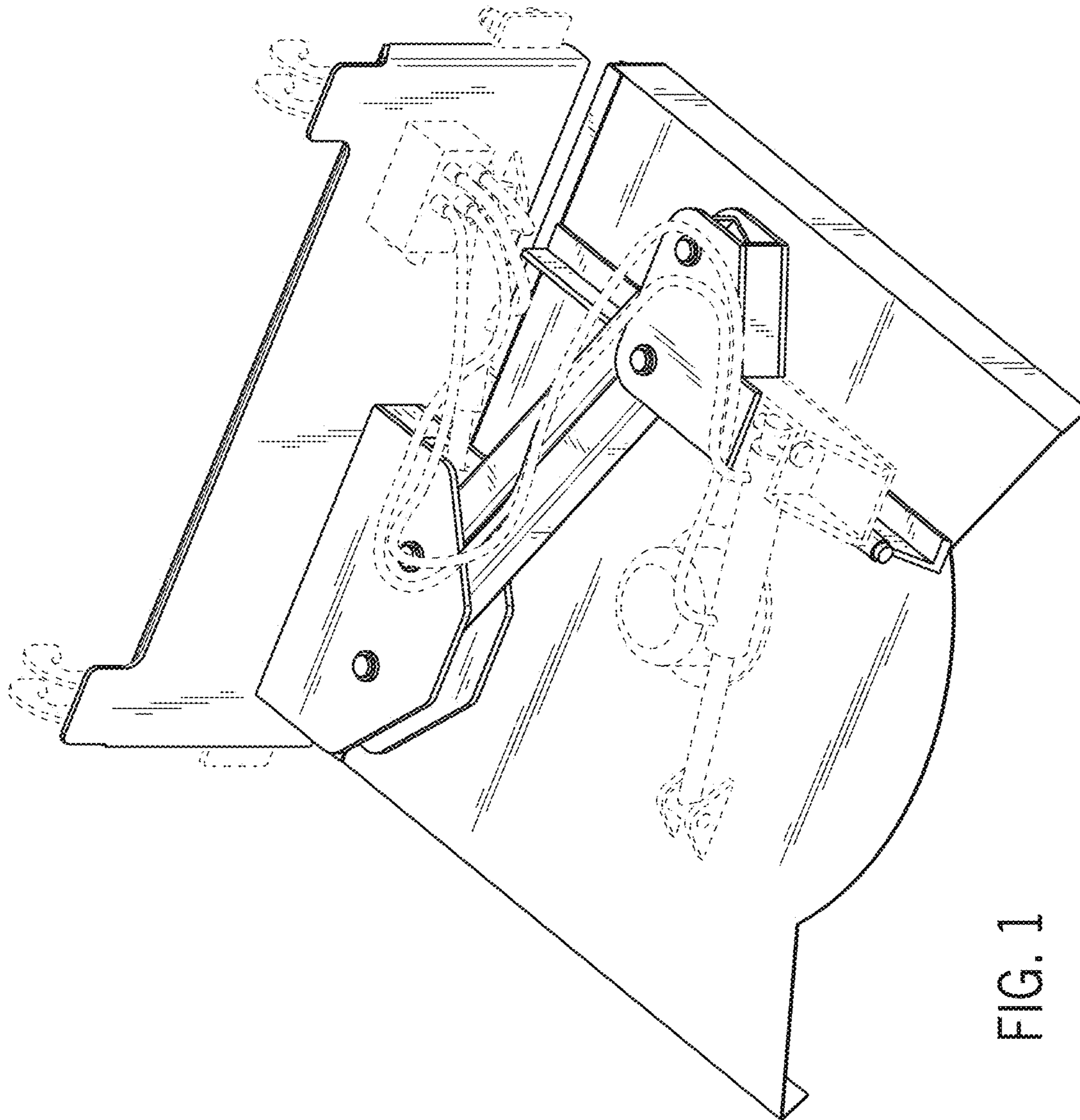


FIG. 1

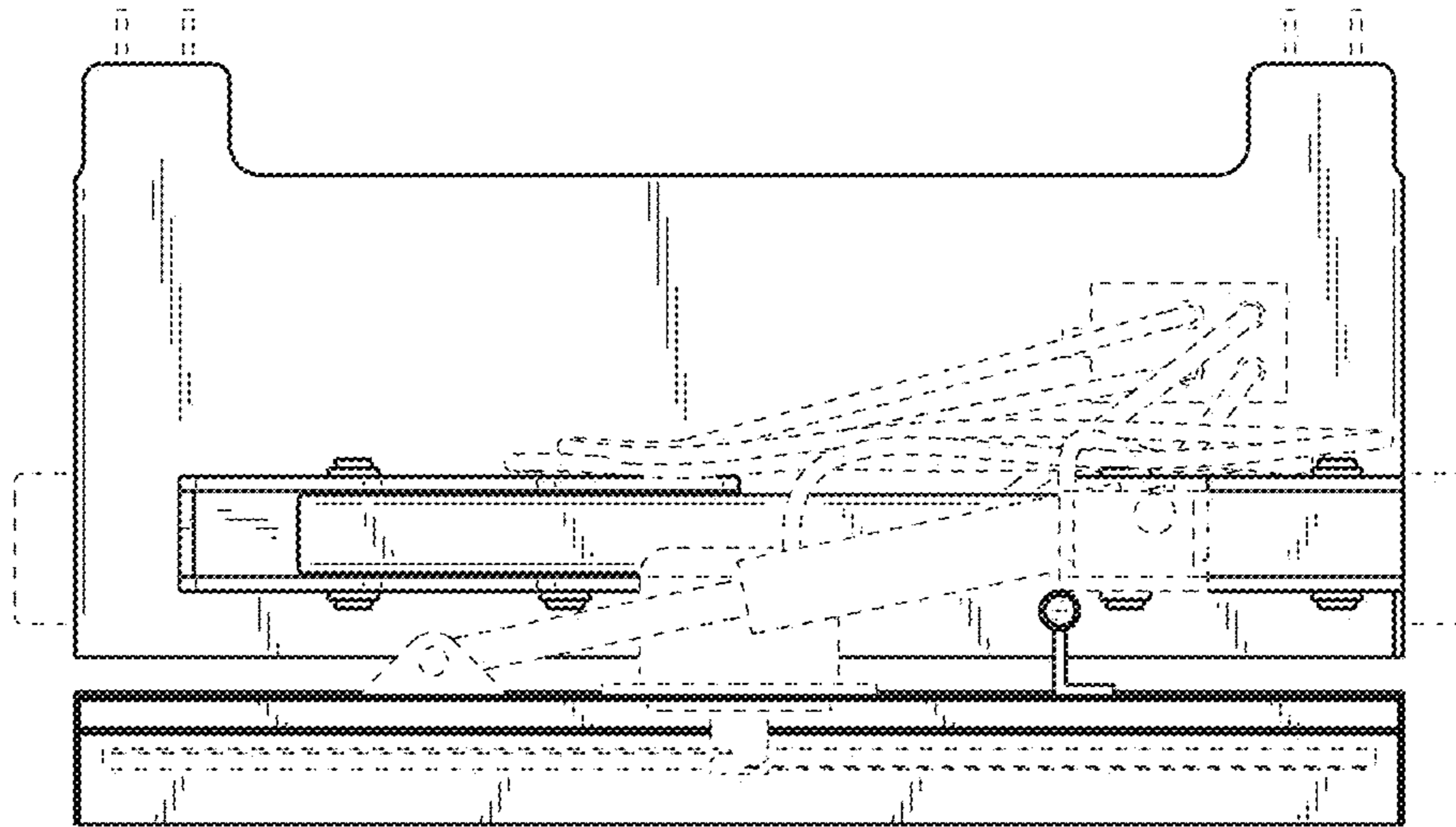


FIG. 2

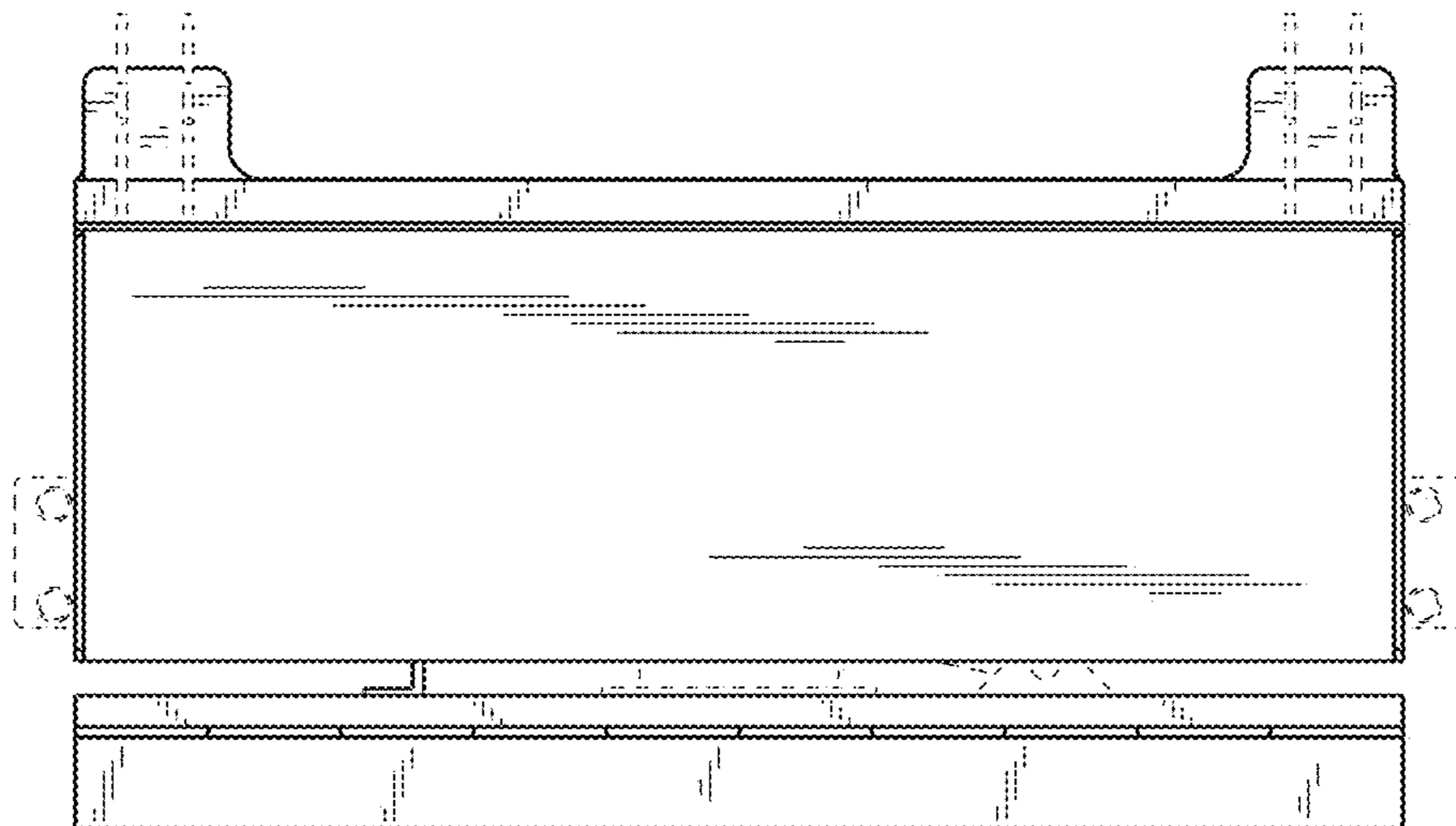


FIG. 3

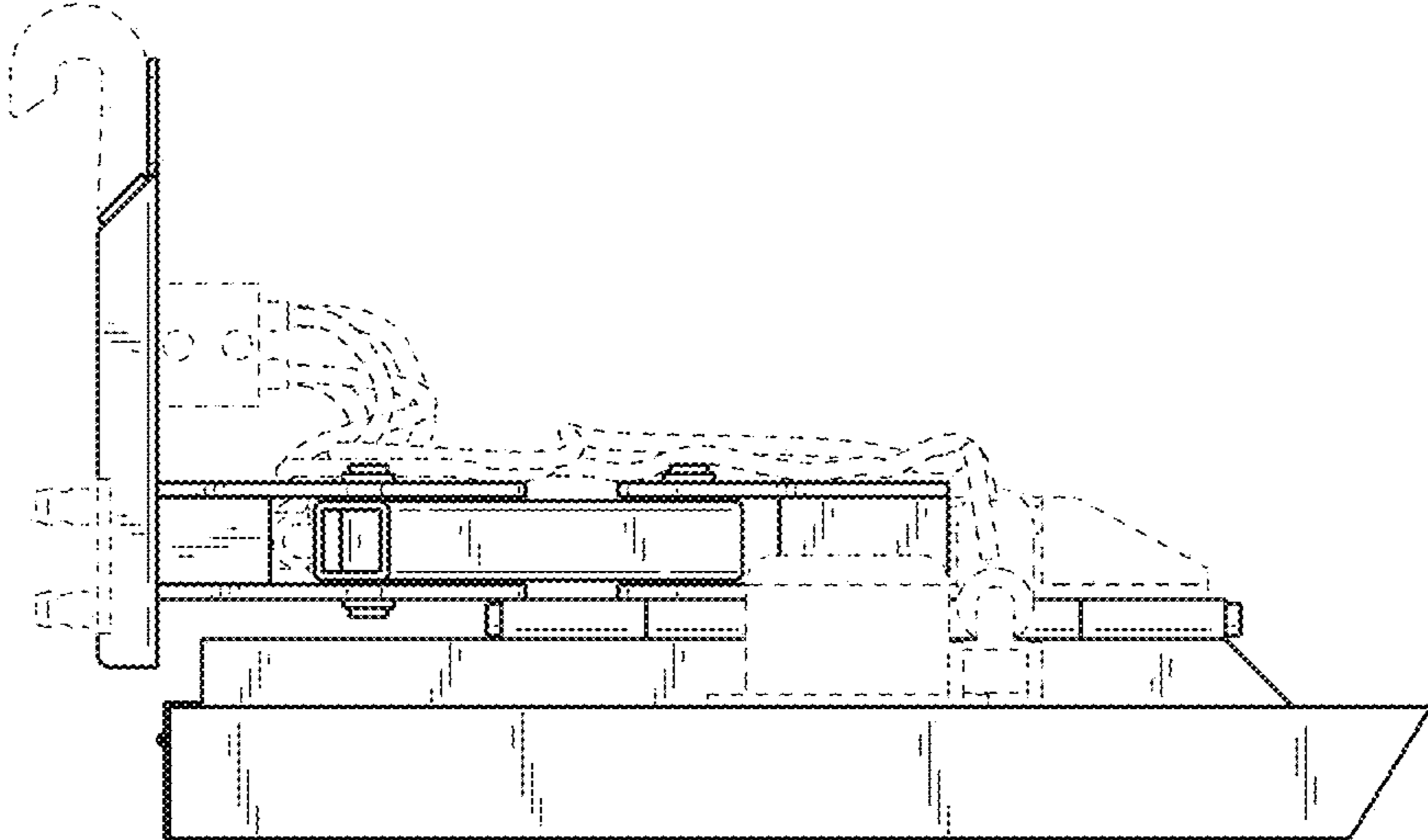


FIG. 4

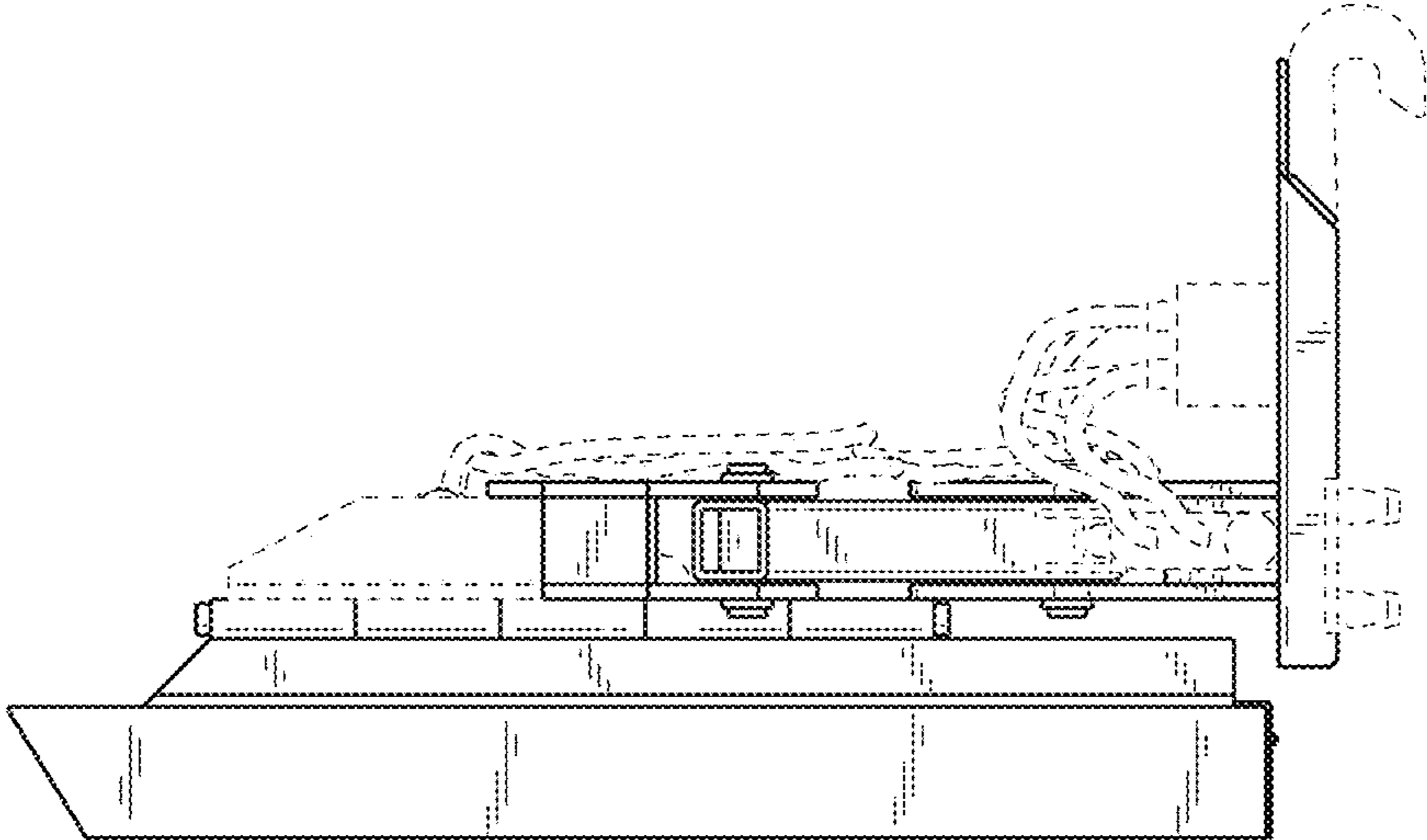


FIG. 5

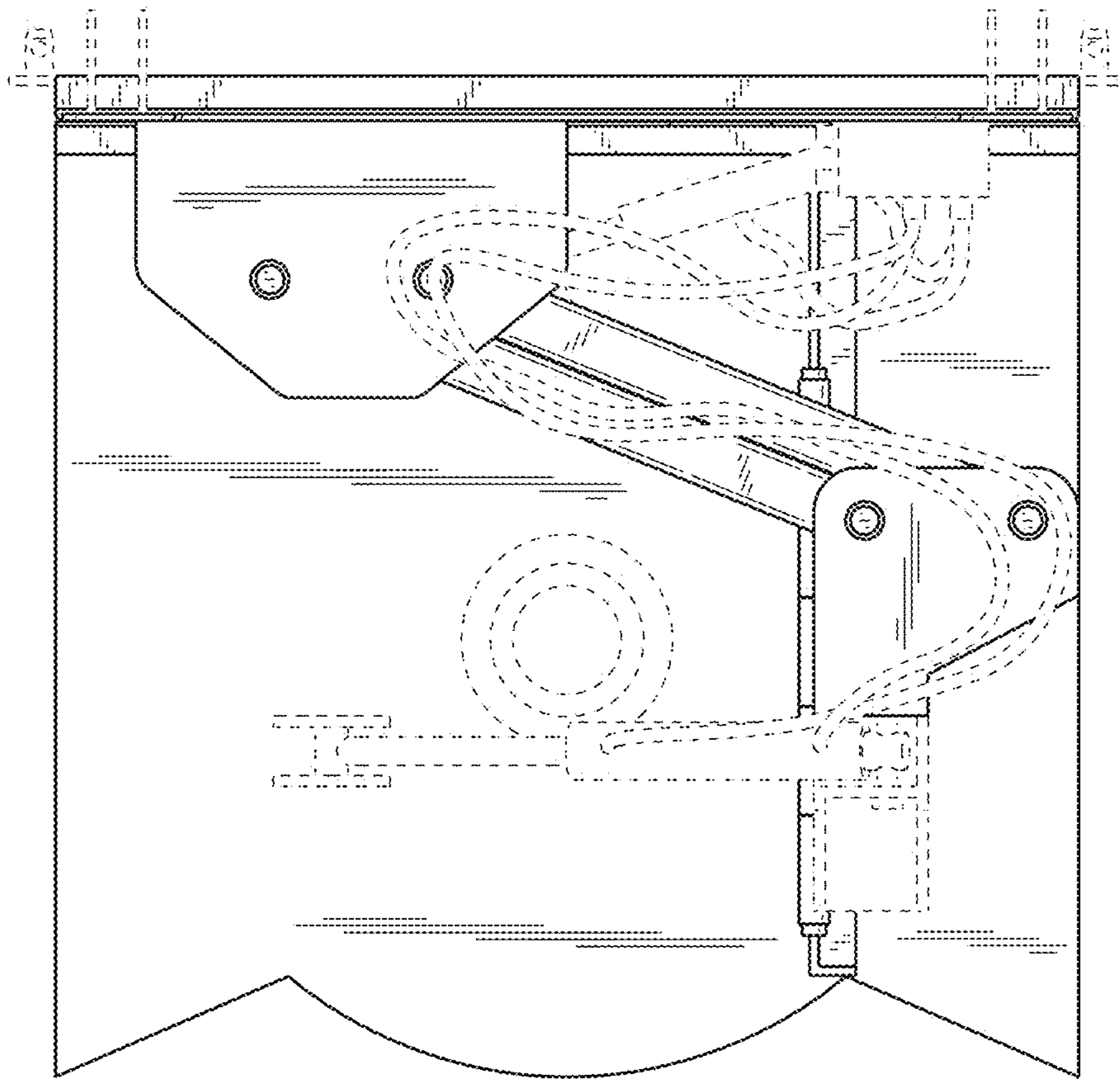


FIG. 6

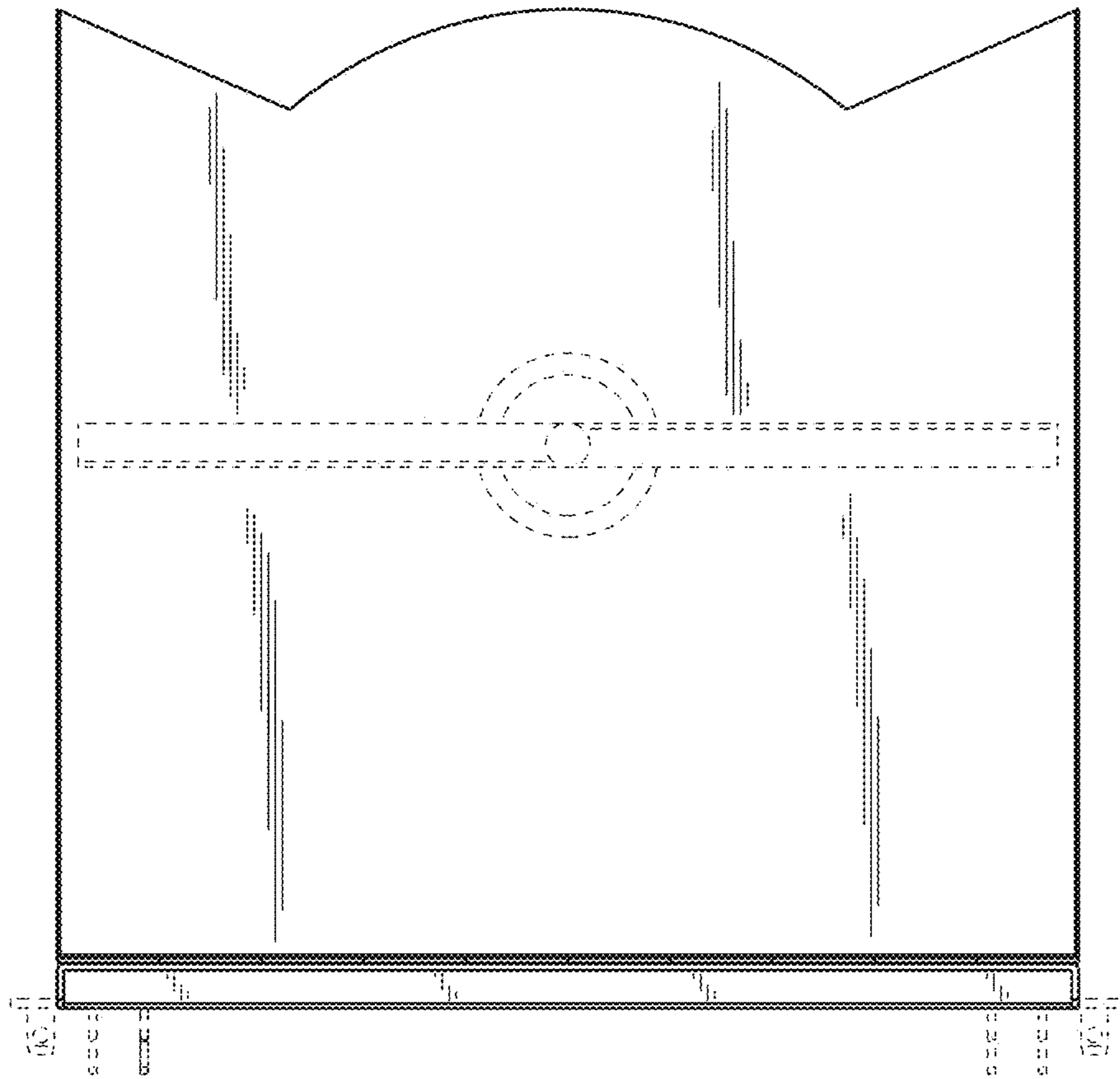


FIG. 7

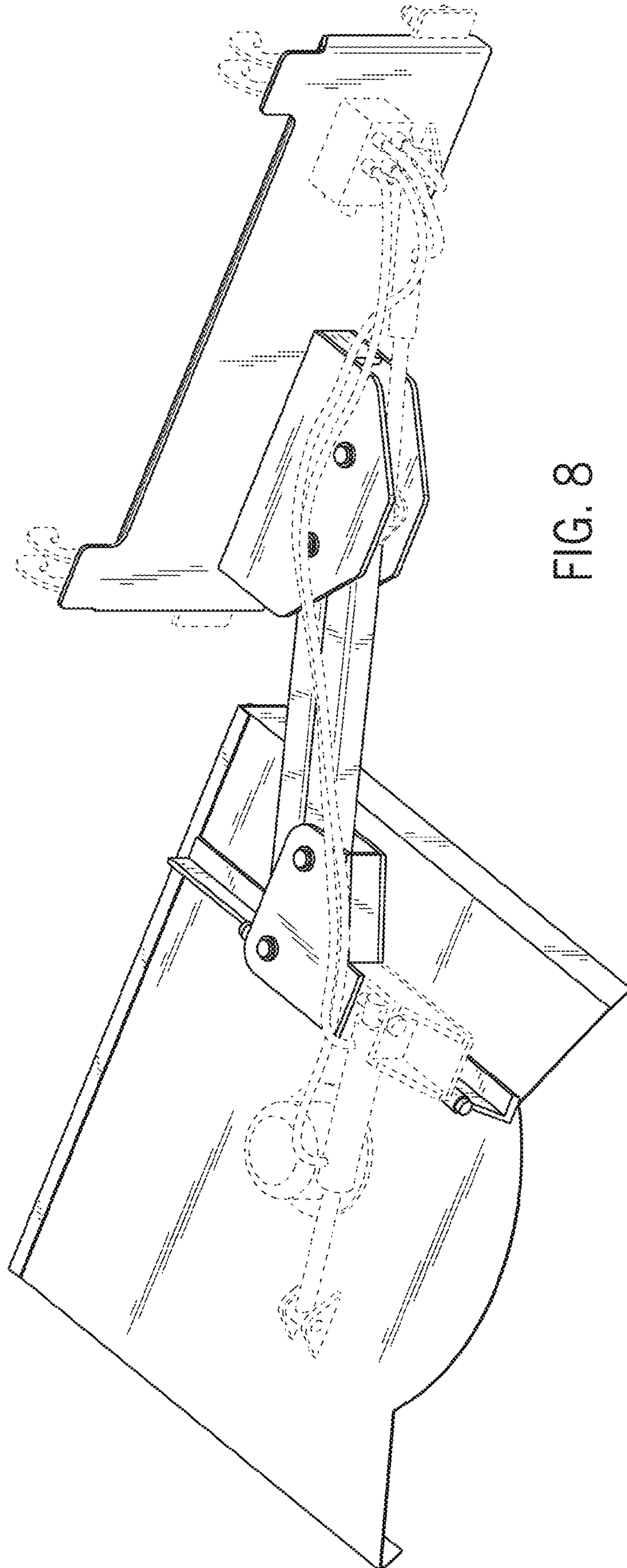


FIG. 8

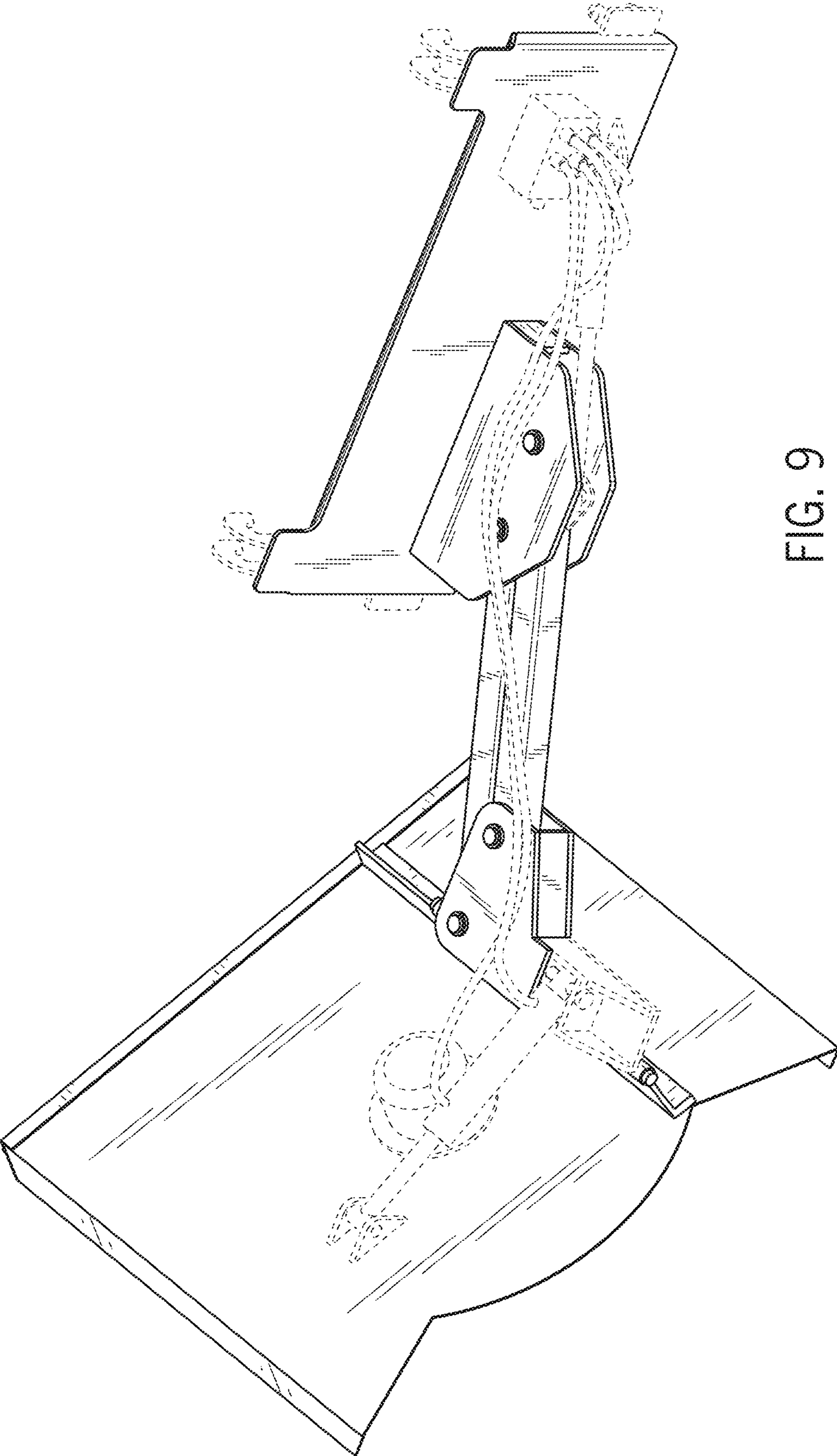


FIG. 9