



US00D984486S

(12) **United States Design Patent**
Vintzel

(10) **Patent No.:** **US D984,486 S**

(45) **Date of Patent:** **** Apr. 25, 2023**

(54) **AIR COMPRESSOR**

(71) Applicant: **Harbor Freight Tools USA, Inc.**,
Calabasas, CA (US)

(72) Inventor: **James Constantine Vintzel**, Jackson,
TN (US)

(73) Assignee: **HARBOR FREIGHT TOOLS USA,
INC.**, Calabasas, CA (US)

(**) Term: **15 Years**

(21) Appl. No.: **29/794,112**

(22) Filed: **Jun. 10, 2021**

(51) **LOC (14) Cl.** **15-02**

(52) **U.S. Cl.**
USPC **D15/9**

(58) **Field of Classification Search**
USPC D13/103, 112; D15/7-9
CPC .. E03B 5/00; F04B 41/02; F04B 41/06; F04B
35/04; F04B 35/06; F04B 25/00; F04B
17/06; F04B 17/03; F04B 53/18; F04B
23/00; F04B 41/00; F04C 2210/221;
F04C 2240/30

See application file for complete search history.

(56) **References Cited**

U.S. PATENT DOCUMENTS

D579,462 S	*	10/2008	Leasure	D15/7
D604,746 S	*	11/2009	Nishido	D15/7
D893,553 S	*	8/2020	Vintzel	D15/7
D902,260 S	*	11/2020	Vintzel	D15/7
D911,394 S	*	2/2021	Vintzel	D15/7
D935,487 S	*	11/2021	Chen	D15/7
D941,364 S	*	1/2022	Balma	D15/9
D947,903 S	*	4/2022	Francis	D15/7
2018/0320677 A1	*	11/2018	Thackery	F04B 41/02

OTHER PUBLICATIONS

Harbor Freight, Bauer 1.6 Gallon 135 PSI 20V Brushless Cordless Air Compressor, (site visited Sep. 22, 2022), Harbor Freight Website, URL:<<https://www.harborfreight.com/16-gallon-135-psi-20v-brushless-cordless-air-compressor-tool-only-57394.html>> (Year: 2022).*

(Continued)

Primary Examiner — Calvin E Vansant

Assistant Examiner — Mark T. Philipps

(74) *Attorney, Agent, or Firm* — McAndrews Held & Malloy, Ltd.

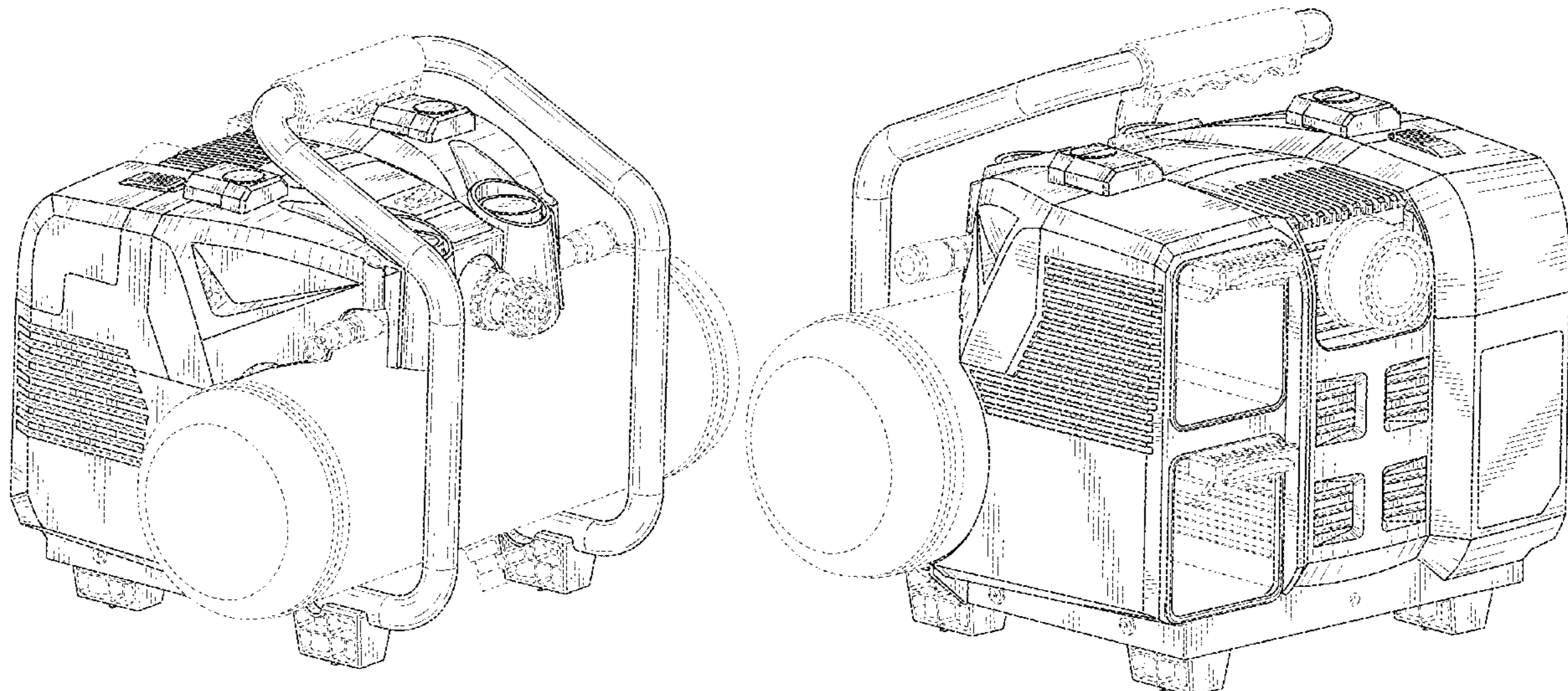
(57) **CLAIM**

The ornamental design for an air compressor, as shown and described.

DESCRIPTION

FIG. 1 is a top and front perspective view of an air compressor showing my new design; FIG. 2 is a top and rear perspective view thereof; FIG. 3 is a front elevation thereof; FIG. 4 is a rear elevation view thereof; FIG. 5 is a right side elevation view thereof; FIG. 6 is a left side elevation view thereof; FIG. 7 is a top plan view thereof; FIG. 8 is a bottom plan view thereof; FIG. 9 is another top and front perspective view thereof, showing an accessory compartment cover in an opened configuration; FIG. 10 is another top and rear perspective view thereof, showing the accessory compartment cover in an opened configuration; and, FIG. 11 is another top plan view thereof, showing the accessory compartment cover in an opened configuration. The dashed broken lines in the figures illustrate portions of the air compressor that form no part of the claimed design.

1 Claim, 11 Drawing Sheets



(56)

References Cited

OTHER PUBLICATIONS

Mandomassive, Bauer battery powered 1.6 gallon compressor, (posted Mar. 3, 2021), Reddit.com, URL:<https://www.reddit.com/r/harborfreight/comments/lxb3k3/bauer_battery_powered_16_gallon_compressor/> (Year: 2021).*

AgriEuro, Einhell TE-AC 3668 Li F Air Compressor, (site visited Sep. 22, 2022), AgriEuro website, URL:<<https://www.agriEuro.co.uk/einhell-te-ac-36-6-8-li-battery-operated-air-compressor-without-batteries-and-charger-p-22294.html>> (Year: 2022).*

* cited by examiner

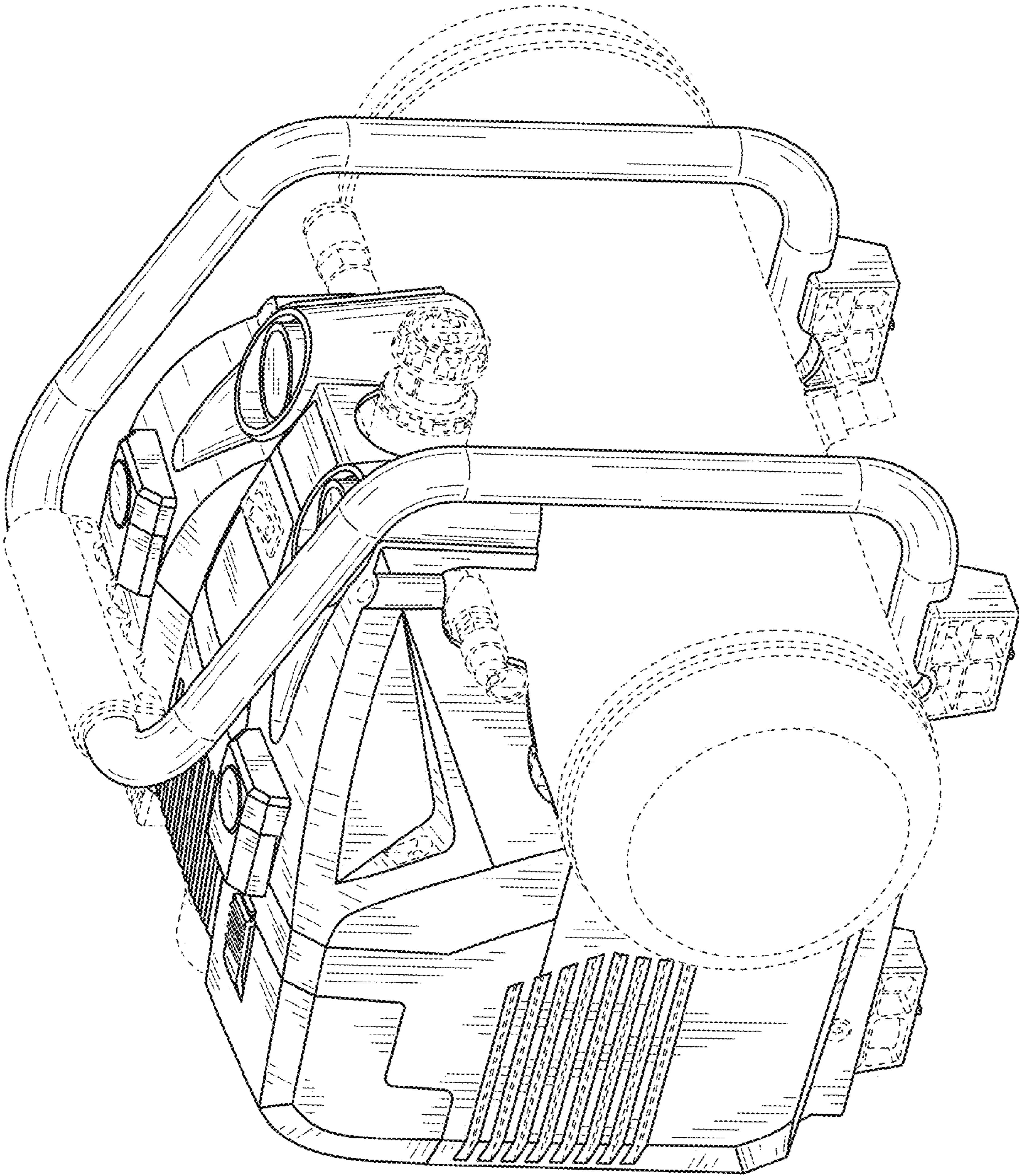


FIG. 1

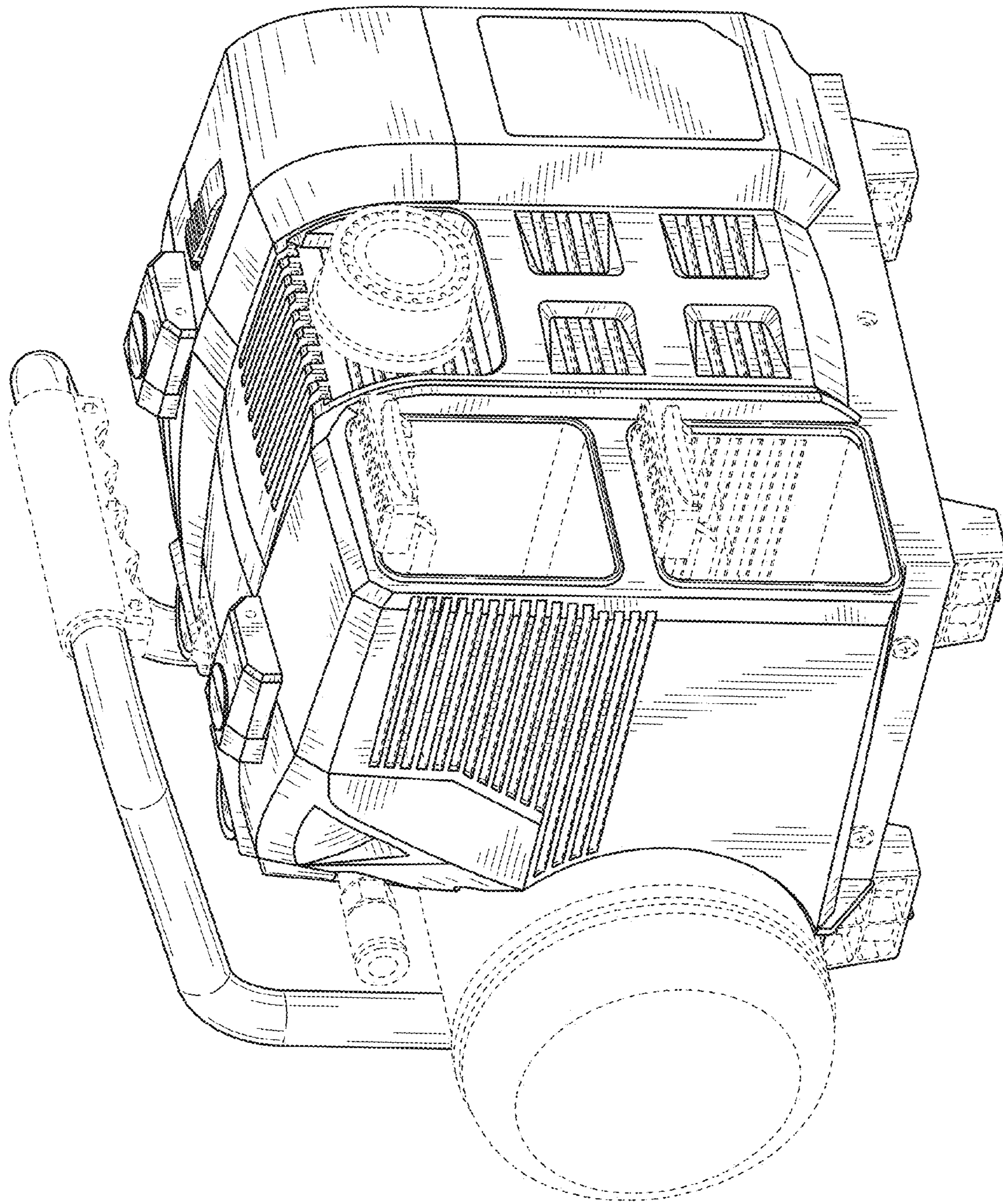


FIG. 2

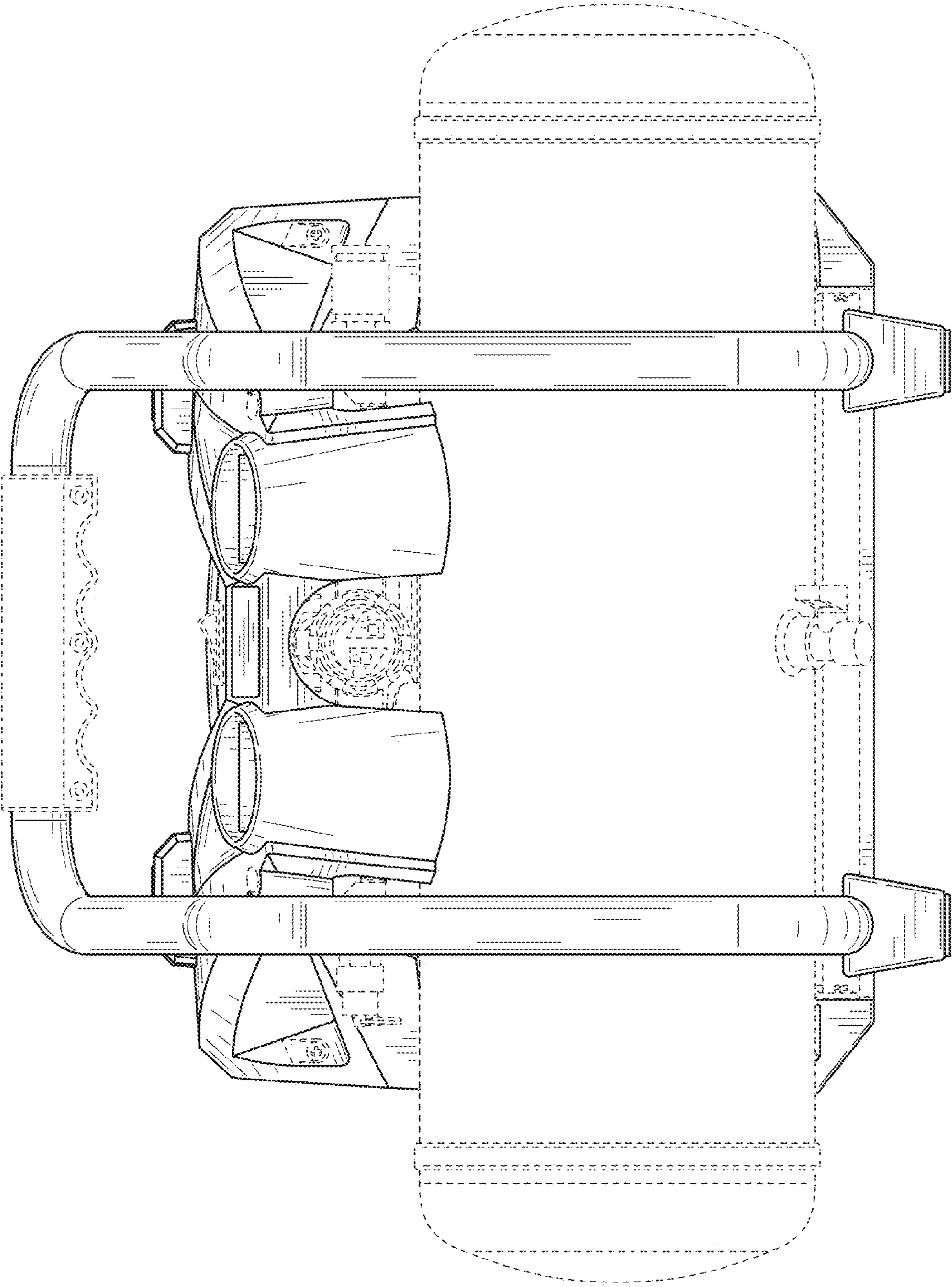


FIG. 3

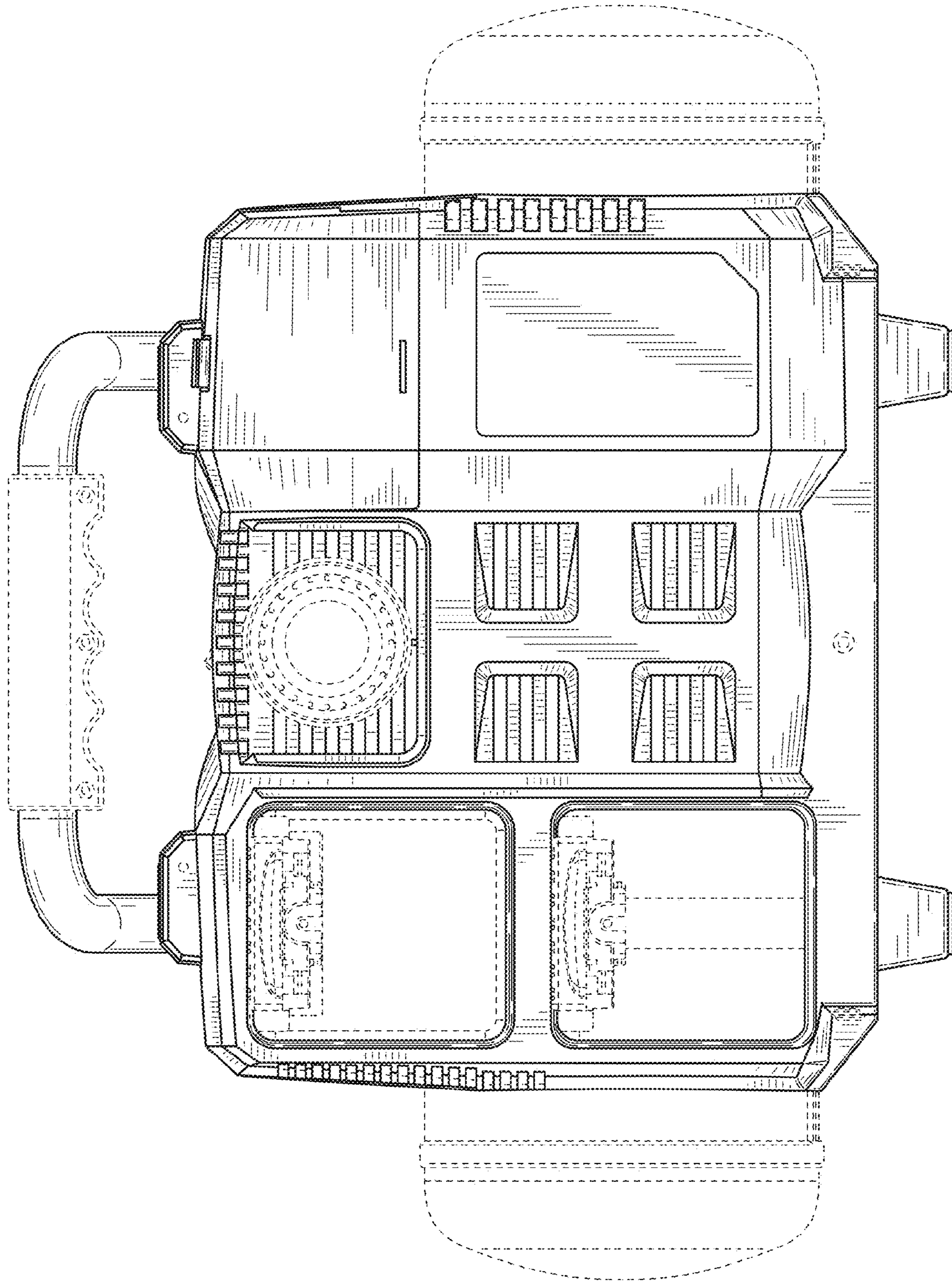


FIG. 4

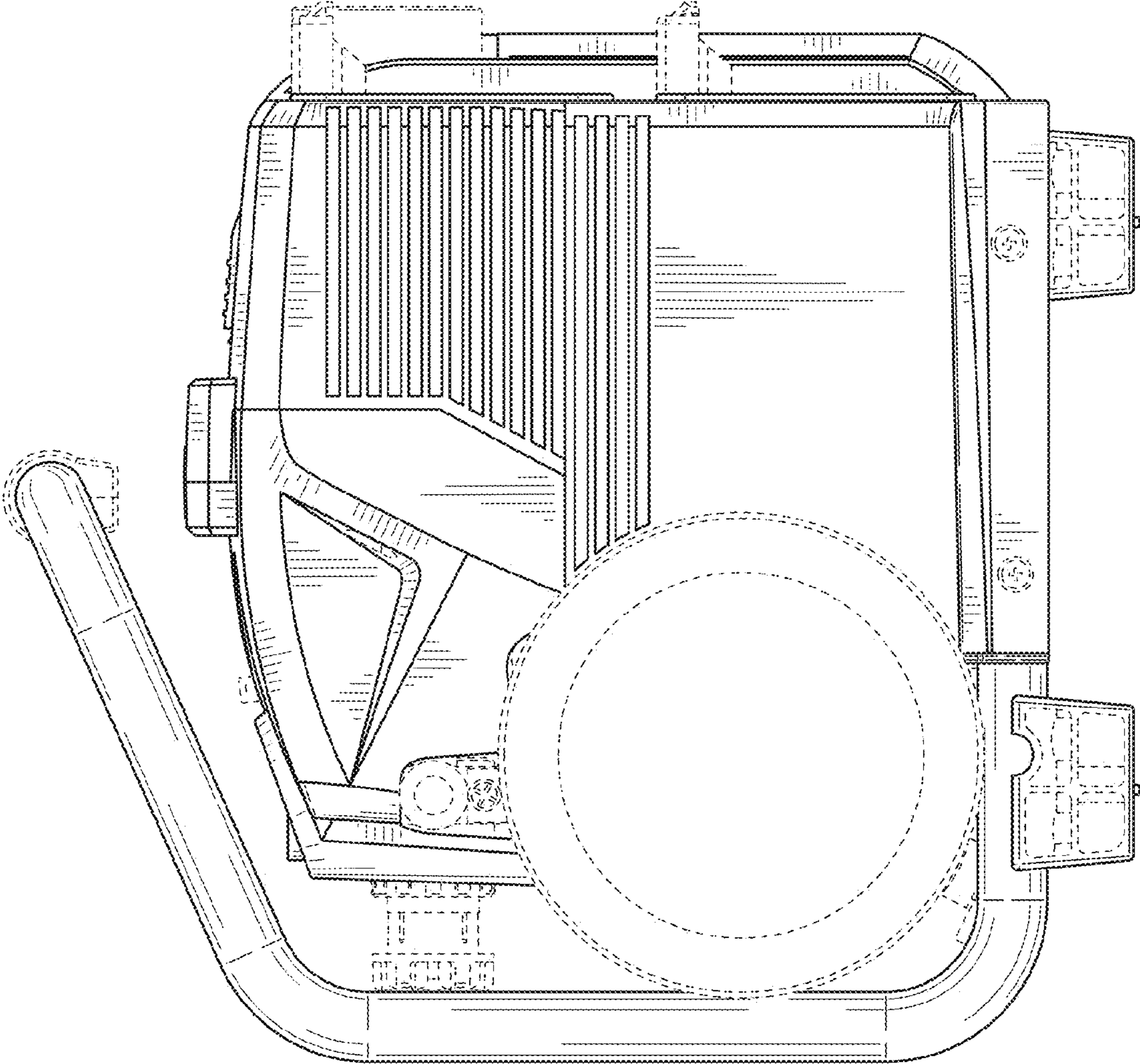


FIG. 5

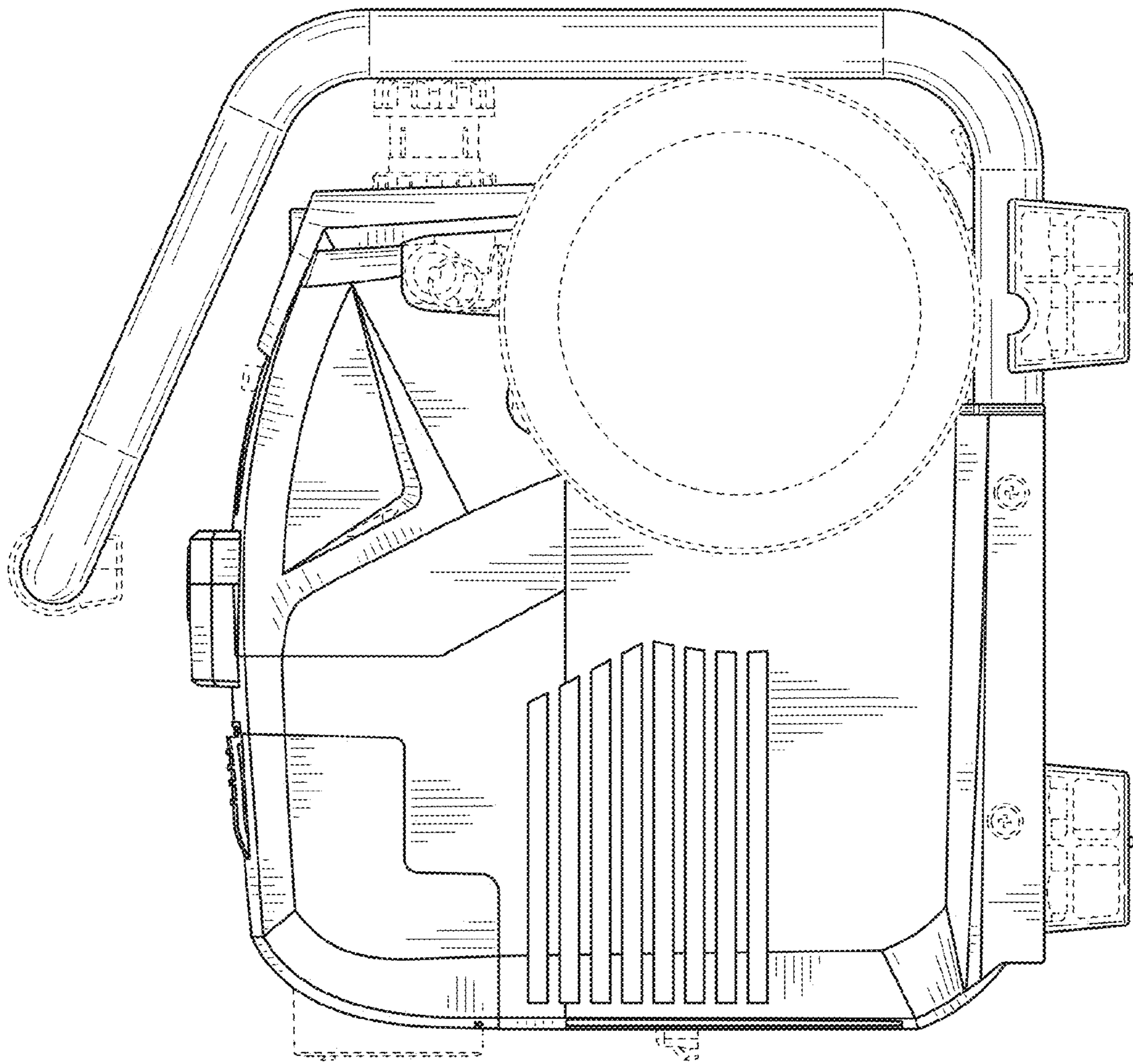


FIG. 6

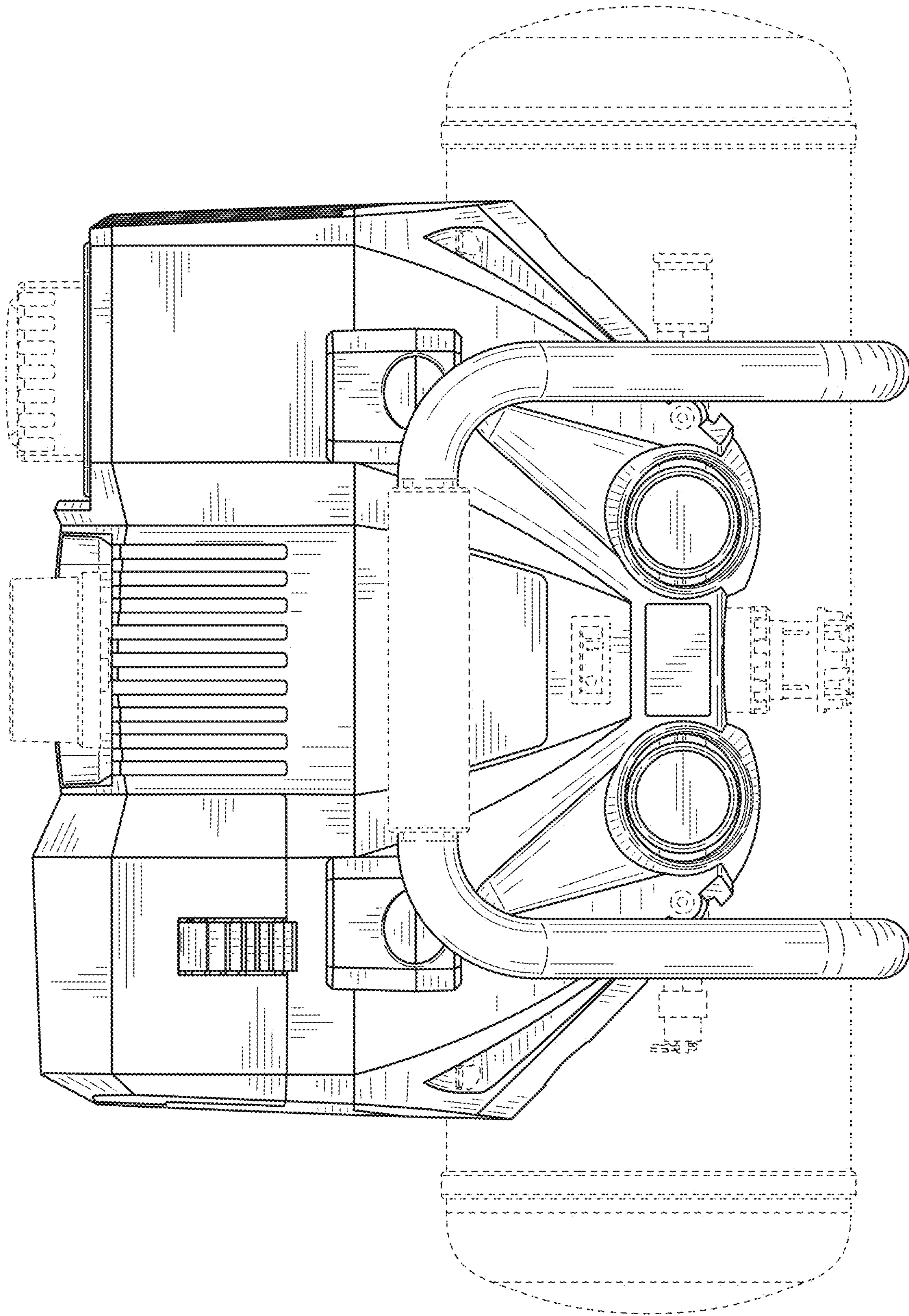


FIG. 7

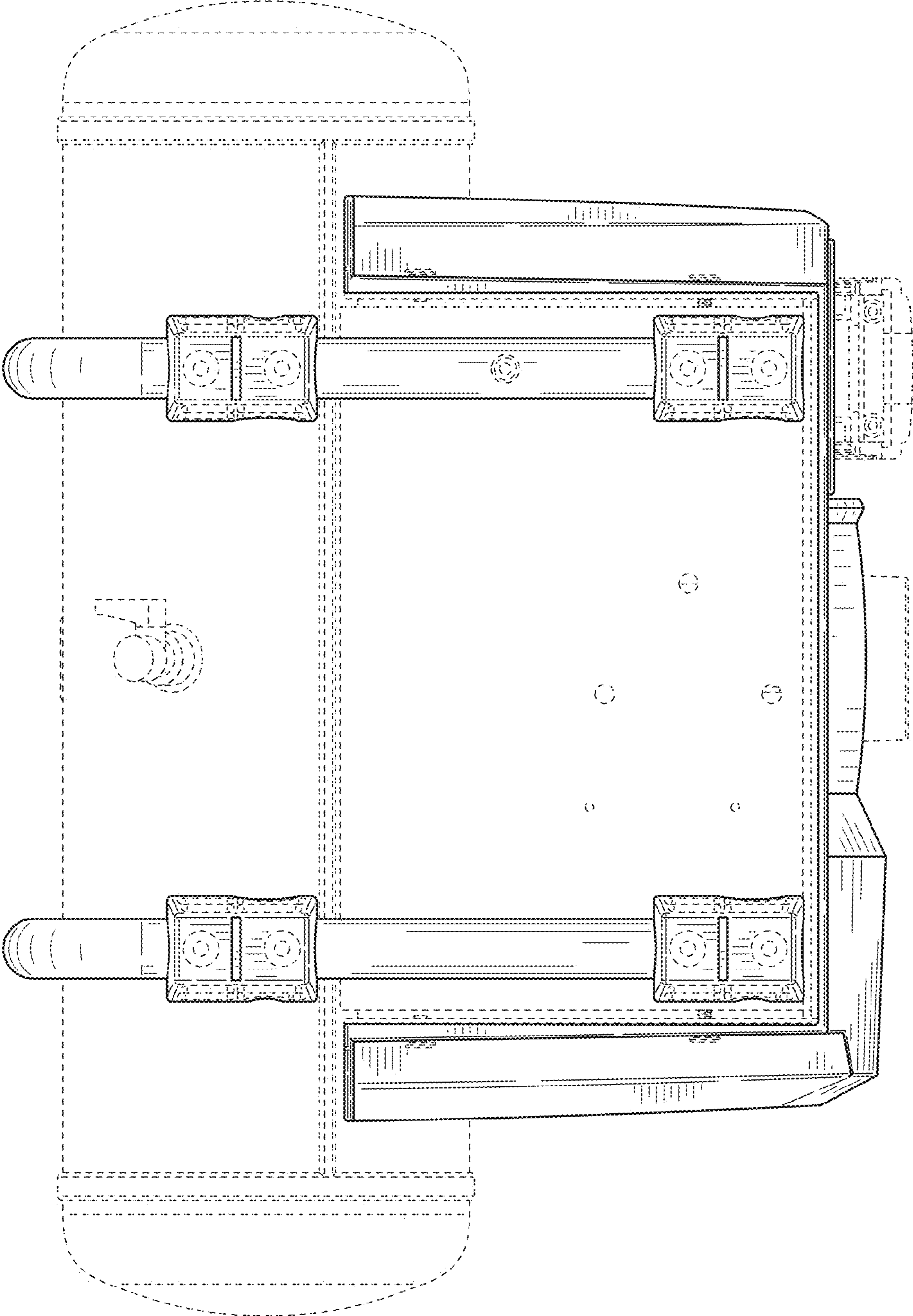


FIG. 8

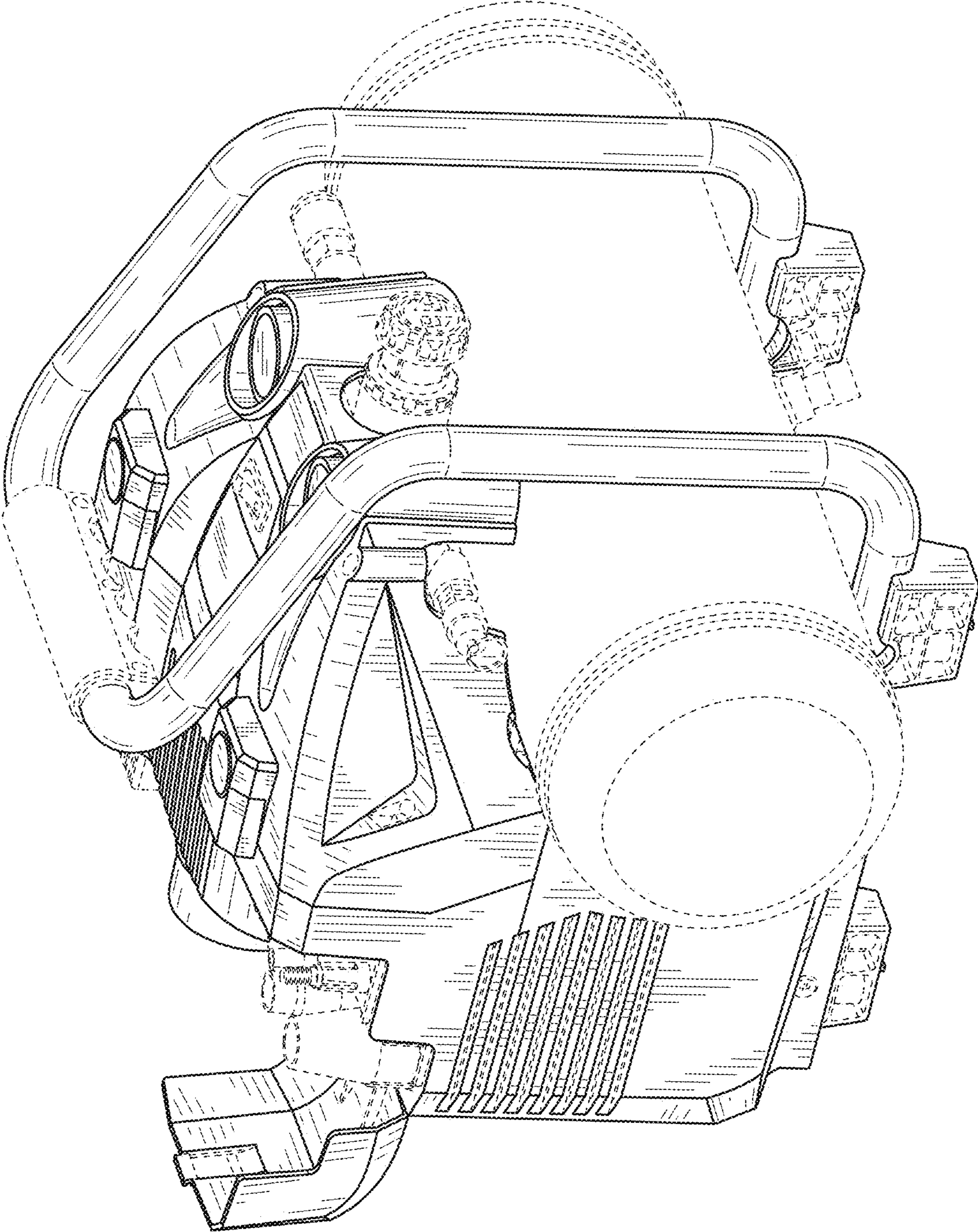


FIG. 9

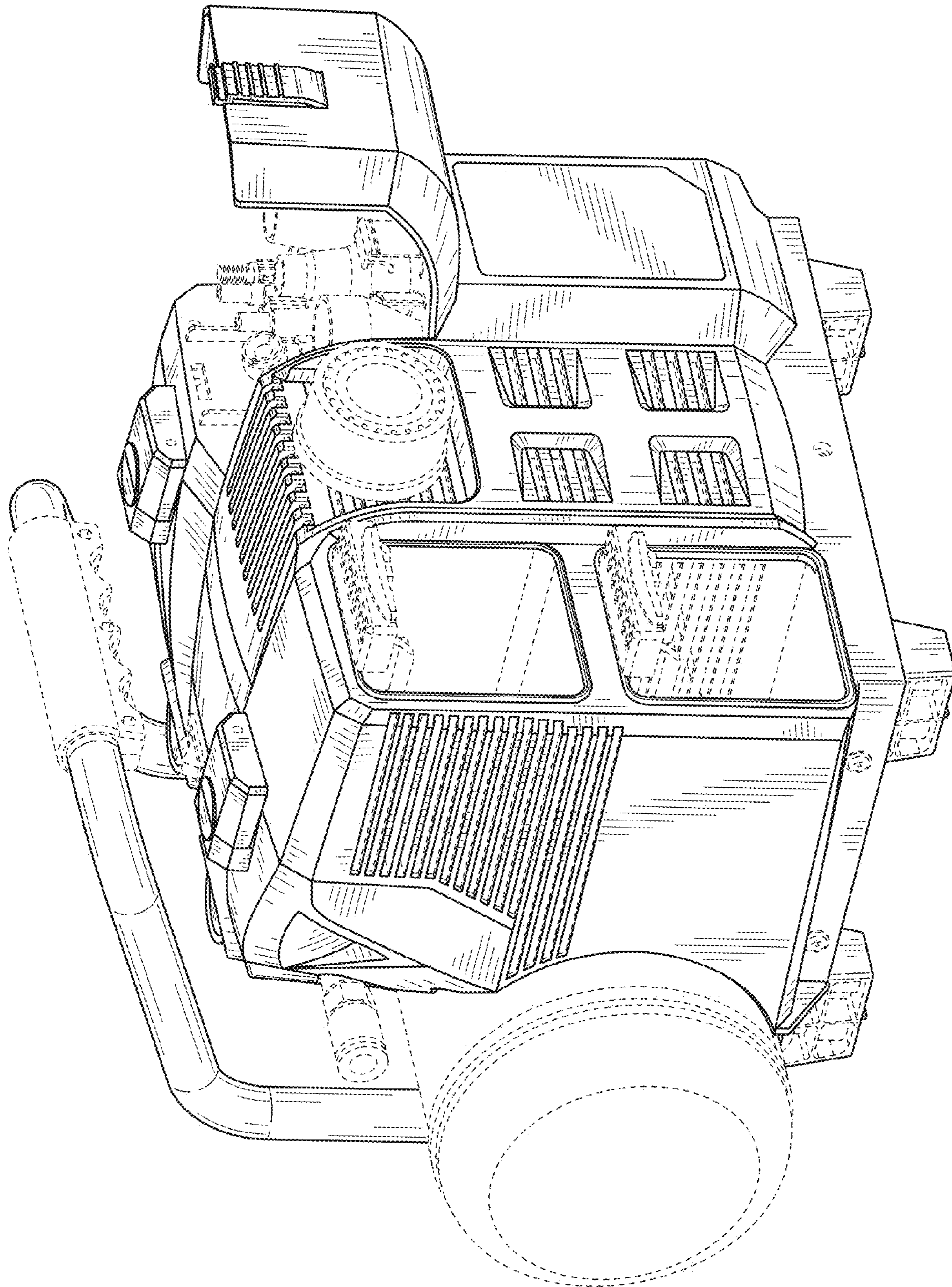


FIG. 10

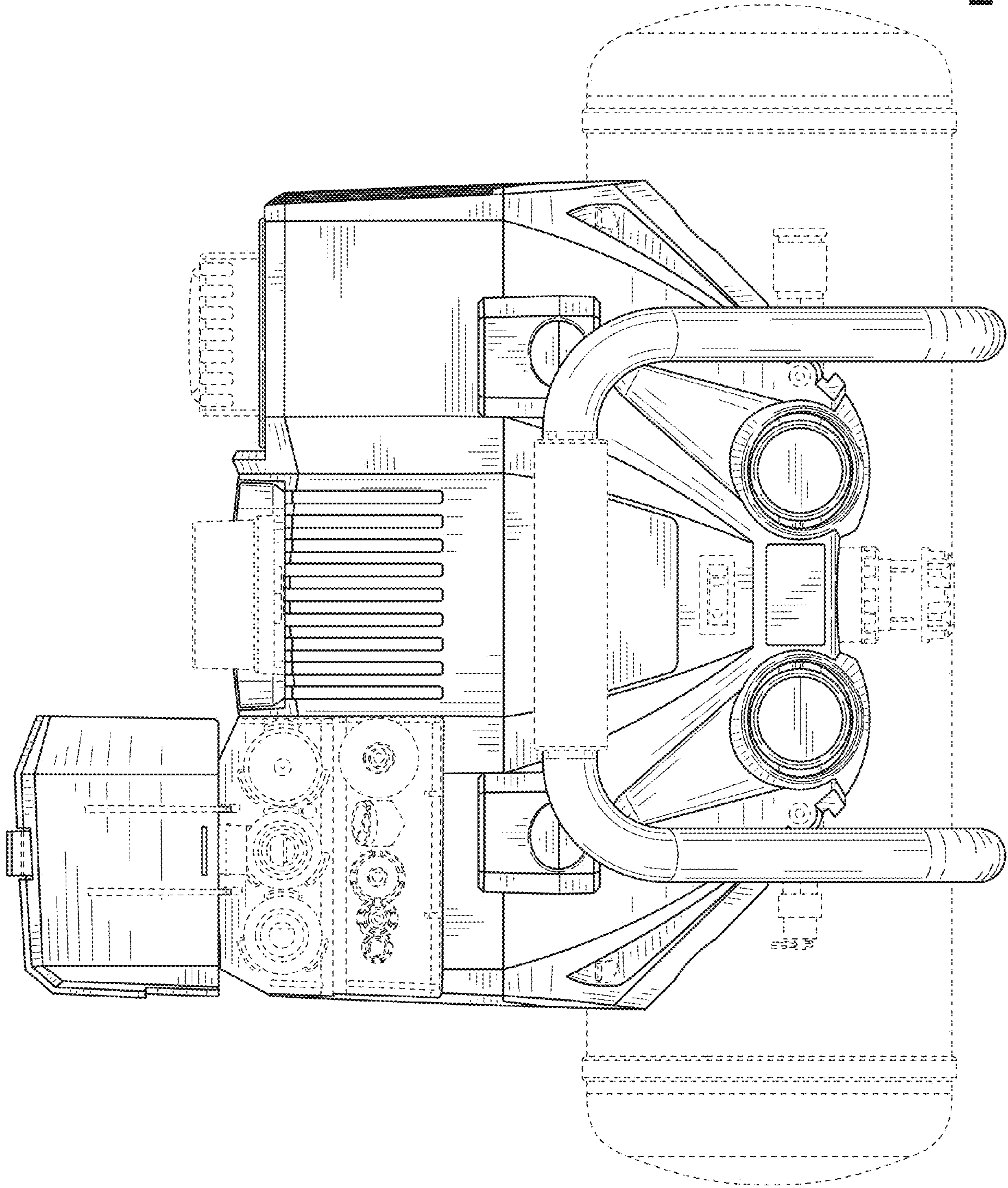


FIG. 11