



US00D984485S

(12) **United States Design Patent**
Vintzel

(10) **Patent No.:** **US D984,485 S**
(45) **Date of Patent:** **** Apr. 25, 2023**

(54) **AIR COMPRESSOR**

(71) Applicant: **Harbor Freight Tools USA, Inc.**,
Calabasas, CA (US)

(72) Inventor: **James Constantine Vintzel**, Jackson,
TN (US)

(73) Assignee: **HARBOR FREIGHT TOOLS USA,
INC.**, Calabasas, CA (US)

(**) Term: **15 Years**

(21) Appl. No.: **29/786,717**

(22) Filed: **Jun. 2, 2021**

(51) **LOC (14) Cl.** **15-02**

(52) **U.S. Cl.**
USPC **D15/9**

(58) **Field of Classification Search**
USPC D13/103, 112; D15/7-9
CPC .. E03B 5/00; F04B 41/02; F04B 41/06; F04B
35/04; F04B 35/06; F04B 25/00; F04B
17/06; F04B 17/03; F04B 53/18; F04B
23/00; F04B 41/00; F04C 2210/221;
F04C 2240/30

See application file for complete search history.

(56) **References Cited**

U.S. PATENT DOCUMENTS

D604,746 S	*	11/2009	Nishido	D15/7
D806,755 S	*	1/2018	Wood	D15/9
D806,757 S	*	1/2018	Wood	D15/9
D880,531 S	*	4/2020	Gao	D15/9
D891,481 S	*	7/2020	Vintzel	D15/7
D947,252 S	*	3/2022	Francis	D15/7

OTHER PUBLICATIONS

Harbor Freight, HOC VC26 26 Gallon 175 PSI Ultra Quiet Vertical Shop/Auto Air Compressor, (first available Jun. 24, 2022), Amazon.

com, URL:<<https://www.amazon.com/VC26-Gallon-Vertical-Compressor-Warranty/dp/B0B52BT37T>> (Year: 2022).*

Stealth, 20 Gallon Ultra Quiet Air Compressor, (first available Jan. 15, 2019), Amazon.com, URL:<<https://www.amazon.com/Stealth-Compressor-Oil-Free-Decibel-Electric/dp/B07N1ZSJ5K>> (Year: 2019).*

Kobalt, Quiet Tech 26-Gallon Single Stage Portable Corded Electric Vertical Air Compressor review by Marc, (posted Jan. 31, 2019), Lowes.com, URL:<<https://www.lowes.com/pd/Kobalt-QUIET-TECH-26-Gallon-Single-Stage-Portable-Electric-Vertical-Air-Compressor/1001014062>> (Year: 2019).*

Masterforce, Ultra-Quiet 20-Gallon Portable Electric Vertical Air Compressor, (site visited Sep. 22, 2022), Menards.com, URL:<<https://www.menards.com/main/tools/air-compressors/masterforce-reg-ultra-quiet-20-gallon-150-psi-portable-electric-vertical-air-compressor/3332041/p-1536042526176-c-12910.htm>> (Year: 2022).*

* cited by examiner

Primary Examiner — Calvin E Vansant
Assistant Examiner — Mark T. Philipps
(74) *Attorney, Agent, or Firm* — McAndrews Held & Malloy, Ltd

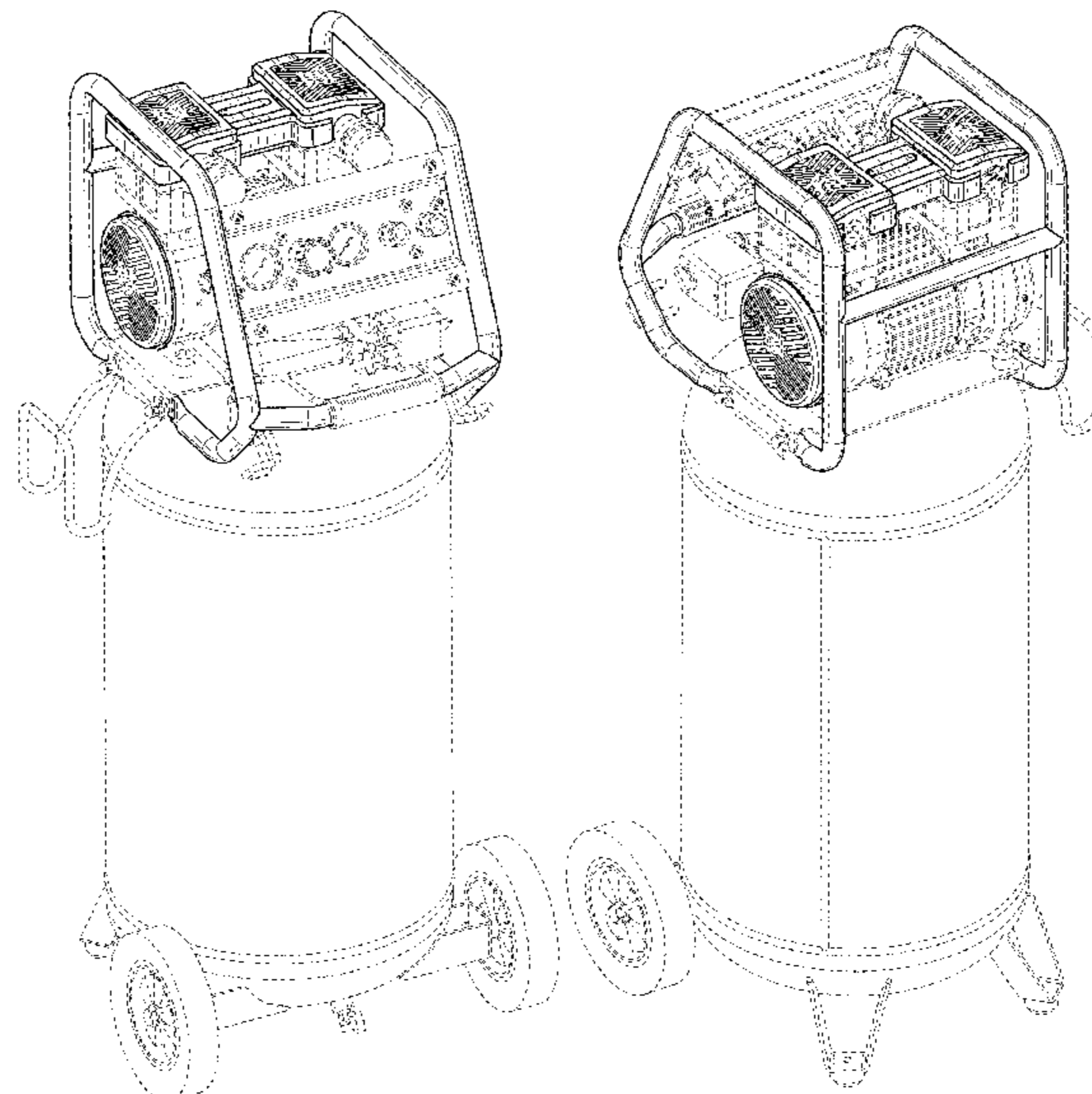
(57) **CLAIM**

The ornamental design for an air compressor, as shown and described.

DESCRIPTION

FIG. 1 is a top and front perspective view of an air compressor showing my new design;
FIG. 2 is a front elevation view thereof;
FIG. 3 is a rear elevation thereof;
FIG. 4 is a right side elevation view thereof;
FIG. 5 is a left side elevation view thereof;
FIG. 6 is a top plan view thereof;
FIG. 7 is a bottom plan view thereof; and,
FIG. 8 is a top and rear perspective view thereof.
The dashed broken lines in the figures illustrate portions of the air compressor that form no part of the claimed design.

1 Claim, 8 Drawing Sheets



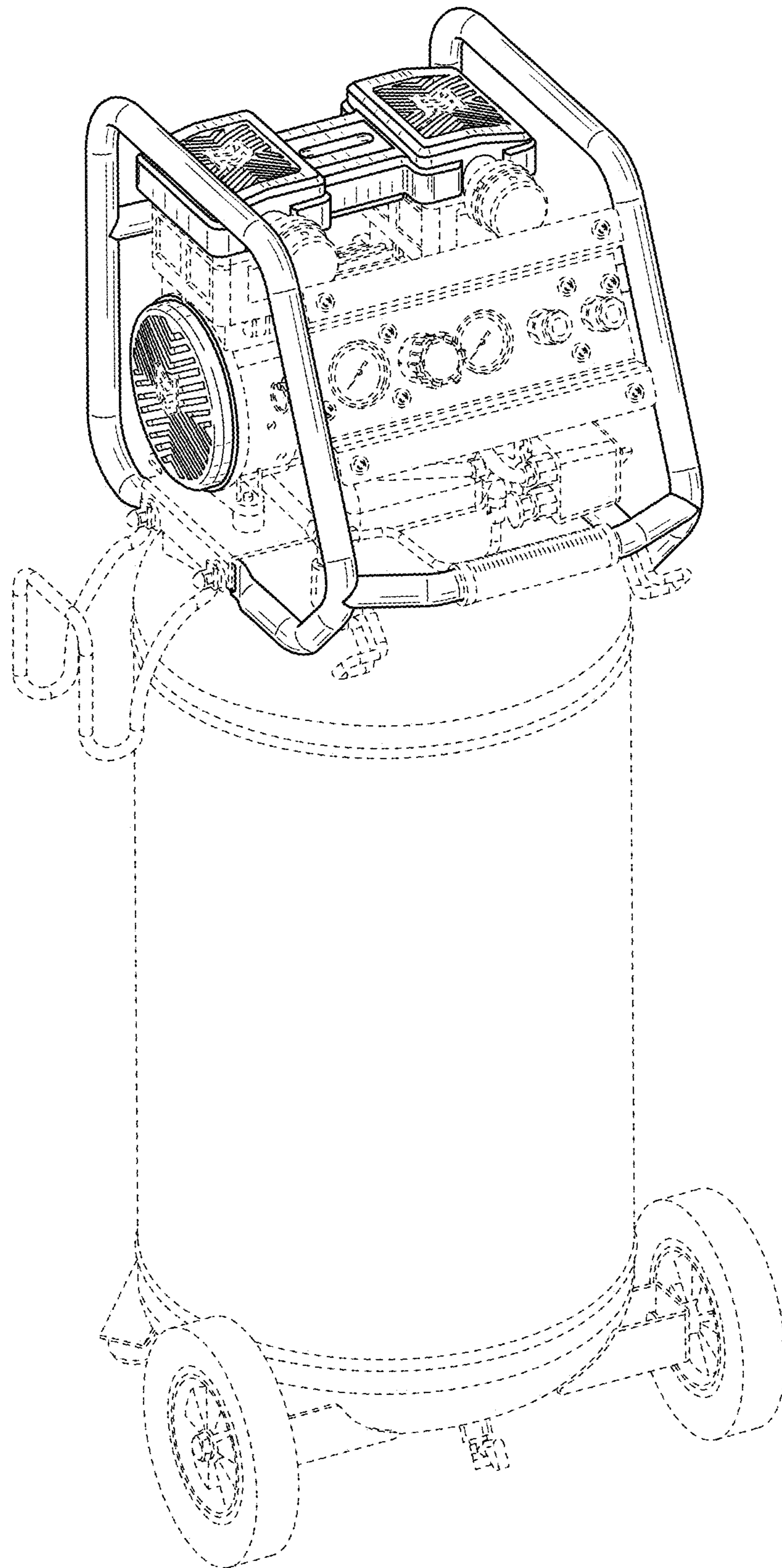


FIG. 1

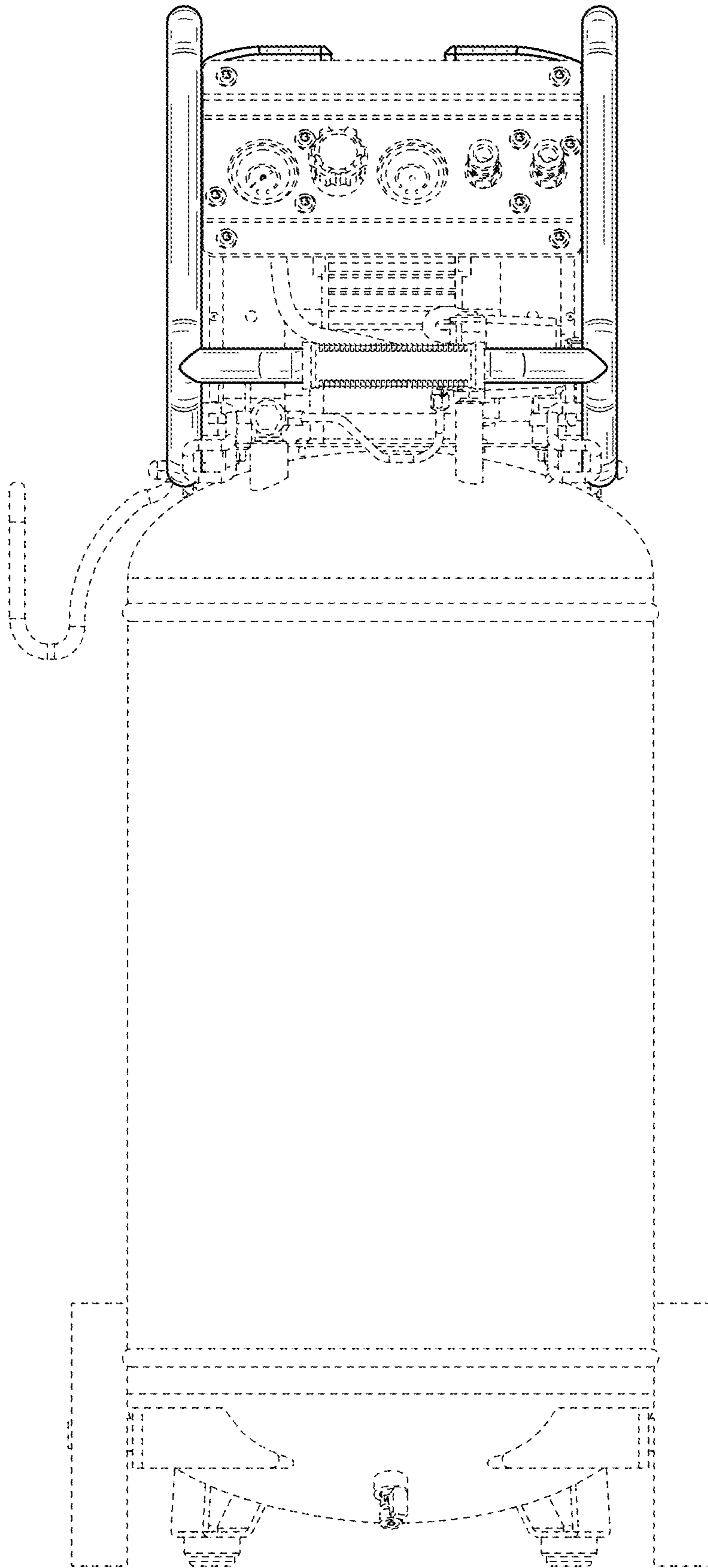


FIG. 2

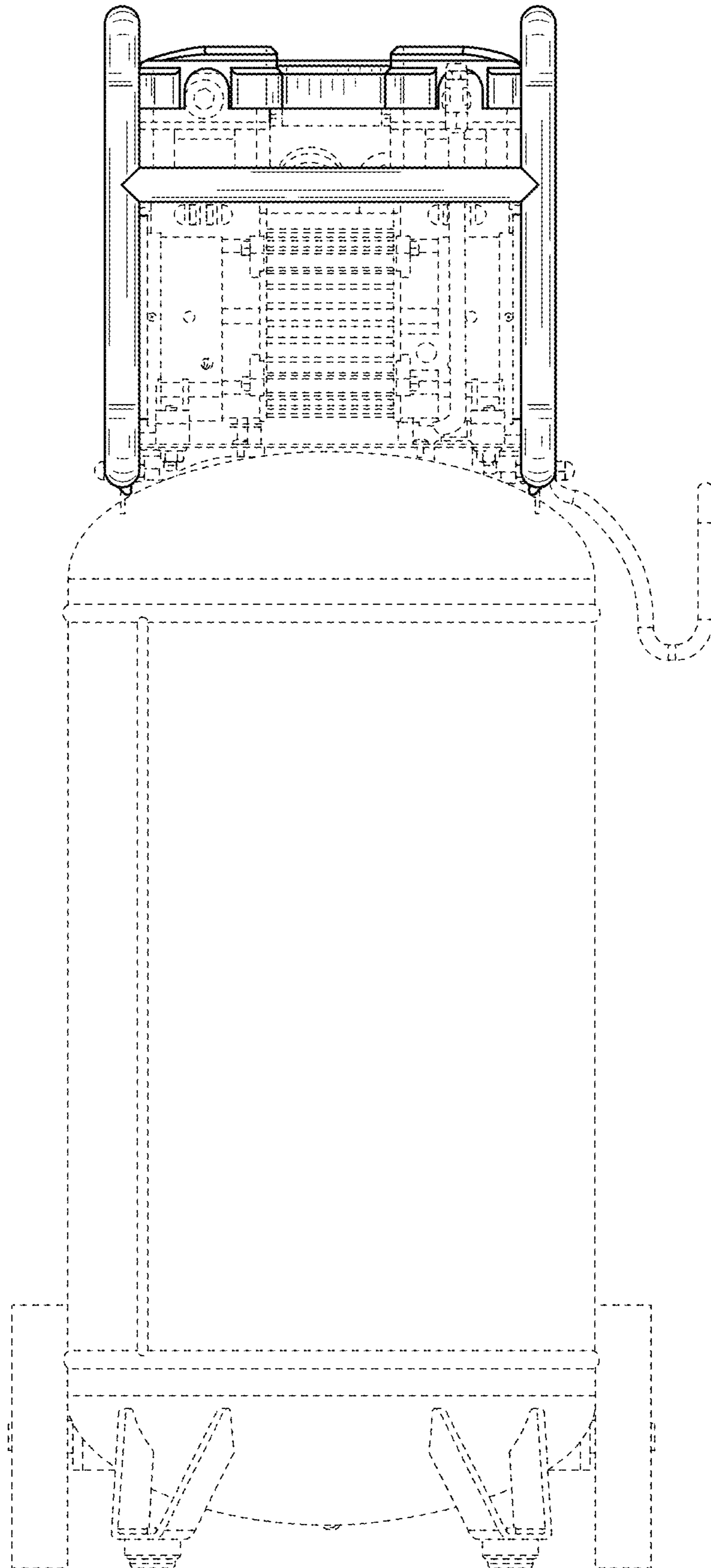


FIG. 3

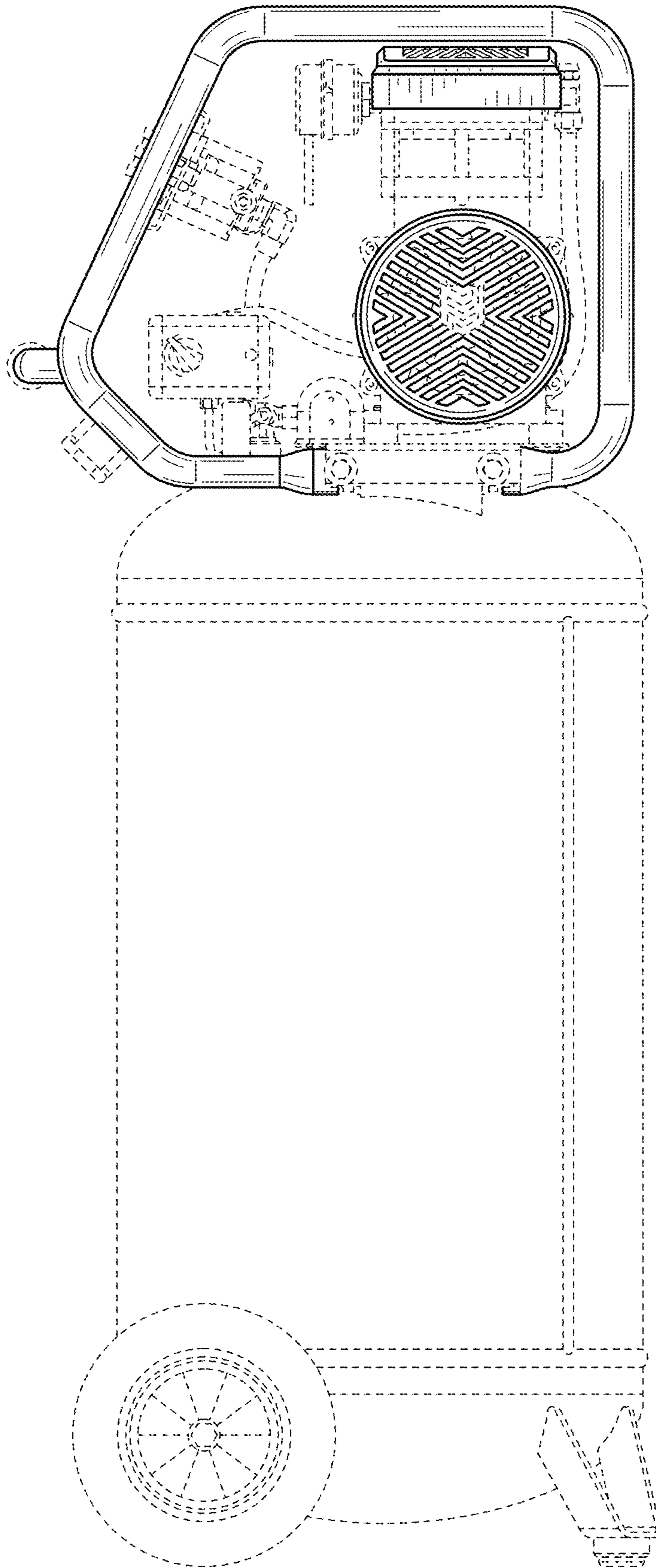


FIG. 4

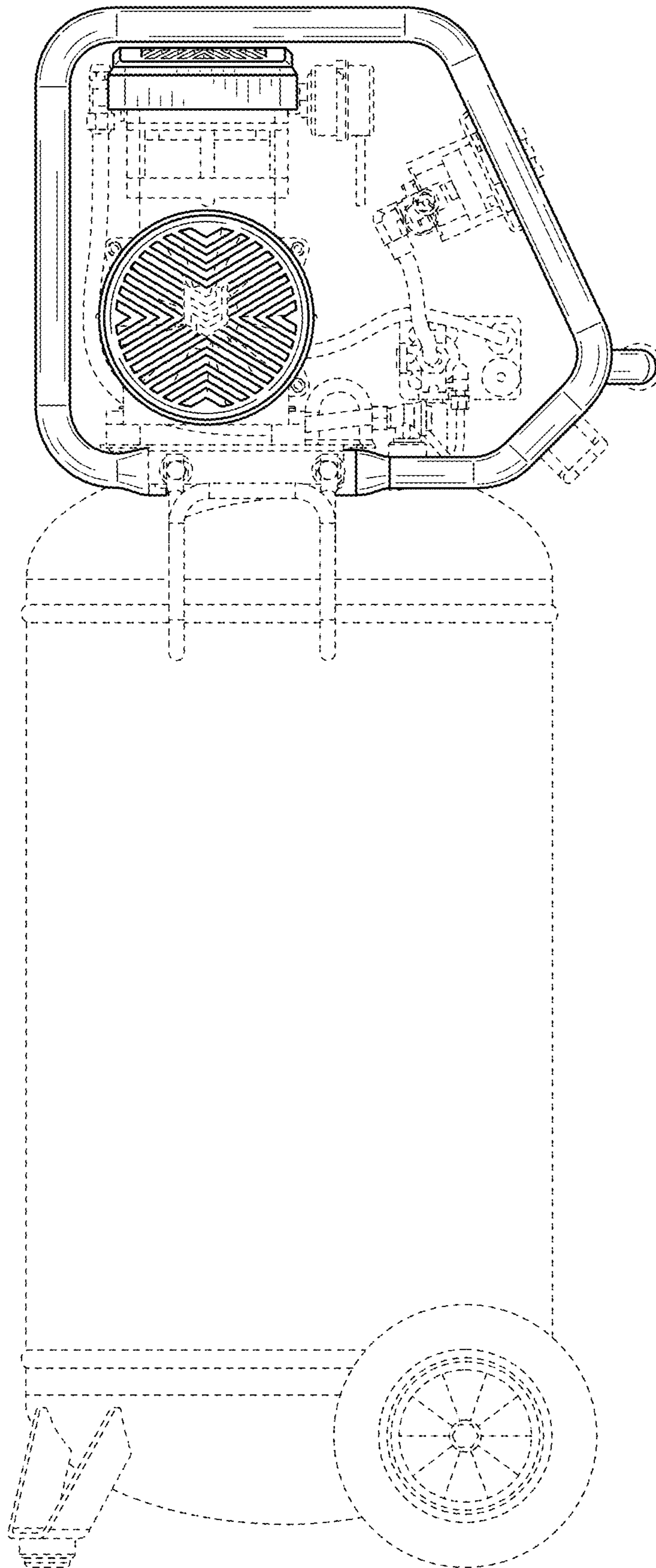


FIG. 5

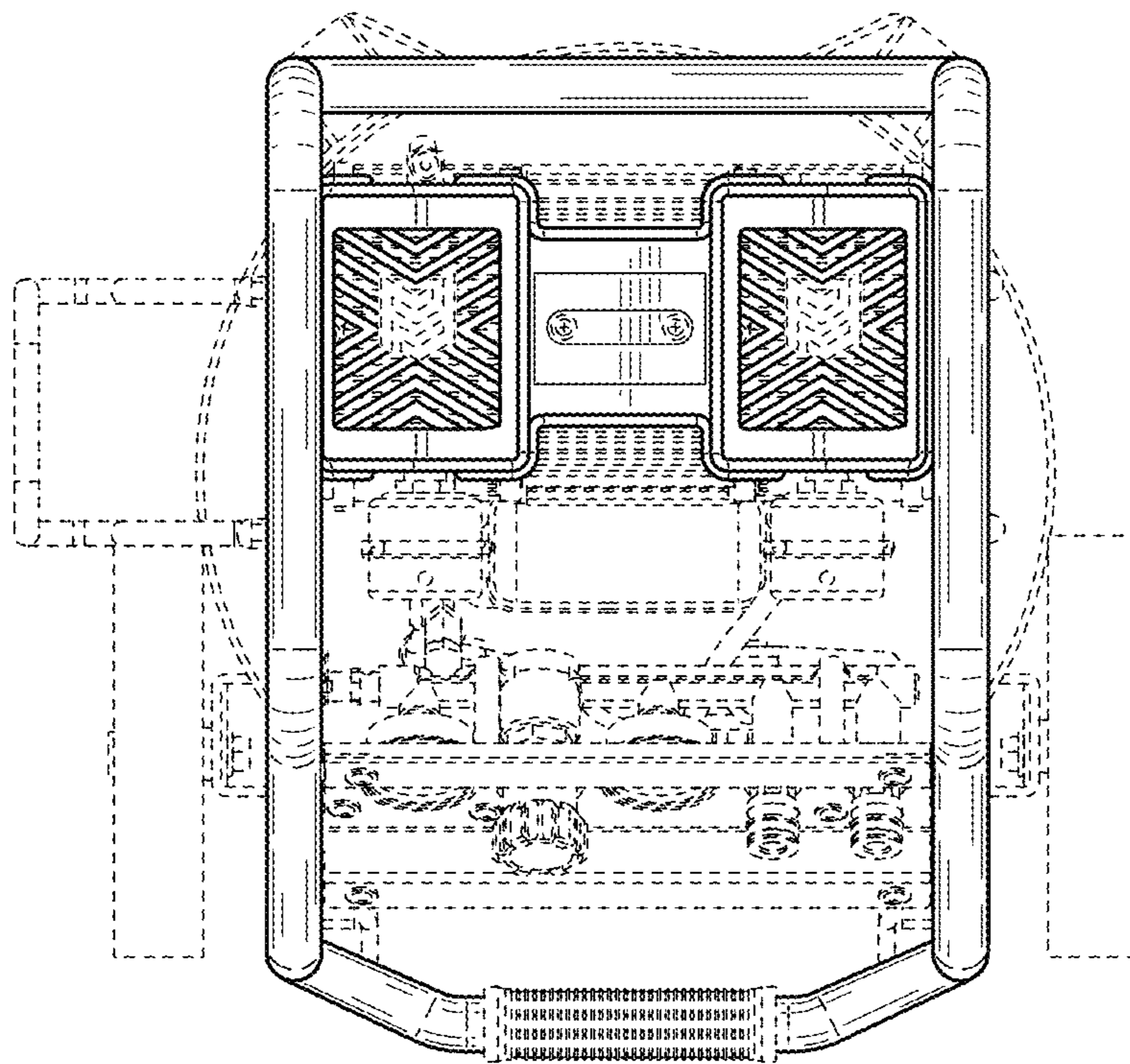


FIG. 6

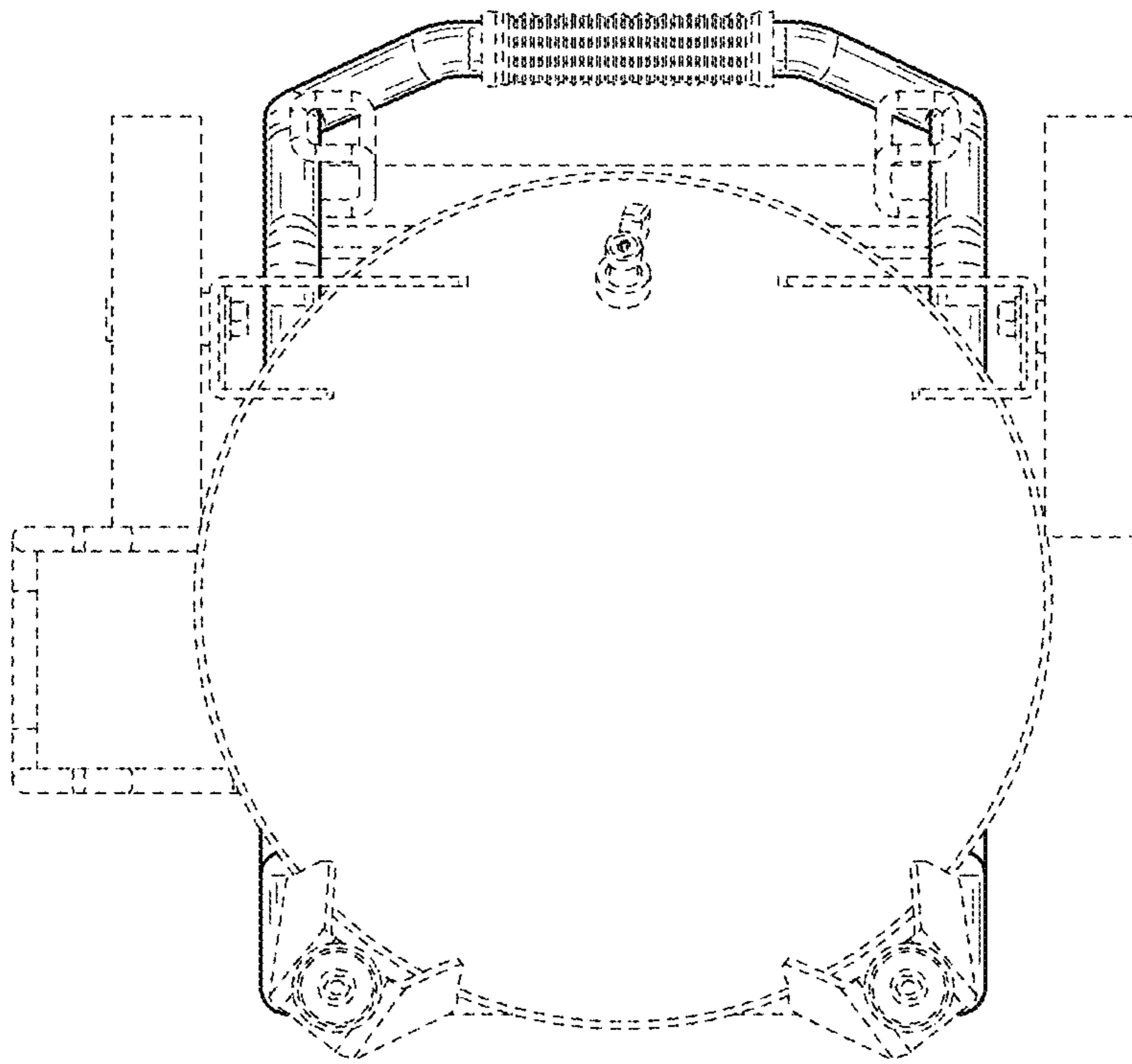


FIG. 7

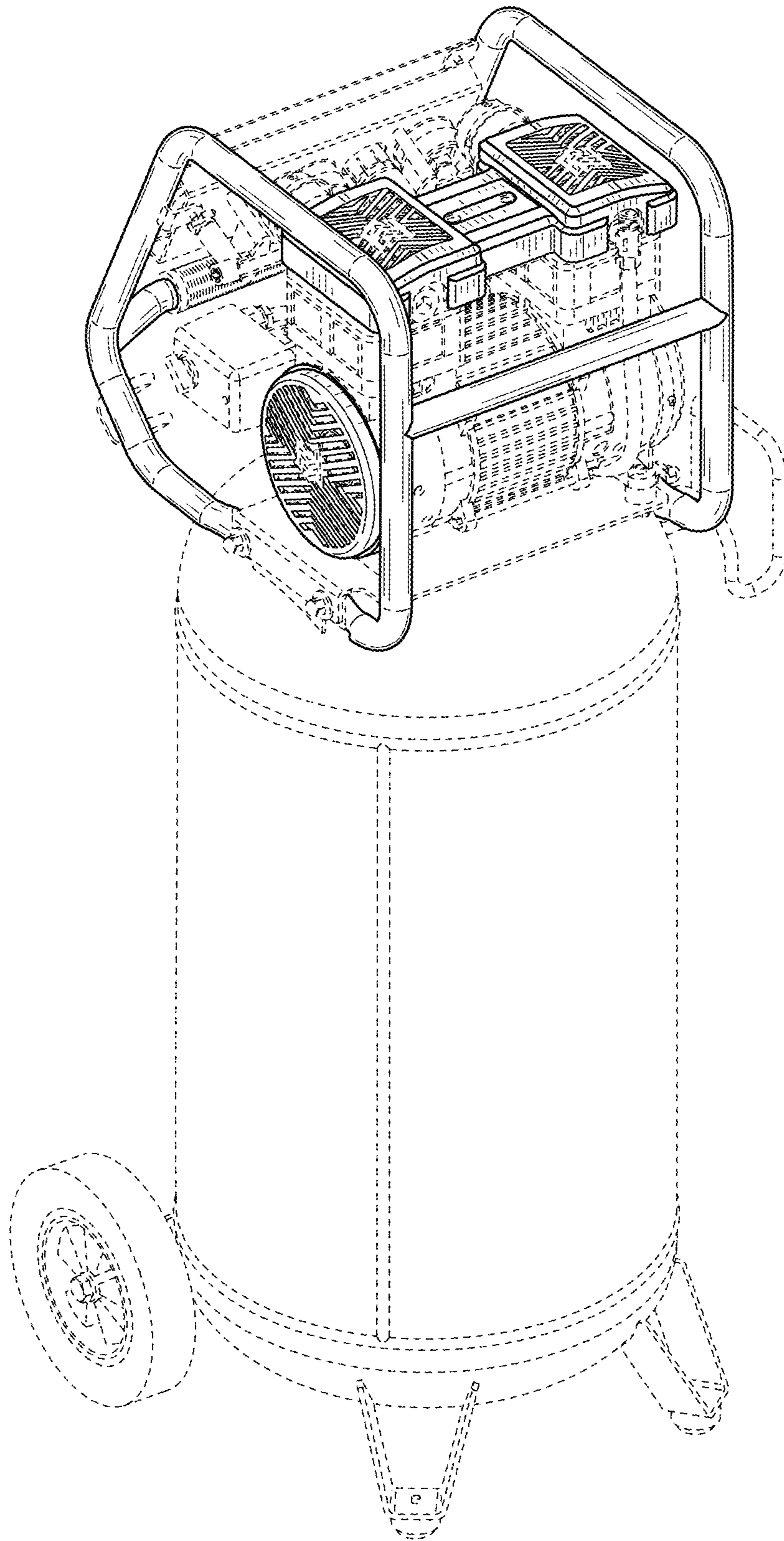


FIG. 8