



US00D984484S

(12) **United States Design Patent**
Vintzel

(10) **Patent No.:** **US D984,484 S**

(45) **Date of Patent:** **** Apr. 25, 2023**

(54) **AIR COMPRESSOR**

- (71) Applicant: **Harbor Freight Tools USA, Inc.**,
Calabasas, CA (US)
- (72) Inventor: **James Constantine Vintzel**, Jackson,
TN (US)
- (73) Assignee: **HARBOR FREIGHT TOOLS USA,
INC.**, Calabasas, CA (US)

(**) Term: **15 Years**

(21) Appl. No.: **29/785,299**

(22) Filed: **May 25, 2021**

(51) **LOC (14) Cl.** **15-02**

(52) **U.S. Cl.**
USPC **D15/9**

(58) **Field of Classification Search**
USPC D13/103, 112; D15/7-9
CPC .. E03B 5/00; F04B 41/02; F04B 41/06; F04B
35/04; F04B 35/06; F04B 25/00; F04B
17/06; F04B 17/03; F04B 53/18; F04B
23/00; F04B 41/00; F04C 2210/221;
F04C 2240/30

See application file for complete search history.

(56) **References Cited**

U.S. PATENT DOCUMENTS

D276,997 S *	1/1985	Mikado	D13/116
D454,357 S *	3/2002	Diels	D15/7
D704,137 S *	5/2014	Shokrzadeh	D13/116
D747,269 S *	1/2016	Larrabee	D13/122
D795,191 S *	8/2017	Wang	D13/116
D803,895 S *	11/2017	Sigwarth	D15/9
D828,301 S *	9/2018	Wang	D13/116

OTHER PUBLICATIONS

Tuxing, Pcp Air Compressor, (first available Sep. 11, 2020), Amazon.com, URL:<<https://www.amazon.com/TUXING-Compressor-Two-stage-Water-Oil-Separator/dp/B0962HJMNN>> (Year: 2021).*

DuroMax, XP13000HXT, (site visited Sep. 22, 2022), Amazon.com, URL:<<https://www.amazon.com/DuoMax-XP13000HXT-000-Watt-Electric-Generator/dp/B092CJQ51F>> (Year: 2022).*

HPDMC, 13HP Gas Powered Air Compressor, (first available Dec. 22, 2019), Amazon.com, URL:<<https://www.amazon.com/HPDMC-Compressor-3-Cylinder-Horizontal-Compressed/dp/B083HXSG4>> (Year: 2019).*

* cited by examiner

Primary Examiner — Calvin E Vansant
Assistant Examiner — Mark T. Philipps
 (74) *Attorney, Agent, or Firm* — McAndrews Held & Malloy, Ltd.

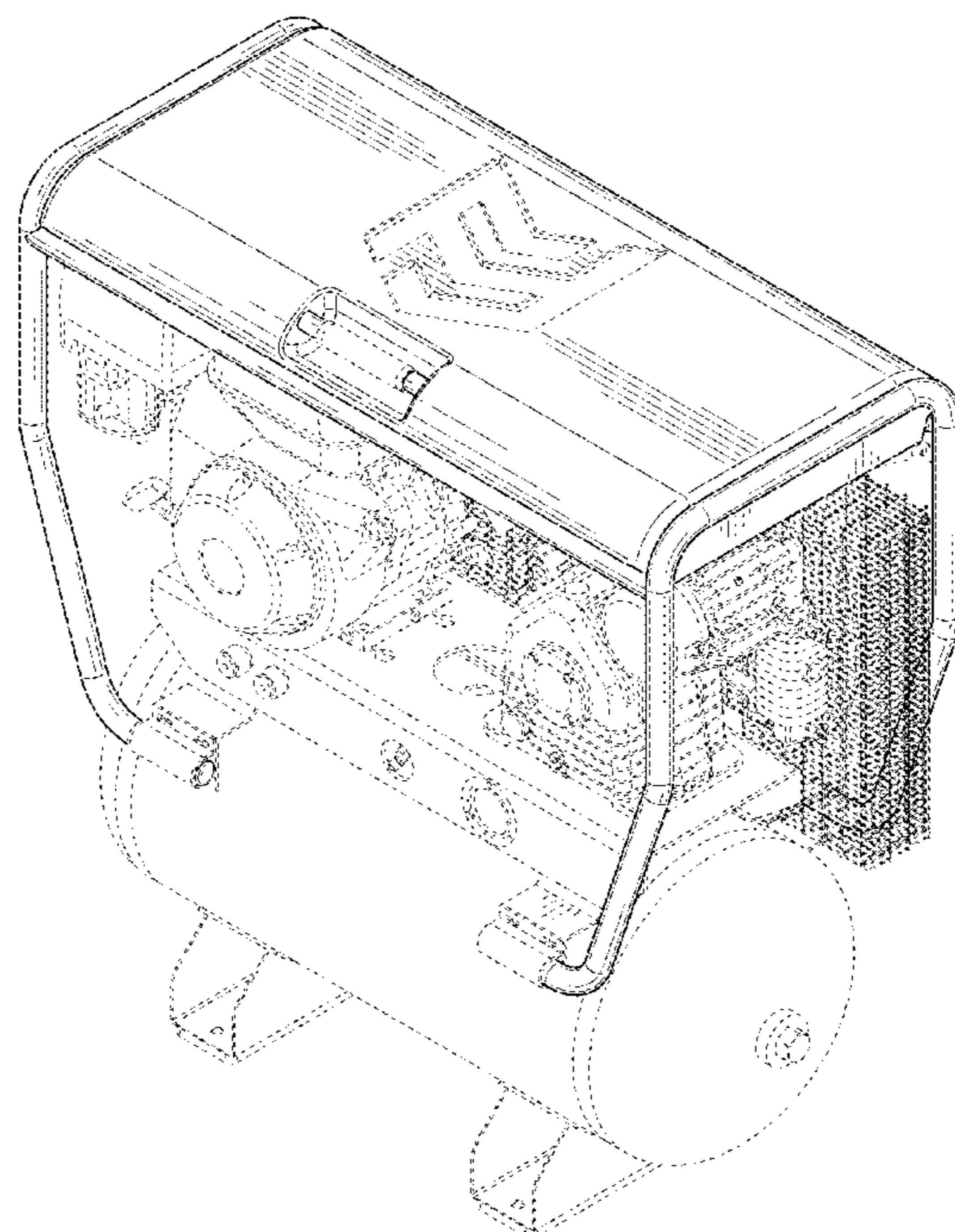
(57) **CLAIM**

The ornamental design for an air compressor, as shown and described.

DESCRIPTION

FIG. 1 is a top and front perspective view of an air compressor showing my new design;
 FIG. 2 is a front elevation view thereof;
 FIG. 3 is a rear elevation thereof;
 FIG. 4 is a right side elevation view thereof;
 FIG. 5 is a left side elevation view thereof;
 FIG. 6 is a top plan view thereof;
 FIG. 7 is a bottom plan view thereof; and,
 FIG. 8 is a top and rear perspective view thereof.
 The dashed broken lines in the figures illustrate portions of the air compressor that form no part of the claimed design.

1 Claim, 8 Drawing Sheets



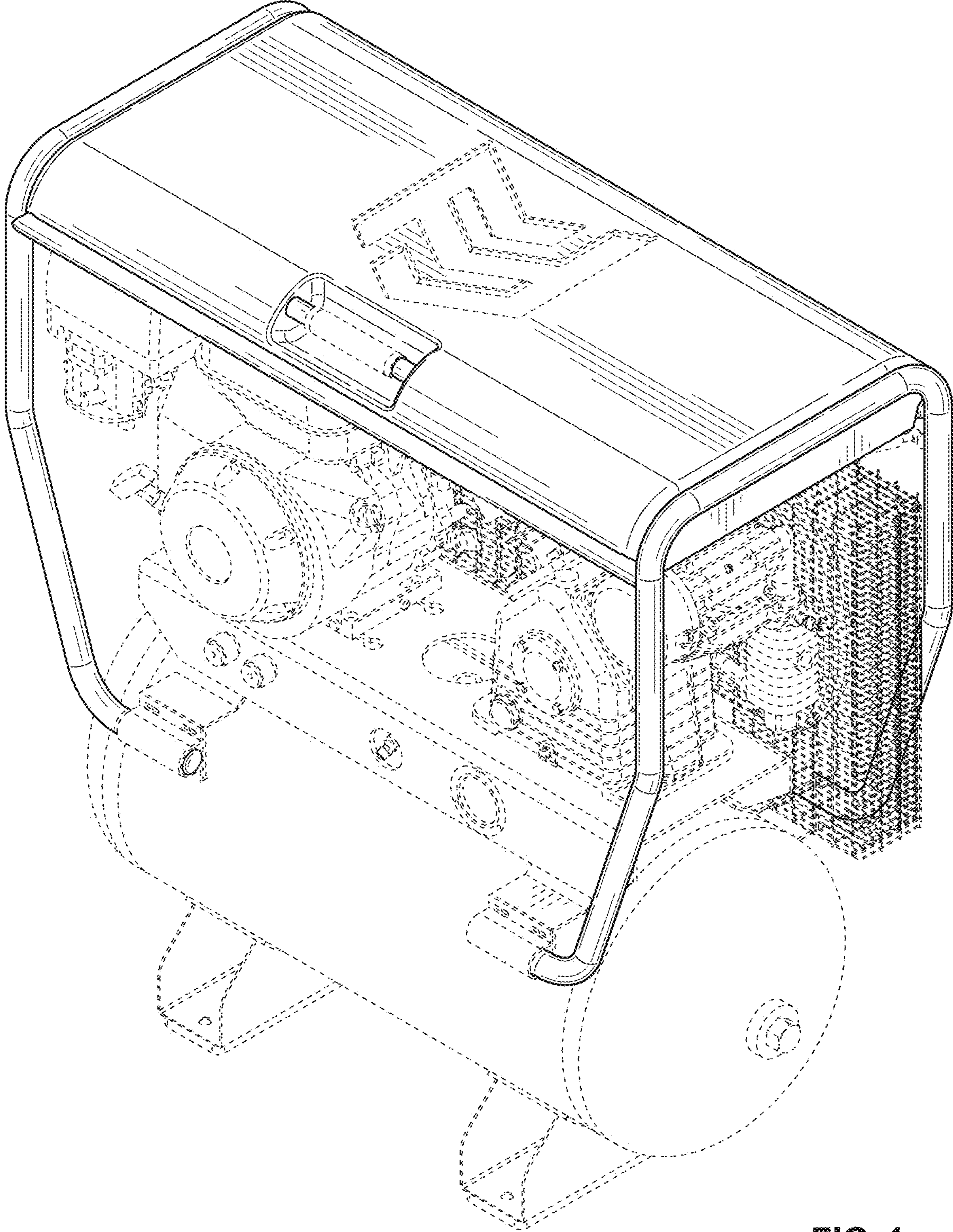


FIG. 1

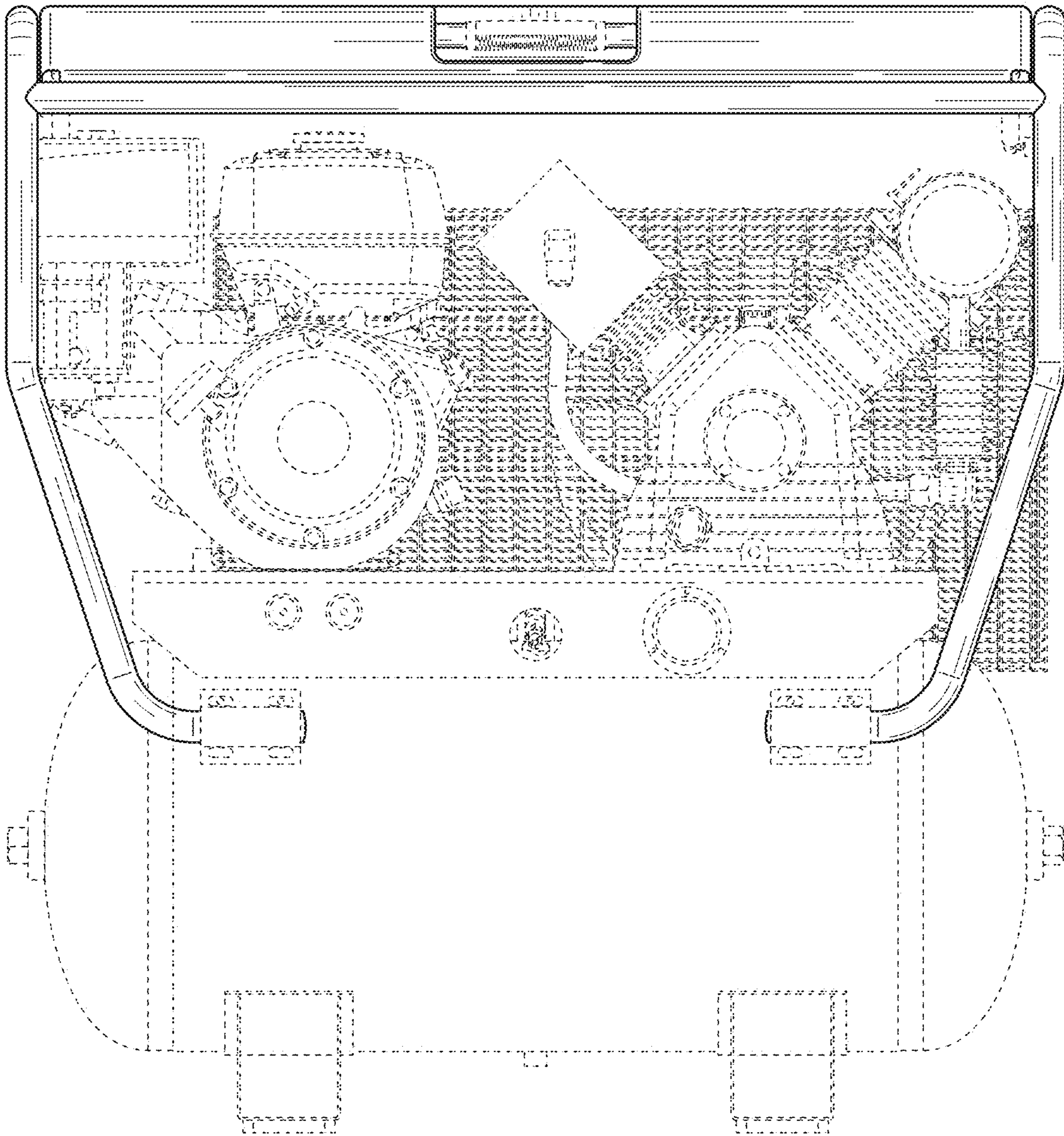


FIG. 2

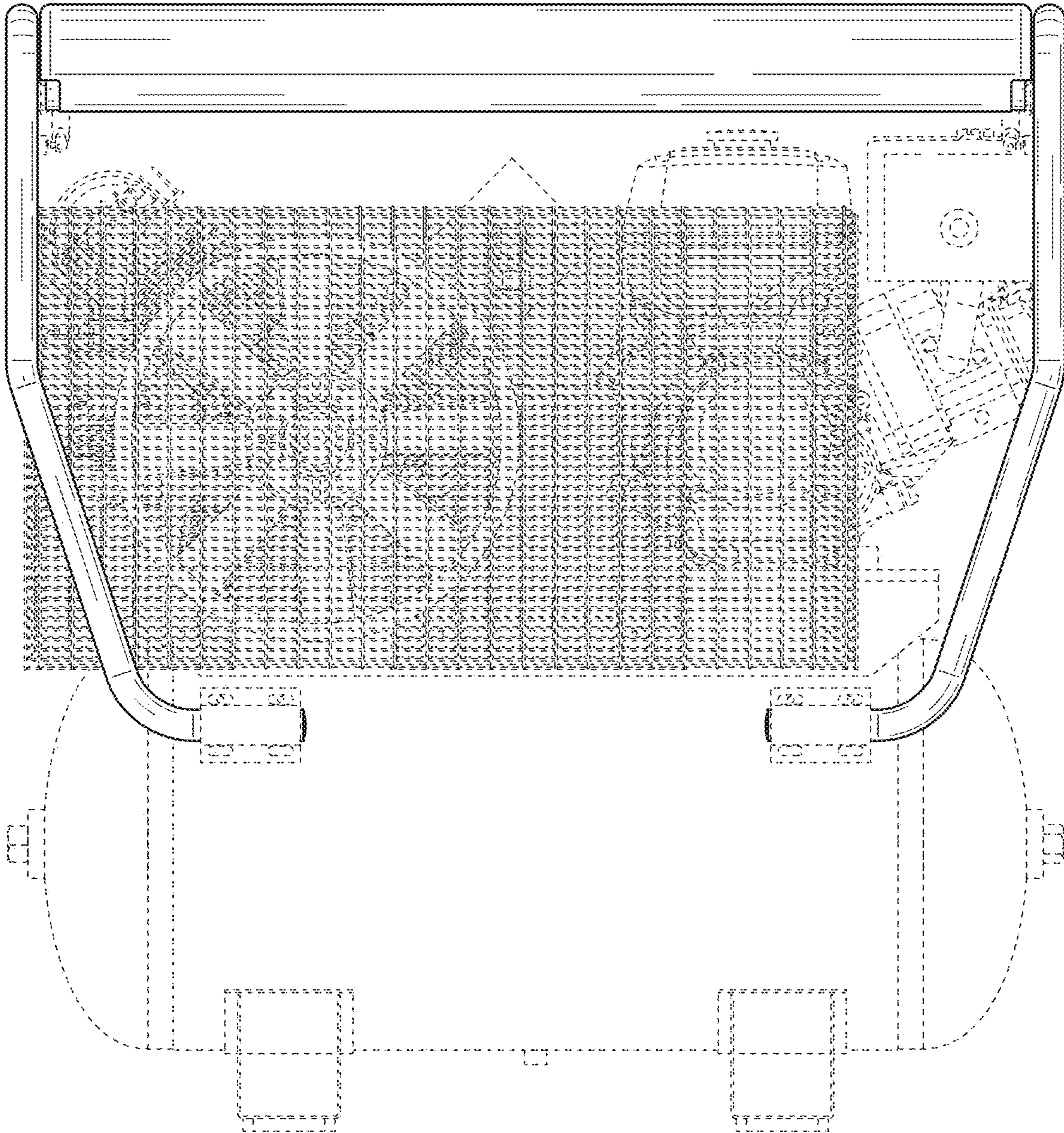


FIG. 3

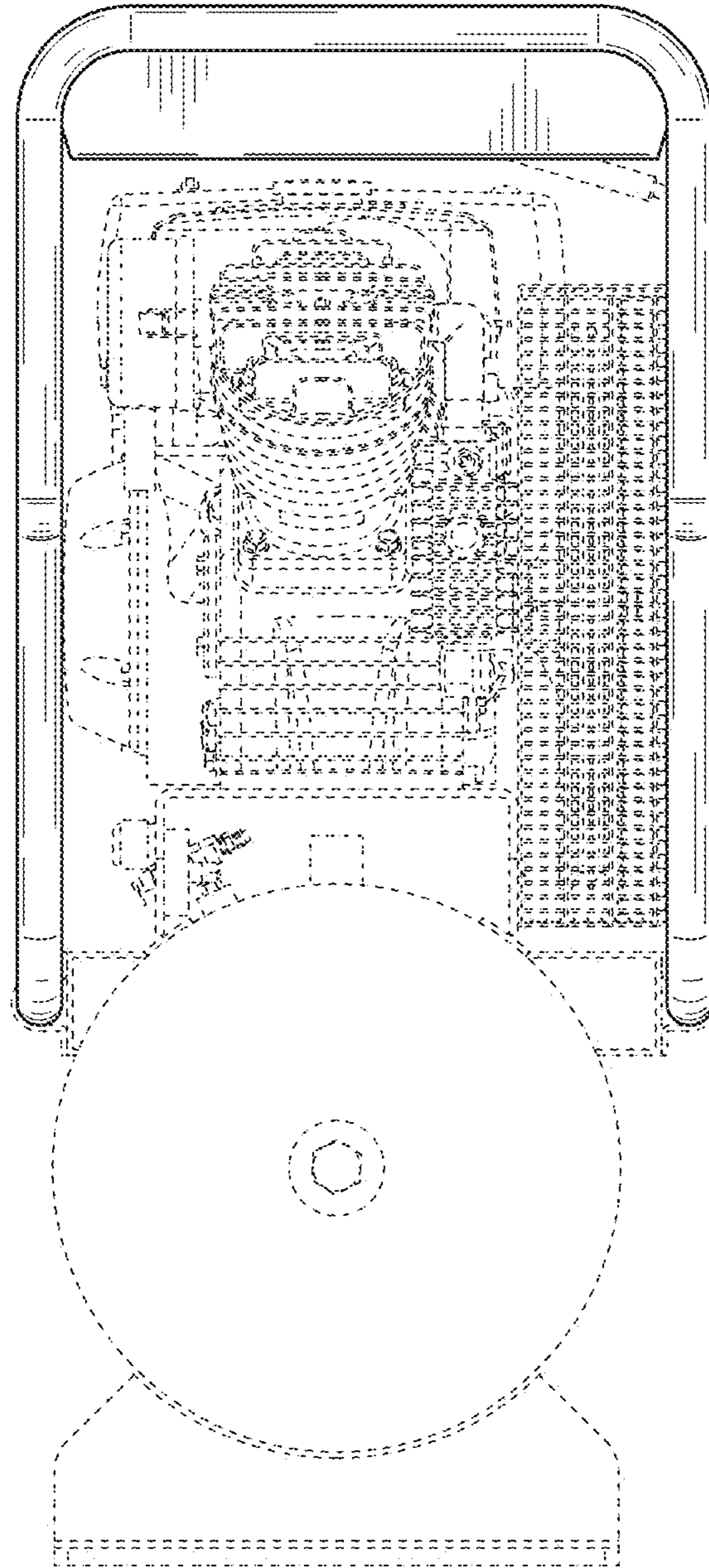


FIG. 4

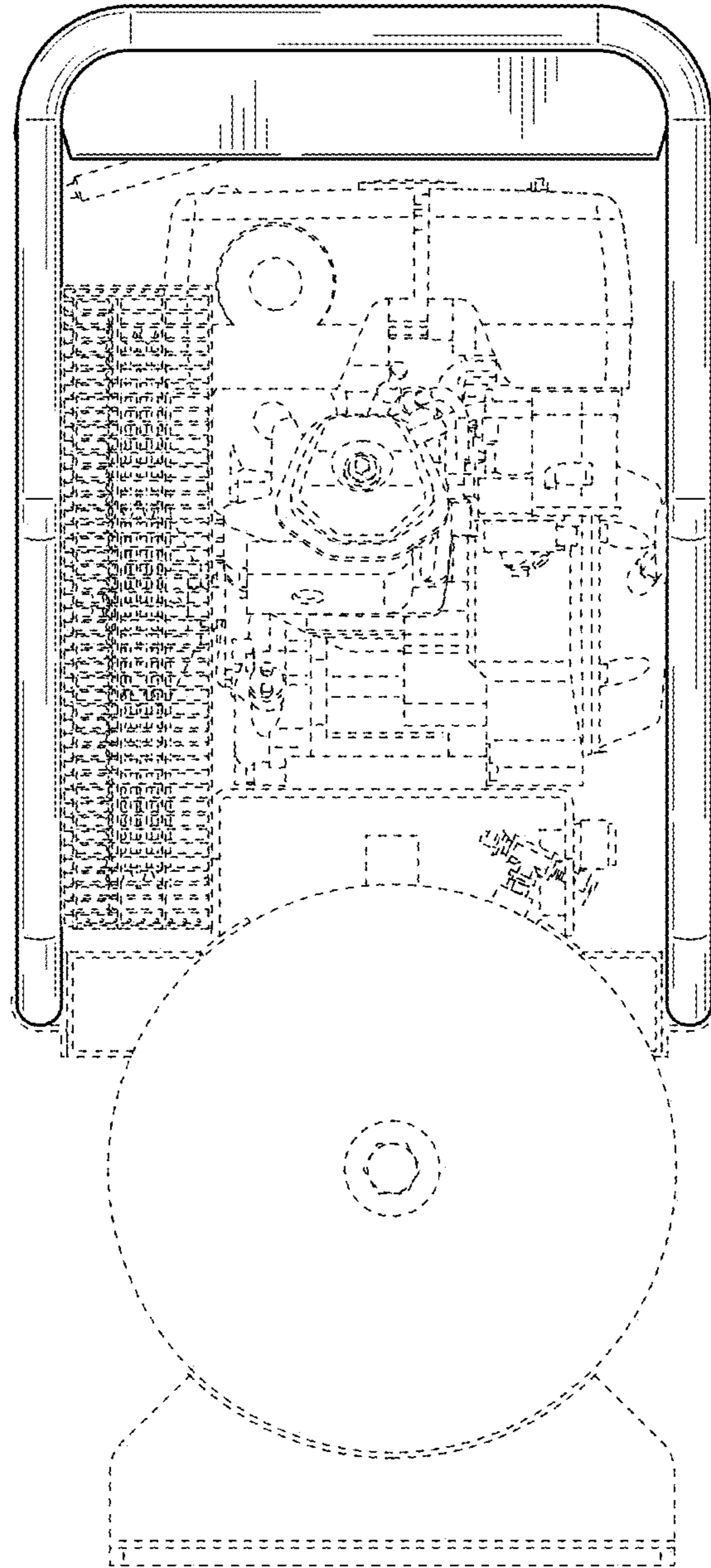


FIG. 5

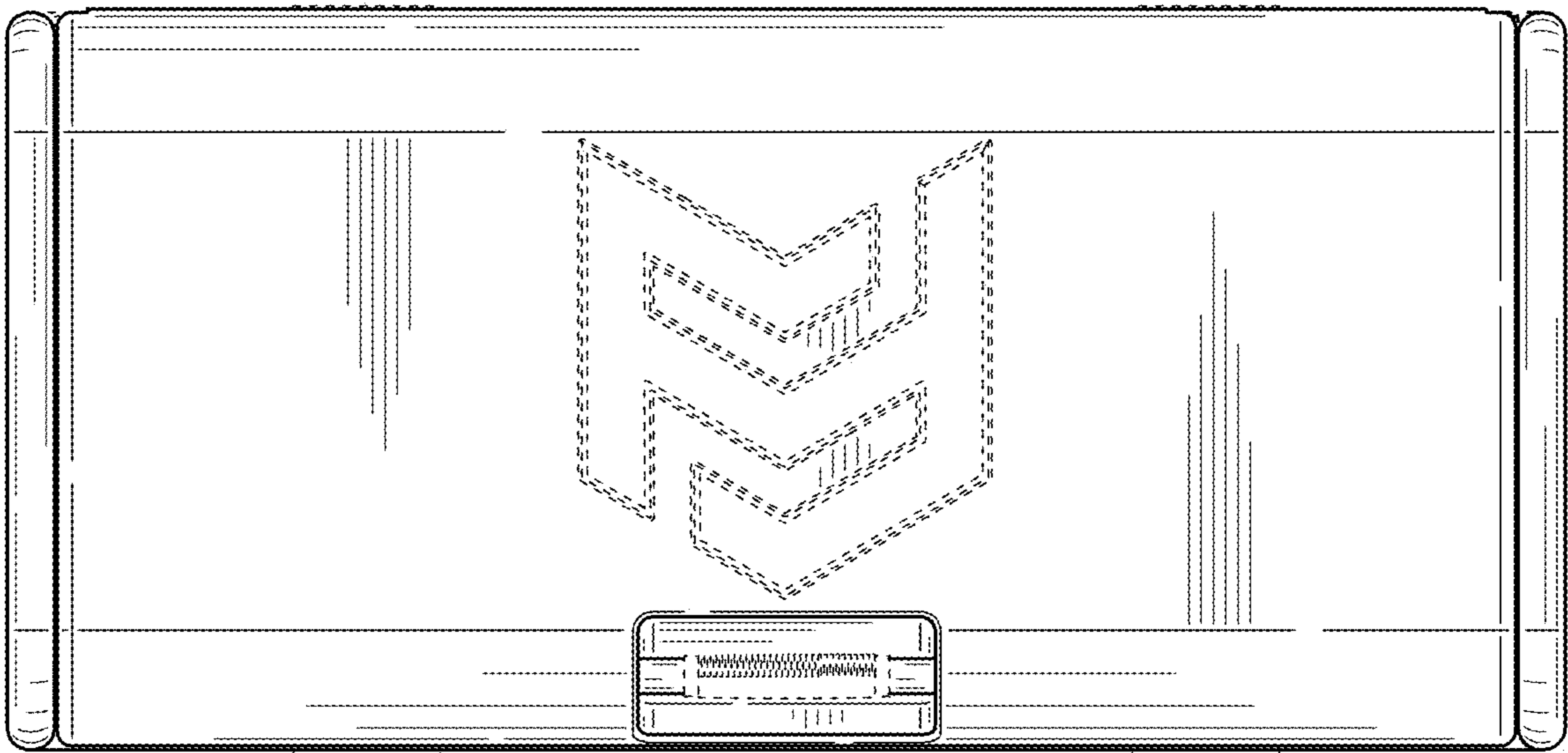


FIG. 6

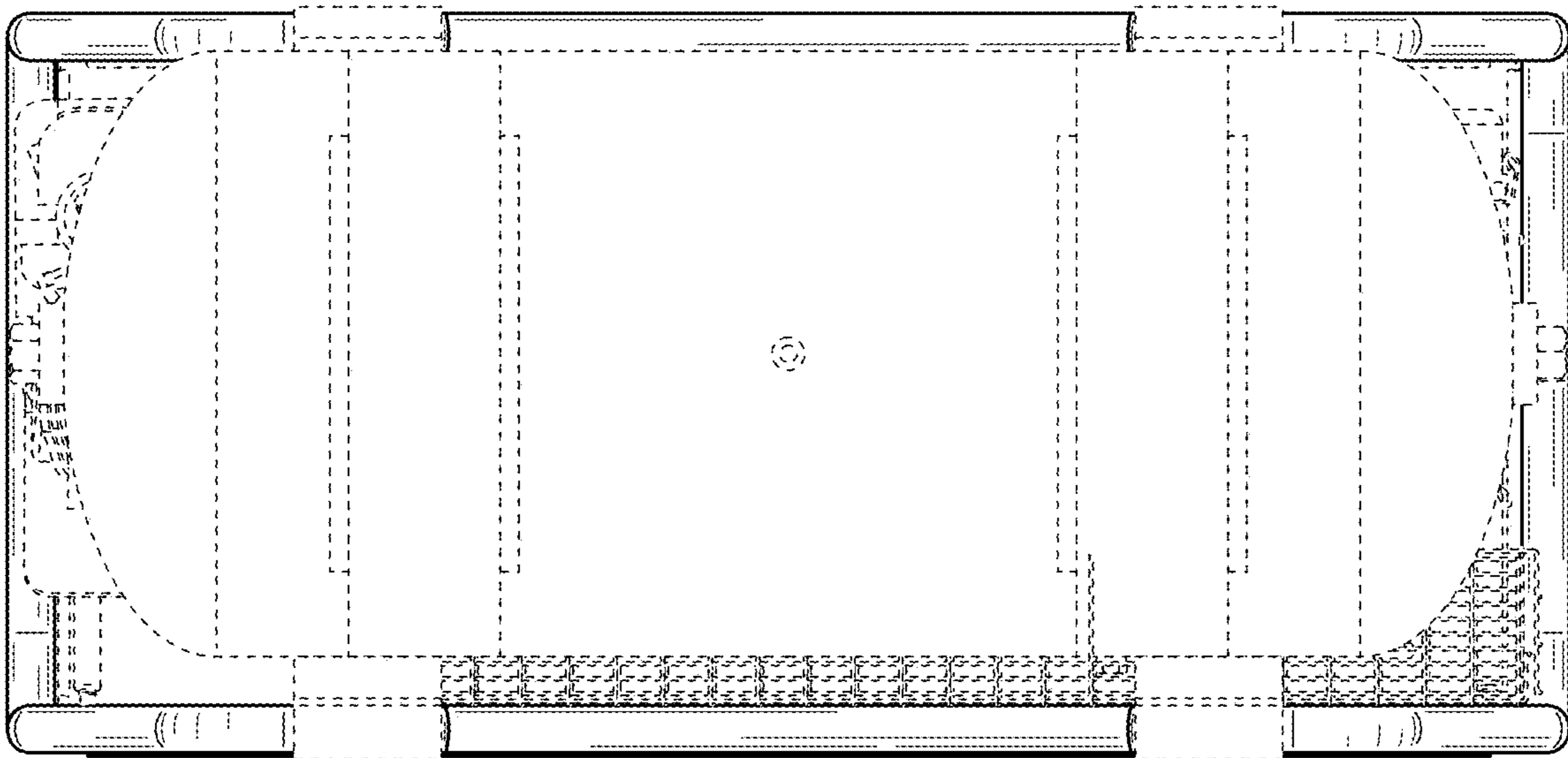


FIG. 7

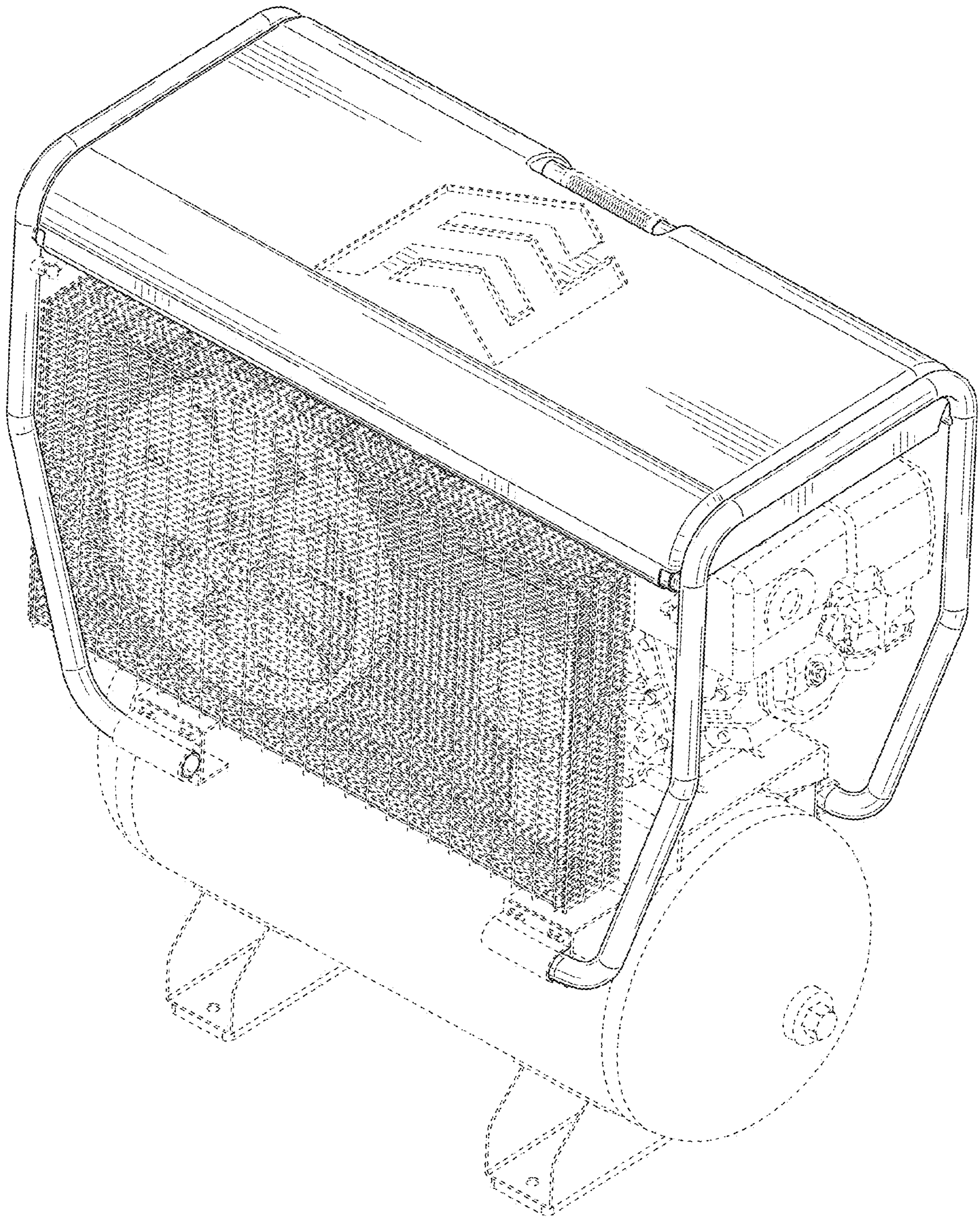


FIG. 8