



US00D984483S

(12) **United States Design Patent**
Vintzel

(10) **Patent No.:** **US D984,483 S**
(45) **Date of Patent:** **** Apr. 25, 2023**

(54) **AIR COMPRESSOR**

- (71) Applicant: **Harbor Freight Tools USA, Inc.**, Calabasas, CA (US)
- (72) Inventor: **James Constantine Vintzel**, Jackson, TN (US)
- (73) Assignee: **HARBOR FREIGHT TOOLS USA, INC.**, Calabasas, CA (US)

(**) Term: **15 Years**

(21) Appl. No.: **29/774,325**

(22) Filed: **Mar. 16, 2021**

(51) **LOC (14) Cl.** **15-02**

(52) **U.S. Cl.**
USPC **D15/9**

(58) **Field of Classification Search**
 USPC D13/103, 112; D15/7-9
 CPC .. E03B 5/00; F04B 41/02; F04B 41/06; F04B 35/04; F04B 35/06; F04B 25/00; F04B 17/06; F04B 17/03; F04B 53/18; F04B 23/00; F04B 41/00; F04C 2210/221; F04C 2240/30

See application file for complete search history.

(56) **References Cited**

U.S. PATENT DOCUMENTS

D352,292 S	*	11/1994	Morgan	D15/7
D484,514 S	*	12/2003	Hsiao	D15/9
D484,890 S	*	1/2004	Hsiao	D15/9
D484,892 S	*	1/2004	Hsiao	D15/9
D534,926 S	*	1/2007	Beecham	D15/9
D535,309 S	*	1/2007	Breecham	D15/9
D557,710 S	*	12/2007	Sharp	D15/9
D579,462 S	*	10/2008	Leasure	D15/7
D585,460 S	*	1/2009	Plunk	D15/9
D589,535 S	*	3/2009	Leasure	D15/9

OTHER PUBLICATIONS

Harbor Freight, 10 Gallon Oil-Lube Portable Air Compressor, (site visited Sep. 22, 2022), Harbor Freight Website, URL:<<https://www.harborfreight.com/air-tools-compressors/air-compressors-tanks/air-compressors/10-gallon-oil-lube-portable-air-compressor-58144.html>> (Year: 2022).*

Quipall, QPLN8-2 2HP 8 Gallon Oil Free Hot Dog Air Compressor, (site visited Sep. 22, 2022), eBay.com, URL:<https://www.ebay.com/itm/283638014375?_trkparms=%26rpp_cid%3D6244a4faaba119d4ec6506a0%26rpp_cid%3D6244a4faaba119d4ec65069f> (Year: 2022).*

Kobalt, 8-Gallon Single Stage Portable Electric Horizontal Air Compressor,(site visited Sep. 22, 2022), Lowes.com, URL:<<https://www.lowes.com/pd/Kobalt-8-Gallon-Single-Stage-Portable-Electric-Horizontal-Air-Compressor/1001013924>> (Year: 2022).*

* cited by examiner

Primary Examiner — Calvin E Vansant
Assistant Examiner — Mark T. Philipps
 (74) *Attorney, Agent, or Firm* — McAndrews Held & Malloy, Ltd.

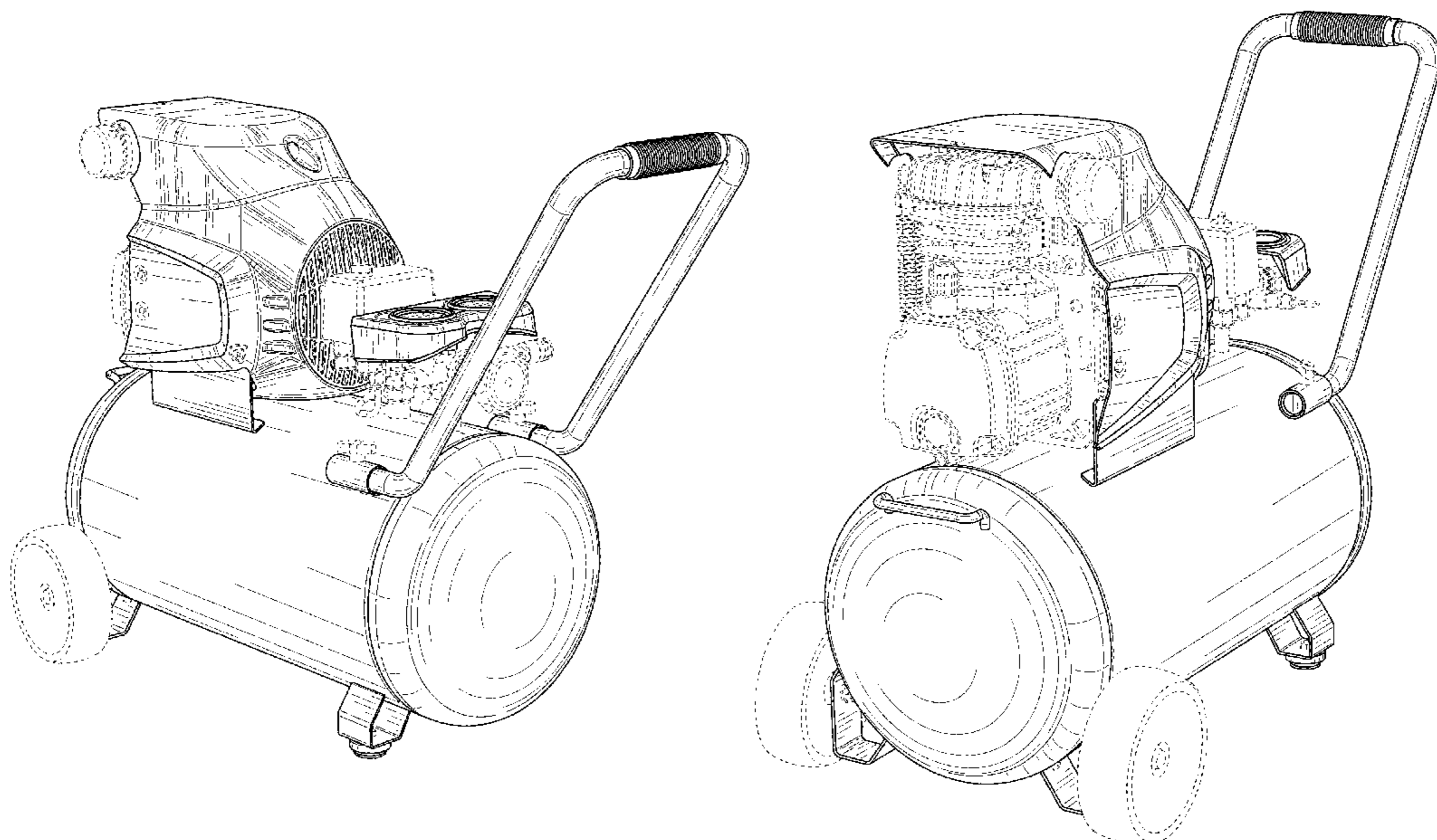
(57) **CLAIM**

The ornamental design for an air compressor, as shown and described.

DESCRIPTION

FIG. 1 is a front and top perspective view of an air compressor showing my new design;
 FIG. 2 is a front elevation view thereof;
 FIG. 3 is a rear elevation view thereof;
 FIG. 4 is a right side elevation view thereof;
 FIG. 5 is a left side elevation view thereof;
 FIG. 6 is a top plan view thereof;
 FIG. 7 is a bottom plan view thereof; and,
 FIG. 8 is a rear and top perspective view thereof.

1 Claim, 8 Drawing Sheets



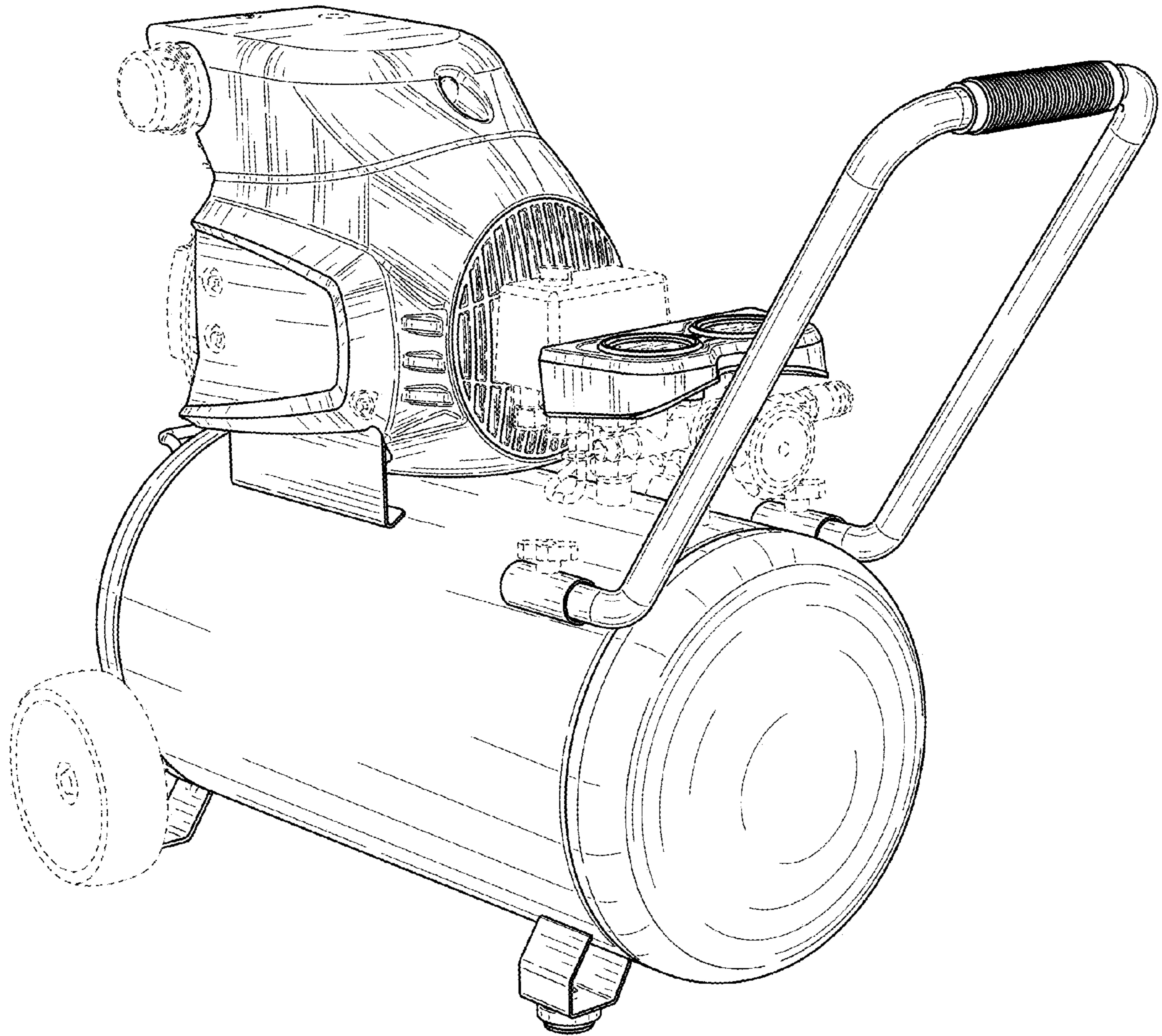


FIG. 1

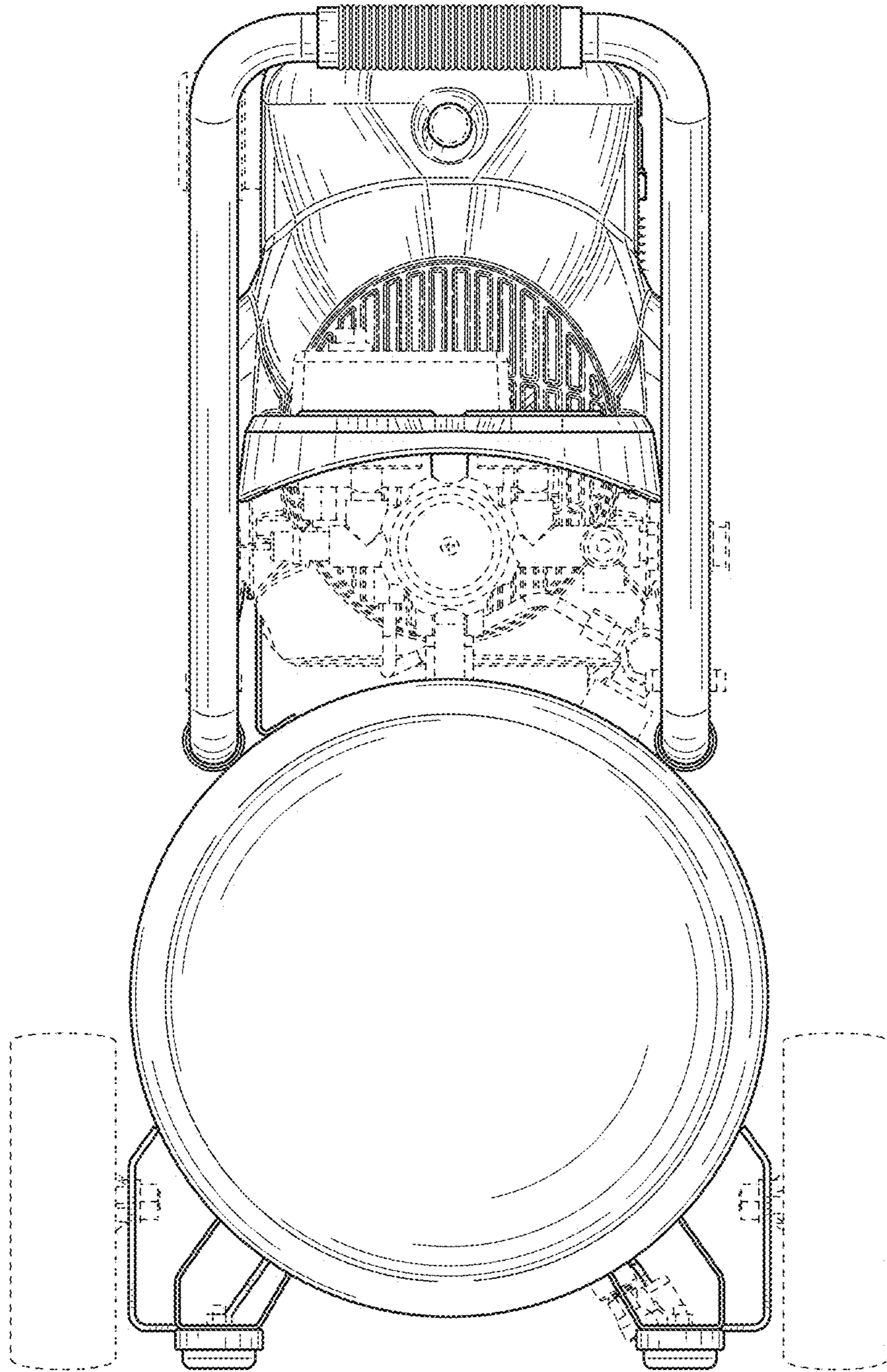


FIG. 2

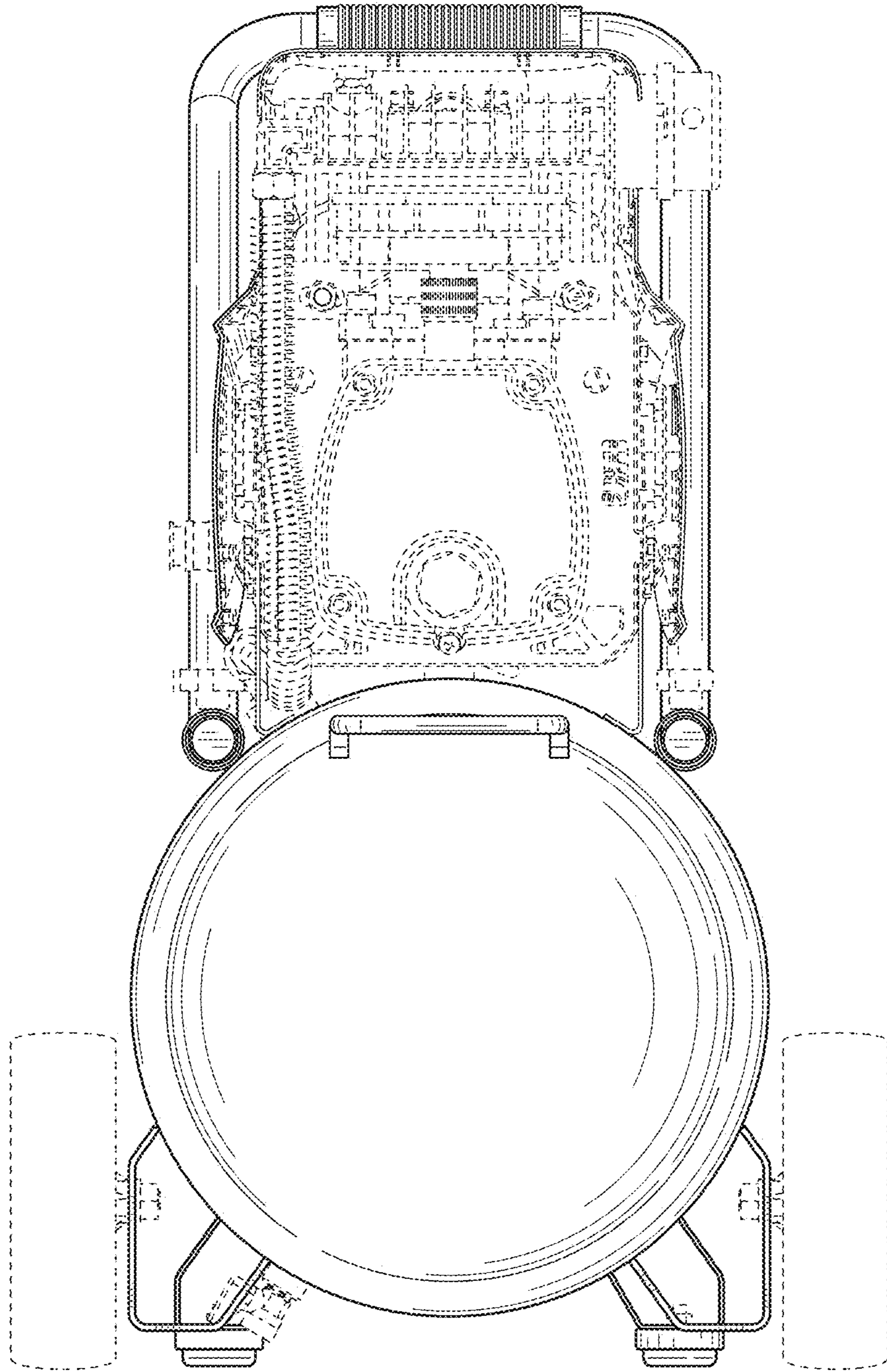


FIG. 3

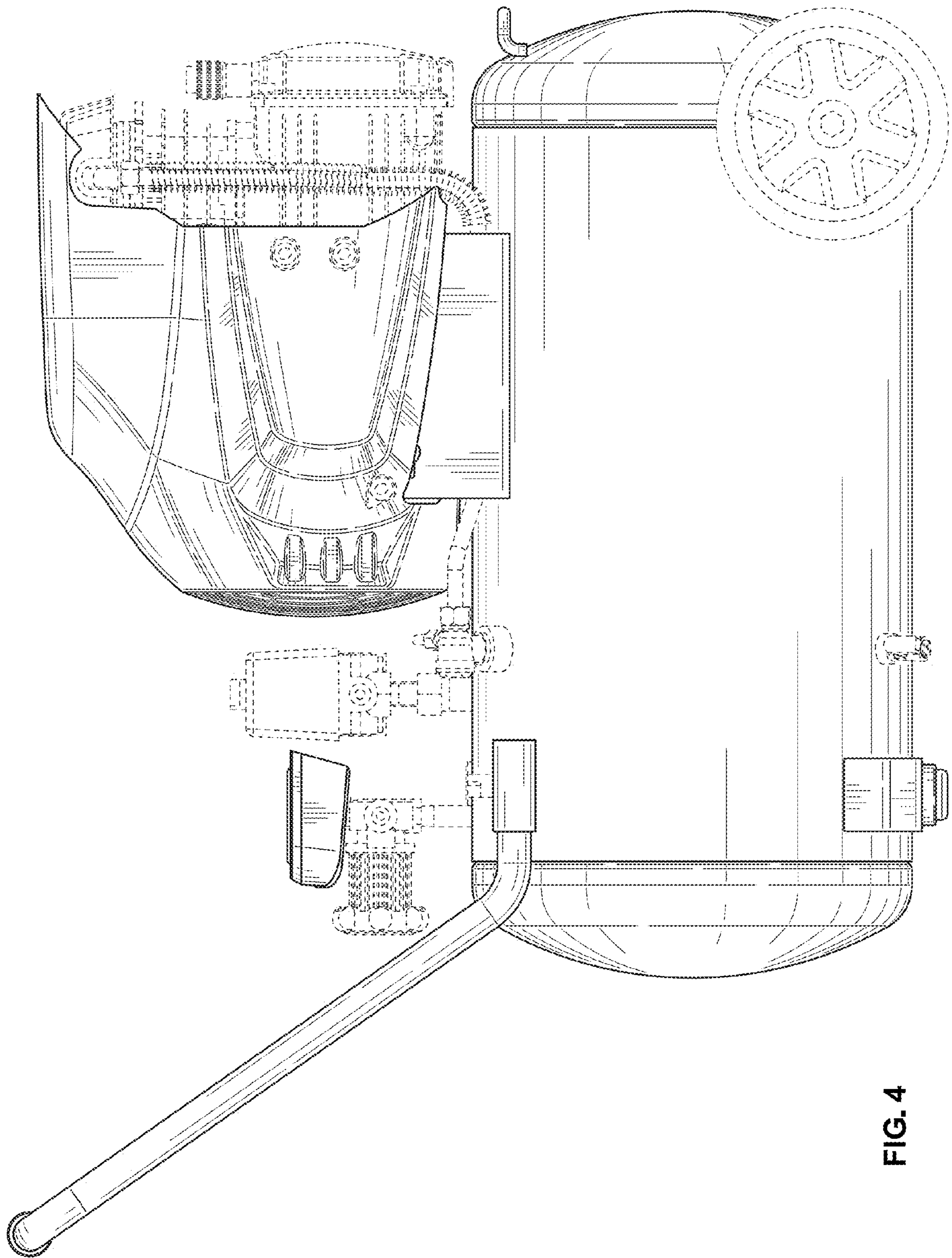


FIG. 4

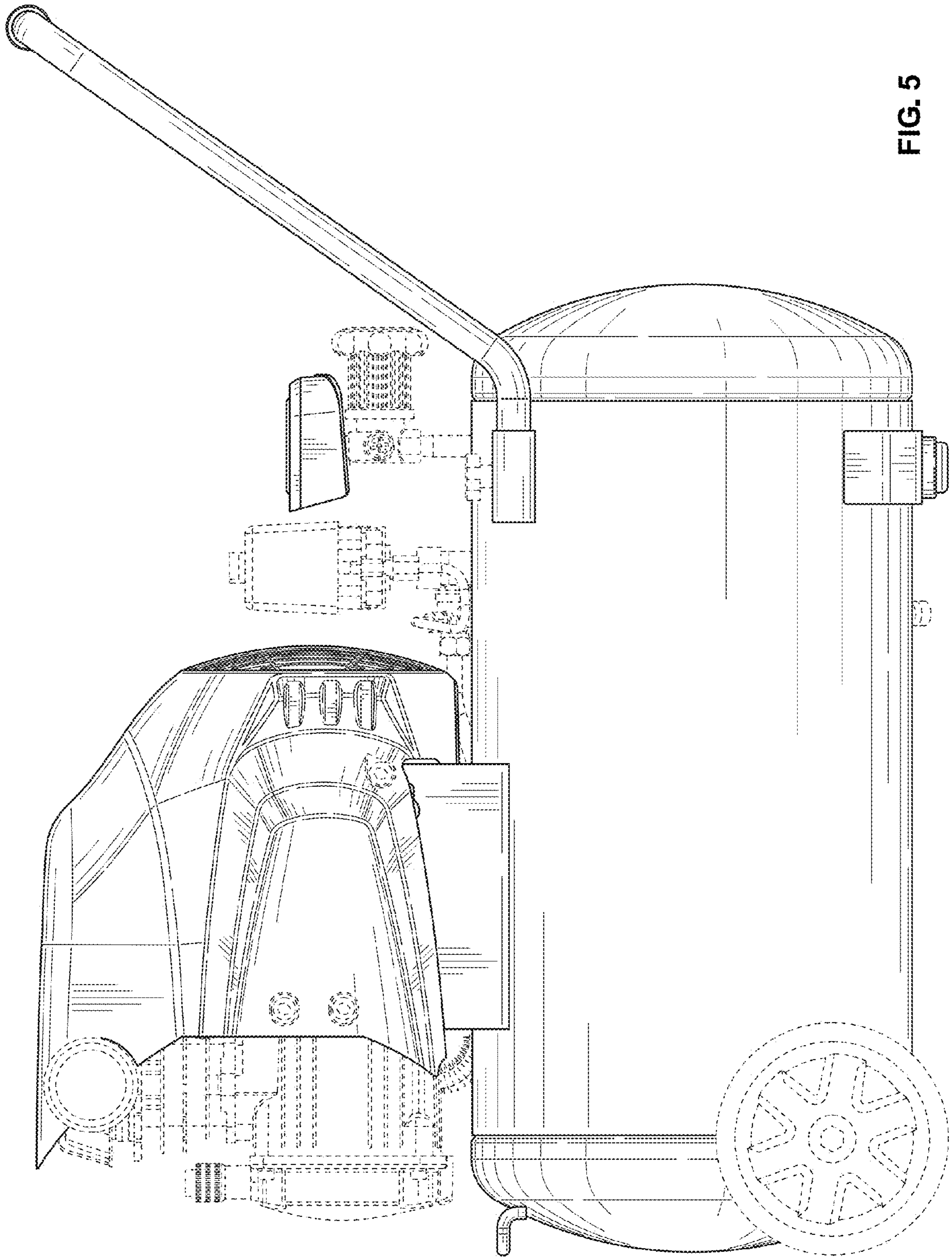


FIG. 5

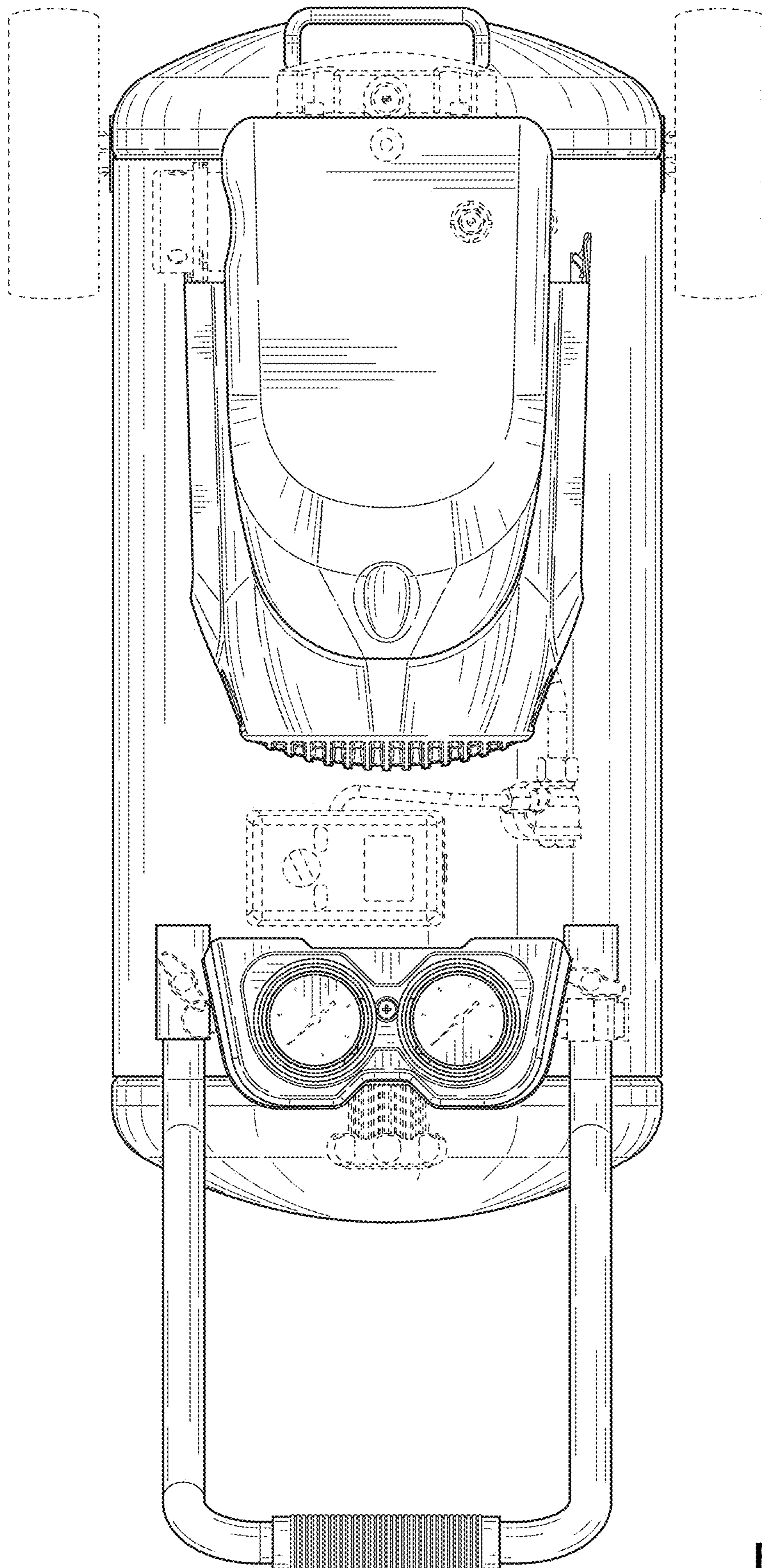


FIG. 6

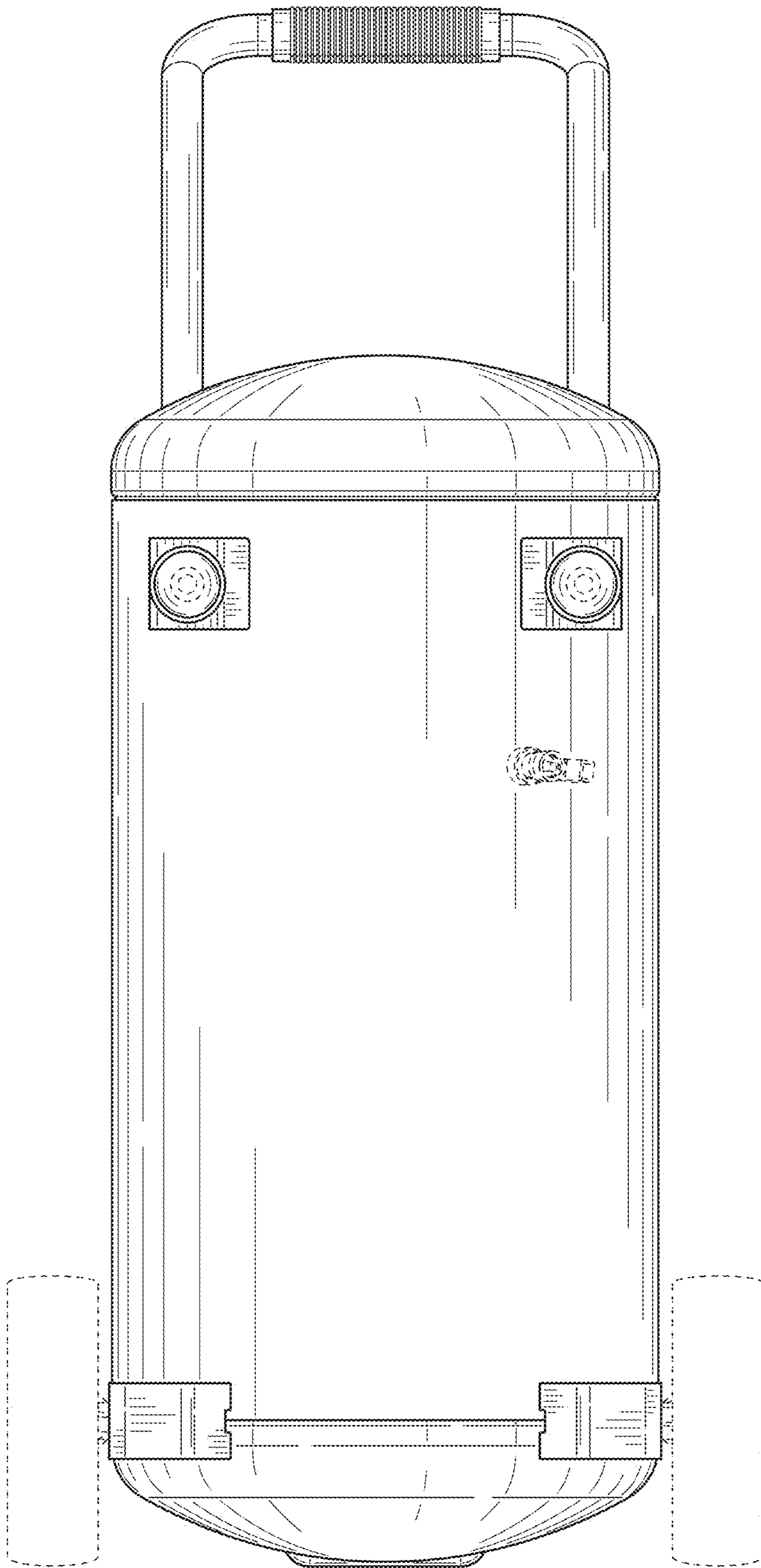


FIG. 7

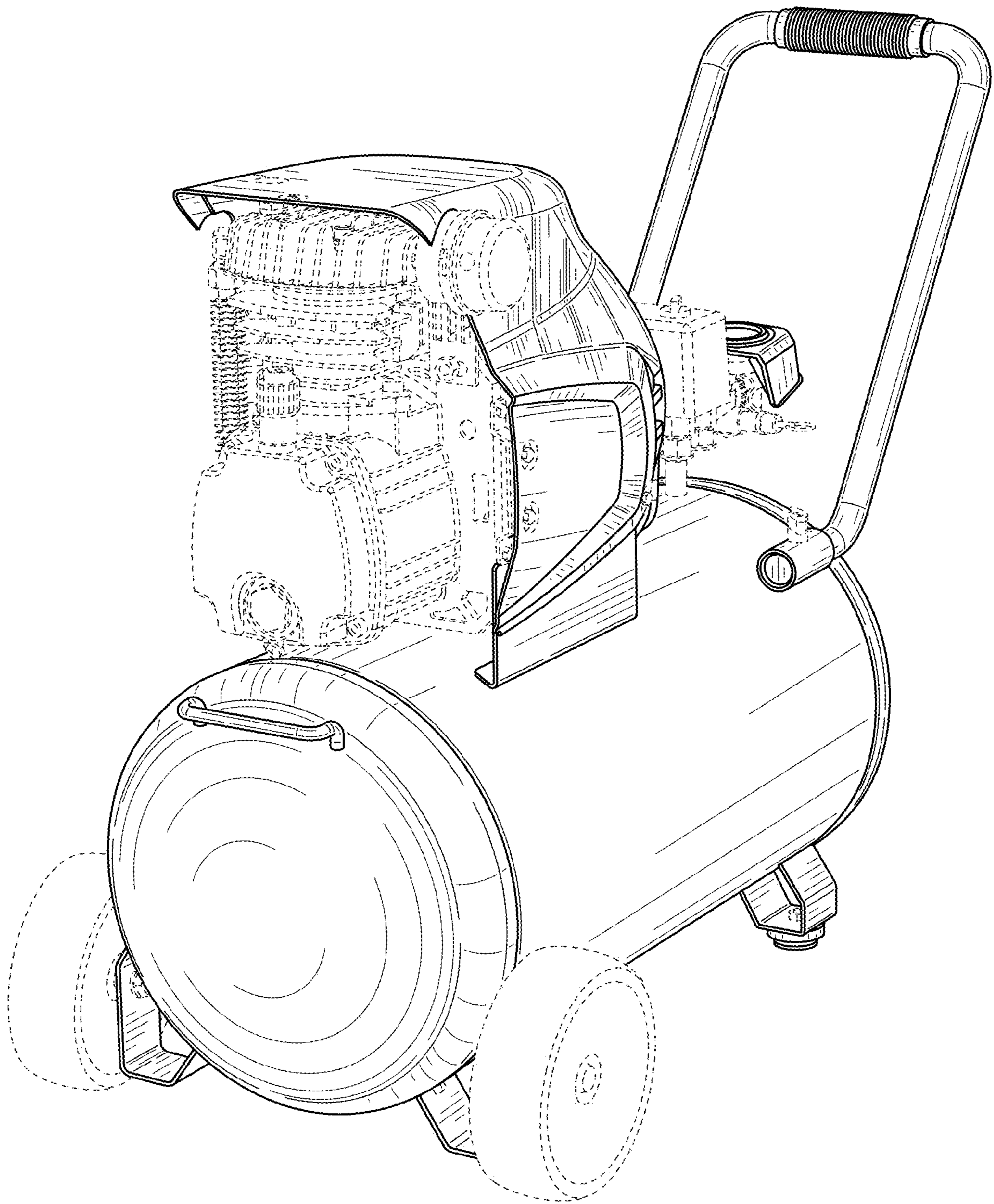


FIG. 8