



US00D984482S

(12) **United States Design Patent** (10) **Patent No.:** **US D984,482 S**
Wurden et al. (45) **Date of Patent:** **** Apr. 25, 2023**

(54) **OUTBOARD MOTOR**
(71) Applicant: **Pure Watercraft, Inc.**, Seattle, WA (US)
(72) Inventors: **Richard Theodore Wurden**, Seattle, WA (US); **Andrew Gaard**, Seattle, WA (US)

D518,489 S * 4/2006 Jaszewski D15/4
7,270,074 B2 9/2007 Pradetto et al.
9,623,948 B1 * 4/2017 Waldvogel B63H 21/305
10,358,202 B2 7/2019 Gil
10,464,651 B2 11/2019 Rebele et al.
2010/0248562 A1 9/2010 Daikoku
2011/0263165 A1 10/2011 Rolla
2012/0282825 A1 11/2012 Lin
(Continued)

(73) Assignee: **Pure Watercraft, Inc.**, Seattle, WA (US)

FOREIGN PATENT DOCUMENTS

JP 2005162055 6/2005

(**) Term: **15 Years**

OTHER PUBLICATIONS

(21) Appl. No.: **29/774,408**

“Compound Planetary Gear,” Planetary Gear Train with Stepped Planet Gear Set—Matlab, <http://www.mathworks.com>, accessed Aug. 25, 2017, 3 pages.

(22) Filed: **Mar. 16, 2021**

(51) **LOC (14) Cl.** **15-01**

(52) **U.S. Cl.**
USPC **D15/4**

(58) **Field of Classification Search**
USPC D15/4, 5, 1, 2, 3
CPC B63H 21/213; B63H 21/00; B63H 21/22;
B63H 20/007; B63H 20/00; B63H 20/10;
B63H 20/12; B63H 25/42
See application file for complete search history.

(Continued)

Primary Examiner — Ania Aman
(74) *Attorney, Agent, or Firm* — Perkins Coie LLP

(57) **CLAIM**

The ornamental design for an outboard motor, as shown and described.

(56) **References Cited**

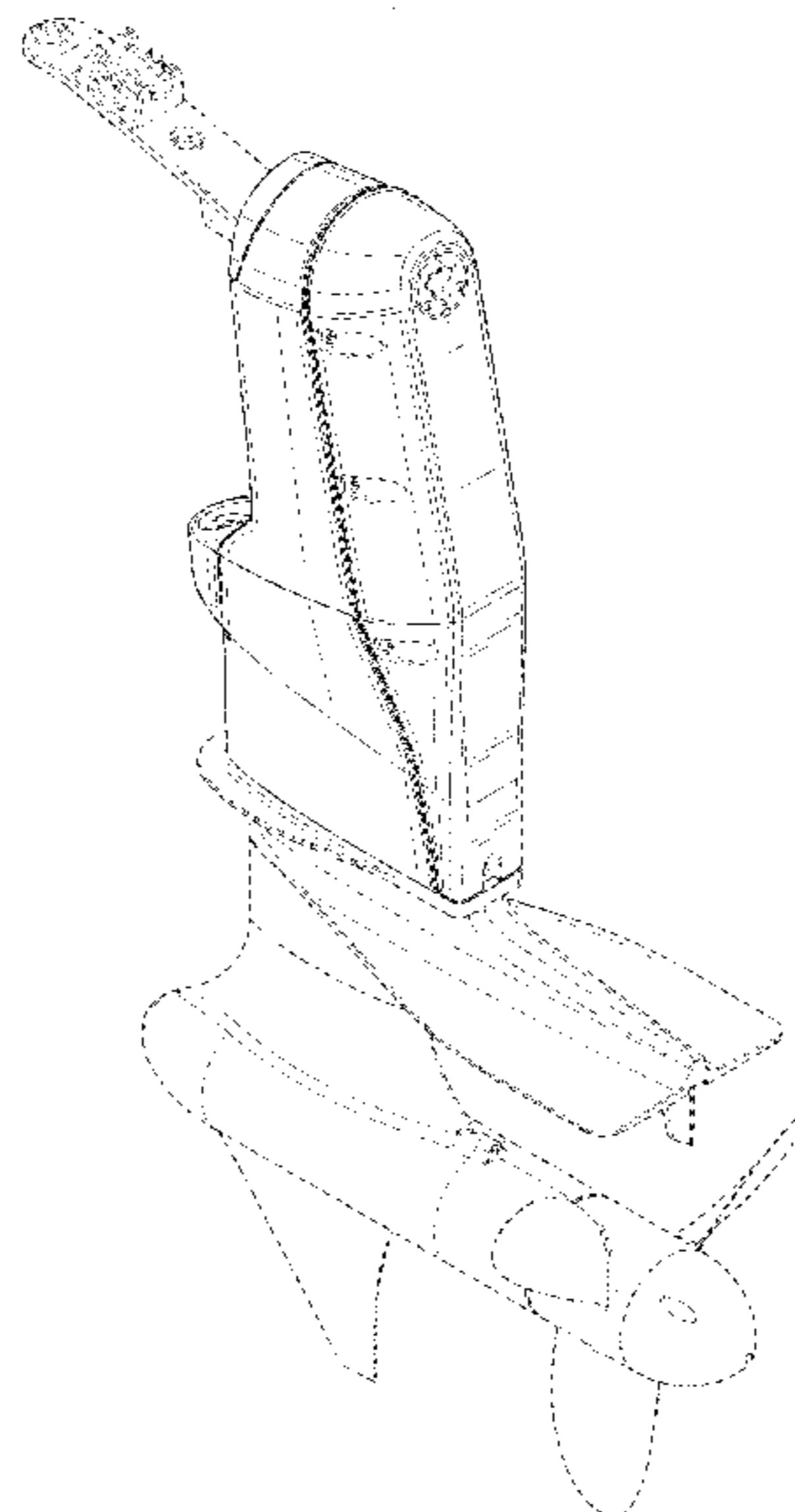
DESCRIPTION

U.S. PATENT DOCUMENTS

D179,902 S * 3/1957 Kiekhaefer D15/4
3,841,396 A 10/1974 Knaebel et al.
4,009,677 A 3/1977 Croisant et al.
4,092,946 A 6/1978 Kappas
4,099,478 A 7/1978 Alexander, Jr.
4,305,012 A 12/1981 Friedel
4,568,289 A 2/1986 Heidrich et al.
D297,846 S * 9/1988 Stevens D15/4
5,445,545 A 8/1995 Draper
5,967,863 A 10/1999 Marchant
6,213,821 B1 * 4/2001 Bernloehr B63H 20/106
440/59
6,231,407 B1 5/2001 Hein et al.

FIG. 1 is a rear isometric views of an outboard motor showing our new design.
FIG. 2 is a front elevational view thereof.
FIG. 3 is a rear elevational view thereof.
FIG. 4 is a right-side elevational view thereof.
FIG. 5 is a left-side elevational view thereof.
FIG. 6 is a top plan view thereof; and,
FIG. 7 is a bottom plan view thereof.
The broken lines in the drawings are for the purpose of illustrating portions of the outboard motor that form no part of the claimed design.

1 Claim, 7 Drawing Sheets



(56)

References Cited

U.S. PATENT DOCUMENTS

2013/0229072 A1 9/2013 Matsuda
2014/0187107 A1 7/2014 Gemin et al.

OTHER PUBLICATIONS

Nitrofreeze “Shrink Fitting,” <https://web.archive.org/web/20160724183319/http://nitrofreeze.com/services/custom-cryogenic-processing/shrink-fitting/>, Jul. 24, 2016, 3 pages.

* cited by examiner

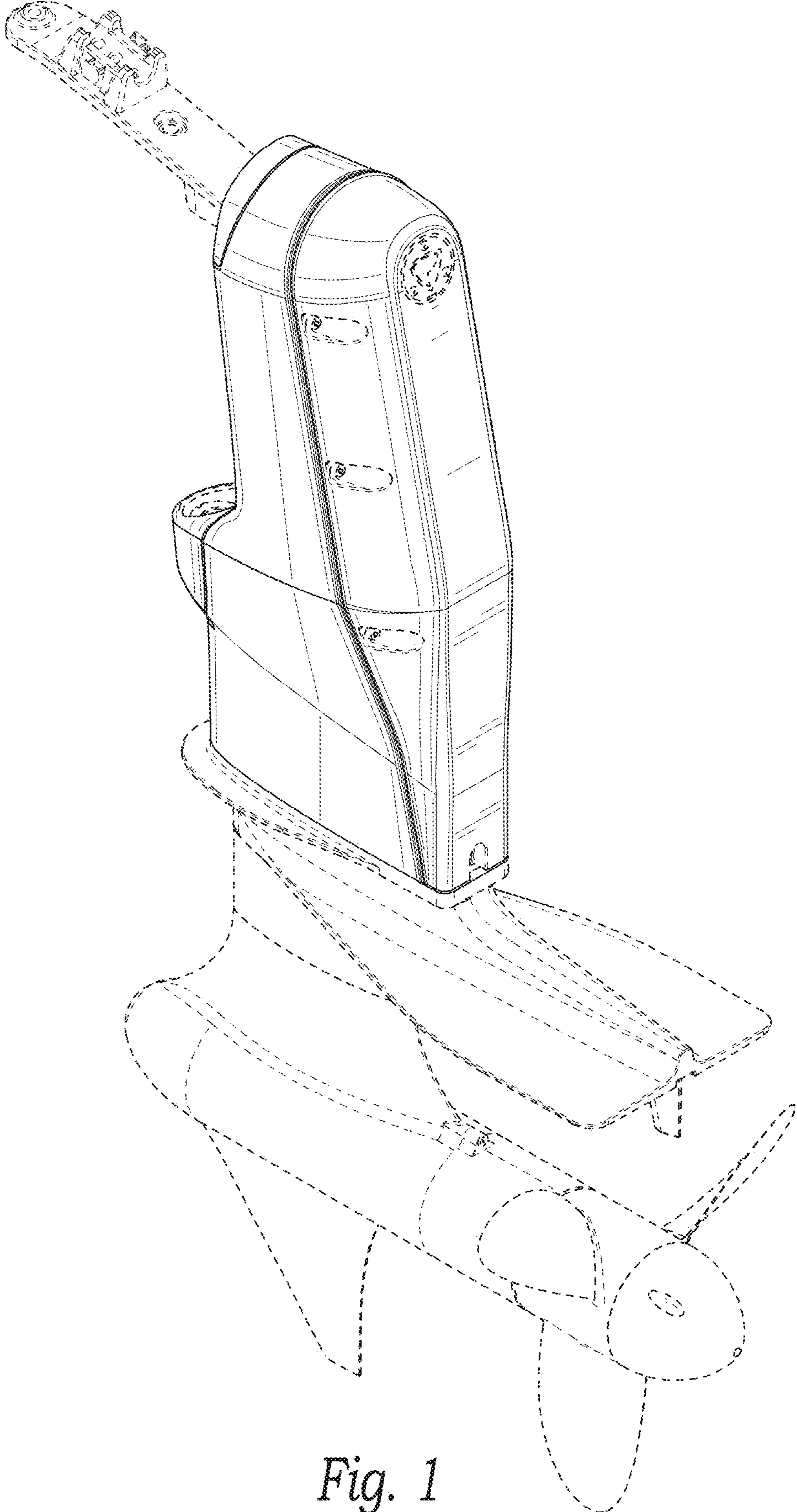


Fig. 1

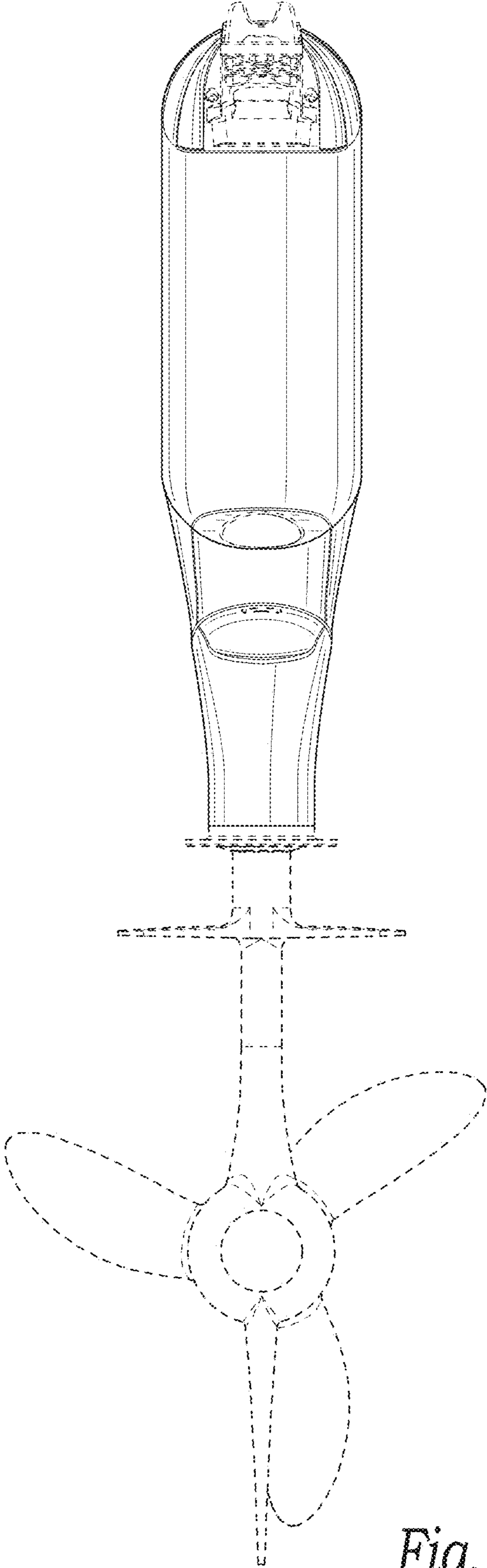


Fig. 2

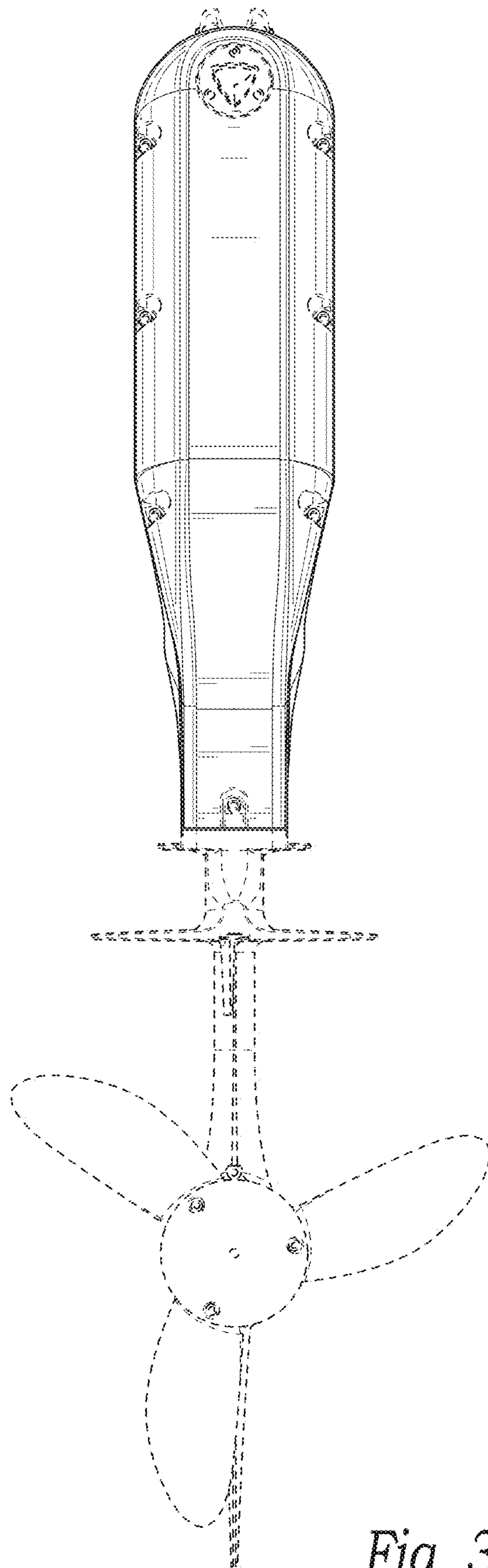


Fig. 3

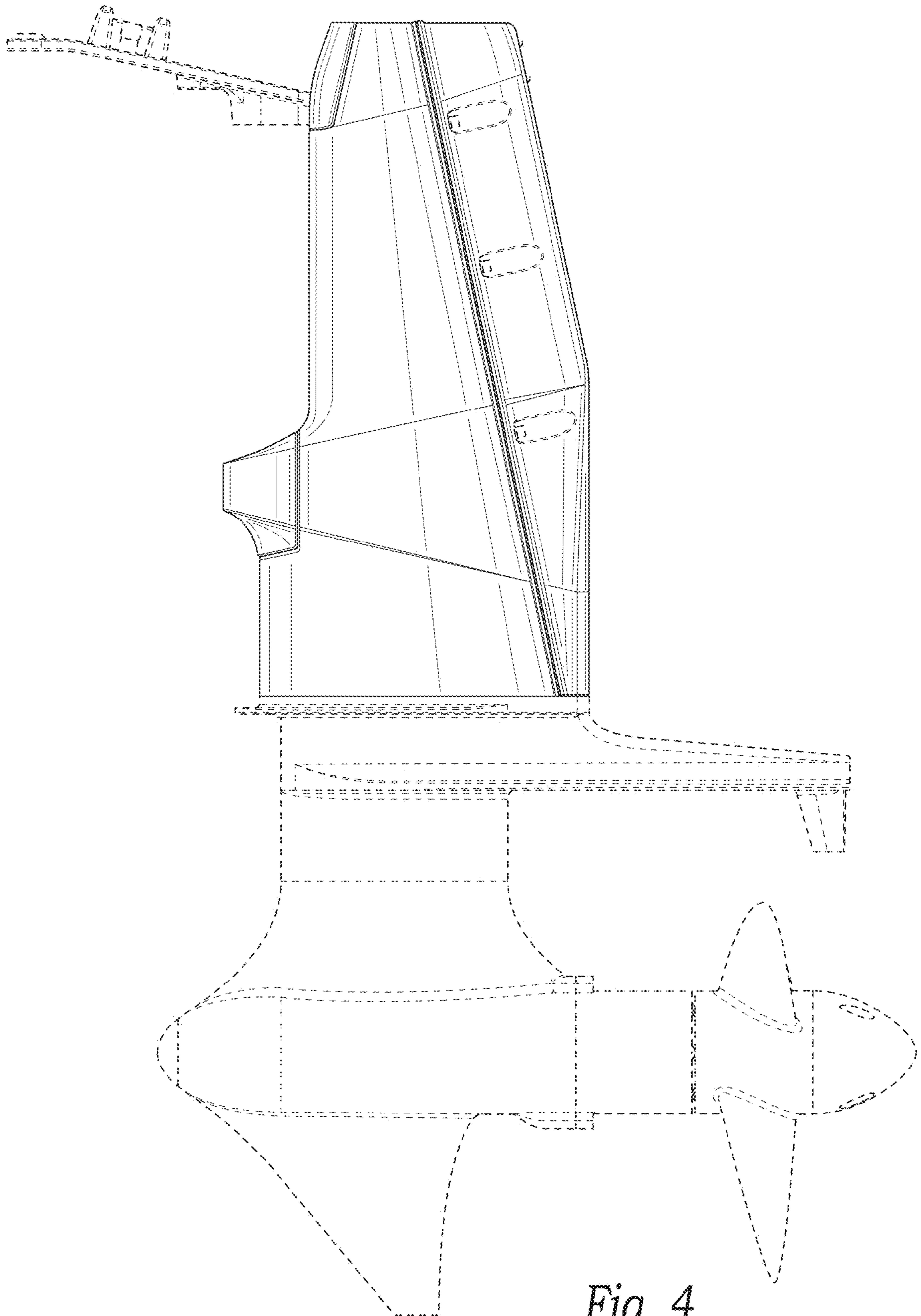


Fig. 4

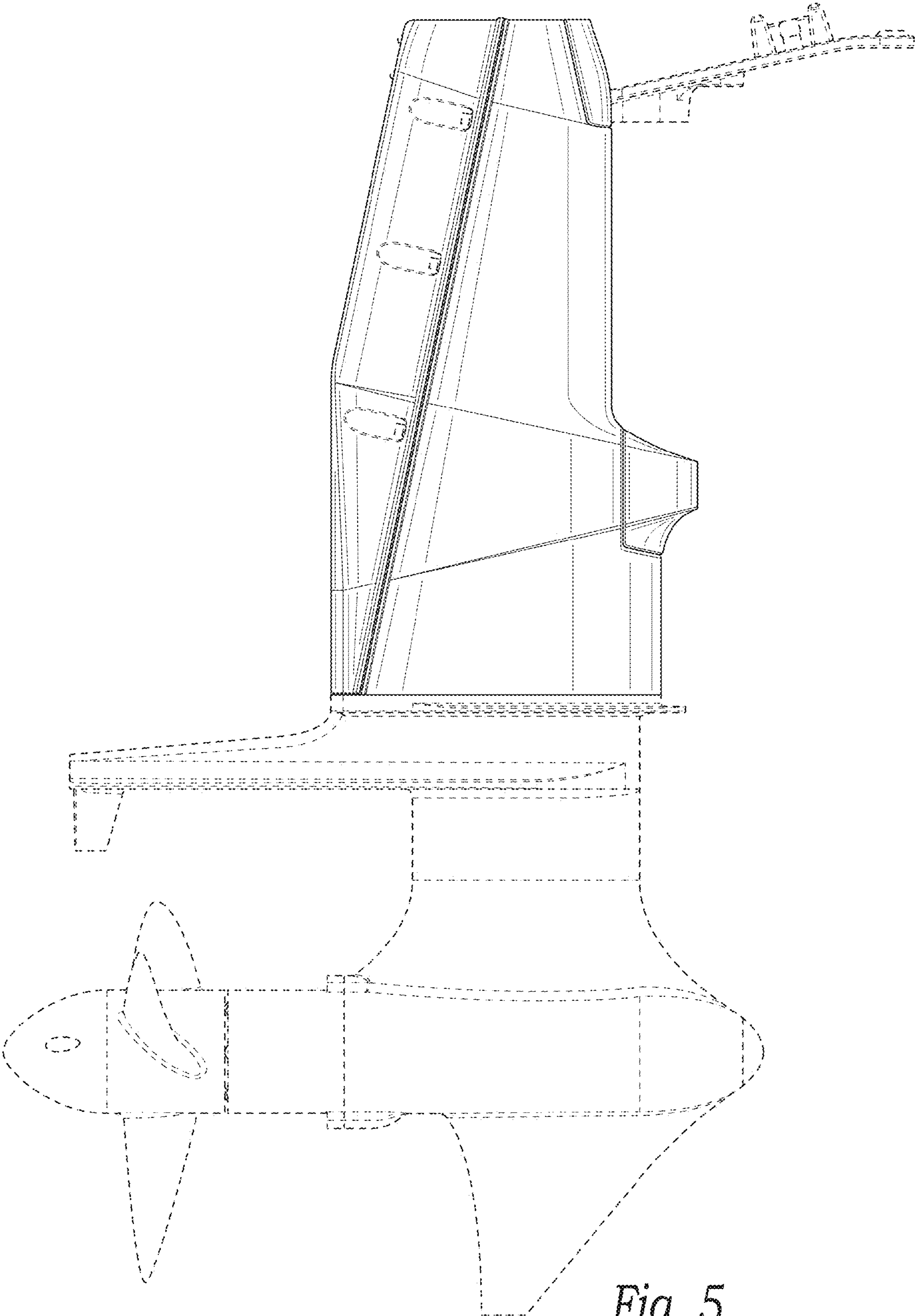


Fig. 5

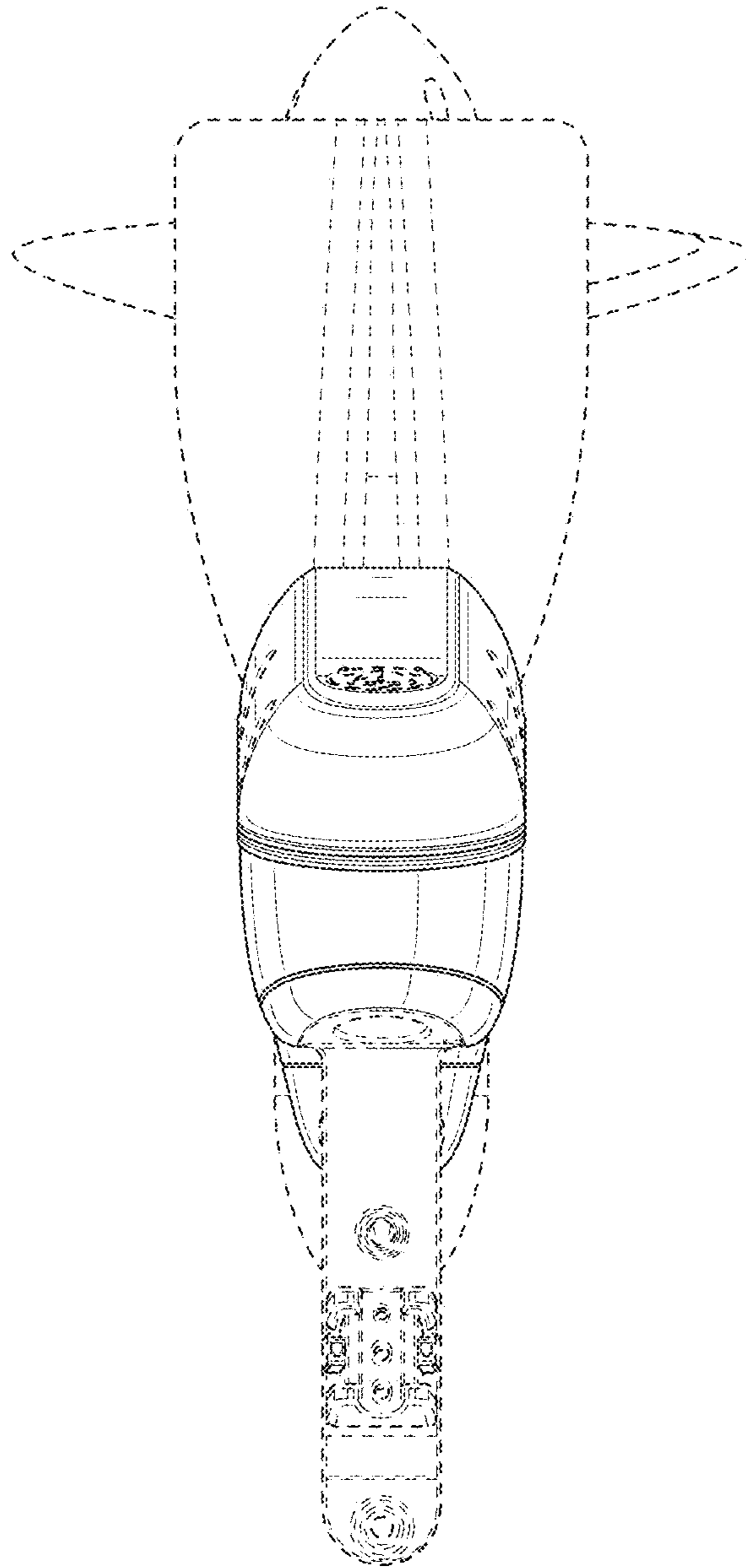


Fig. 6

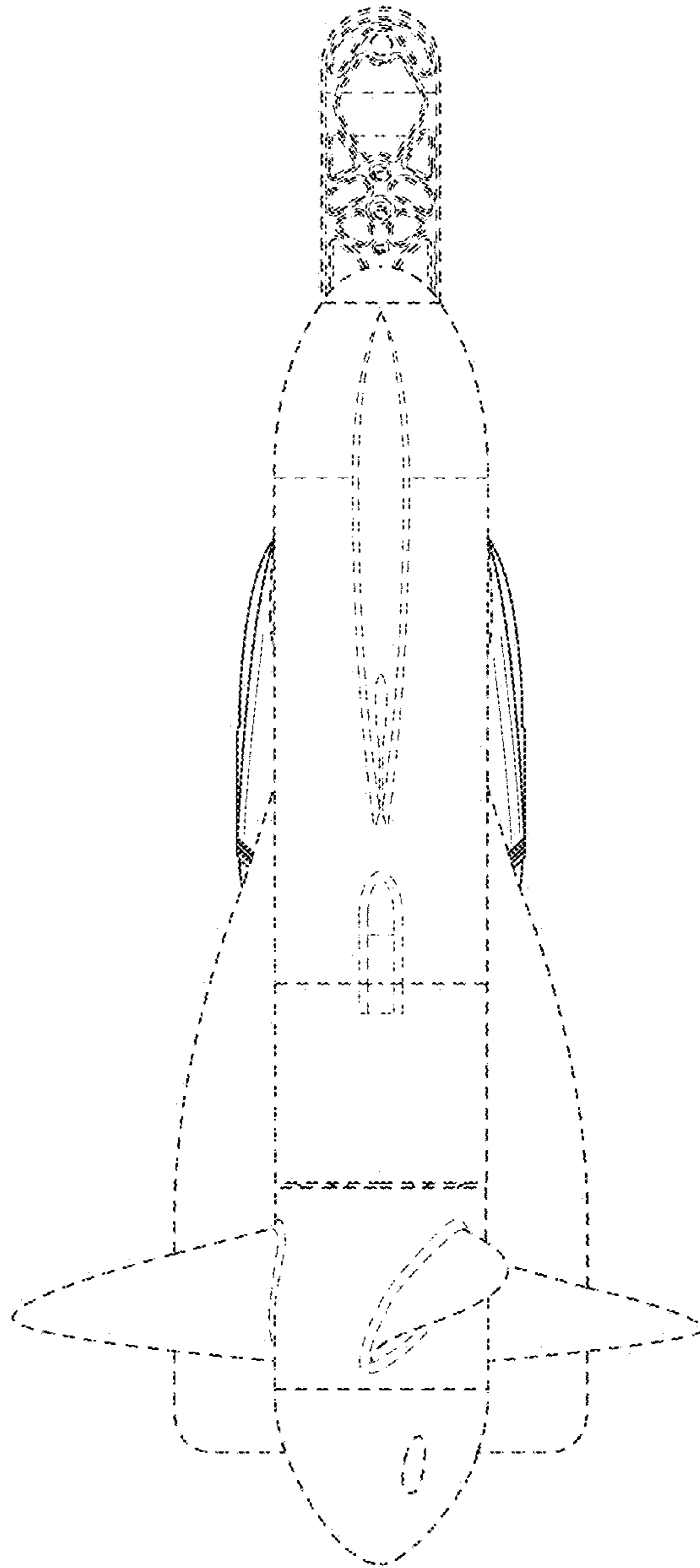


Fig. 7