



US00D984481S

(12) **United States Design Patent** (10) **Patent No.:** **US D984,481 S**
Moore et al. (45) **Date of Patent:** **** Apr. 25, 2023**

(54) **ELECTRONIC DEVICE**
(71) Applicant: **Amazon Technologies, Inc.**, Seattle, WA (US)
(72) Inventors: **Jesse Wheeler Moore**, Oakland, CA (US); **Giles David Matthew McWilliam**, San Francisco, CA (US)
(73) Assignee: **Amazon Technologies, Inc.**, Seattle, WA (US)
(**) Term: **15 Years**

D558,460 S 1/2008 Yu et al.
D569,629 S 5/2008 Yu et al.
D598,006 S 8/2009 Tse
D598,300 S 8/2009 Sadler et al.
D621,383 S 8/2010 Hou
(Continued)

(21) Appl. No.: **29/836,683**
(22) Filed: **Apr. 28, 2022**

FOREIGN PATENT DOCUMENTS

EM 008187447-006 10/2020
GB 6001875 * 10/2017
(Continued)

Related U.S. Application Data

(62) Division of application No. 29/806,025, filed on Aug. 31, 2021, now Pat. No. Des. 954,749, which is a division of application No. 29/684,862, filed on Mar. 25, 2019, now Pat. No. Des. 931,902.

OTHER PUBLICATIONS

Amazon Echo Show 5 (1st Gen, 2019 Release) Review, Oct. 5, 2020, [retrieved Dec. 27, 2022], Retrieved from Internet, URL: <<https://www.pcmag.com/reviews/amazon-echo-show-5>> (Year: 2020).*

(Continued)

(51) **LOC (14) Cl.** **14-03**
(52) **U.S. Cl.**

Primary Examiner — Messina L Smith
Assistant Examiner — Aram Kwon
(74) *Attorney, Agent, or Firm* — Lee & Hayes, P.C.

USPC **D14/496**
(58) **Field of Classification Search**
USPC D14/138 AA, 138 AB, 138 AC, 138 AD, D14/138 C, 138 G, 248, 315–318, D14/341–347, 371, 374, 432, 439, 496; D6/308, 310; D10/50, 65, 104.1; D18/6–7; D19/26, 59–60; D21/324, D21/329–330, 332
CPC ... H04M 1/0202; H04M 1/0266; H04M 1/725
See application file for complete search history.

(57) **CLAIM**

The ornamental design for an electronic device, as shown and described.

(56) **References Cited**

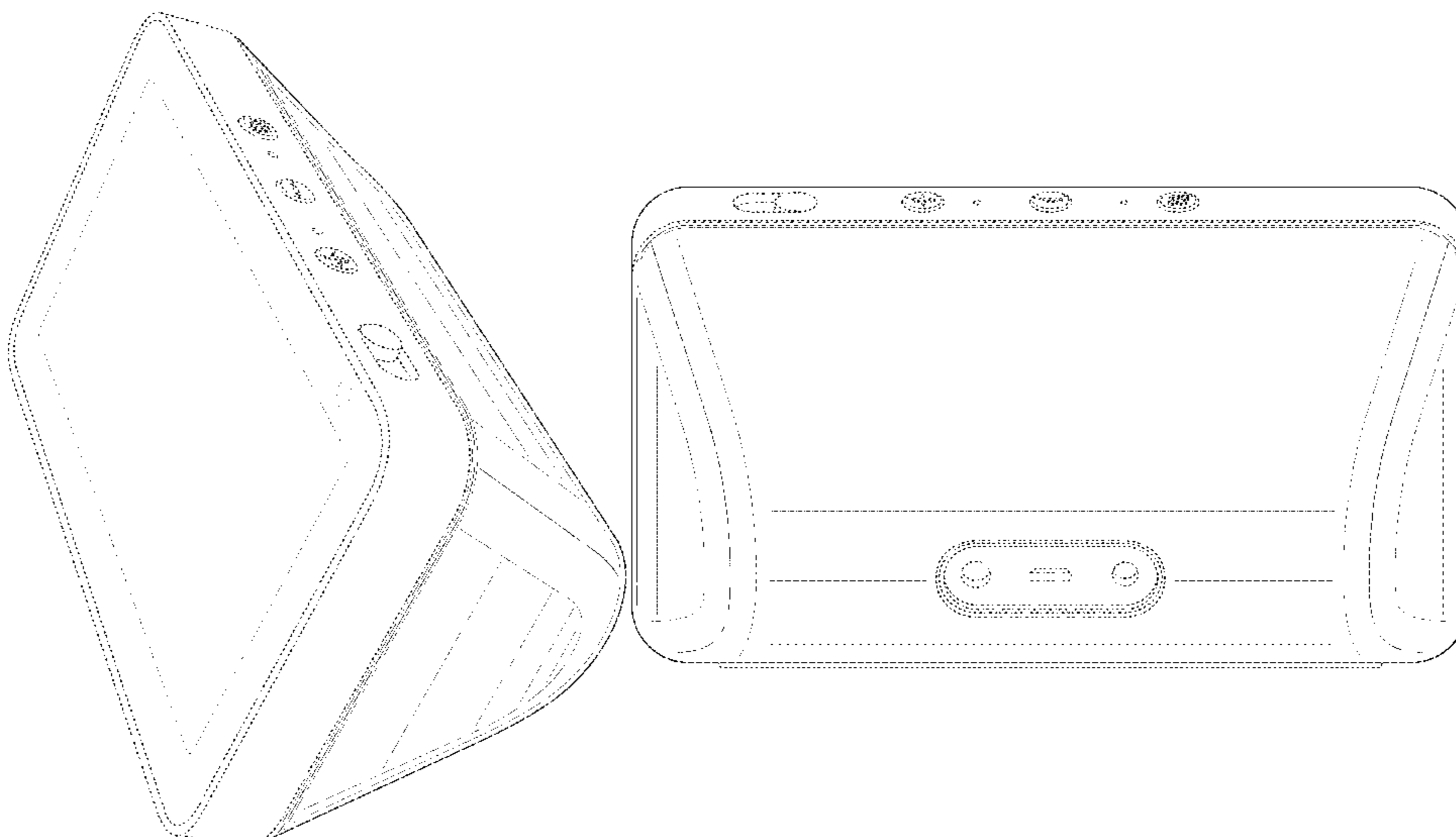
DESCRIPTION

U.S. PATENT DOCUMENTS

D266,759 S 11/1982 Jabara
D310,032 S 8/1990 Murata
D425,510 S * 5/2000 Dietz D14/371

FIG. 1 is a front, top, right perspective view of an electronic device;
FIG. 2 is a front view thereof;
FIG. 3 is a back view thereof;
FIG. 4 is a left-side view thereof;
FIG. 5 is a right-side view thereof;
FIG. 6 is a top view thereof; and,
FIG. 7 is a bottom view thereof.
The broken lines depict portions of the electronic device that form no part of the claimed design.

1 Claim, 7 Drawing Sheets



(56)

References Cited

U.S. PATENT DOCUMENTS

D628,913 S	12/2010	Cheng	
D638,822 S	5/2011	Hoehn et al.	
D659,670 S	5/2012	Goetzen et al.	
D670,664 S	11/2012	Brown	
D685,348 S	7/2013	Szymanski et al.	
D694,653 S *	12/2013	Hsu	D10/15
D697,506 S	1/2014	Bianco et al.	
D697,910 S	1/2014	Bianco et al.	
D720,393 S	12/2014	Held	
D745,512 S	12/2015	Lee et al.	
D755,754 S	5/2016	Schwartz	
D761,901 S	7/2016	Kim et al.	
D771,139 S	11/2016	Poulheim	
D773,429 S	12/2016	Holzer	
D774,485 S	12/2016	Kano et al.	
D784,826 S	4/2017	Bailey	
D789,362 S	6/2017	Eljas	
D810,709 S	2/2018	Jou et al.	
D839,264 S	1/2019	Nagano et al.	
D862,476 S *	10/2019	Han	D14/440
D868,869 S *	12/2019	Hodge	G06F 16/787 D16/208
D873,794 S	1/2020	Lee et al.	
D882,567 S *	4/2020	Parfitt	D14/371
D905,110 S *	12/2020	Zhang	D14/188
D907,637 S *	1/2021	Han	D14/440
D911,308 S	2/2021	Huang et al.	
D916,471 S	4/2021	Jiang	
D924,878 S *	7/2021	Han	D14/440
D931,902 S *	9/2021	Moore	D14/203.7
D937,831 S *	12/2021	Patterson	D14/371
D938,378 S	12/2021	Andresen	
D938,379 S	12/2021	Andresen	
D938,431 S *	12/2021	Han	D14/440
D954,749 S *	6/2022	Moore	D14/203.7
D967,819 S *	10/2022	Patterson	D14/371
D969,802 S *	11/2022	Zhu	D14/336

FOREIGN PATENT DOCUMENTS

IN	305391-0001	1/2020
JP	D2020-2963	7/2020
KR	3020180036631	3/2019
KR	3020190034740	5/2020
WO	WOD204555-001	12/2019
WO	WOD210409-001	10/2020

OTHER PUBLICATIONS

Amazon Debuts a New Echo Show, May 29, 2019, [retrieved Dec. 27, 2022], Retrieved from Internet, URL: <<https://www.wired.com/story/amazon-echo-show-5-and-alexa-privacy-hub/>> (Year: 2019).*

Amazon Echo Show 5 Review, Dec. 30, 2019, [retrieved Dec. 27, 2022], Retrieved from Internet, URL: <<https://www.gadgets360.com/smart-home/reviews/amazon-echo-show-5-review-india-price-2090392>> (Year: 2019).*

Amazon Echo Show 5 review, Jul. 24, 2019, [retrieved Dec. 27, 2022], Retrieved from Internet, URL: <<https://www.theguardian.com/technology/2019/jul/24/amazon-echo-show-5-review-smaller-cheaper-alexa-display>> (Year: 2019).*

Amazon Reveals Echo Show 5, May 29, 2019, [retrieved Dec. 27, 2022], Retrieved from Internet, URL: <<https://www.forbes.com/sites/davidphelan/2019/05/29/amazon-launches-goldilocks-echo-echo-show-5-with-camera-privacy-shutter-for-89-99/?sh=39bfec0a4775>> (Year: 2019).*

The Echo Show 5 is the perfect addition to your nightstand, Jul. 22, 2021, [retrieved Dec. 27, 2022], Retrieved from Internet, URL: <<https://www.cnn.com/cnn-underscored/reviews/amazon-echo-show-5-review>> (Year: 2021).*

Amazon Echo Show 5 review, retrieved on Mar. 2022, at <https://www.gsmarena.com/amazon_echo_show_5_review-news-38754.php>, 2019, 5 pgs.

Amazon Echo Show 8 review, retrieved Mar. 2022, from <<https://www.cnet.com/reviews/amazon-echo-show-8-review/>>, 2020, 17 pgs.

Amazon Reveals Echo Show 5, retrieved Mar. 2022, at <<https://www.forbes.com/sites/davidphelan/2019/05/29/amazon-launches-goldilocks-echo-echo-show-5-with-camera-privacy-shutter-for-89-99/?sh=4f323f104775>>, 2019, 6 pgs.

Amazon's Echo Show 8 hits the sweet spot for smart displays, retrieved at <<https://www.theverge.com/2019/11/26/20983661/amazon-echo-show-8-review-alexa-smart-display-price-specs-features>>, 2019, 7 pgs.

The Canadian Office Action dated Nov. 19, 2020 for Canadian Patent Application No. 189576, a counterpart of U.S. Appl. No. 29/718,163, 2 pages.

"Echo Show 8", retrieved on Oct. 21, 2020 at <https://www.amazon.com/Echo-Show-8/dp/B07PF1Y28C/ref=asc_df_B07PF1Y28C/?tag=&linkCode=df0&hvadid=4167734569358hvpos=&hvnetw=g%E2%80%A6&th=1>, date not available, 13 pgs.

Gibbs, "Amazon Echo Show (2nd gen) review", retrieved on Oct. 21, 2020, at <<https://www.theguardian.com/technology/2019/jan/15/amazon-echo-show-2nd-gen-review-alexa-speaker>>, Jan. 2019, pp. 1-7.

Goode, "Review: Amazon Echo Show 5", retrieved on Mar. 16, 2021, at <<https://www.wired.com/review/amazon-echo-show-5/>> Wired, Jun. 24, 2019, pp. 1-5.

Leskin, "Amazon just unveiled a brand—new Echo with a screen and a camera, and it's one of the company's easiest cheapest Echo devices yet", retrieved on Mar. 16, 2021 at <<https://www.theverge.com/2019/6/24/18714432/amazon-echo-show-5-alexa-smart-alarm-display-review-specs-price-features>>, Business Insider, May 28, 2019, pp. 1-17.

Office Action for U.S. Appl. No. 29/684,862, dated on Apr. 1, 2021, Moore, "Electronic Device", 7 Pages.

Seifert, "Amazon's Echo Show 5 is the smart alarm clock to get", retrieved on Mar. 16, 2021, at <<https://www.theverge.com/2019/6/24/18714432/amazon-echo-show-5-alexa-smart-alarm-display-review-specs-price-features>>, The Verge, pp. 1-12.

The Amazon Echo Show 5 puts Alexa on a smaller screen, retrieved on Mar. 2022, at <<https://www.theverge.com/2019/5/29/18643451/amazon-echo-show-5-alexa-screen-price-availability-89>>, 2019, 4 pgs.

* cited by examiner

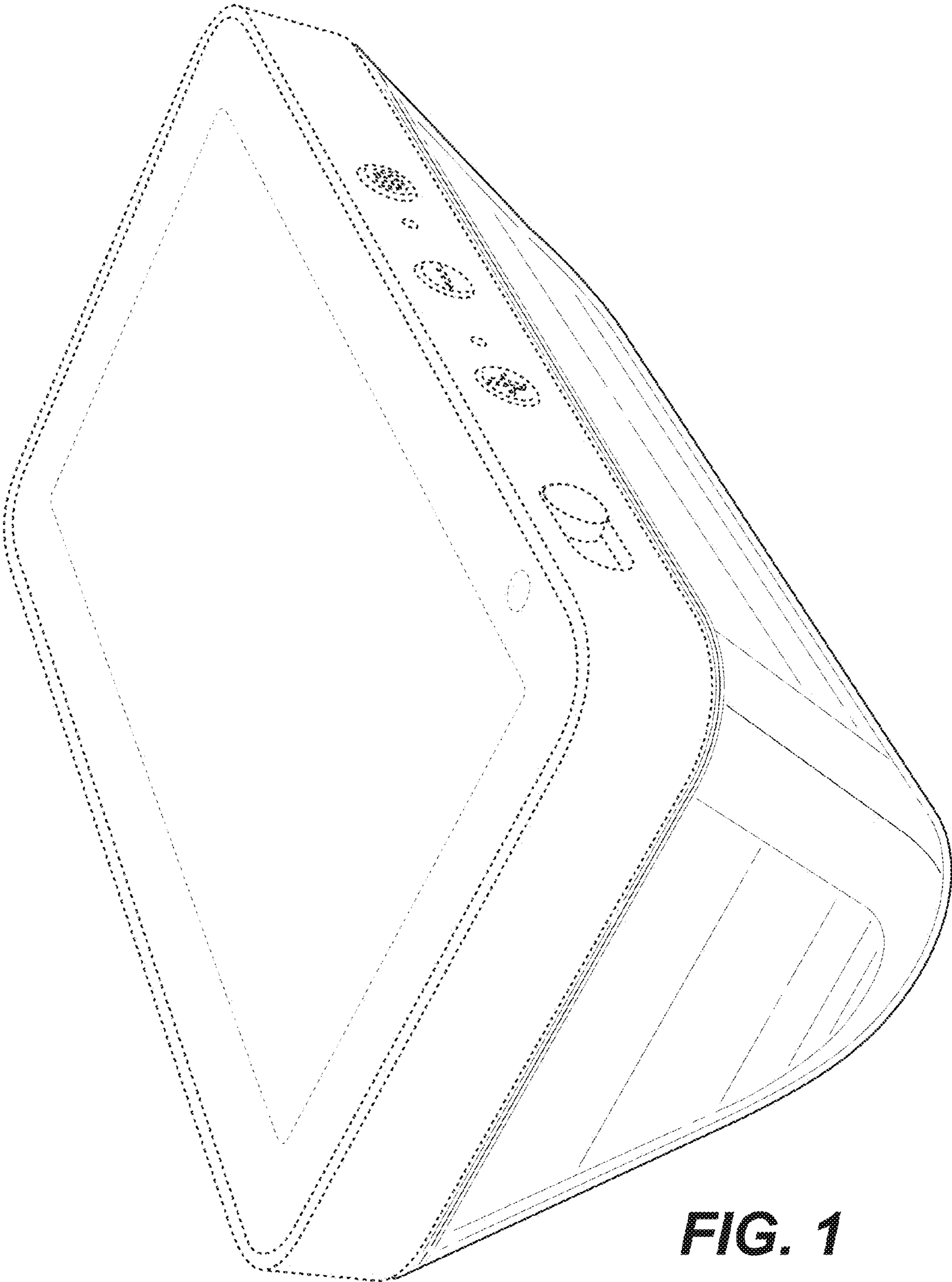


FIG. 1

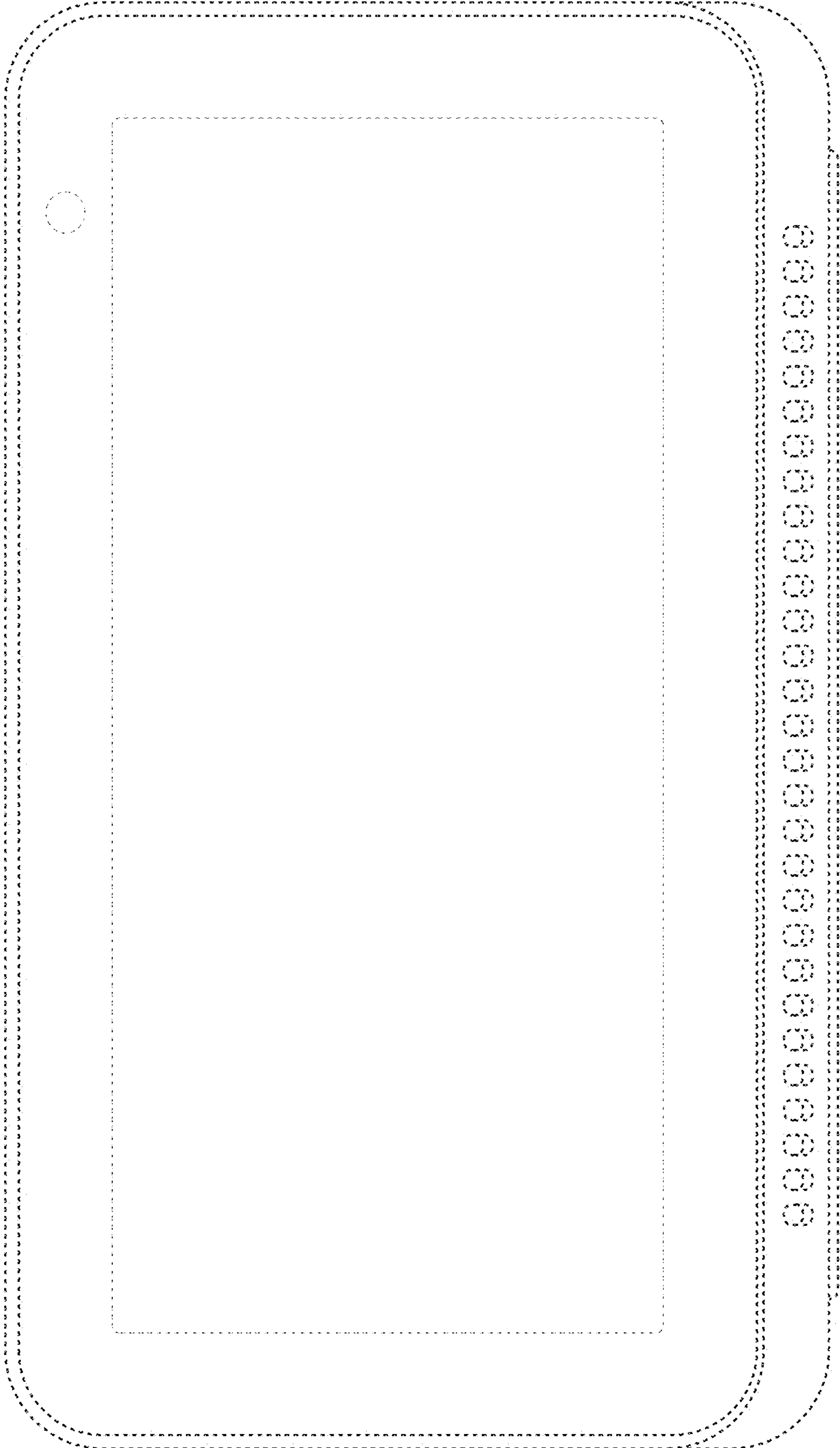


FIG. 2

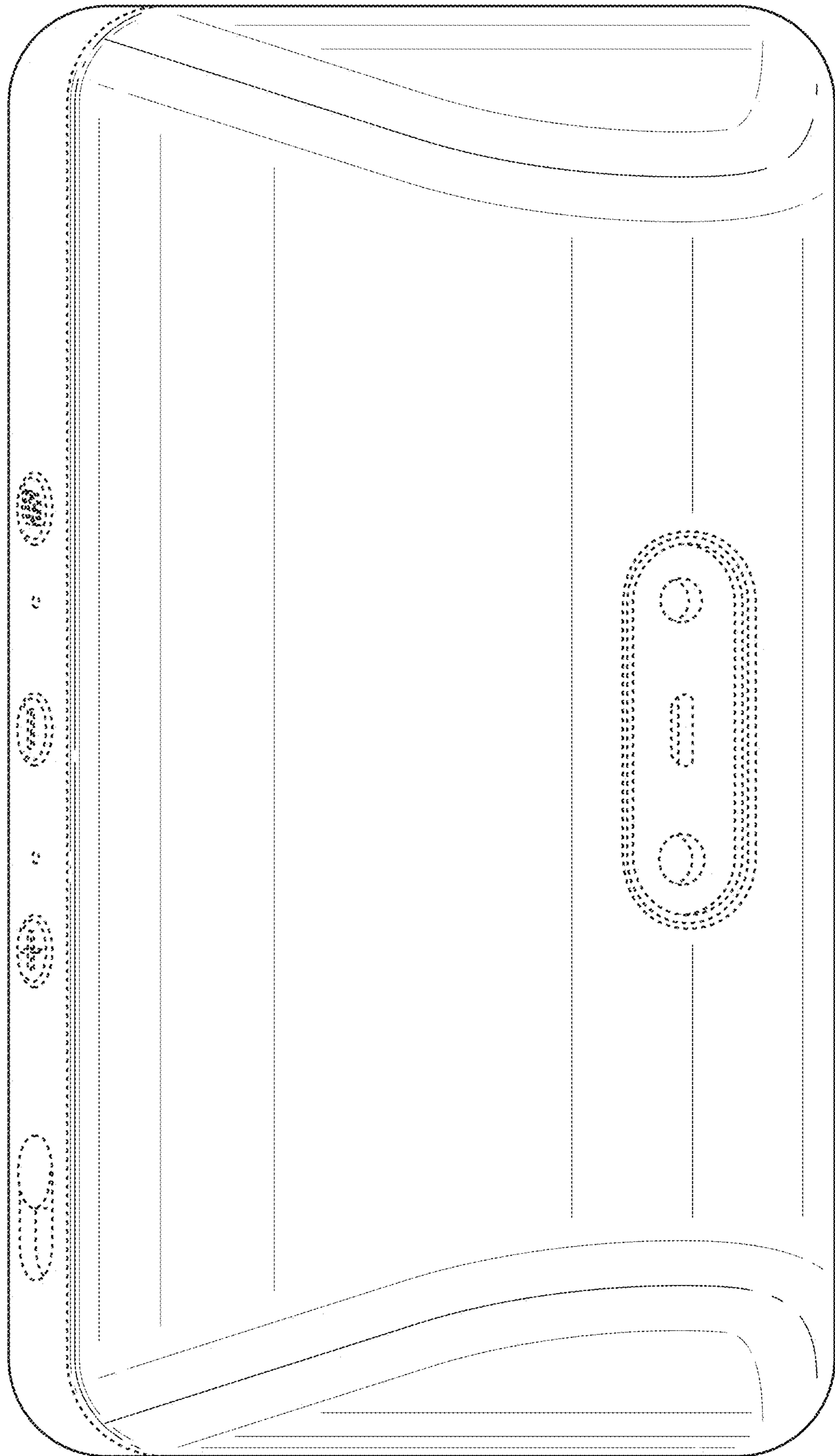


FIG. 3

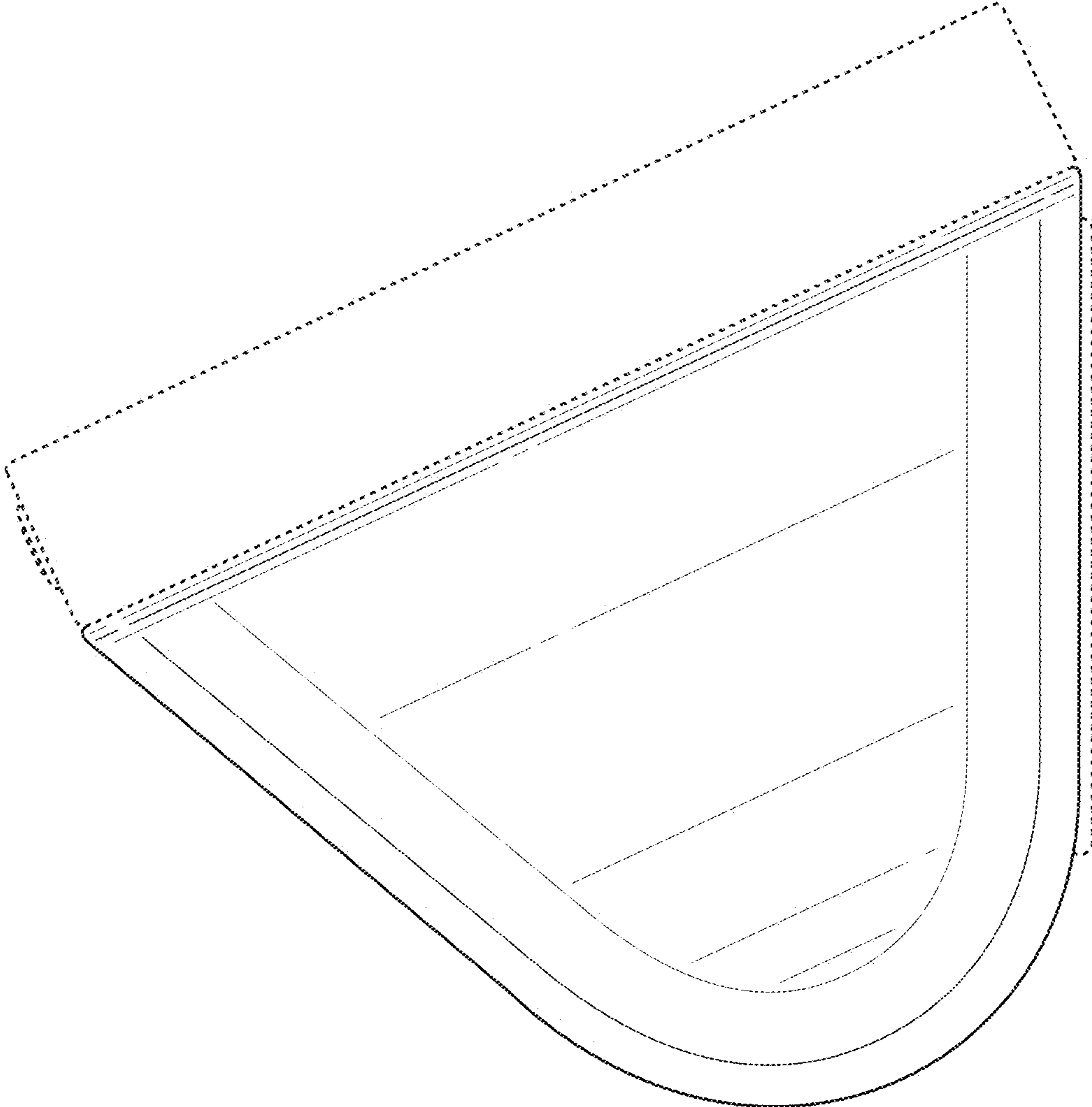


FIG. 4

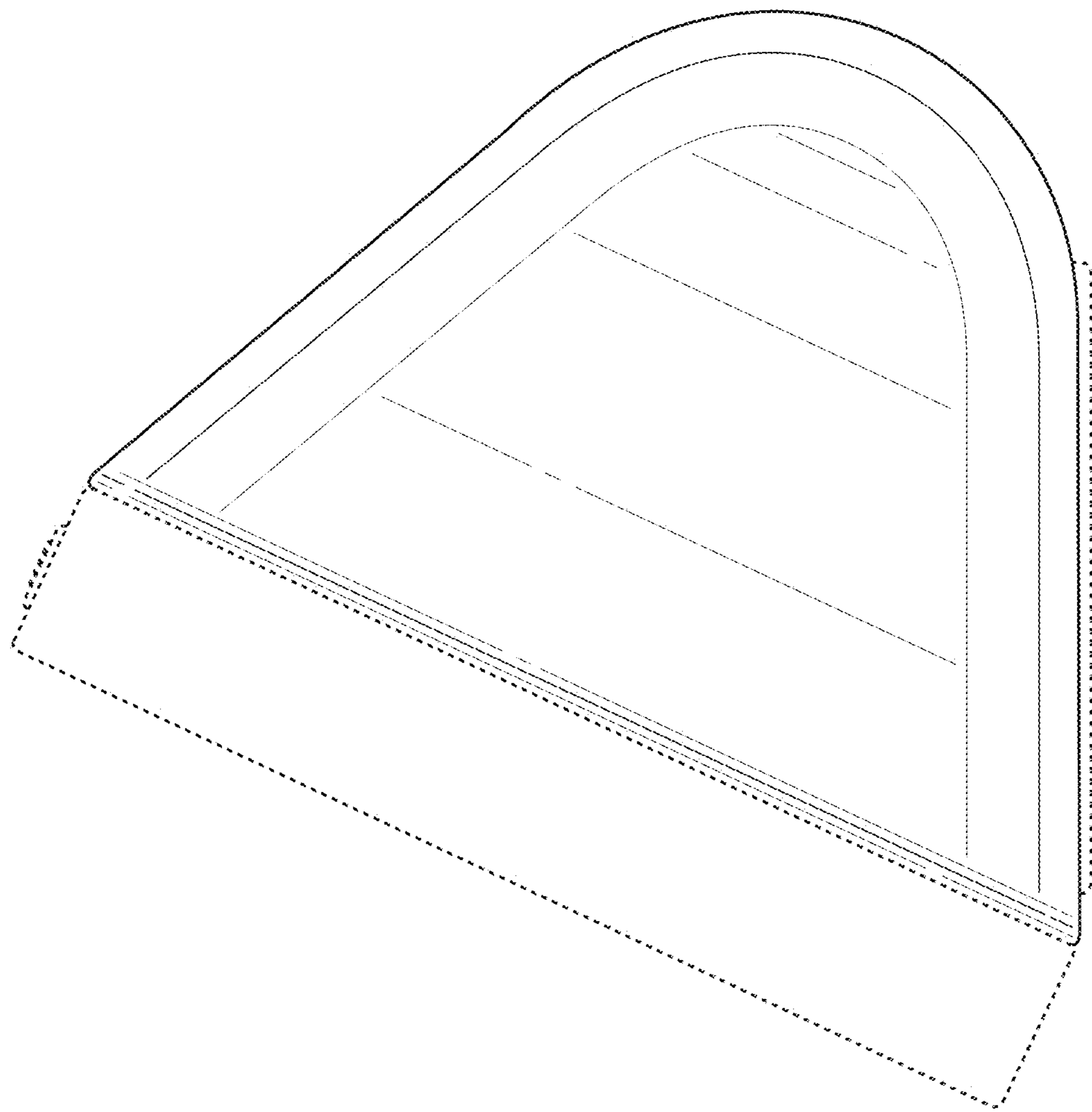


FIG. 5

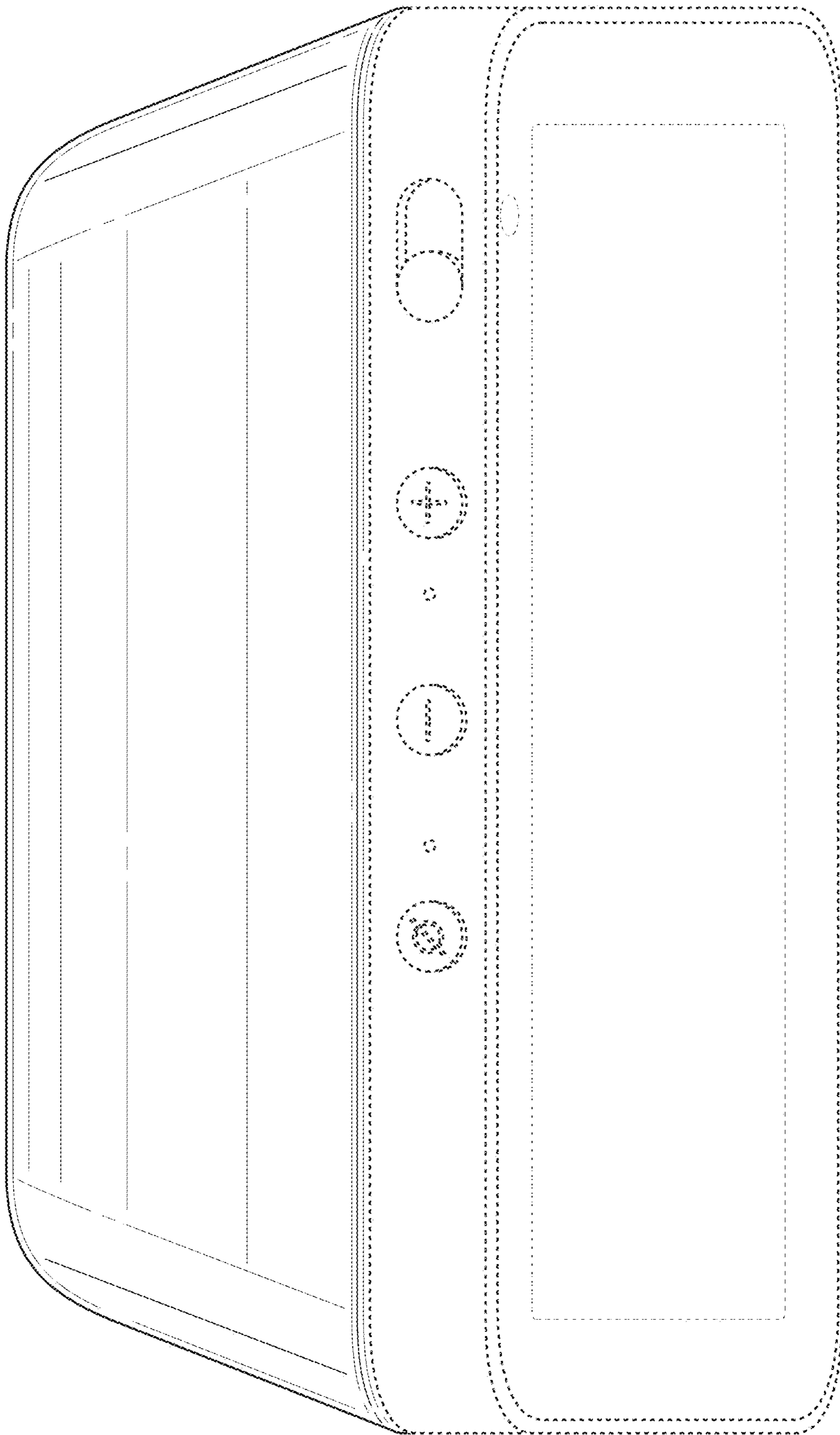


FIG. 6

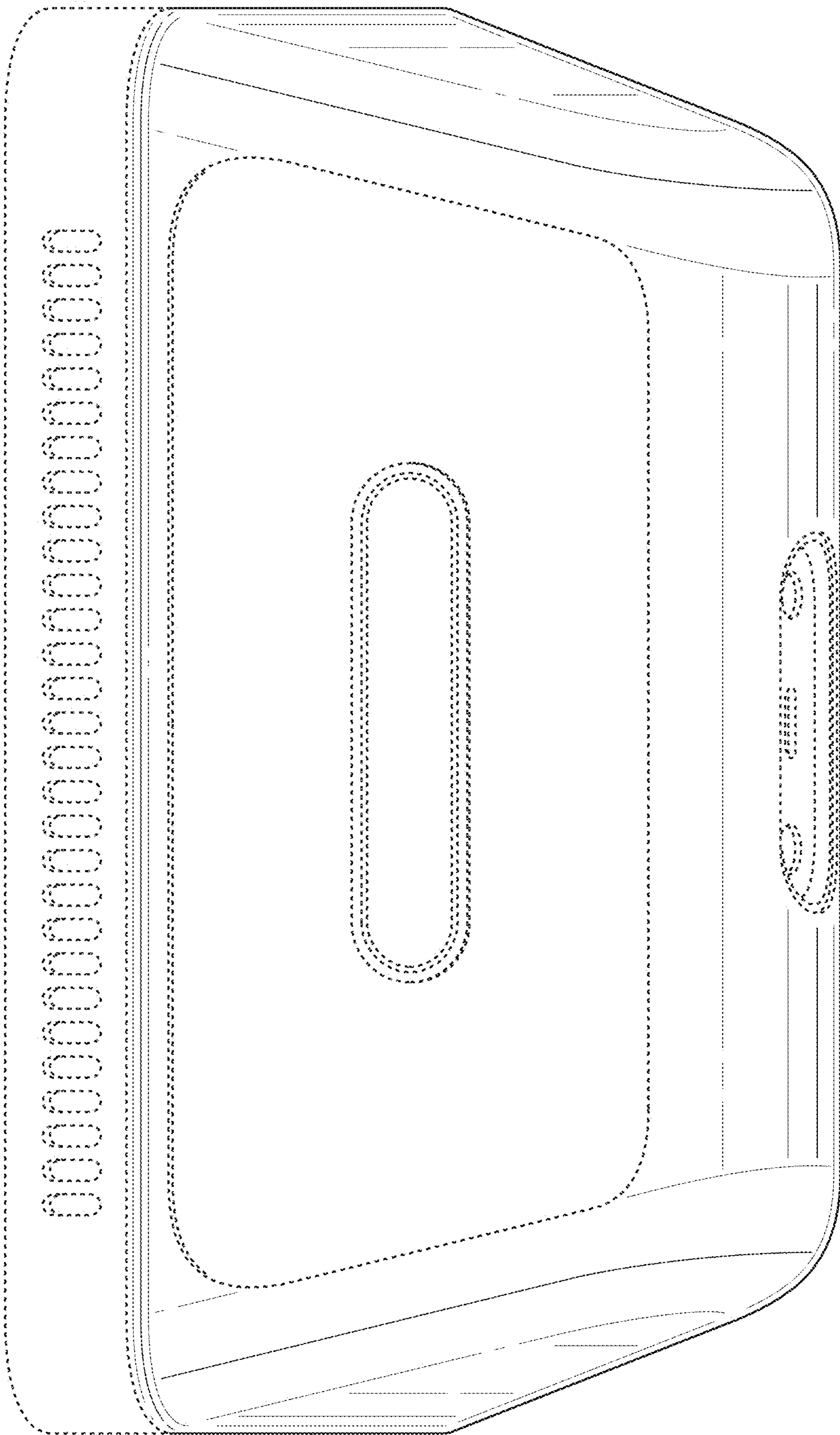


FIG. 7