



US00D984474S

(12) **United States Design Patent**
Zhang et al.

(10) **Patent No.:** **US D984,474 S**
(45) **Date of Patent:** **** Apr. 25, 2023**

(54) **DISPLAY SCREEN WITH ANIMATED GRAPHICAL USER INTERFACE**

(71) Applicant: **GUANGDONG OPPO MOBILE TELECOMMUNICATIONS CORP., LTD.**, Guangdong (CN)

(72) Inventors: **Minghua Zhang**, Guangdong (CN); **Ning Zuo**, Guangdong (CN); **Jie Zhao**, Guangdong (CN)

(73) Assignee: **GUANGDONG OPPO MOBILE TELECOMMUNICATIONS CORP., LTD.**, Dongguan (CN)

(**) Term: **15 Years**

(21) Appl. No.: **29/782,636**

(22) Filed: **May 7, 2021**

(30) **Foreign Application Priority Data**

Nov. 10, 2020 (CN) 202030678947.4

(51) **LOC (14) Cl.** **14-04**

(52) **U.S. Cl.**
USPC **D14/488**

(58) **Field of Classification Search**
USPC D14/485-495
CPC G11B 27/022; G11B 27/031; G11B 27/10
See application file for complete search history.

(56) **References Cited**

U.S. PATENT DOCUMENTS

D760,275 S *	6/2016	Zhang	D14/488
D761,285 S *	7/2016	Kim	D14/488
D795,899 S *	8/2017	Carrigan	D14/486
D837,230 S *	1/2019	Johnston	D14/485
D845,984 S *	4/2019	Malahy	D14/486
D929,434 S *	8/2021	Gouliard	D14/491
D937,868 S *	12/2021	Solomon	D14/488

D946,008 S *	3/2022	Norman	D14/485
D946,020 S *	3/2022	Nuttbrown	D14/491
D946,036 S *	3/2022	Trenkner	D14/491
D956,061 S *	6/2022	Chaudhri	D14/485
11,361,421 B1 *	6/2022	Ulammandakh	G06N 3/045
D958,808 S *	7/2022	Lee	D14/485
D958,809 S *	7/2022	Lee	D14/485
D959,458 S *	8/2022	Tertzakian	D14/485
D959,465 S *	8/2022	Hsu	D14/488
D960,170 S *	8/2022	Evans	D14/485
D963,664 S *	9/2022	Laor	D14/485
D963,668 S *	9/2022	Meaney	D14/485

(Continued)

OTHER PUBLICATIONS

Magic Leap photo album application interface; Magic Leap One; 5 pages; with English Translation.

Primary Examiner — Bao-Yen T Nguyen

(74) *Attorney, Agent, or Firm* — Young Basile Hanlon & MacFarlane, P.C.

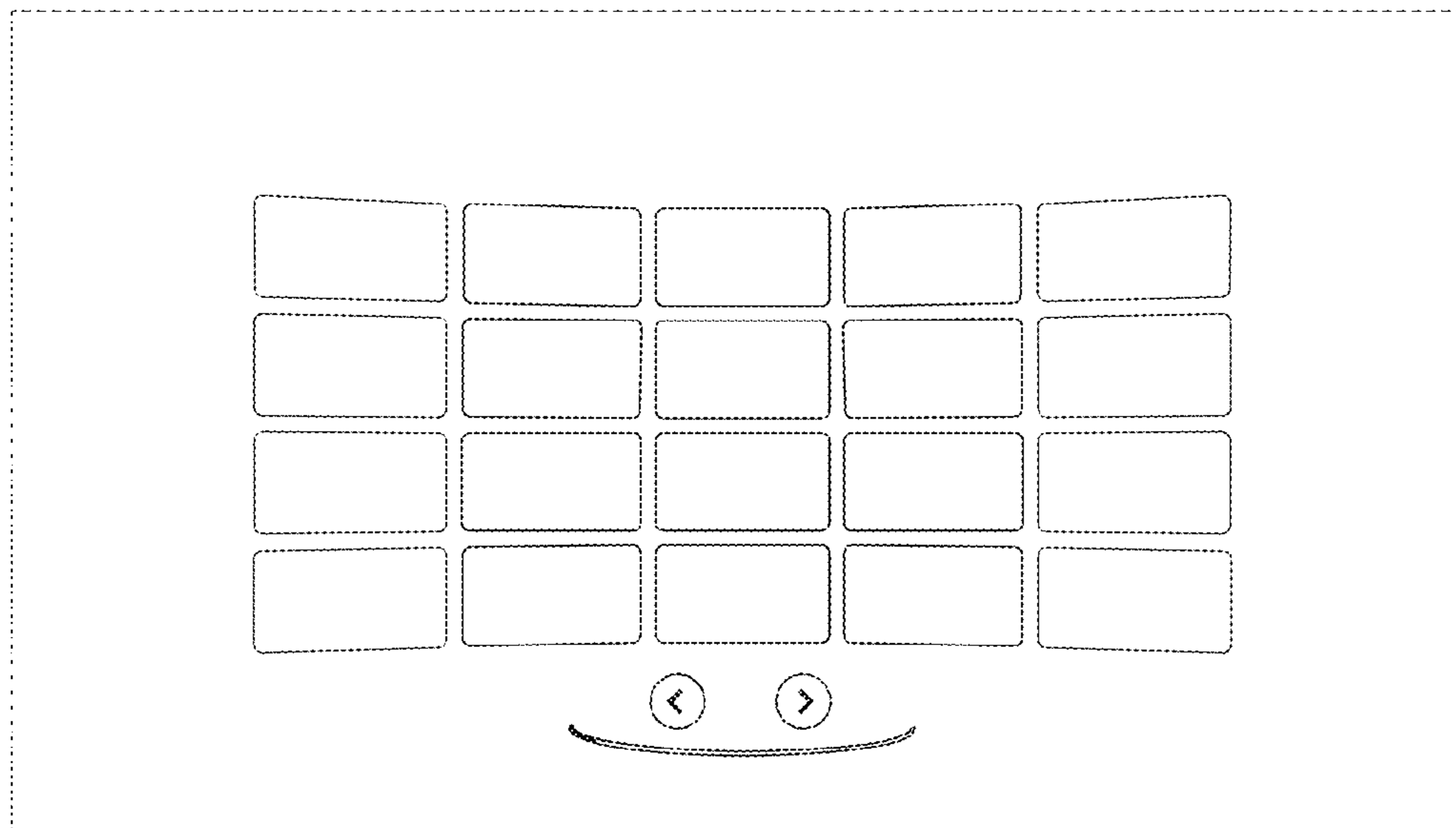
(57) **CLAIM**

The ornamental design for a display screen with animated graphical user interface, as shown and described.

DESCRIPTION

FIG. 1 is a front view of a first image of a display screen with animated graphical user interface;
FIG. 2 is a front view of a second image thereof;
FIG. 3 is a front view of a third image thereof;
FIG. 4 is a front view of a fourth image thereof; and,
FIG. 5 is a front view of a fifth image thereof.
The broken lines in the figures show a display screen or portion thereof, and form no part of the claimed design.
The appearance of the animated image sequentially transitions between the images shown in FIGS. 1-5 respectively.
The process or period in which one image transitions to another forms no part of the claimed design.

1 Claim, 3 Drawing Sheets



(56)

References Cited

U.S. PATENT DOCUMENTS

D963,672 S * 9/2022 Jiang D14/485
D964,378 S * 9/2022 Meaney D14/485

* cited by examiner

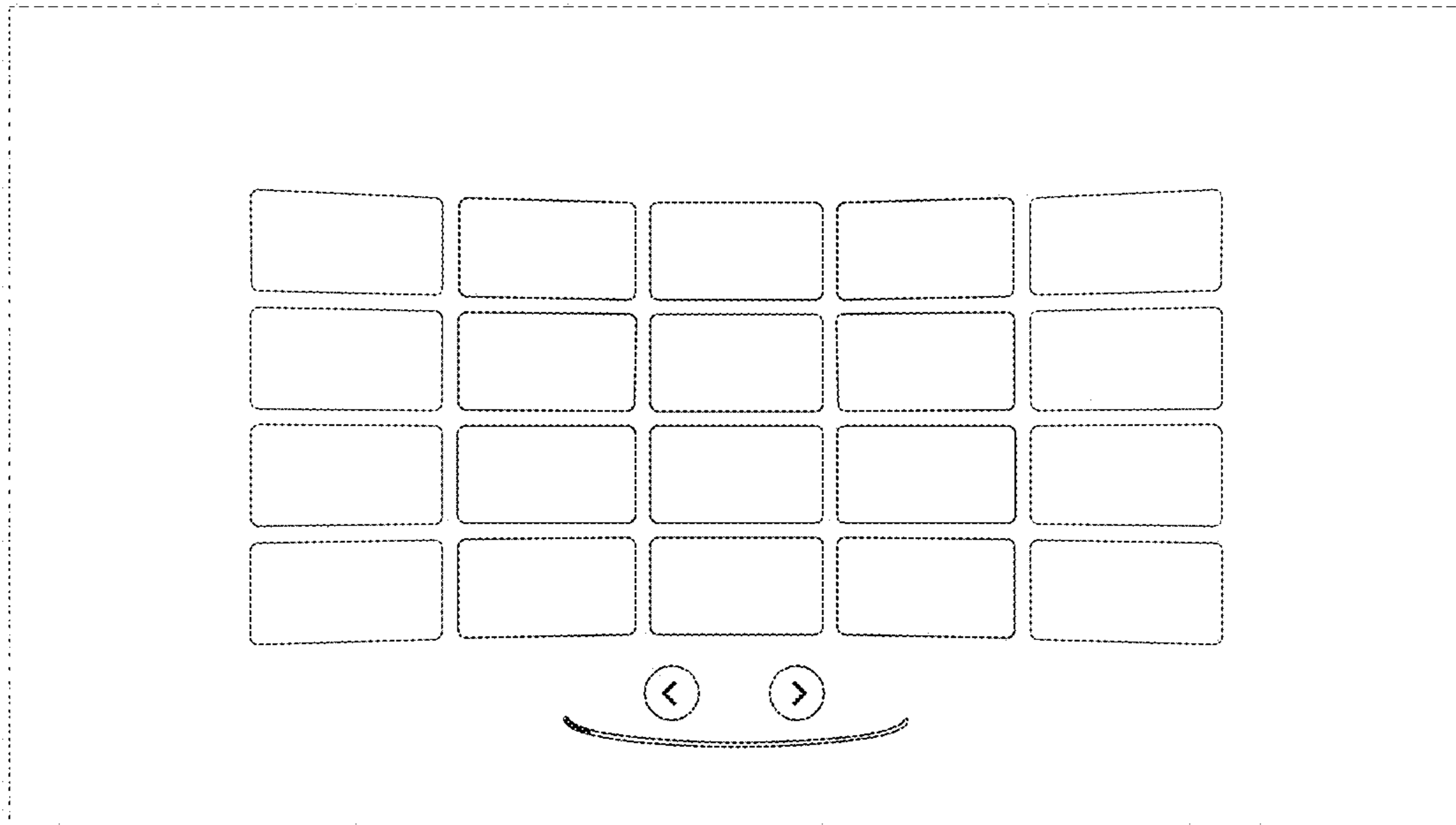


FIG. 1

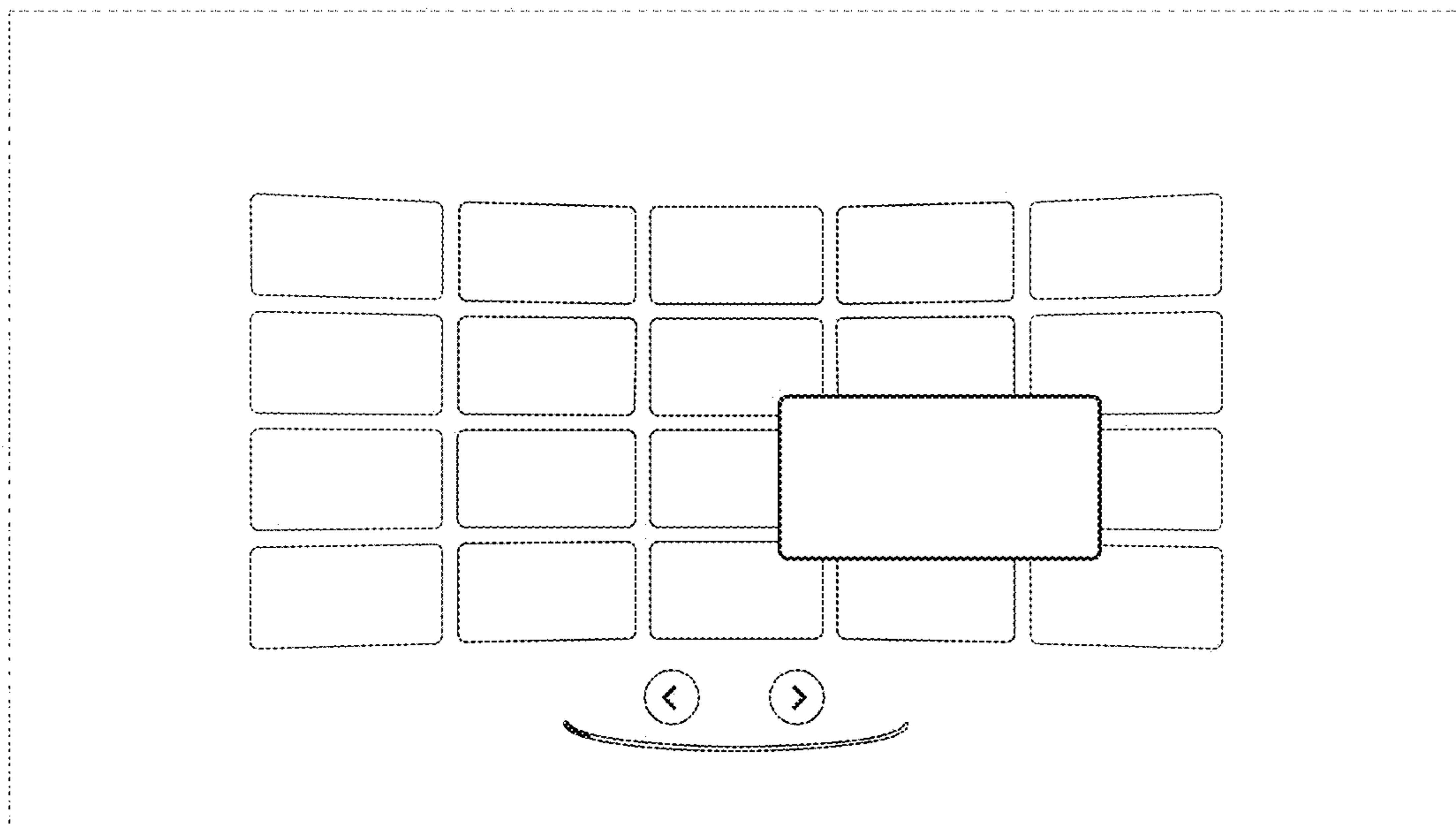


FIG. 2

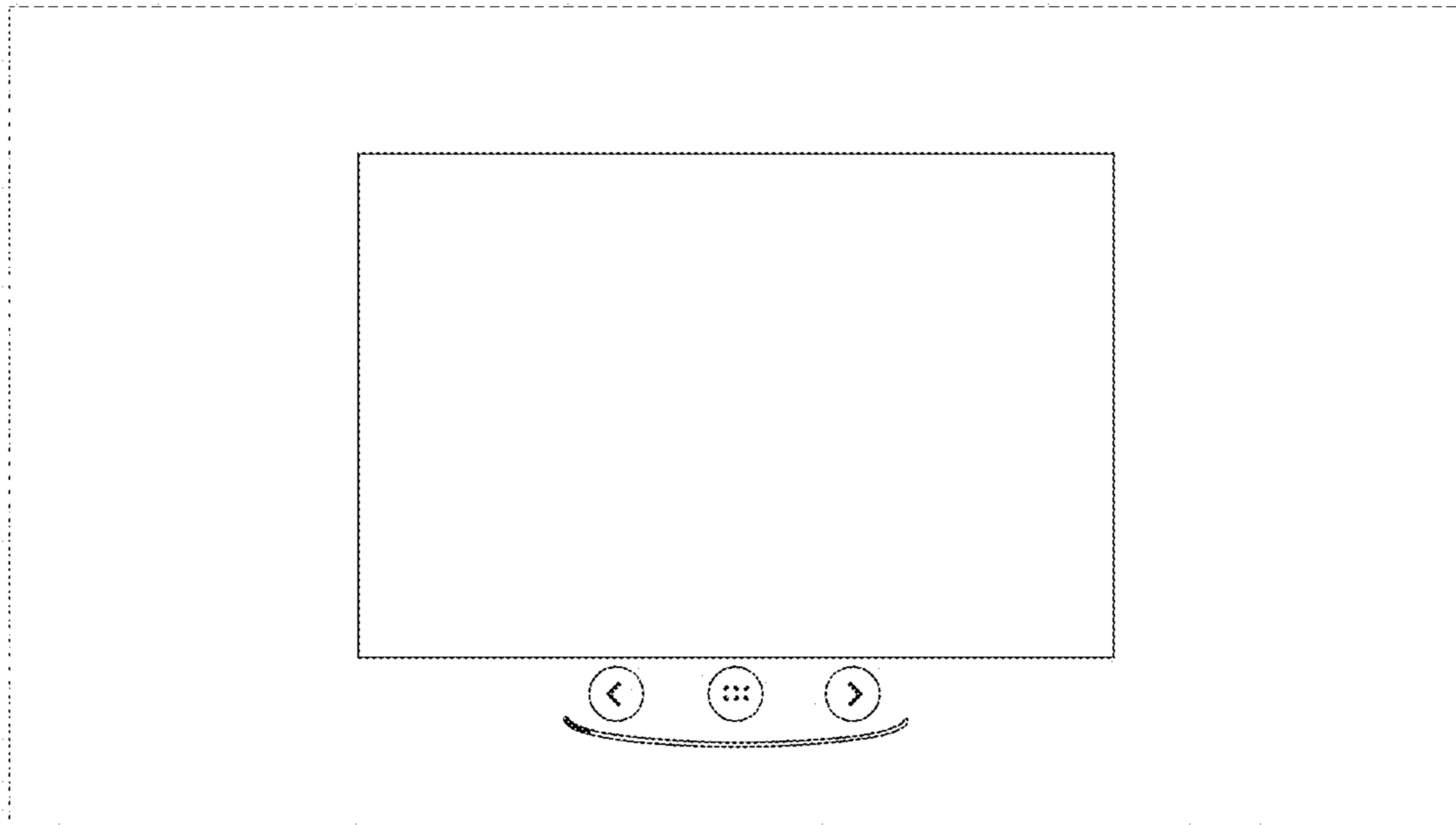


FIG. 3

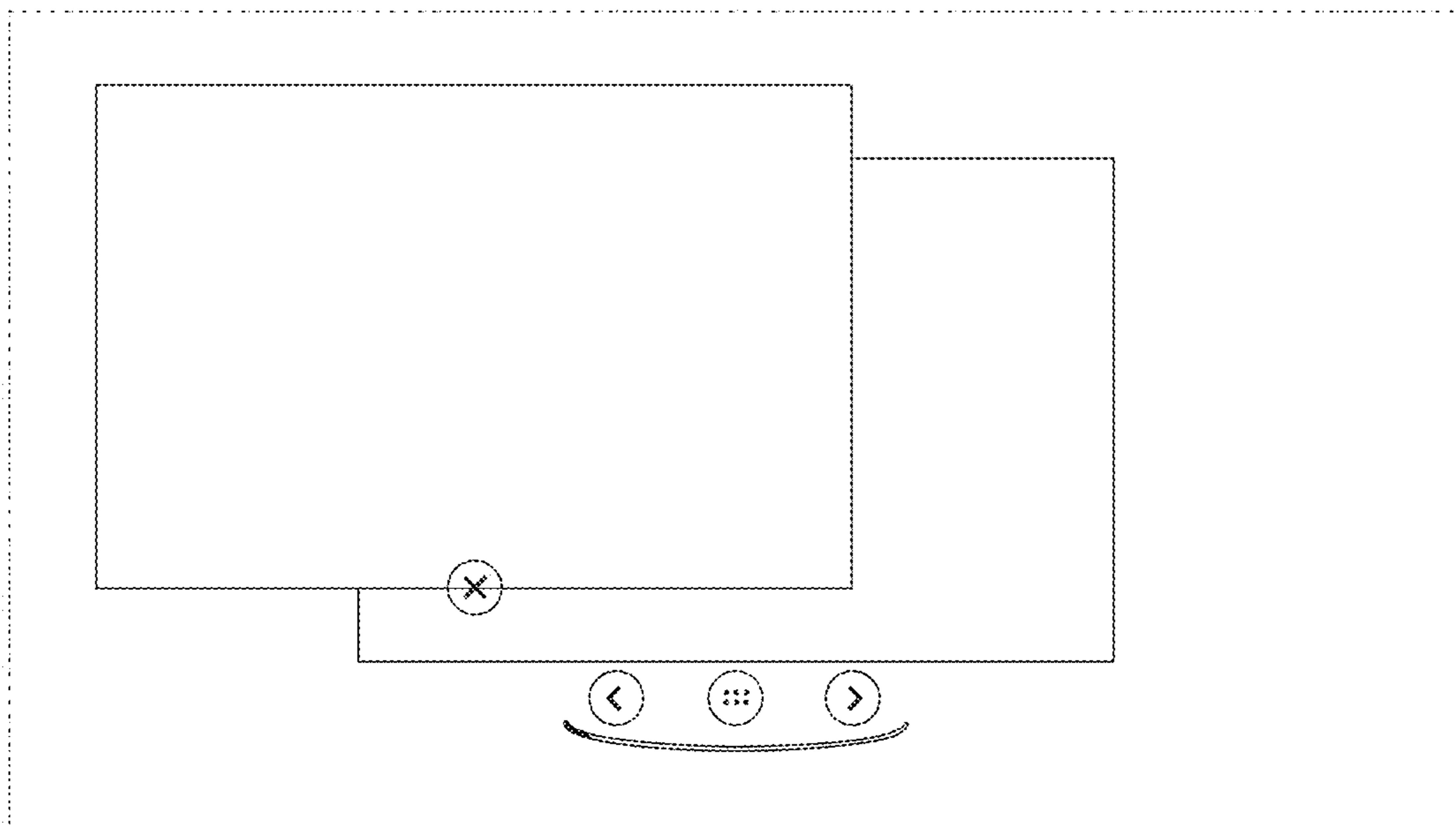


FIG. 4

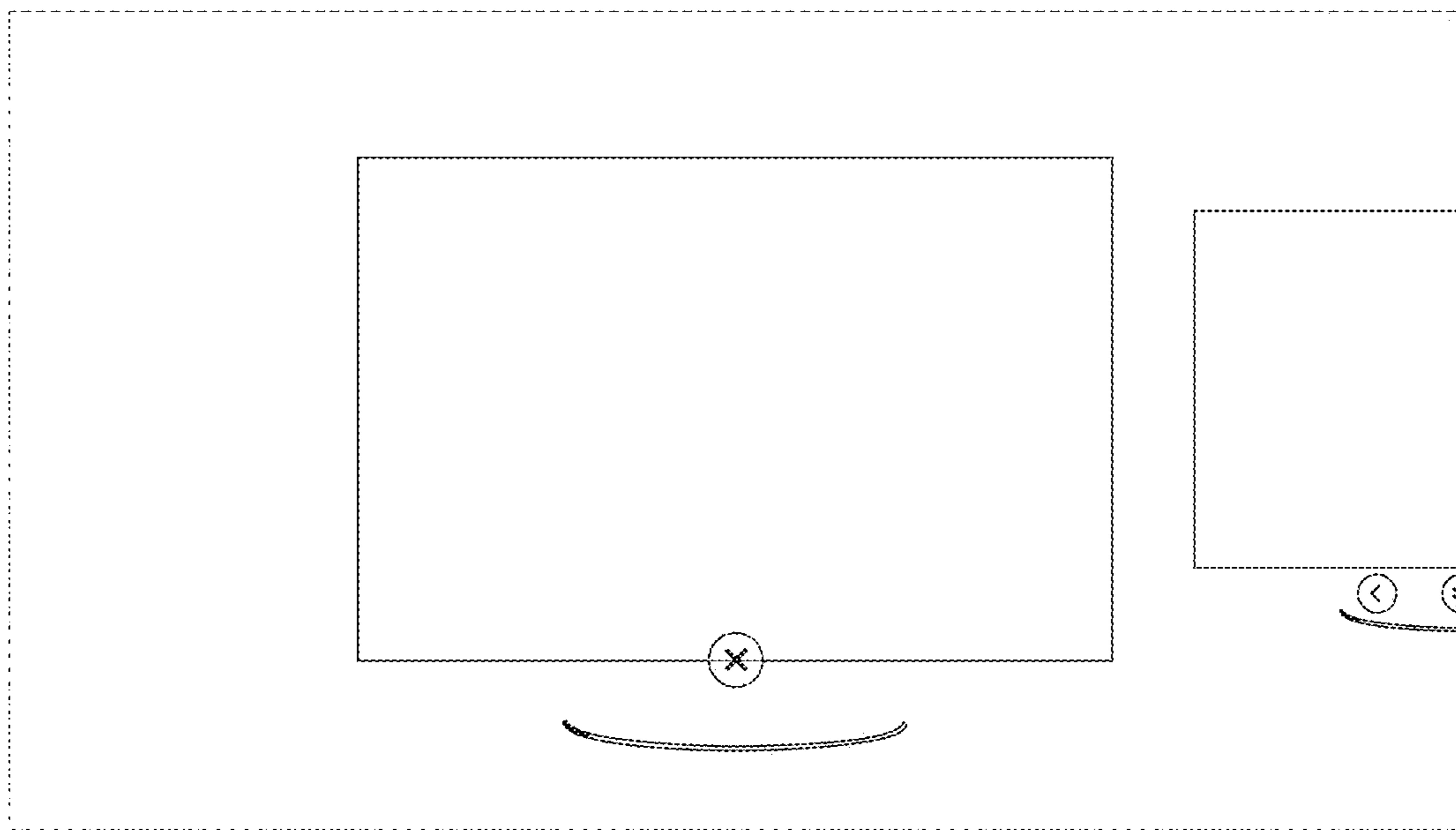


FIG. 5