



US00D984456S

(12) **United States Design Patent** (10) **Patent No.:** **US D984,456 S**  
**Lau** (45) **Date of Patent:** **\*\* Apr. 25, 2023**

(54) **DESKTOP RISER**

(71) Applicant: **COLEBROOK BOSSON & SAUNDERS (PRODUCTS) LIMITED**, London (GB)

(72) Inventor: **Alex Lau**, London (GB)

(73) Assignee: **COLEBROOK BOSSON & SAUNDERS (PRODUCTS) LIMITED**, London (GB)

(\*\*) Term: **15 Years**

(21) Appl. No.: **29/793,021**

(22) Filed: **Sep. 22, 2021**

**Related U.S. Application Data**

(62) Division of application No. 29/712,185, filed on Nov. 6, 2019, now Pat. No. Des. 934,875.

(51) **LOC (14) Cl.** ..... **14-02**

(52) **U.S. Cl.**  
USPC ..... **D14/451**

(58) **Field of Classification Search**

USPC ..... D14/224, 239, 251, 253, 316, 375, 376, D14/432, 439, 447, 451, 452, 457; D6/396, 444, 449, 510, 511, 513, 655, D6/675, 675.1, 691.9; D34/38; D8/349, D8/355, 363, 373, 380; 108/51.3; 248/121, 124.1, 127, 201, 205.1, 313, 248/415, 917-24; 312/223.3; 211/134, 211/151; D19/87  
CPC ..... G06F 3/0412; G06F 3/016; G06F 3/0488; G06F 3/011; G06F 3/038; G06F 3/03543; G06F 3/0338; G06F 3/0202; G06F 3/0219; G06F 3/0213; G06F 1/1616; G06F 3/023; G06F 3/04883; G02F 1/13338; G09G 3/3648

See application file for complete search history.

(56) **References Cited**

**U.S. PATENT DOCUMENTS**

D233,392 S 10/1974 Hutchinson  
D259,428 S \* 6/1981 Macowski ..... D19/92  
D270,588 S \* 9/1983 Kemple ..... D6/406.1  
D275,771 S \* 10/1984 Evans ..... D18/49

(Continued)

*Primary Examiner* — Katie Jane Stofko

(74) *Attorney, Agent, or Firm* — Michael Best & Friedrich LLP

(57) **CLAIM**

The ornamental design for a desktop riser, as shown and described.

**DESCRIPTION**

FIG. 1 is a top, front, and right side perspective view of a desktop riser shown in an open position;

FIG. 2 is a bottom, rear, and right side perspective view of FIG. 1;

FIG. 3 is a top plan view of FIG. 1;

FIG. 4 is a bottom plan view of FIG. 1;

FIG. 5 is a left-side elevation view of FIG. 1;

FIG. 6 is a right-side elevation view of FIG. 1;

FIG. 7 is a front view elevation of FIG. 1;

FIG. 8 is a rear elevation view of FIG. 1;

FIG. 9 is a top, front, and right side perspective view of the desktop riser of FIG. 1 shown in a closed position;

FIG. 10 is a bottom, rear, and right side perspective view of FIG. 9;

FIG. 11 is a top plan view of FIG. 9;

FIG. 12 is a bottom plan view of FIG. 9;

FIG. 13 is a left-side elevation view of FIG. 9;

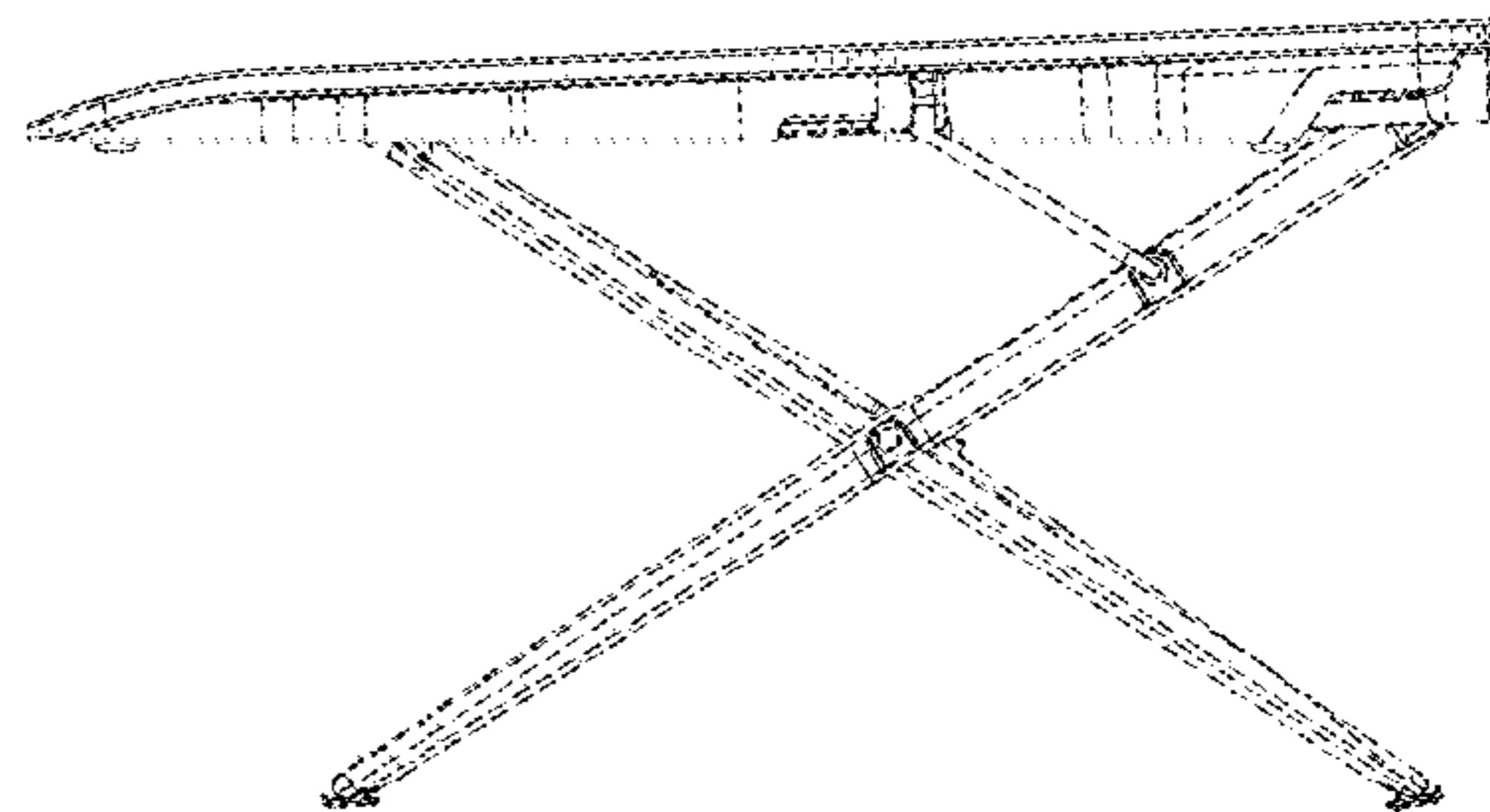
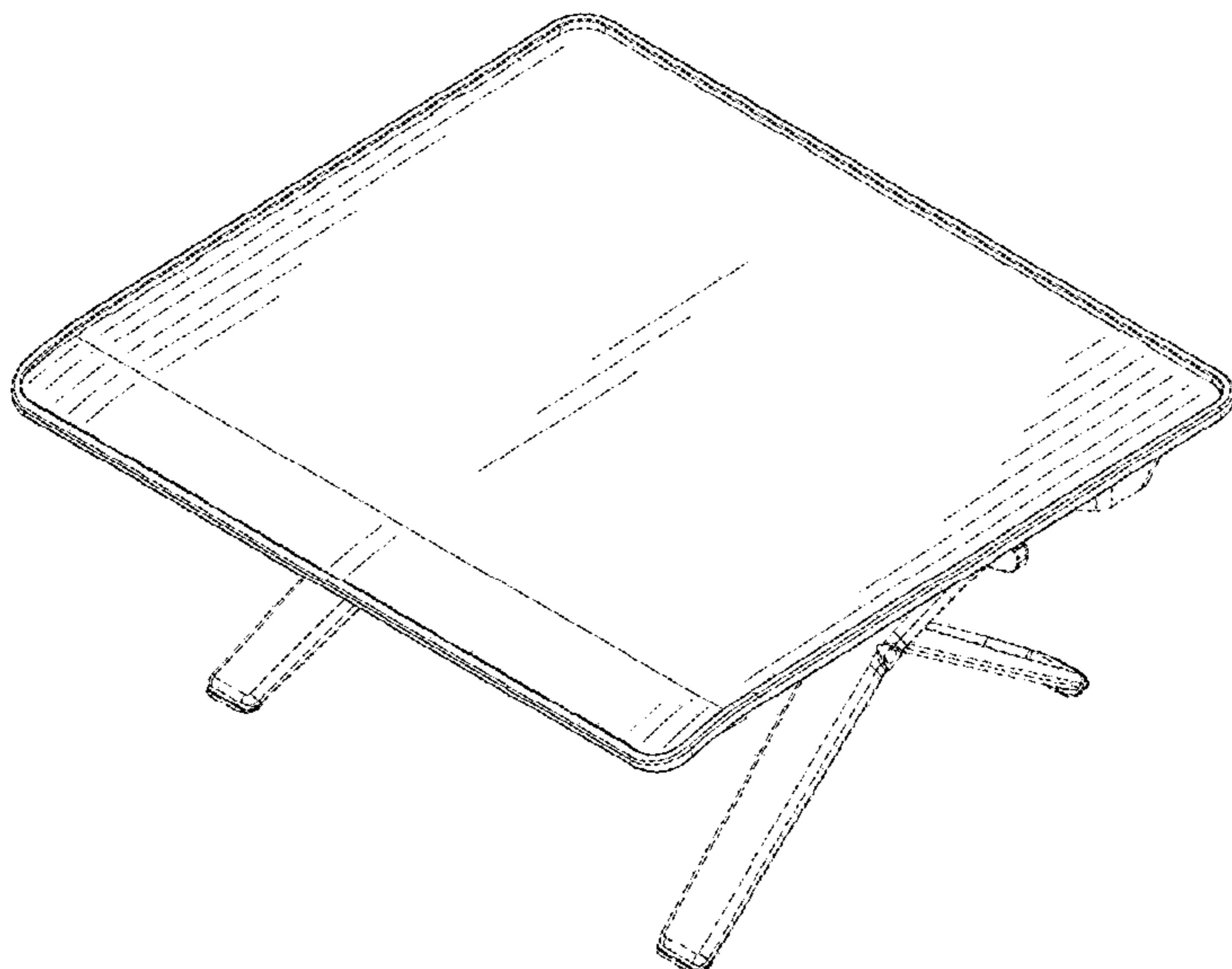
FIG. 14 is a right-side elevation view of FIG. 9;

FIG. 15 is a front elevation view of FIG. 9; and,

FIG. 16 is a rear elevation view of FIG. 9.

The broken lines shown on the drawings depict portions of the desktop riser that form no part of the claimed design.

**1 Claim, 12 Drawing Sheets**



(56)

References Cited

U.S. PATENT DOCUMENTS

4,715,573 A \* 12/1987 Liegel ..... A47B 23/046  
248/129  
D302,703 S \* 8/1989 Foran ..... D19/86  
D338,685 S \* 8/1993 Dakich ..... D32/74  
5,862,933 A \* 1/1999 Neville ..... B60N 3/002  
220/17.1  
D422,389 S \* 4/2000 Gay ..... D7/550.1  
D426,989 S 6/2000 Pagnon et al.  
6,688,634 B2 \* 2/2004 Noffsinger ..... B62B 3/02  
280/47.35  
  
D501,339 S 2/2005 Lai  
D557,521 S 12/2007 Good  
D569,132 S 5/2008 Sexton  
D592,892 S 5/2009 Sexton  
D642,174 S 7/2011 Hirota  
D671,339 S 11/2012 Nakamura  
D679,331 S \* 4/2013 Stravitz ..... D19/92  
D873,586 S 1/2020 Chang  
D882,313 S 4/2020 Page  
D882,988 S 5/2020 Hu  
D889,169 S 7/2020 Hu  
D932,796 S \* 10/2021 Sullins ..... D6/406.3  
D934,875 S \* 11/2021 Lau ..... D14/451  
D948,887 S \* 4/2022 Rawl ..... D6/406.1  
2018/0206630 A1 7/2018 Chang

\* cited by examiner

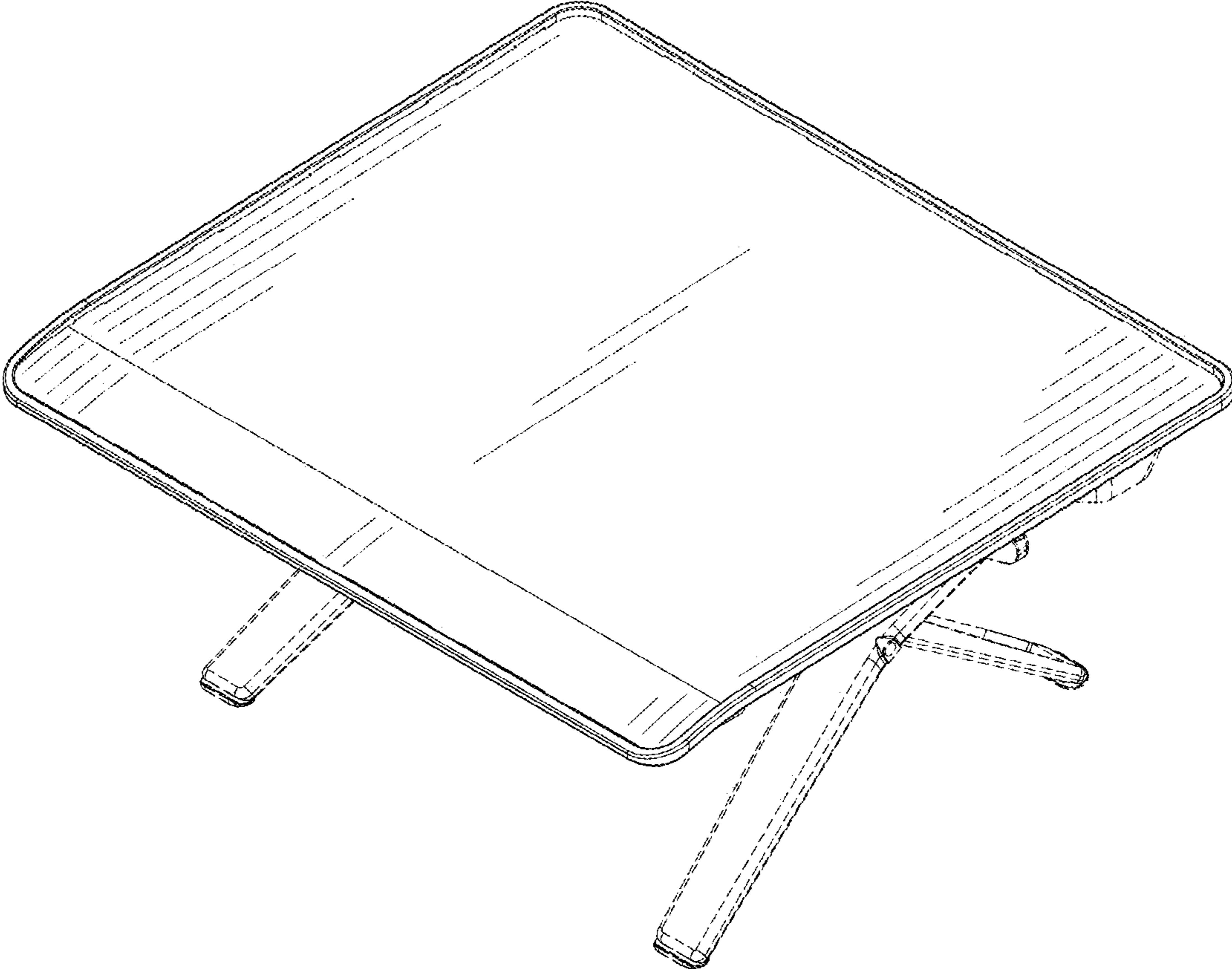


FIG. 1

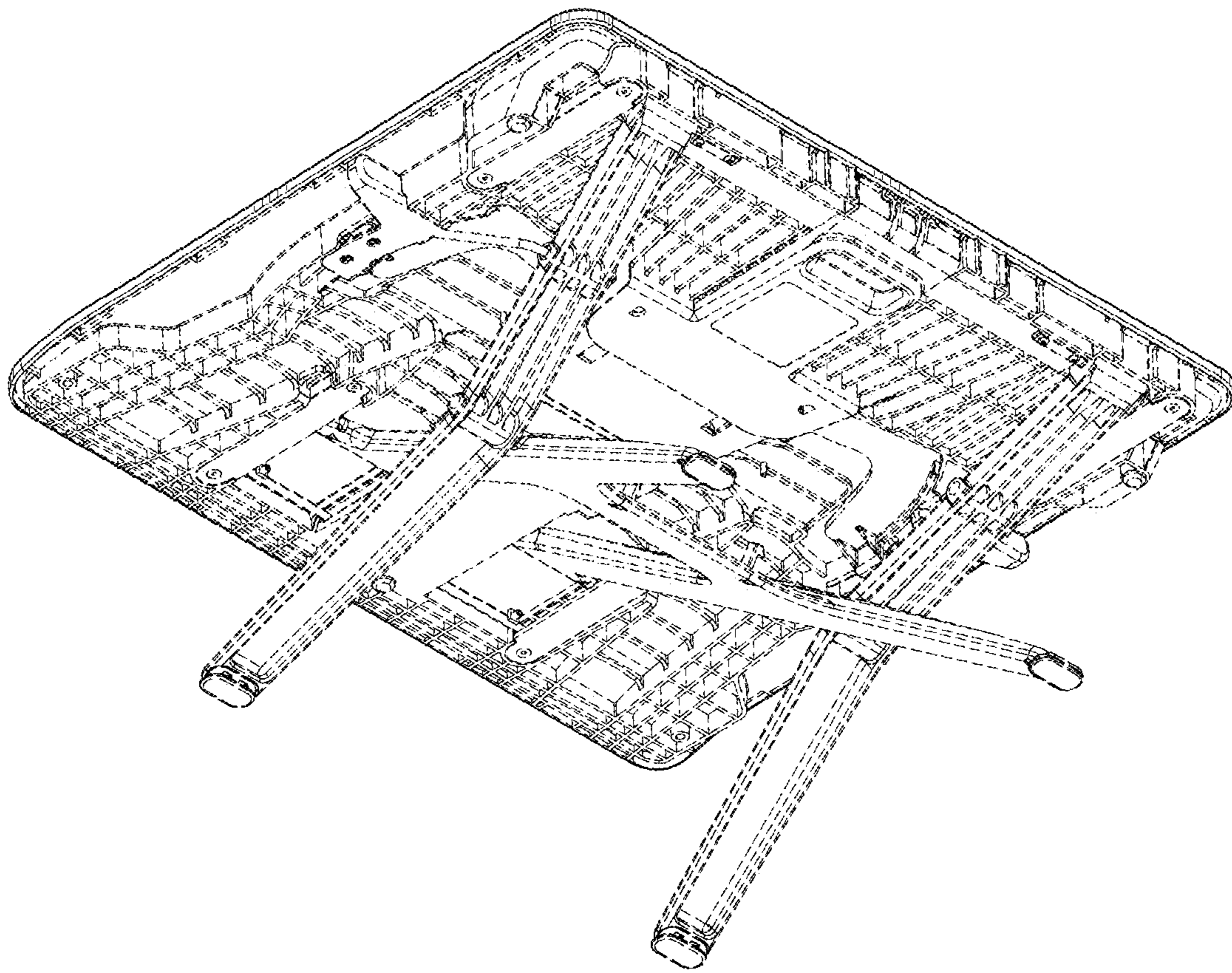


FIG. 2

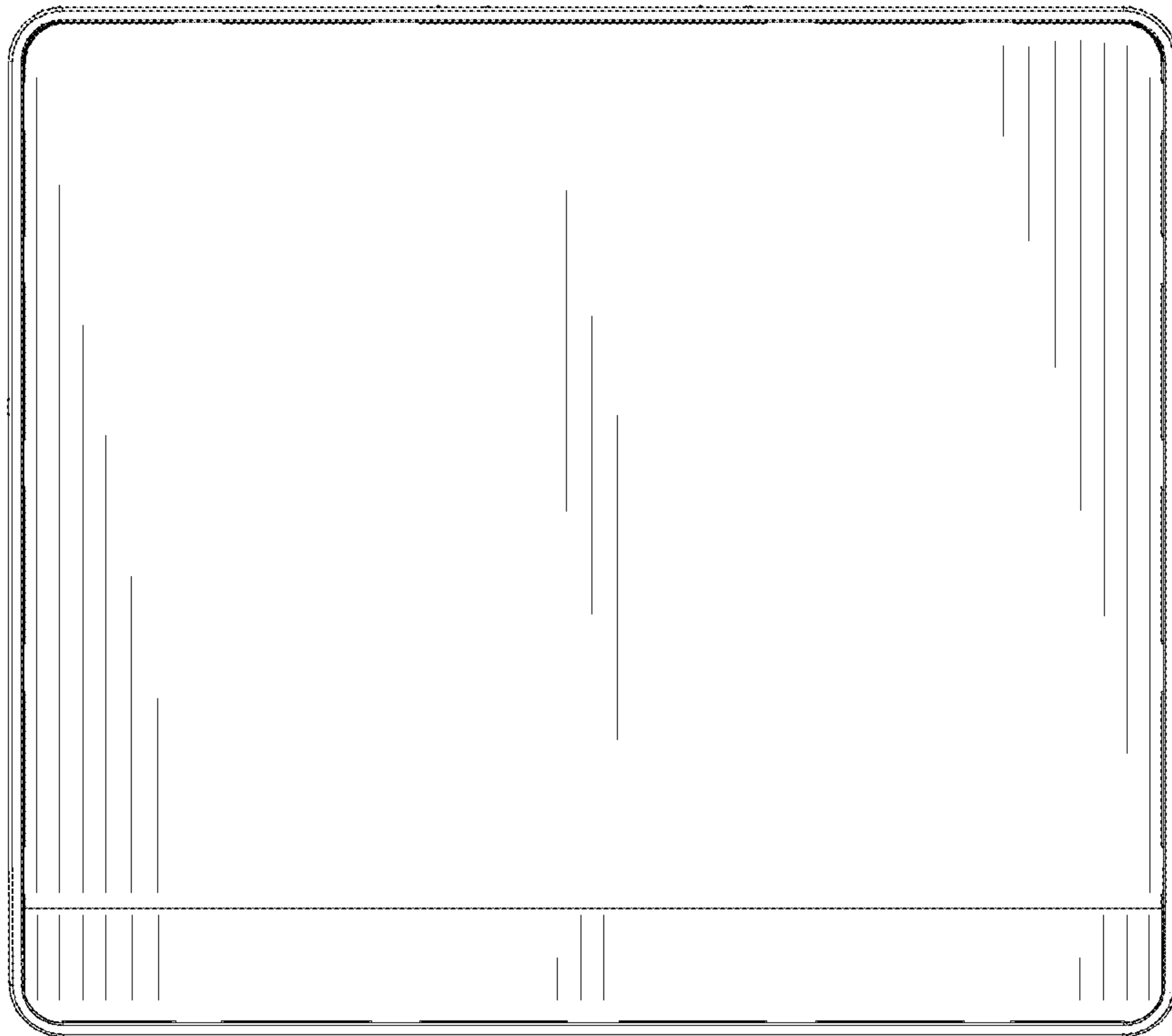


FIG. 3

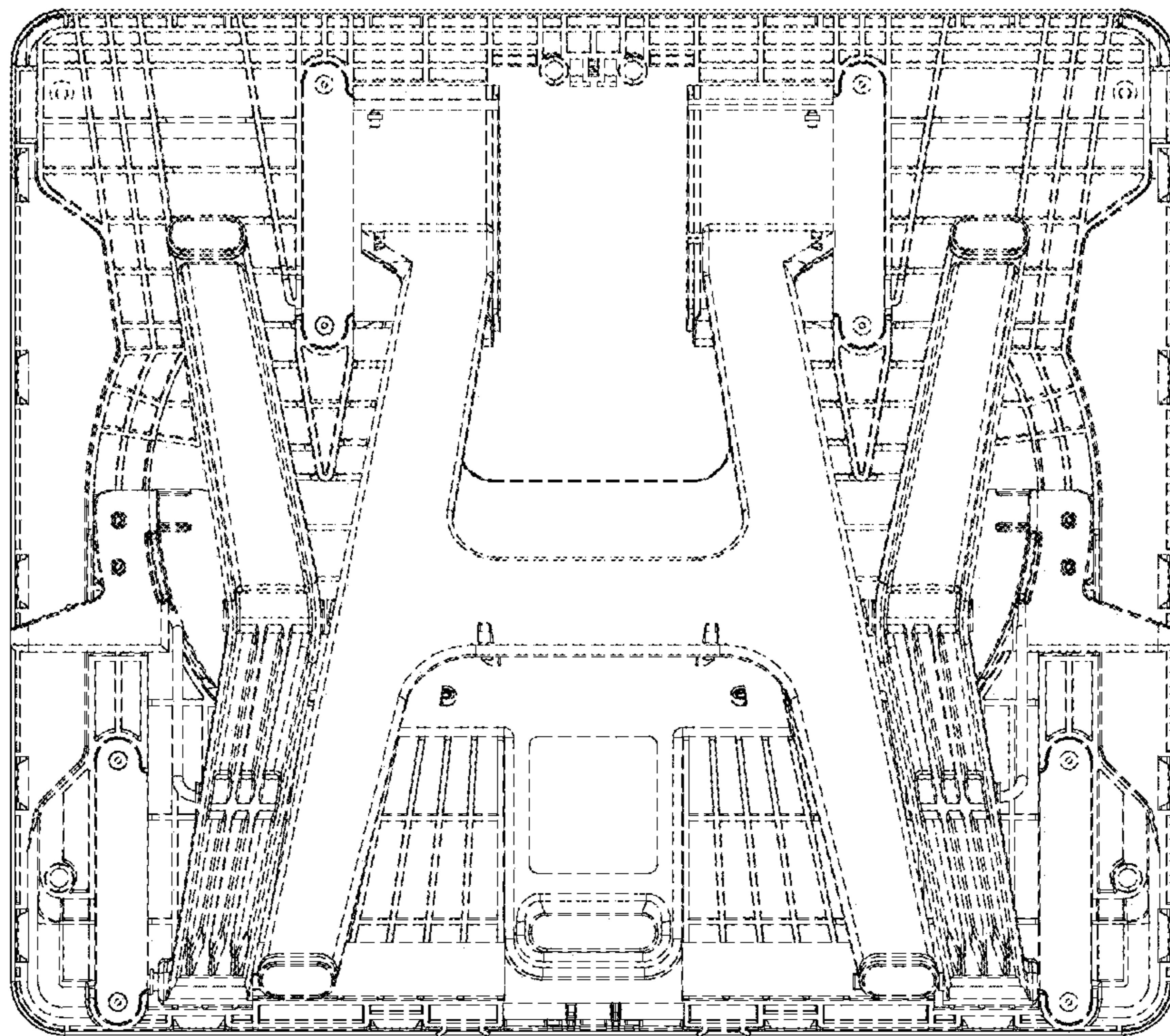


FIG. 4

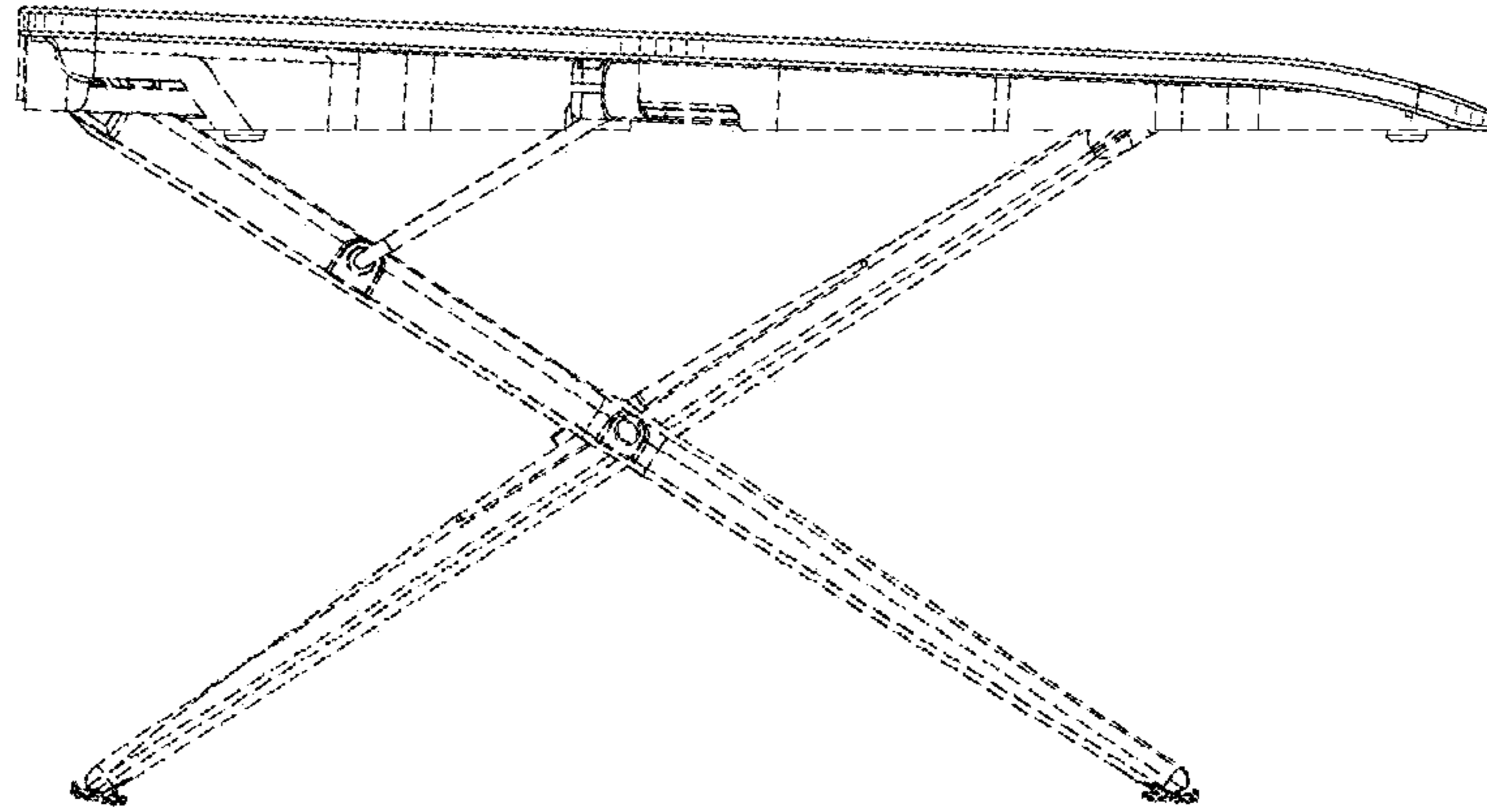


FIG. 5

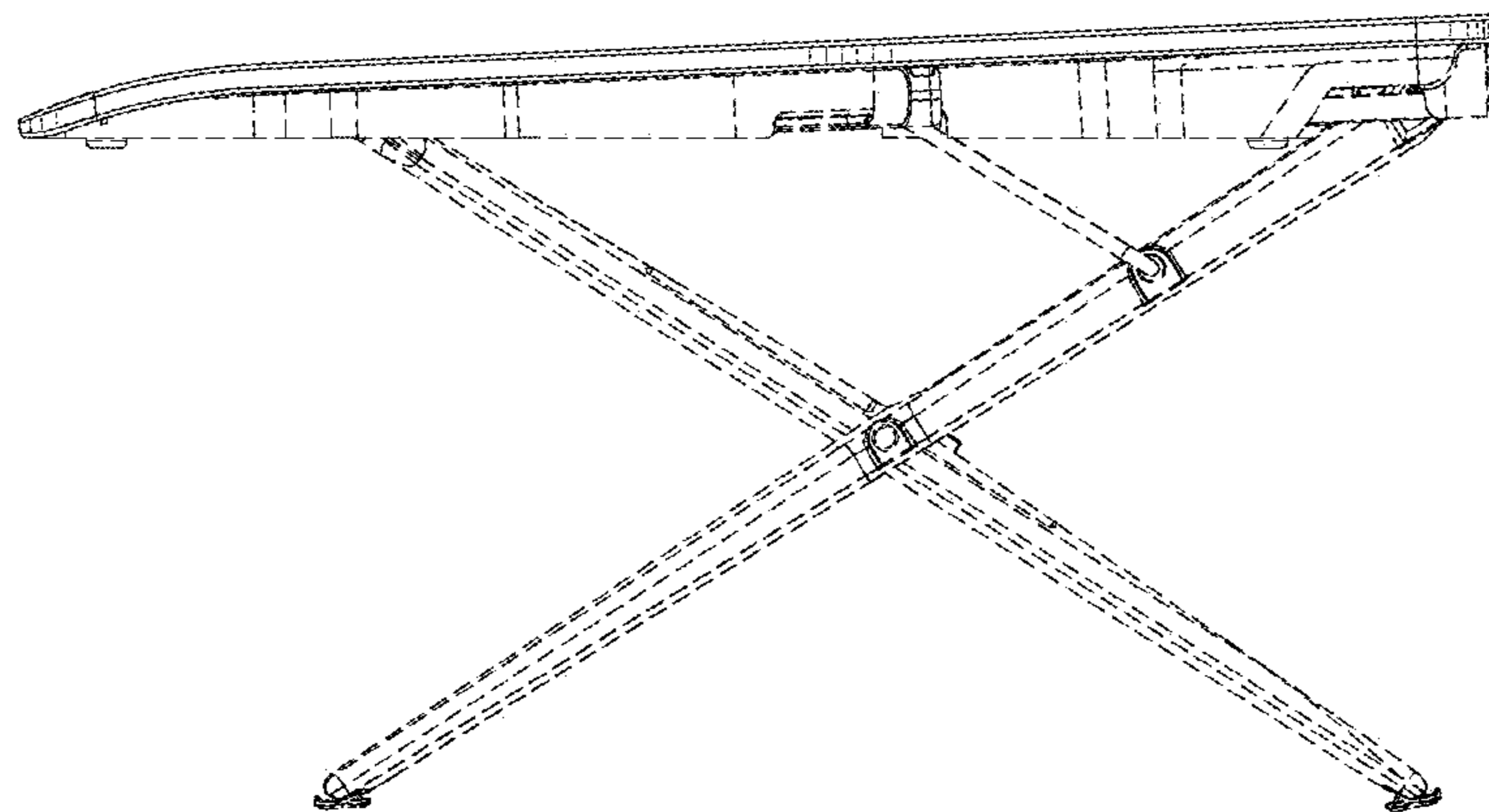


FIG. 6

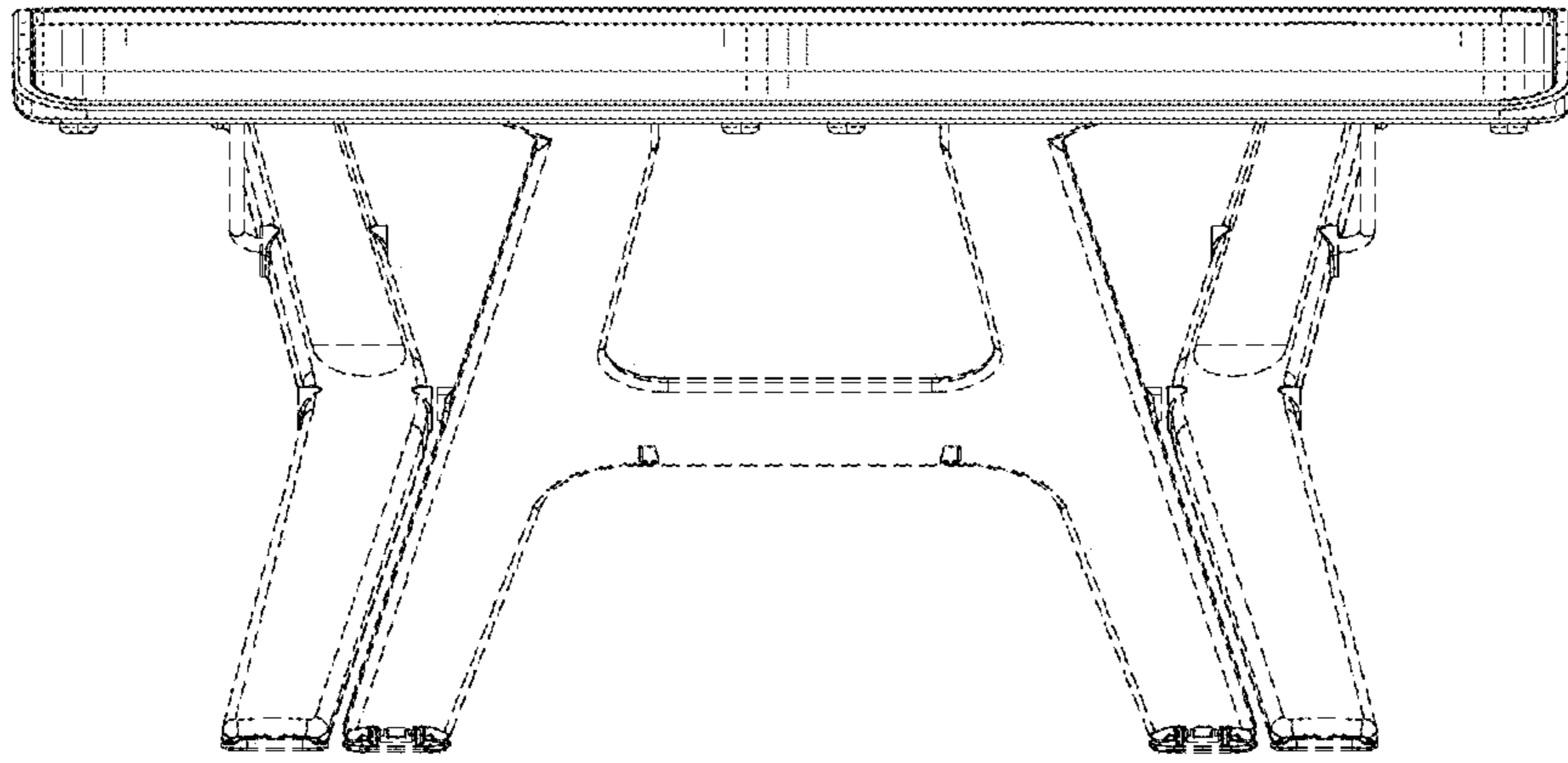


FIG. 7

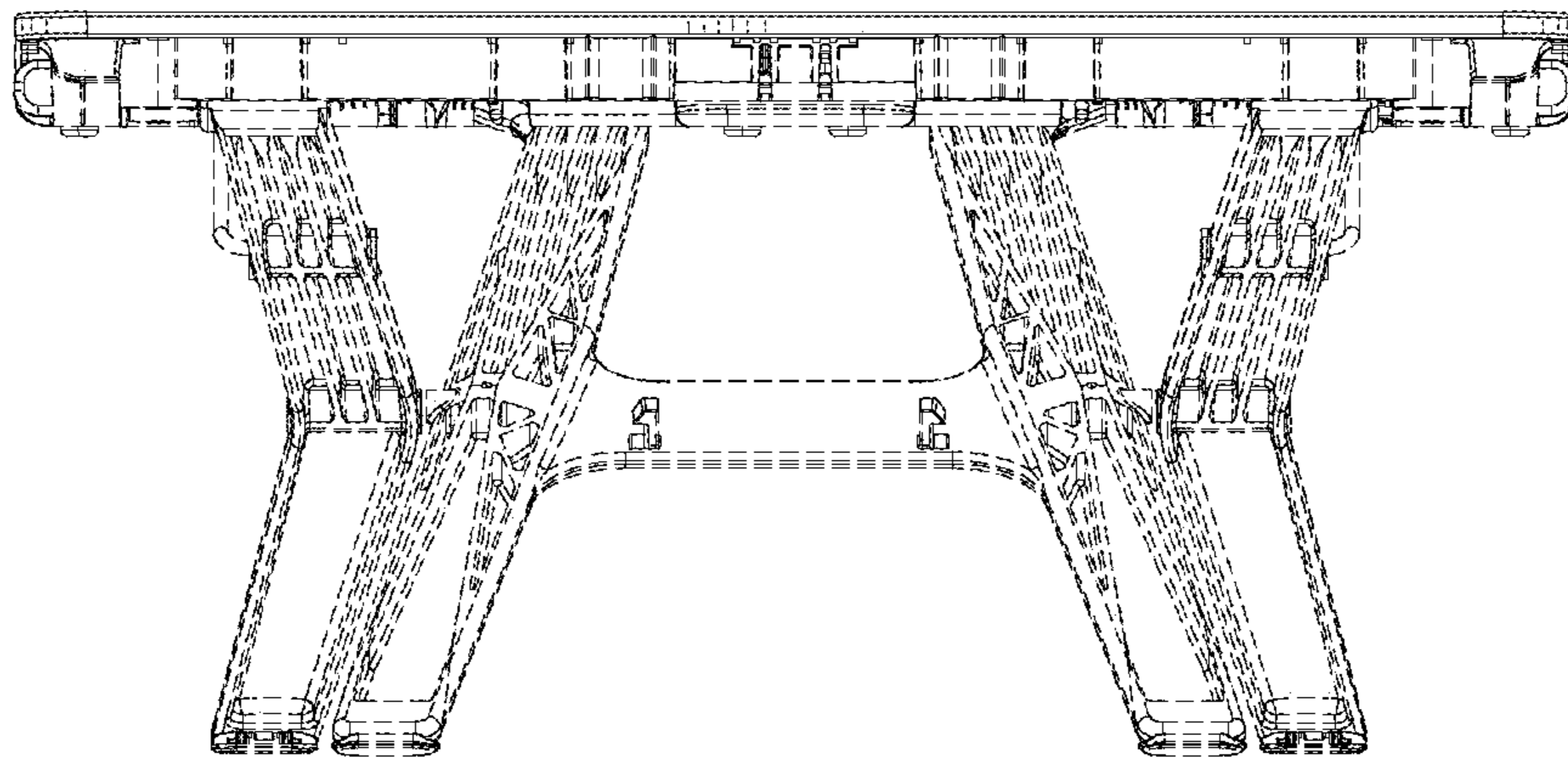


FIG. 8



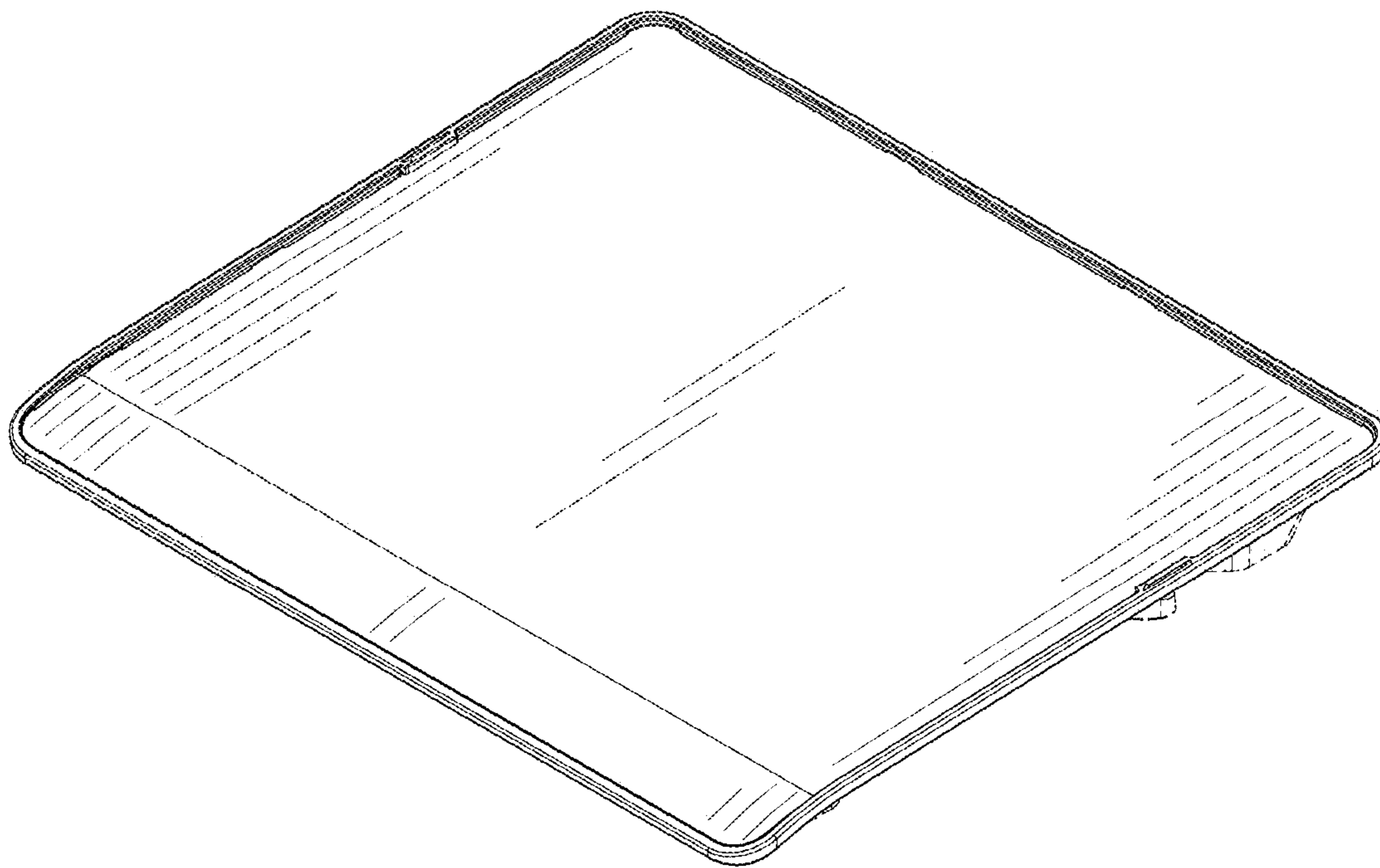


FIG. 9

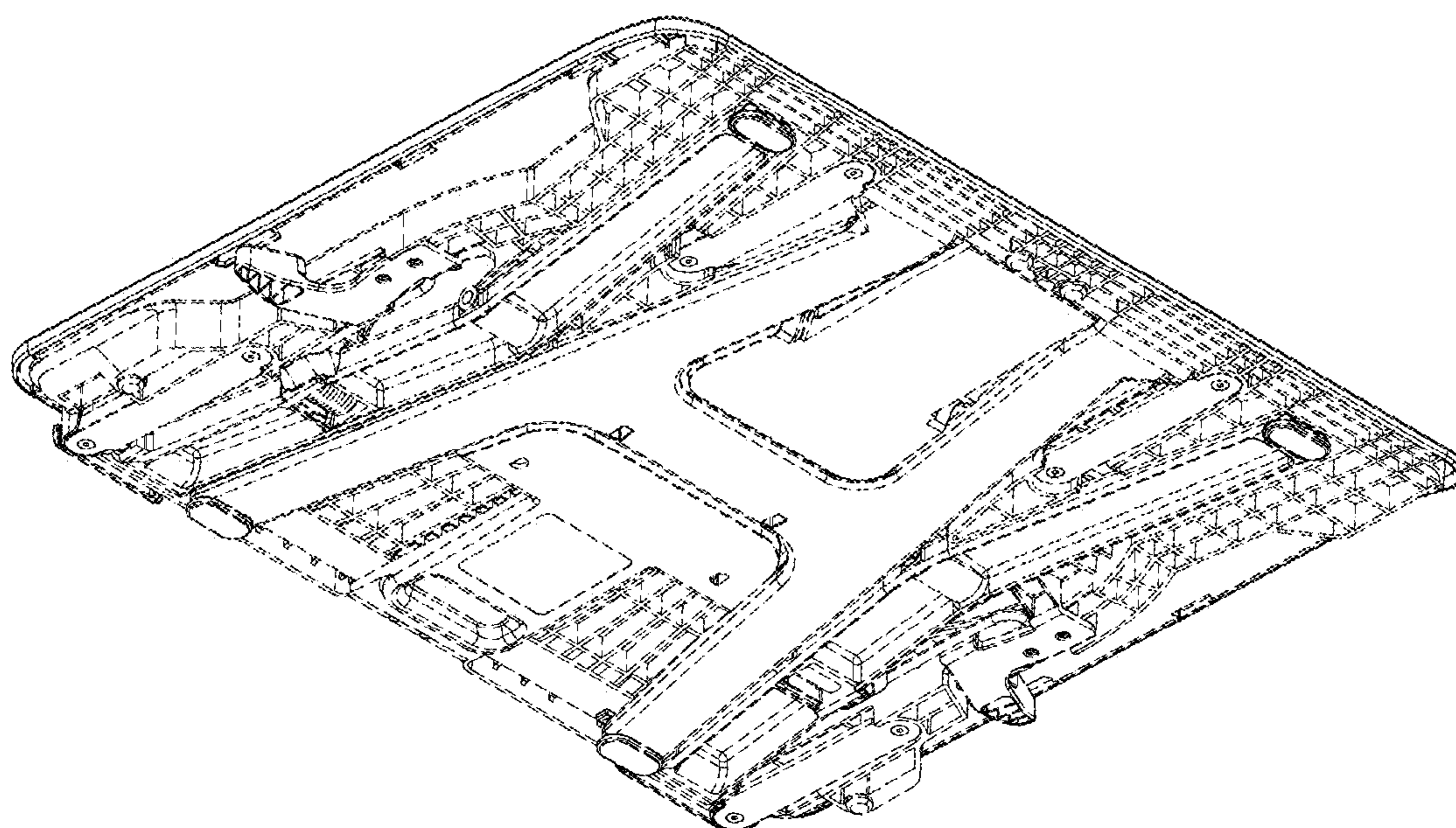


FIG. 10

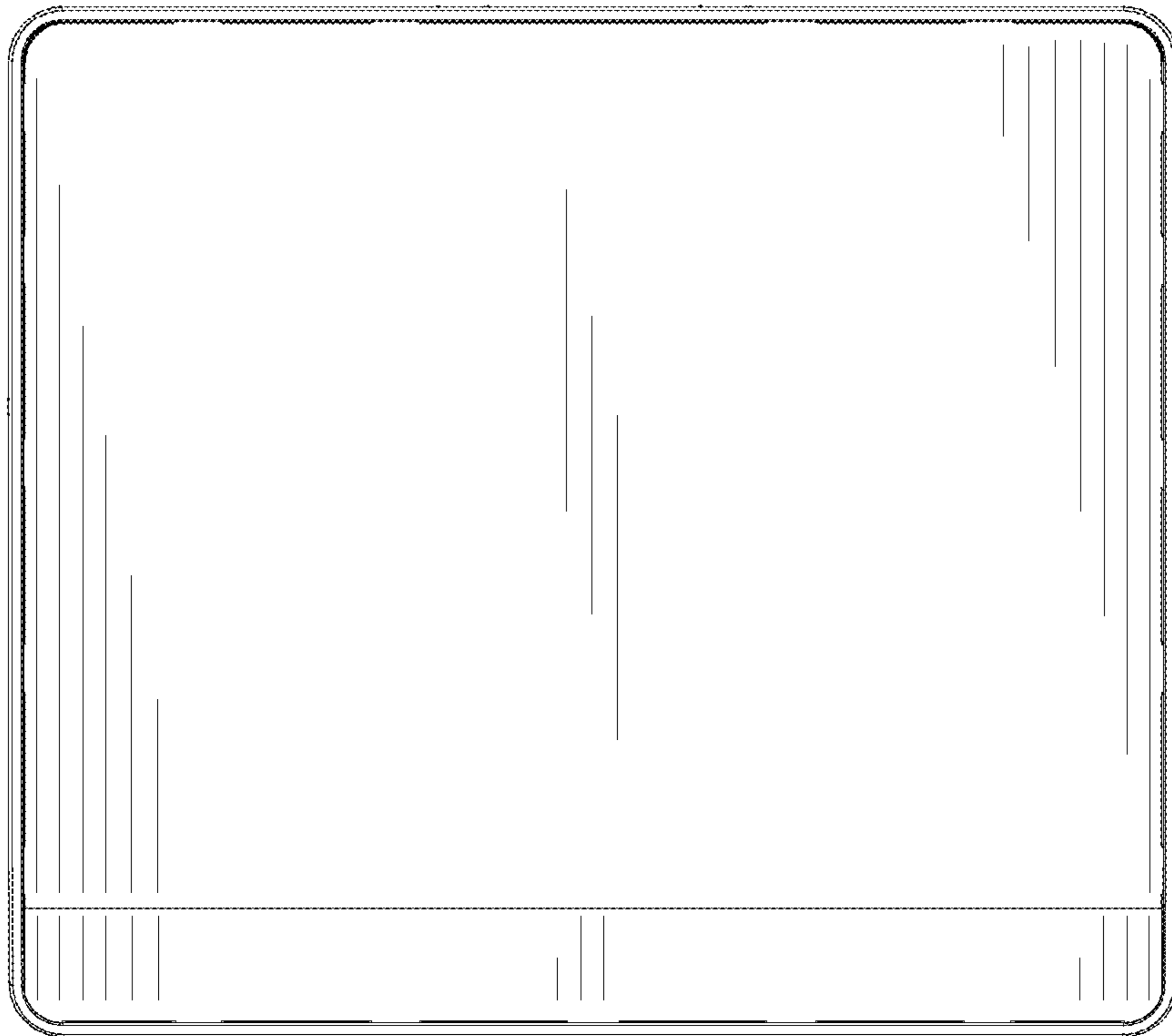


FIG. 11

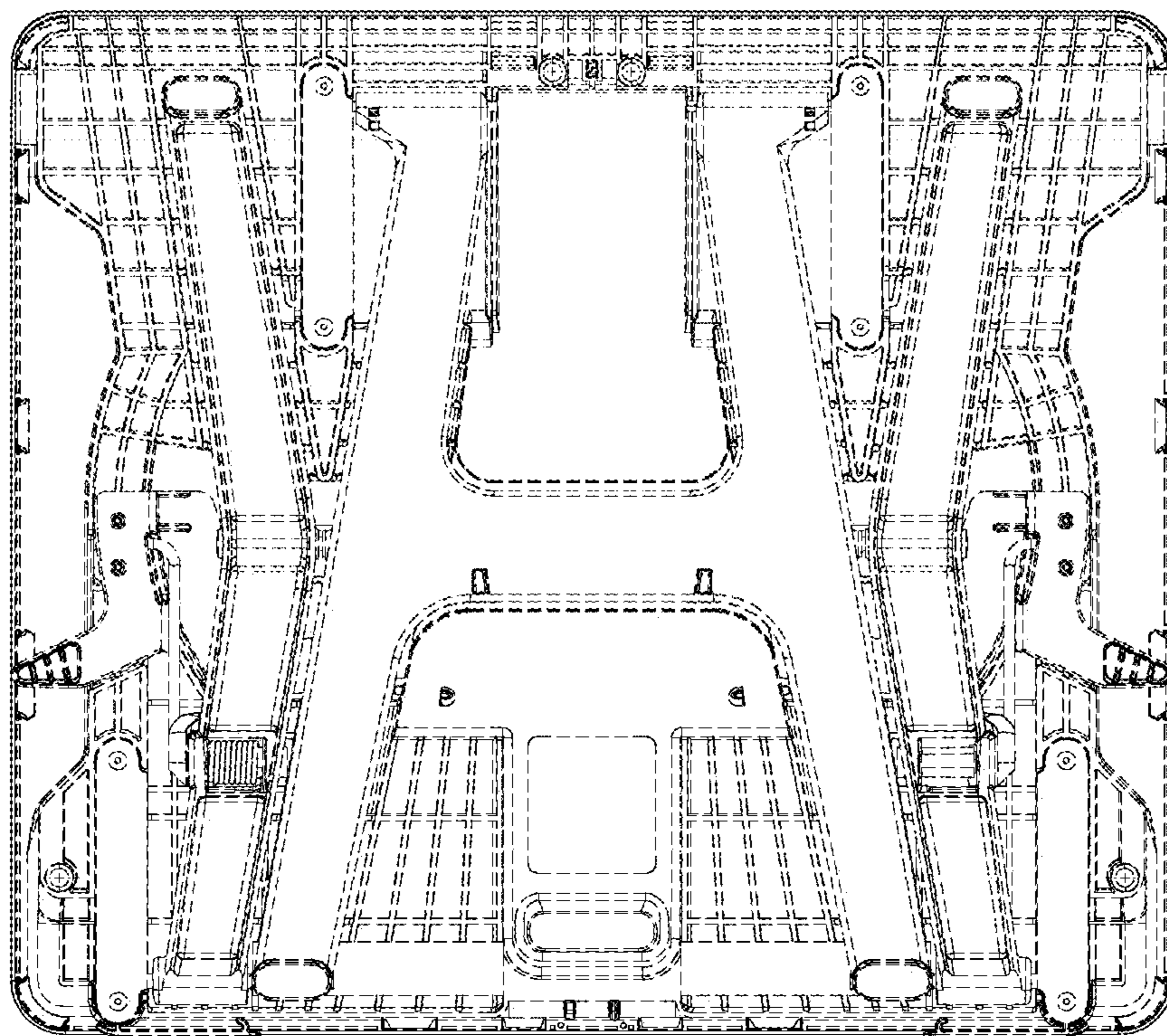


FIG. 12

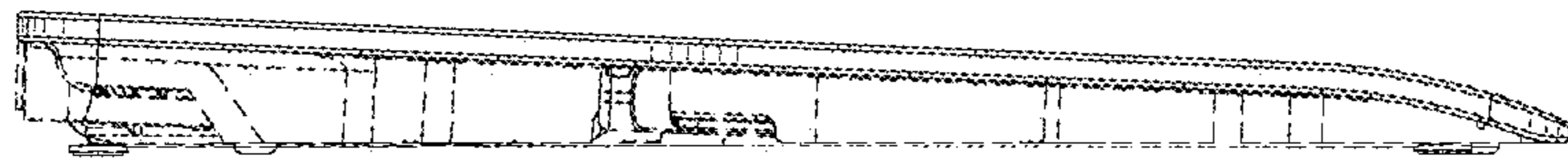


FIG. 13

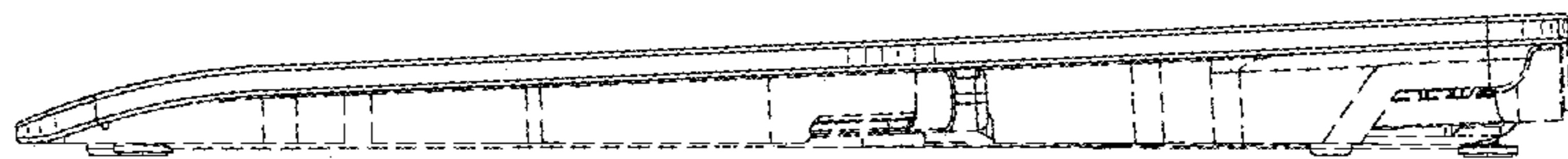


FIG. 14



FIG. 15

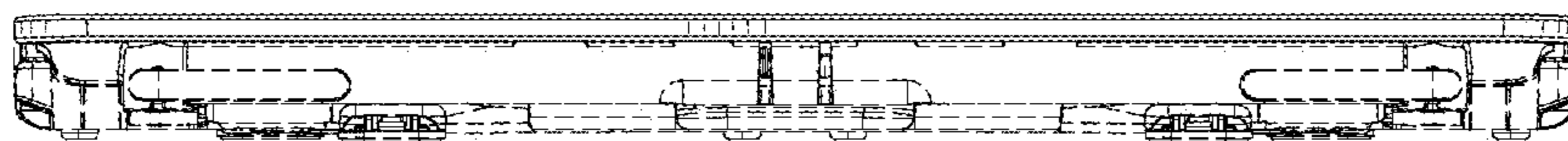


FIG. 16