



US00D984455S

(12) **United States Design Patent** (10) **Patent No.:** **US D984,455 S**  
**You** (45) **Date of Patent:** **\*\* Apr. 25, 2023**

(54) **DISPLAY STAND**

(71) Applicant: **NINGBO TUOTUO RIVER DESIGN COMPANY, Zhejiang (CN)**

(72) Inventor: **Xiaodong You, Ningbo (CN)**

(73) Assignee: **NINGBO TUOTUO RIVER DESIGN COMPANY, Ningbo (CN)**

(\*\*) Term: **15 Years**

(21) Appl. No.: **29/752,881**

(22) Filed: **Sep. 29, 2020**

(51) **LOC (14) Cl.** ..... **14-02**

(52) **U.S. Cl.**  
USPC ..... **D14/451**

(58) **Field of Classification Search**  
USPC ..... D14/371-382, 125-129, 336, 337, D14/447-452, 492, 335, 376-382, 239, D14/457, 439-441, 432, 251-253; D8/349, 354, 363, 373, 376, 380; D21/333; D12/415; D3/218; 348/180, 348/184, 325, 739, 825  
CPC ..... G06F 3/0412; G06F 3/016; G06F 3/0488; G06F 3/011; G06F 3/038; G06F 3/03543; G06F 3/0338; G06F 3/0202; G06F 3/0219; G06F 3/0213; G06F 1/1616; G06F 3/023; G06F 3/04883; G02F 1/13338; G02F 1/1313; G02F 1/1333; G02F 1/135; G02F 1/132; G02F 1/133308; G02F 1/134309; G02F 1/13718; G09G 3/3648; G06K 15/1252; B41J 2/465; G03F 7/70291; G02B 27/0172; G02B 5/30; G02B 2027/0118; G02B 27/0101; F16M 13/02; F16M 13/00; F16M 11/10; F16M 11/04; F16M 2200/08; F16M 11/2021; A47B 21/0314; A47B 88/044; A47B 2021/0335; H02G 3/126; F16B 47/00; F16B 47/006; A47G 1/17; A47K 2201/00

See application file for complete search history.

(56) **References Cited**

**U.S. PATENT DOCUMENTS**

D716,777 S *	11/2014	Kim	.....	D14/239
D818,996 S *	5/2018	So	.....	D14/239
D818,998 S *	5/2018	Lee	.....	D14/239
D820,818 S *	6/2018	Heckler	.....	D14/239
D852,876 S *	7/2019	Fook	.....	D16/244
D905,652 S *	12/2020	Lee	.....	D14/126
D914,655 S *	3/2021	Pei	.....	D14/239
D916,689 S *	4/2021	Lyu	.....	D14/239
D920,987 S *	6/2021	Lyu	.....	D14/451
D949,871 S *	6/2022	You	.....	D14/451
D956,128 S *	6/2022	Lin	.....	D16/244
D959,539 S *	8/2022	Lin	.....	D16/244
2019/0262682 A1 *	8/2019	McGetrick	.....	A63B 67/06

\* cited by examiner

*Primary Examiner* — Katie Jane Stofko

(74) *Attorney, Agent, or Firm* — Knobbe Martens Olson & Bear LLP

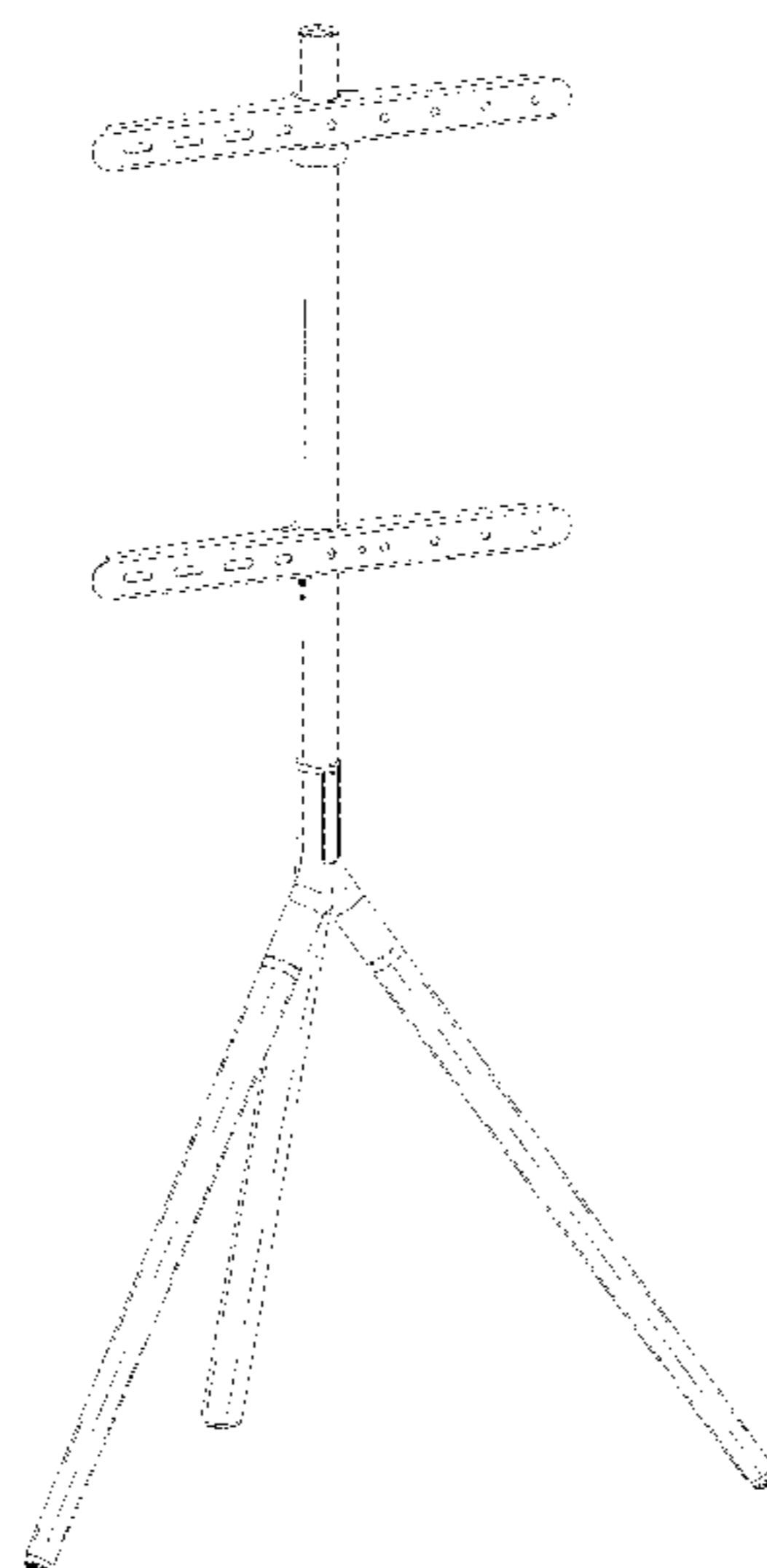
(57) **CLAIM**

The ornamental design for a display stand, as shown and described.

**DESCRIPTION**

FIG. 1 is a front perspective view of the display stand embodying the new design;  
FIG. 2 is a back perspective view of thereof;  
FIG. 3 is a front view thereof;  
FIG. 4 is a back view thereof;  
FIG. 5 is a left side view thereof;  
FIG. 6 is a right side view thereof;  
FIG. 7 is a top view thereof; and,  
FIG. 8 is a bottom view thereof.  
The broken lines shown in FIG. 4 illustrate portions of the display stand that form no part of the claimed design.

**1 Claim, 8 Drawing Sheets**



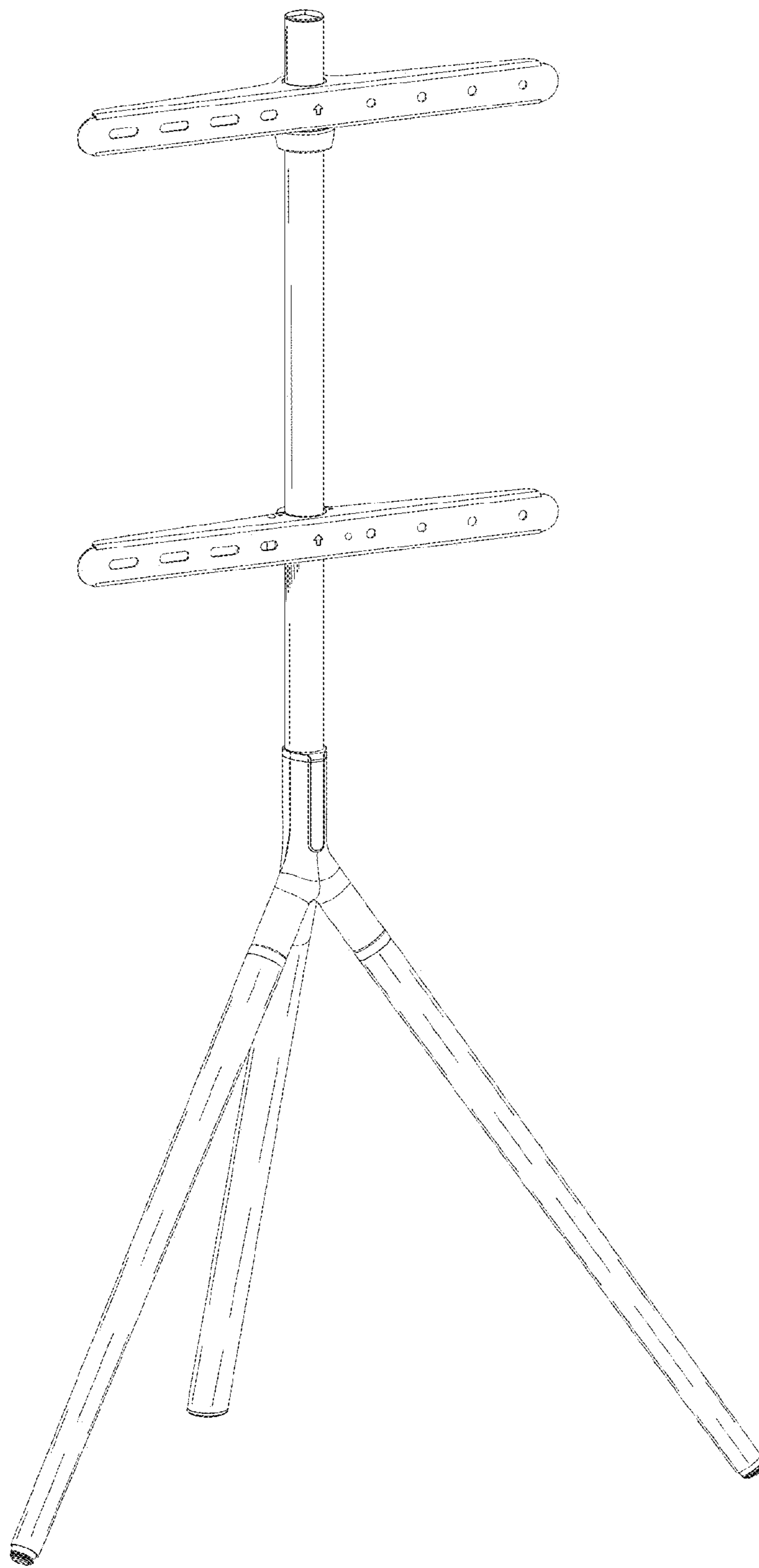


Fig. 1

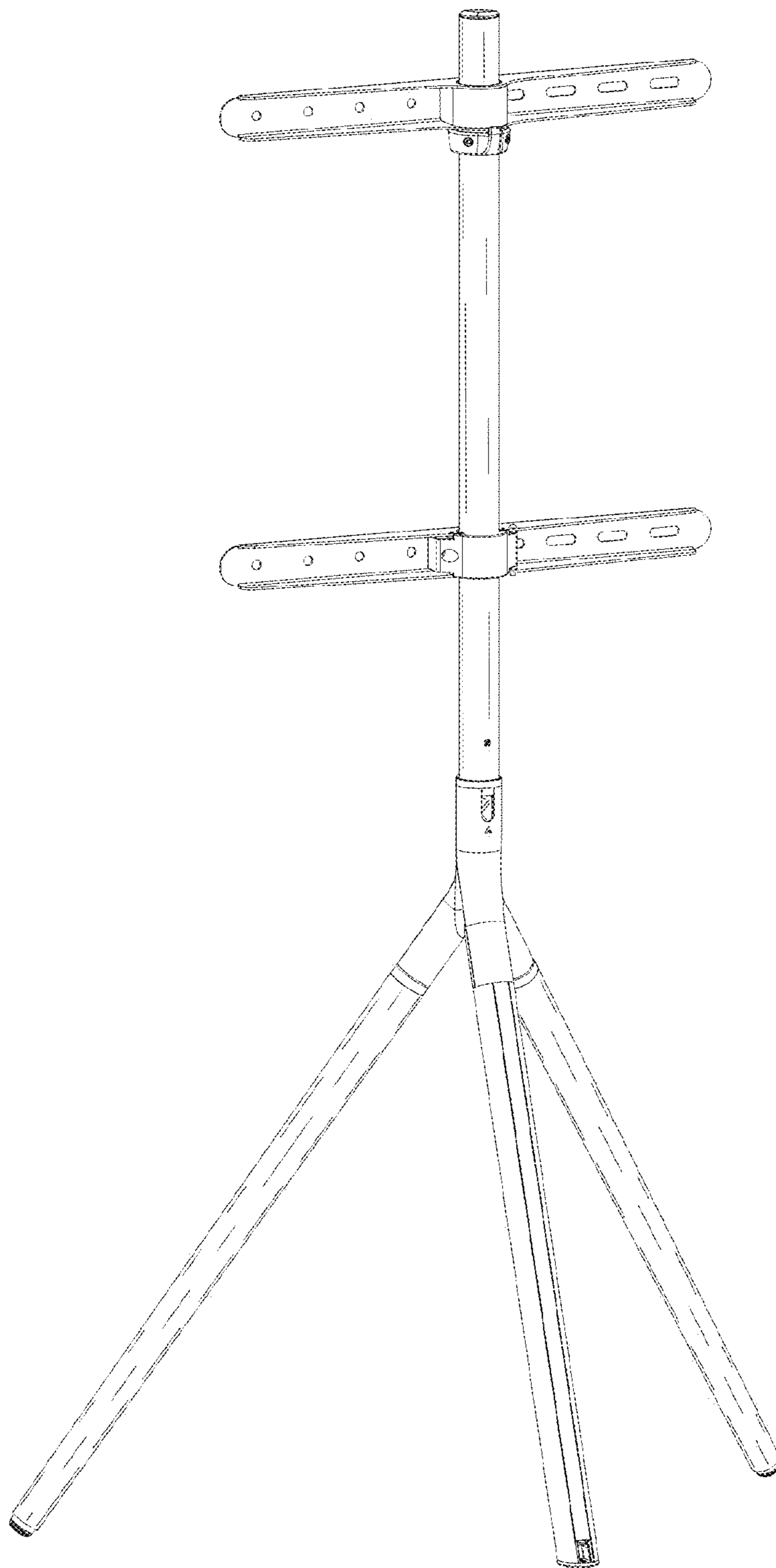


Fig. 2

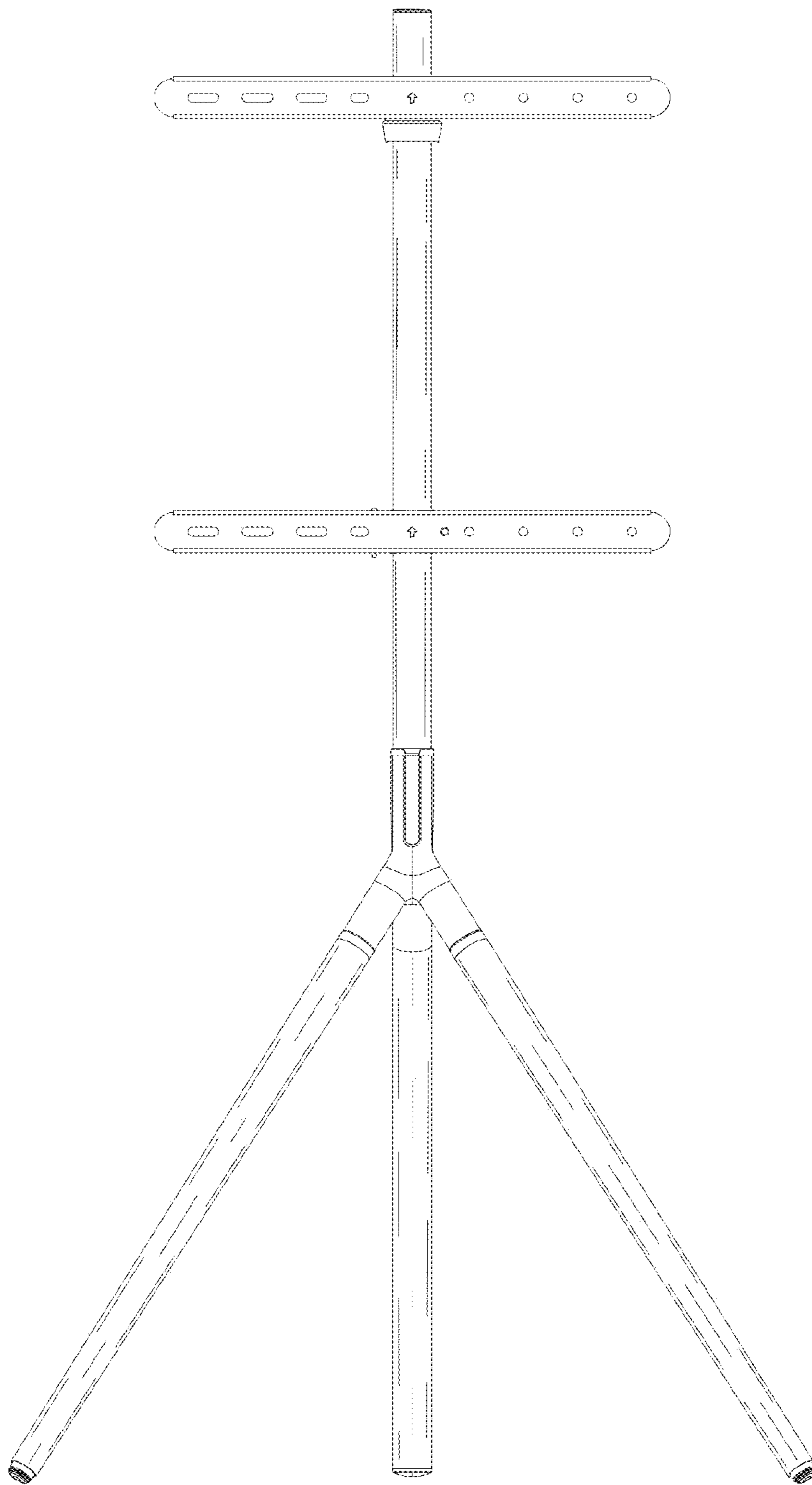


Fig. 3

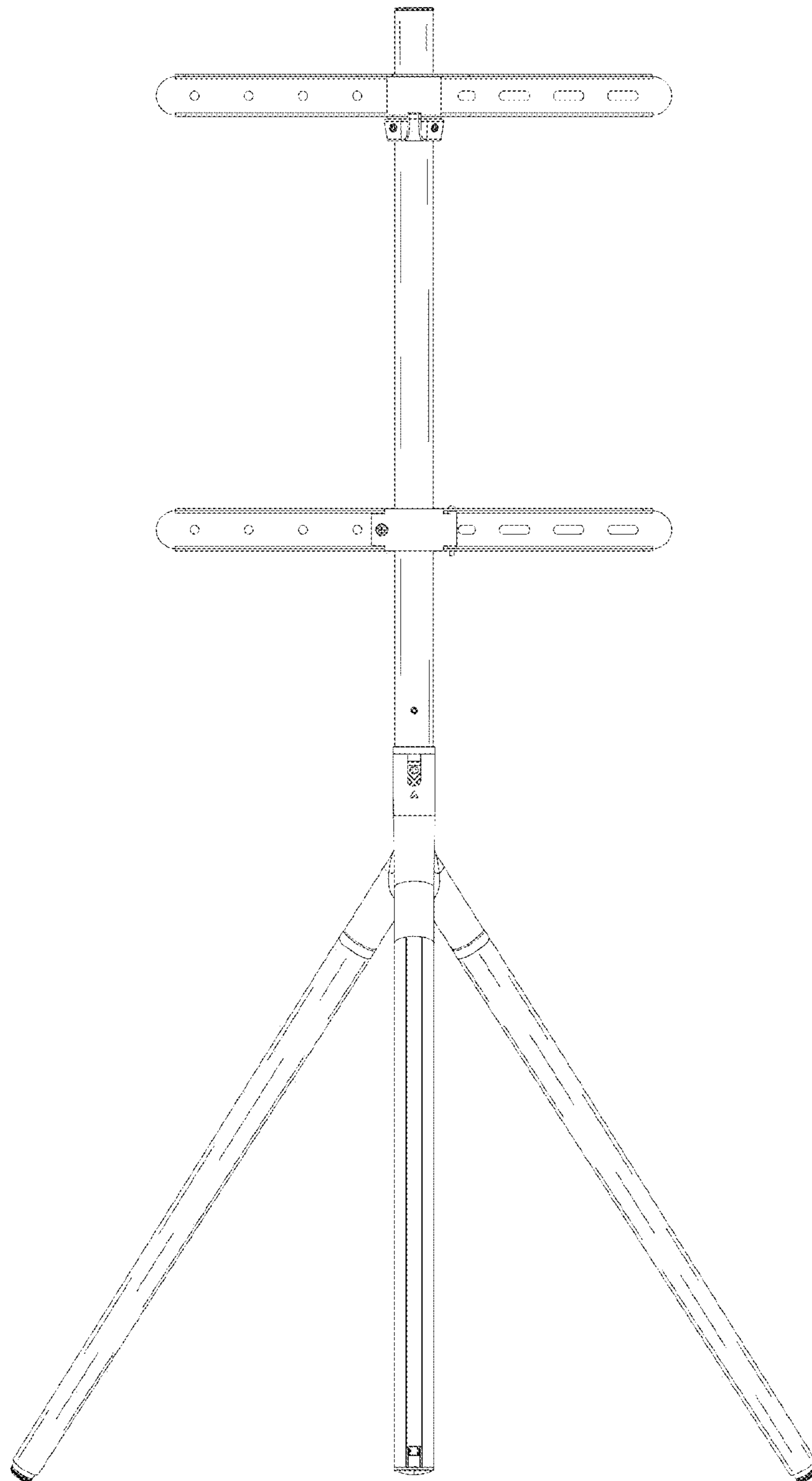


Fig. 4

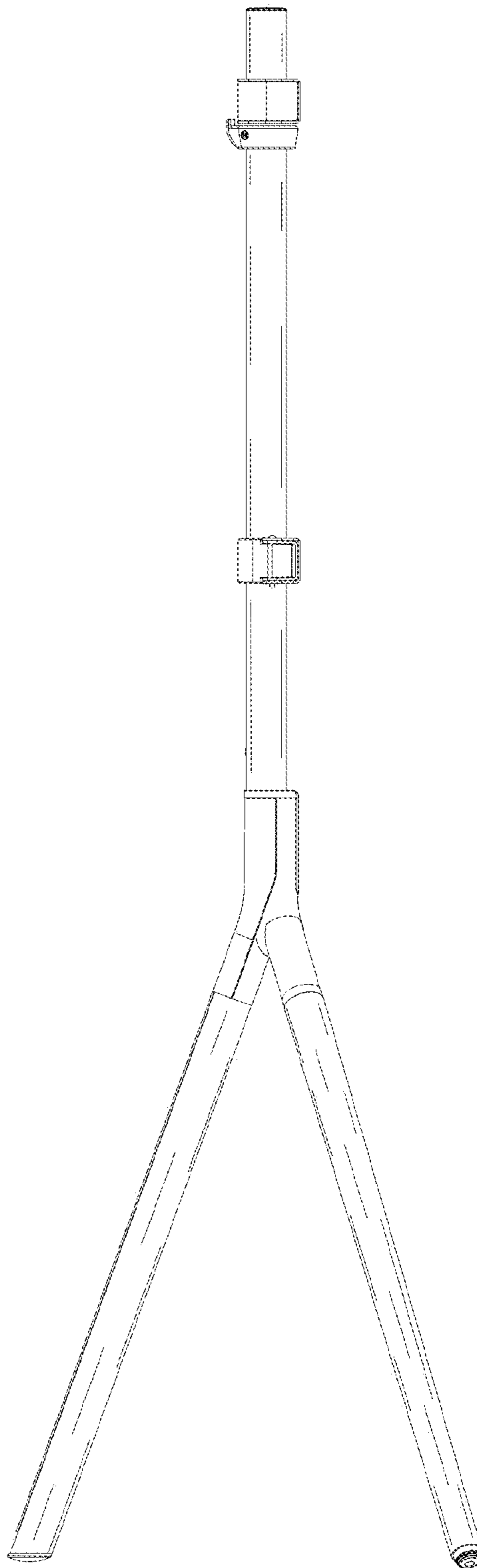


Fig. 5

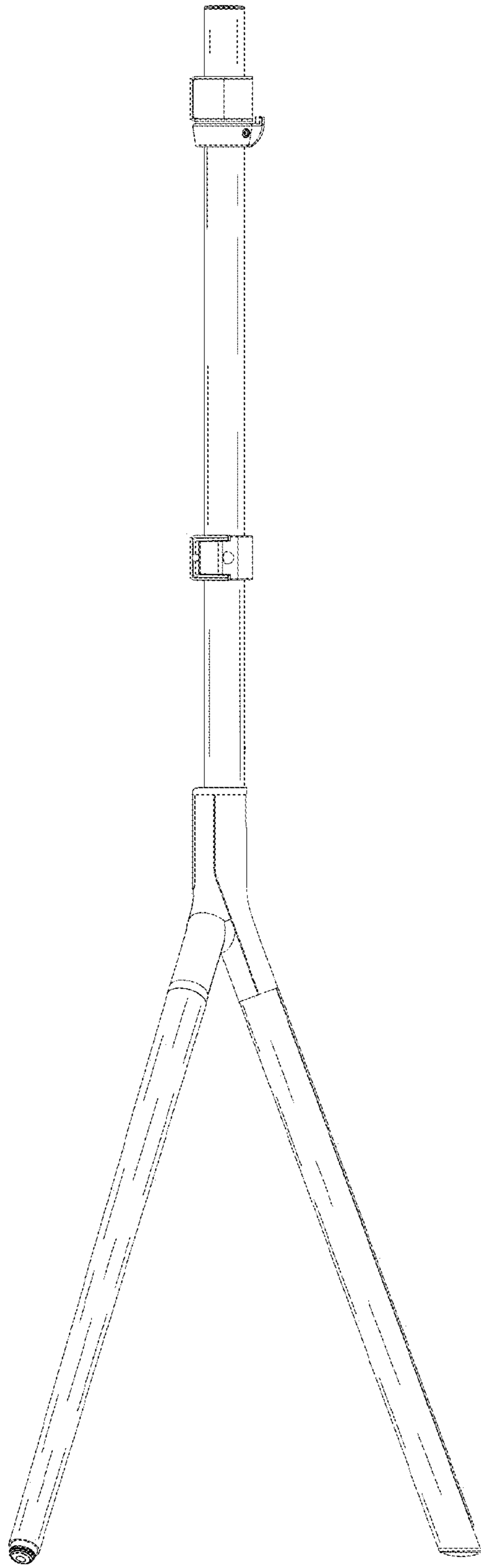


Fig. 6



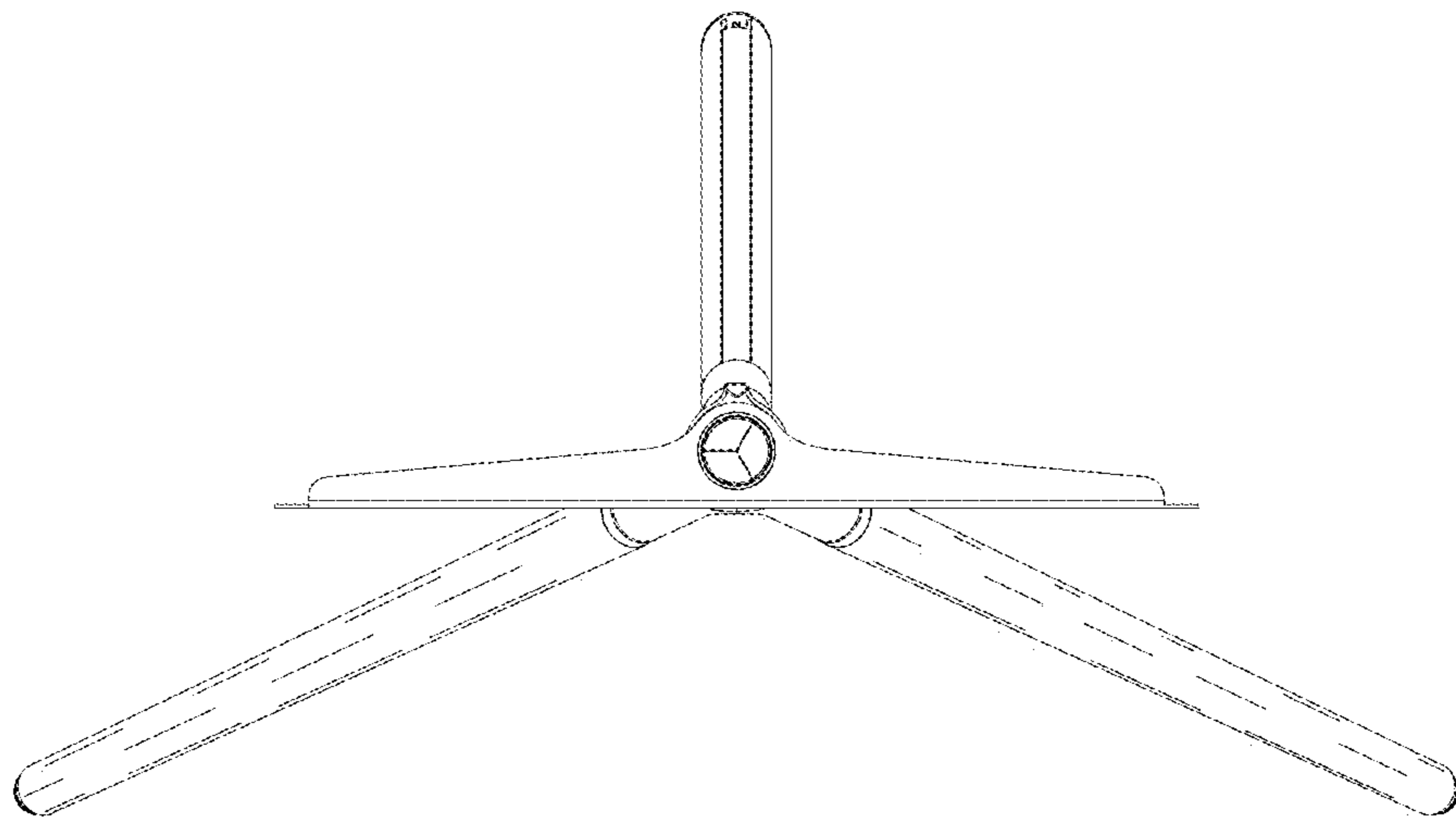


Fig. 7



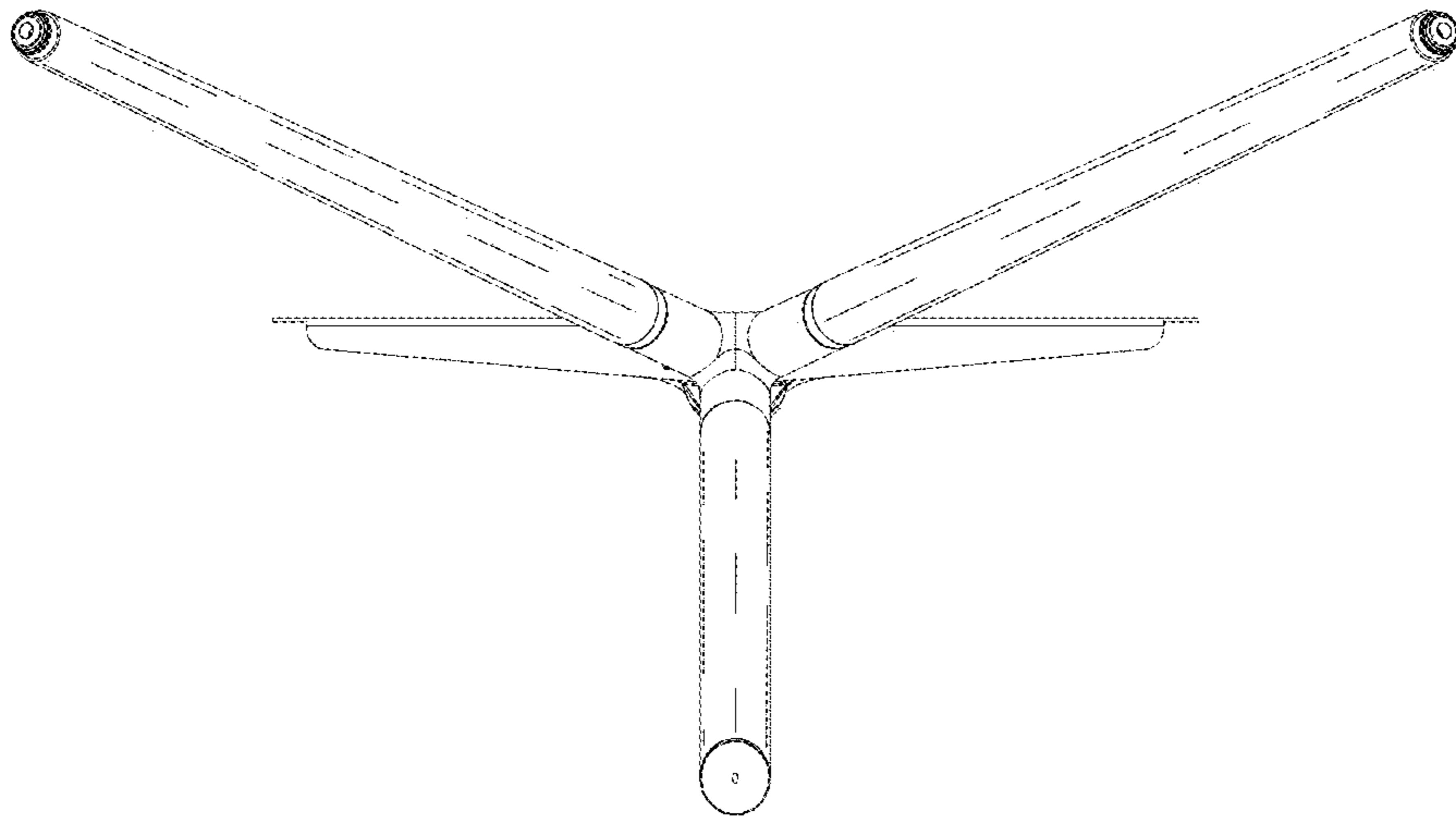


Fig. 8