



US00D984454S

(12) **United States Design Patent**  
**Chen**

(10) **Patent No.:** **US D984,454 S**

(45) **Date of Patent:** **\*\* \*Apr. 25, 2023**

- (54) **PORTABLE LAPTOP STAND**
- (71) Applicant: **Shenzhen Reno Information Technology Limited**, Guangdong (CN)
- (72) Inventor: **Huifeng Chen**, Guangdong (CN)
- (73) Assignee: **Shenzhen Reno Information Technology Limited**, Shenzhen (CN)
- (\*) Notice: This patent is subject to a terminal disclaimer.
- (\*\*) Term: **15 Years**

D685,378	S	*	7/2013	Deng	.....	D14/447
D764,478	S	*	8/2016	Radmard	.....	H04M 1/11
						D14/440
10,001,153	B1	*	6/2018	Fan	.....	F16M 13/00
D827,652	S	*	9/2018	Jacques	.....	D14/447
D898,748	S		10/2020	Ma		
D902,936	S		11/2020	Hong		
D904,416	S	*	12/2020	Xu	.....	D14/447
D921,642	S	*	6/2021	Hong	.....	D14/447
D930,655	S	*	9/2021	Lin	.....	D14/447
D937,279	S	*	11/2021	Zhang	.....	D14/447
D950,569	S		5/2022	Xiong		
D952,643	S	*	5/2022	Chen	.....	D14/447
D962,242	S	*	8/2022	Chen	.....	D14/447
2012/0234055	A1	*	9/2012	Bland, III	.....	F16M 13/00
						70/14

- (21) Appl. No.: **29/845,171**
- (22) Filed: **Jul. 5, 2022**
- (51) **LOC (14) Cl.** ..... **14-02**
- (52) **U.S. Cl.**  
USPC ..... **D14/447**
- (58) **Field of Classification Search**  
USPC ..... D14/447, 432, 434, 439, 440, 451, 452, D14/457, 239, 253, 250; D8/363, 373, D8/380; D6/406.3, 406.4, 406.5, 406.6; D12/415; D19/91; D3/218  
CPC ..... A47B 21/04; A47B 2097/006; A47B 2097/005; A47B 2023/049; A45C 2011/002; A45C 2011/003; F16M 2200/00; F16M 13/00; A45F 2200/0516; A45F 2200/0525  
See application file for complete search history.

\* cited by examiner

*Primary Examiner* — Angela J Lee  
(74) *Attorney, Agent, or Firm* — Nitin Kaushik

(57) **CLAIM**

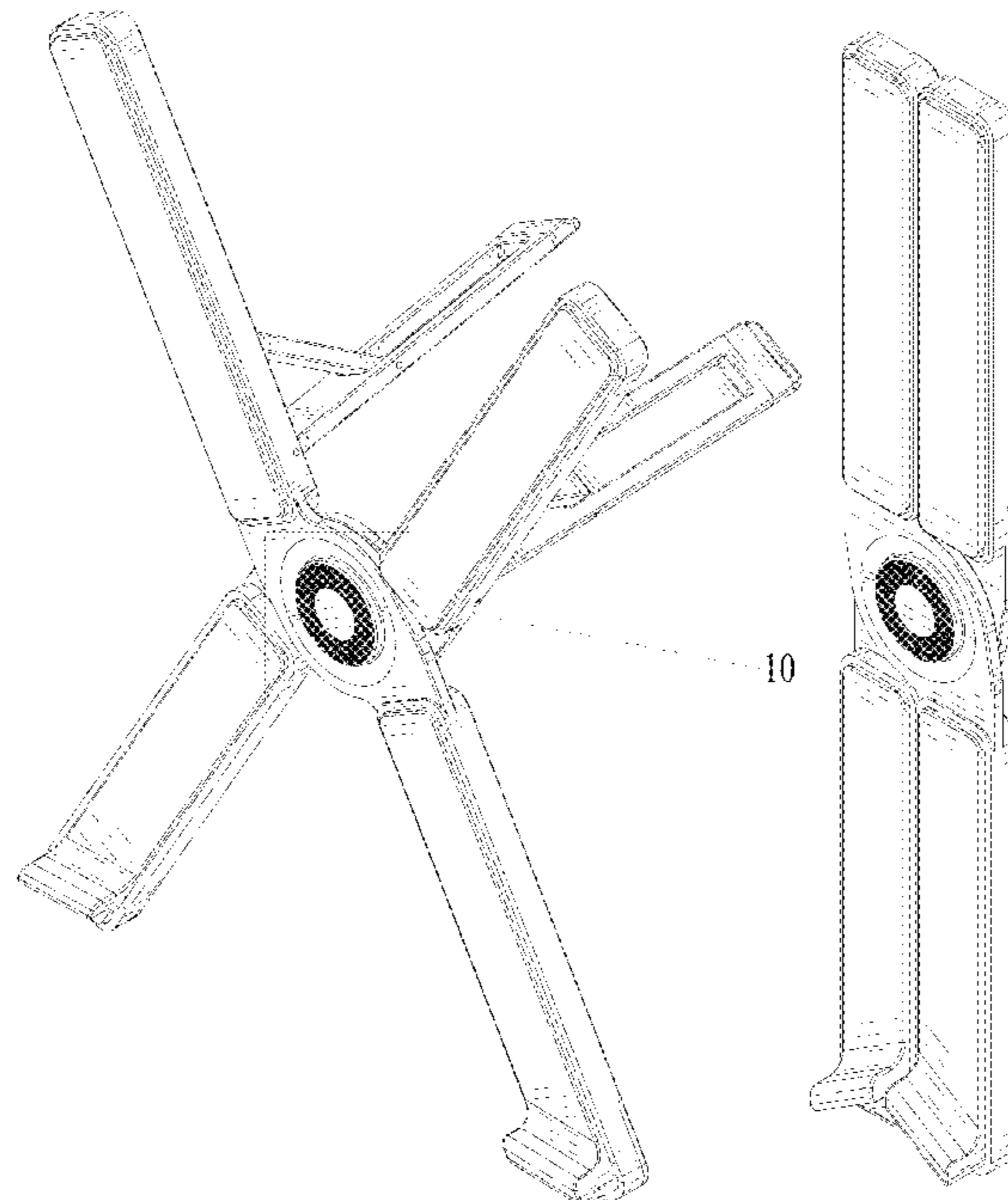
The ornamental design for a portable laptop stand, as shown and described.

**DESCRIPTION**

FIG. 1 is a front, right perspective view of the portable laptop stand;  
FIG. 2 is rear, left perspective view of thereof;  
FIG. 3 is a front view of thereof;  
FIG. 4 is a rear view of thereof;  
FIG. 5 is a right view of thereof;  
FIG. 6 is a left view of thereof;  
FIG. 7 is a top view of thereof;  
FIG. 8 is a bottom view of thereof;  
FIG. 9 is a folded view thereof; and,  
FIG. 10 is a partially enlarged view thereof.

- (56) **References Cited**  
U.S. PATENT DOCUMENTS  
D636,397 S \* 4/2011 Green ..... D14/447  
D673,960 S \* 1/2013 Lindfield ..... D14/447

**1 Claim, 10 Drawing Sheets**



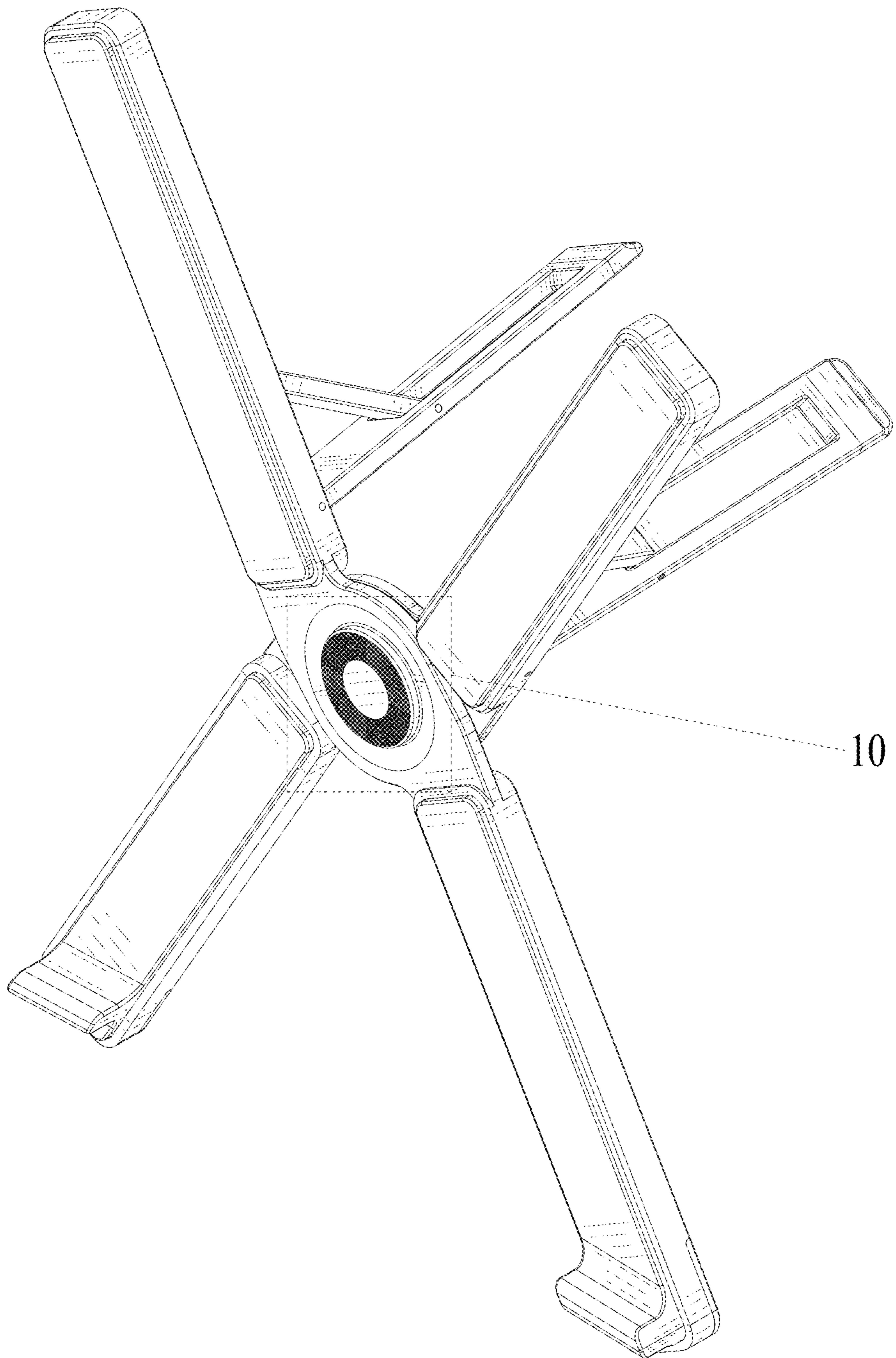


FIG. 1

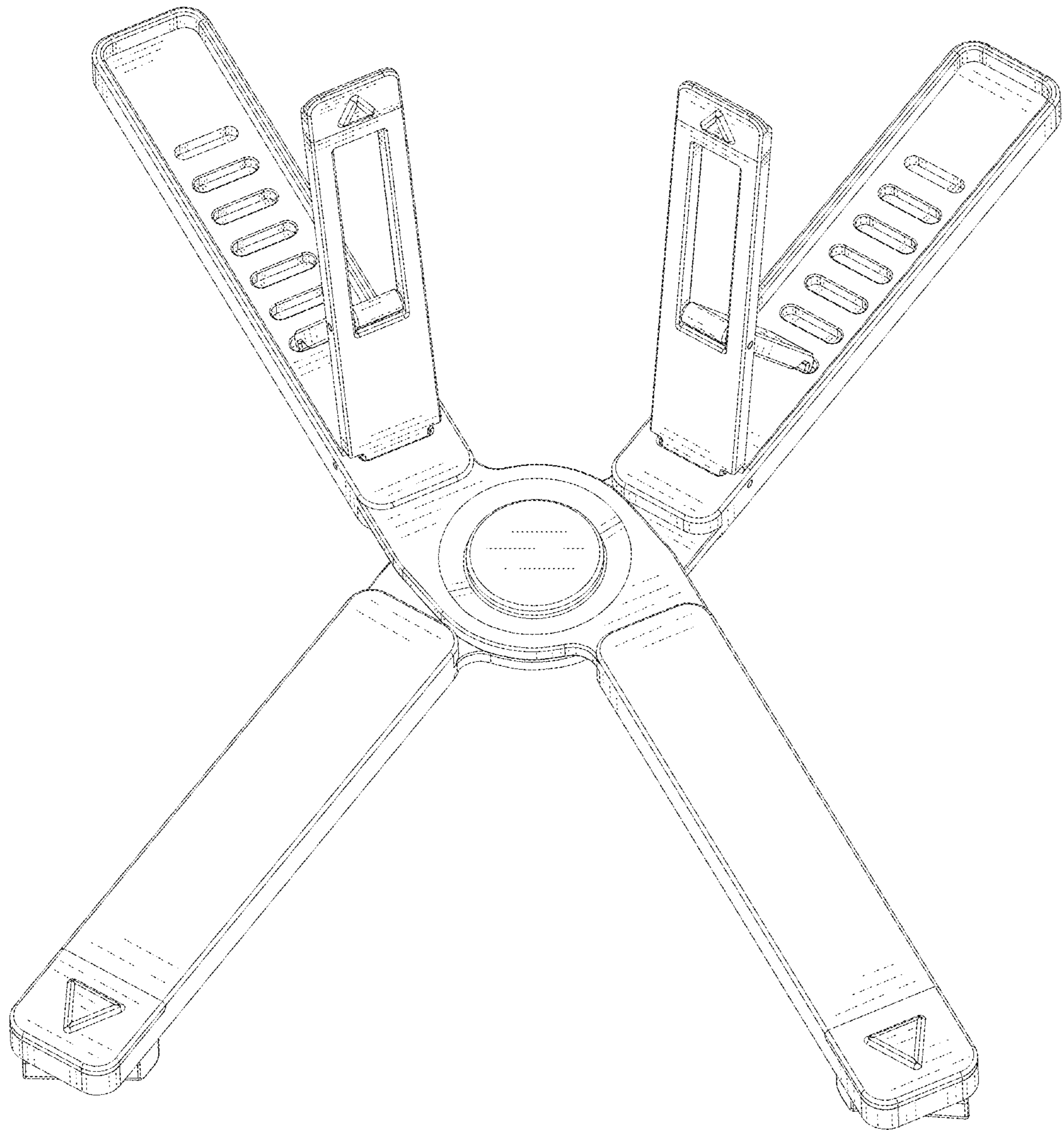


FIG. 2

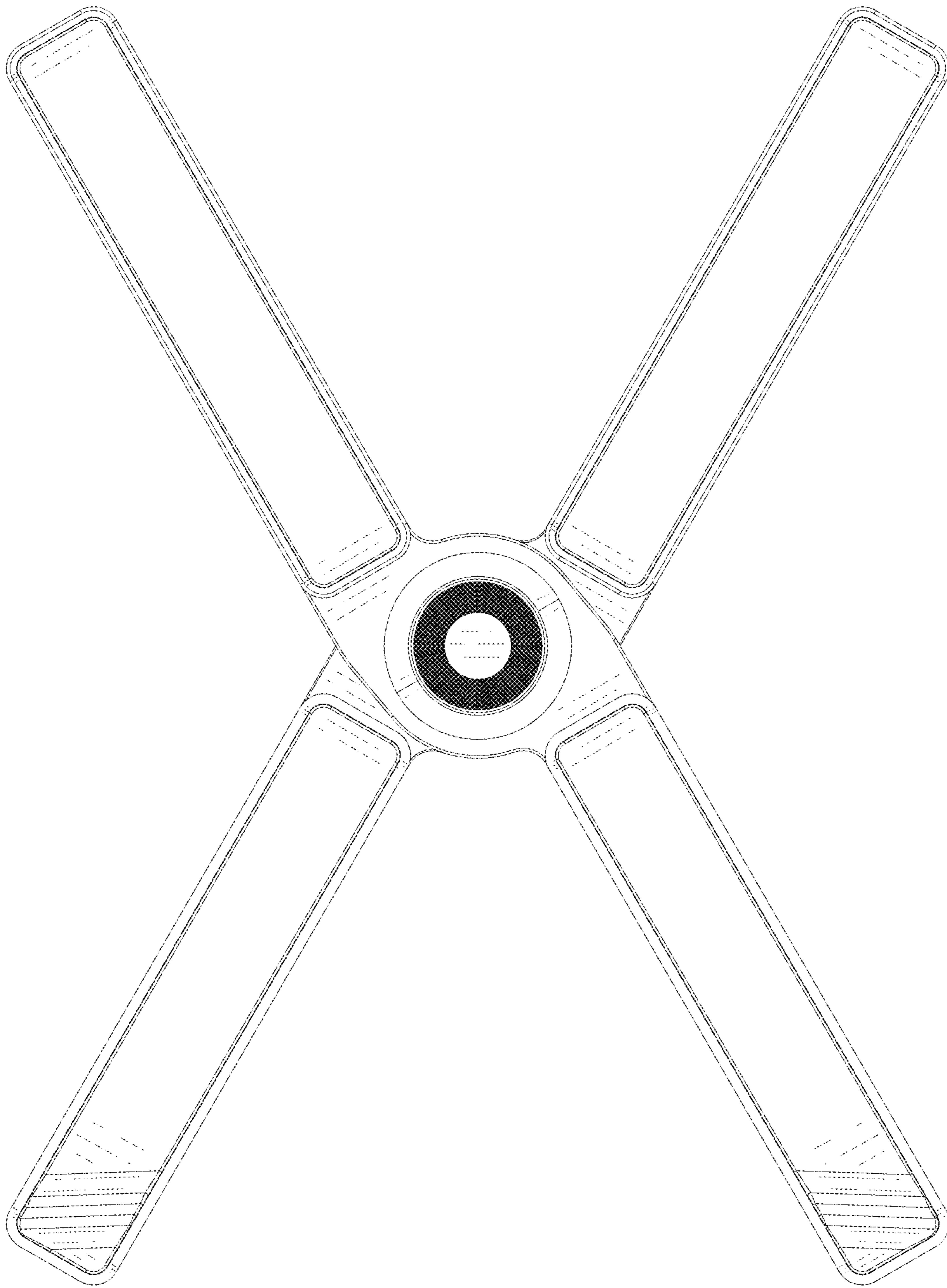


FIG. 3

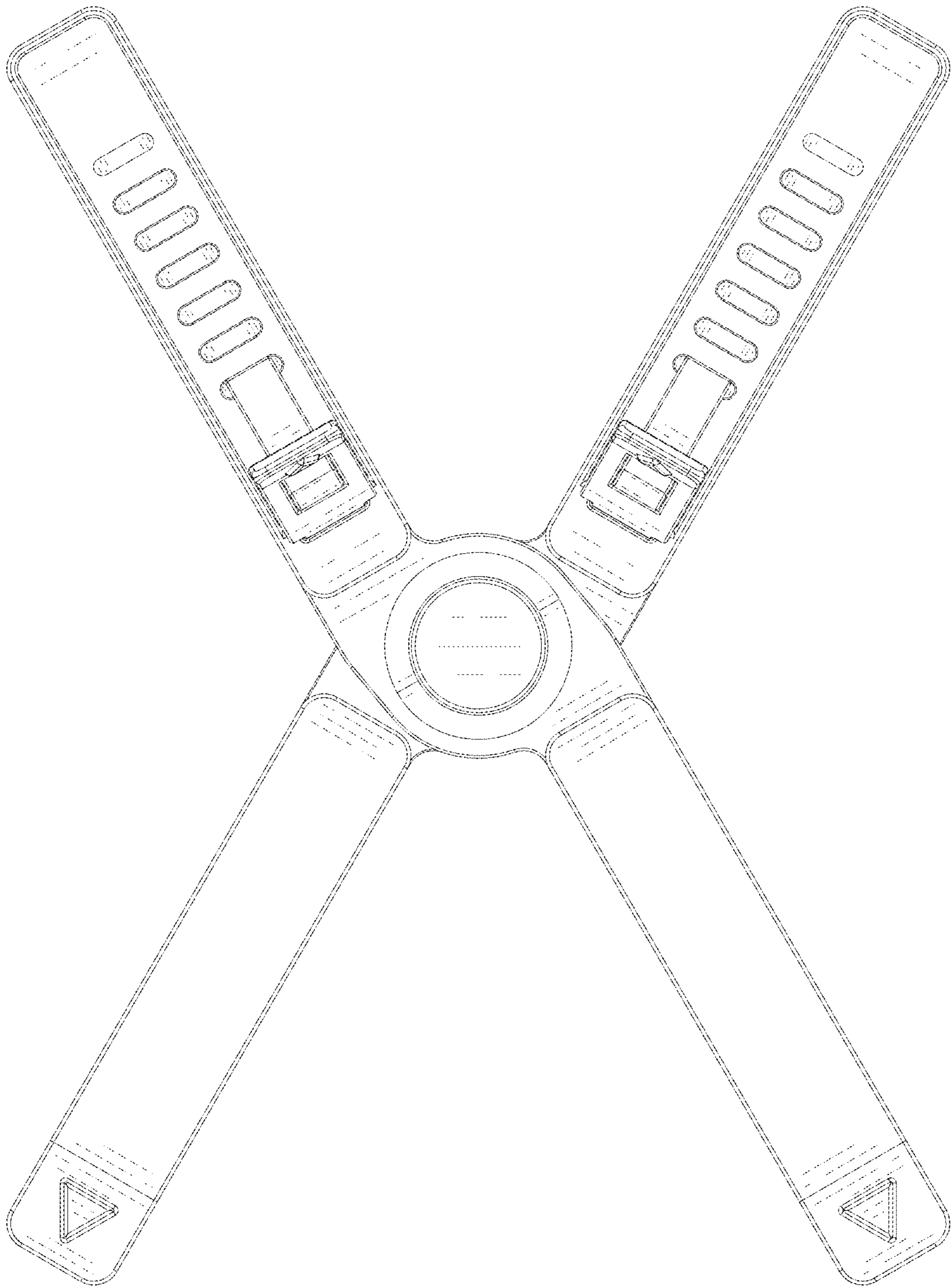


FIG. 4

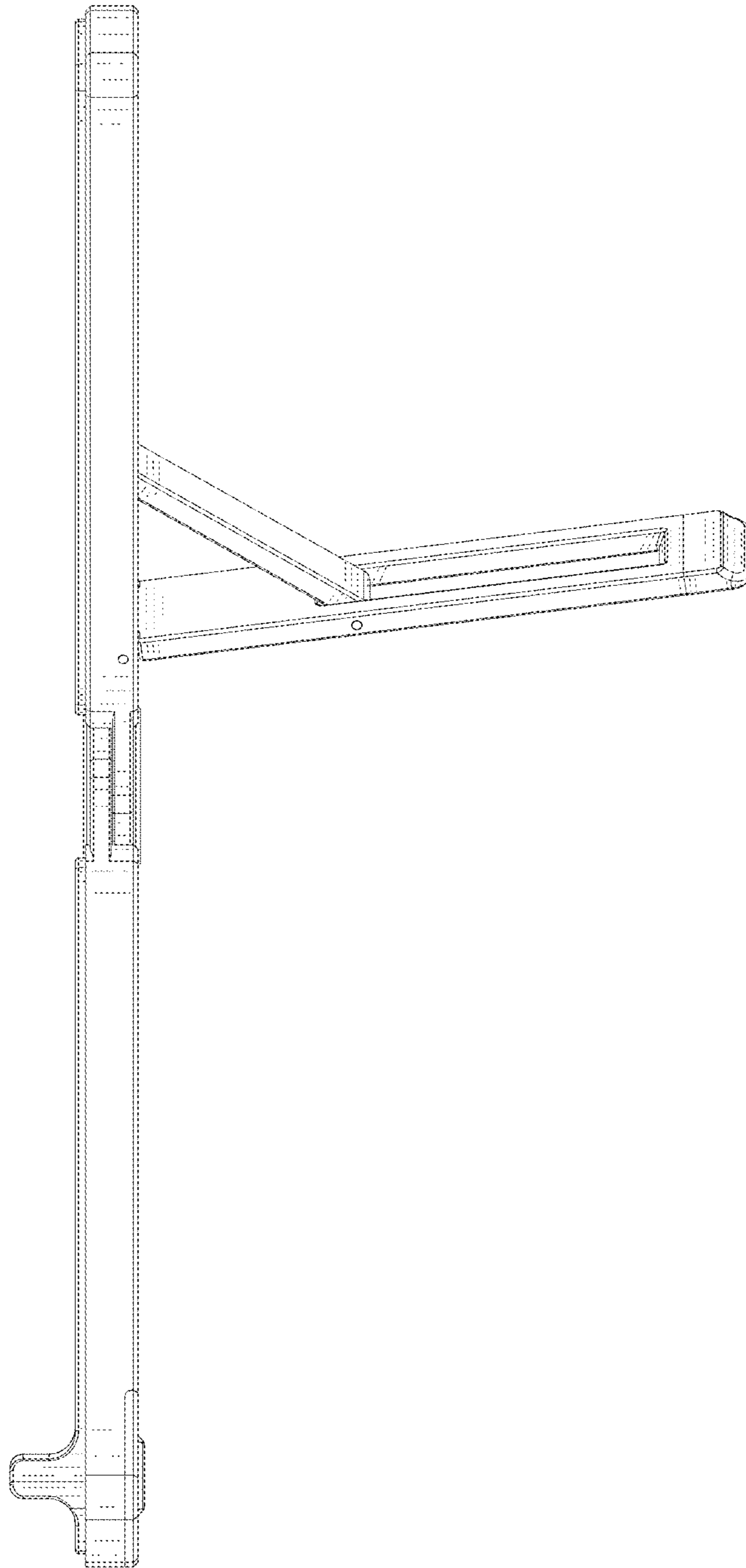


FIG. 5

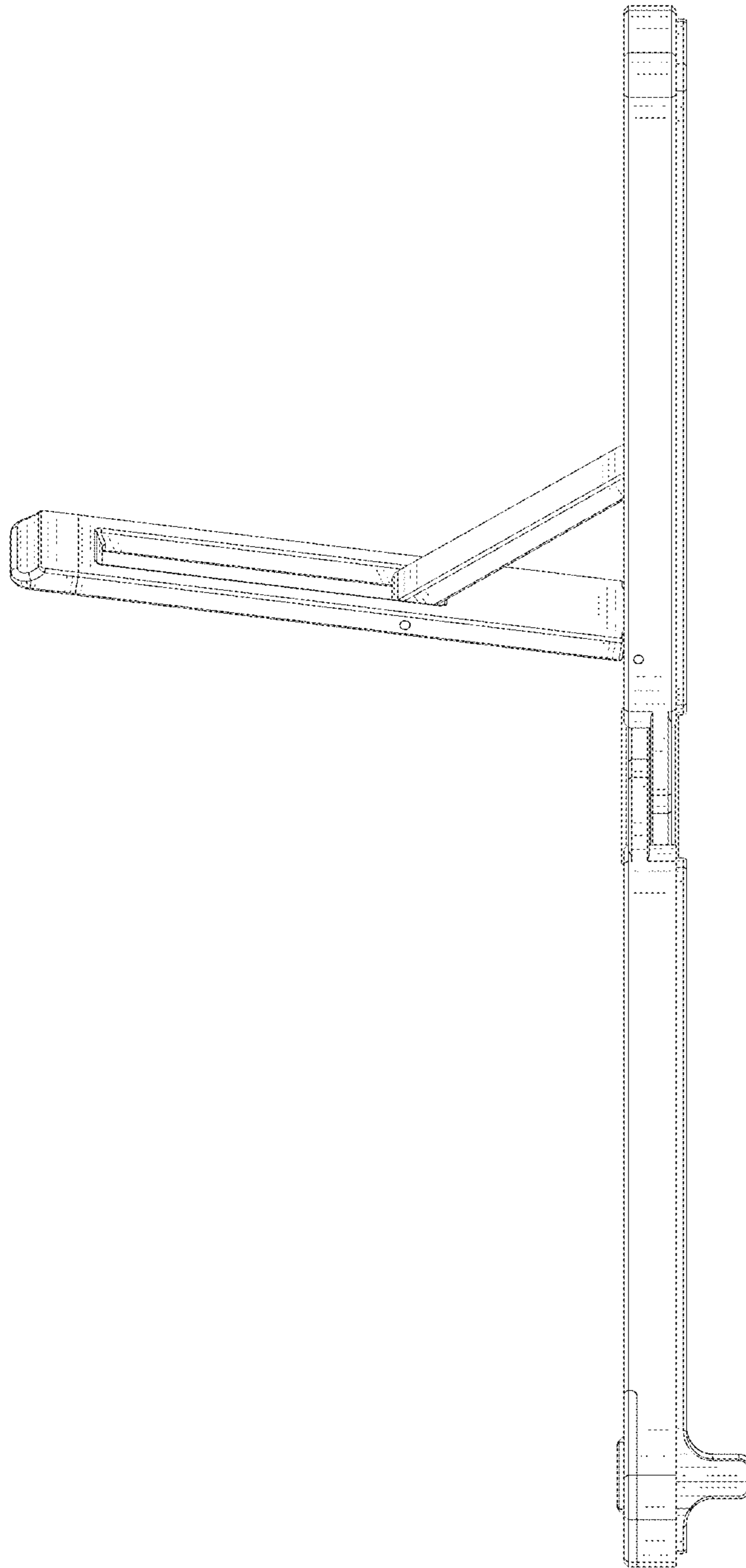


FIG. 6

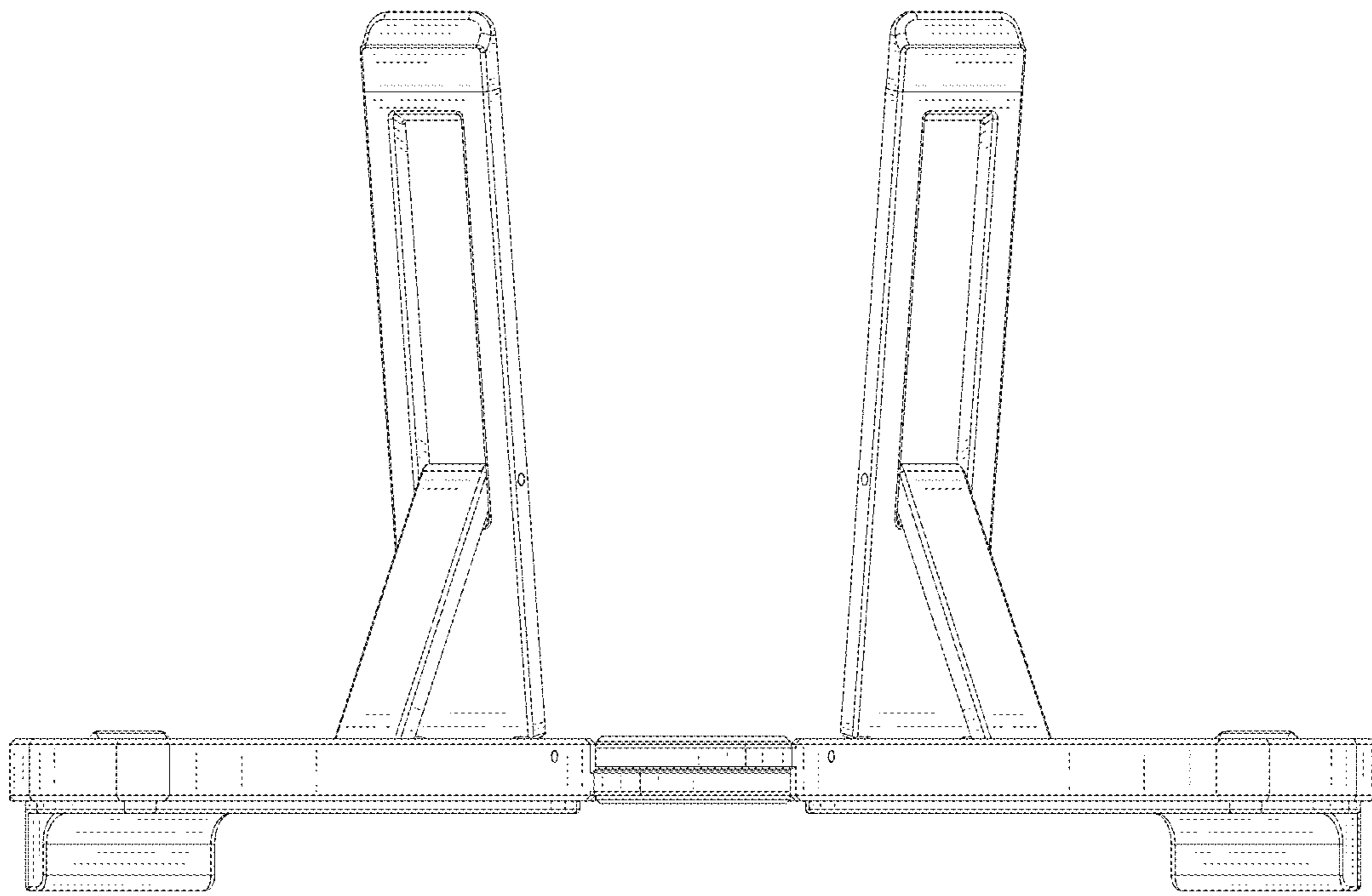


FIG. 7



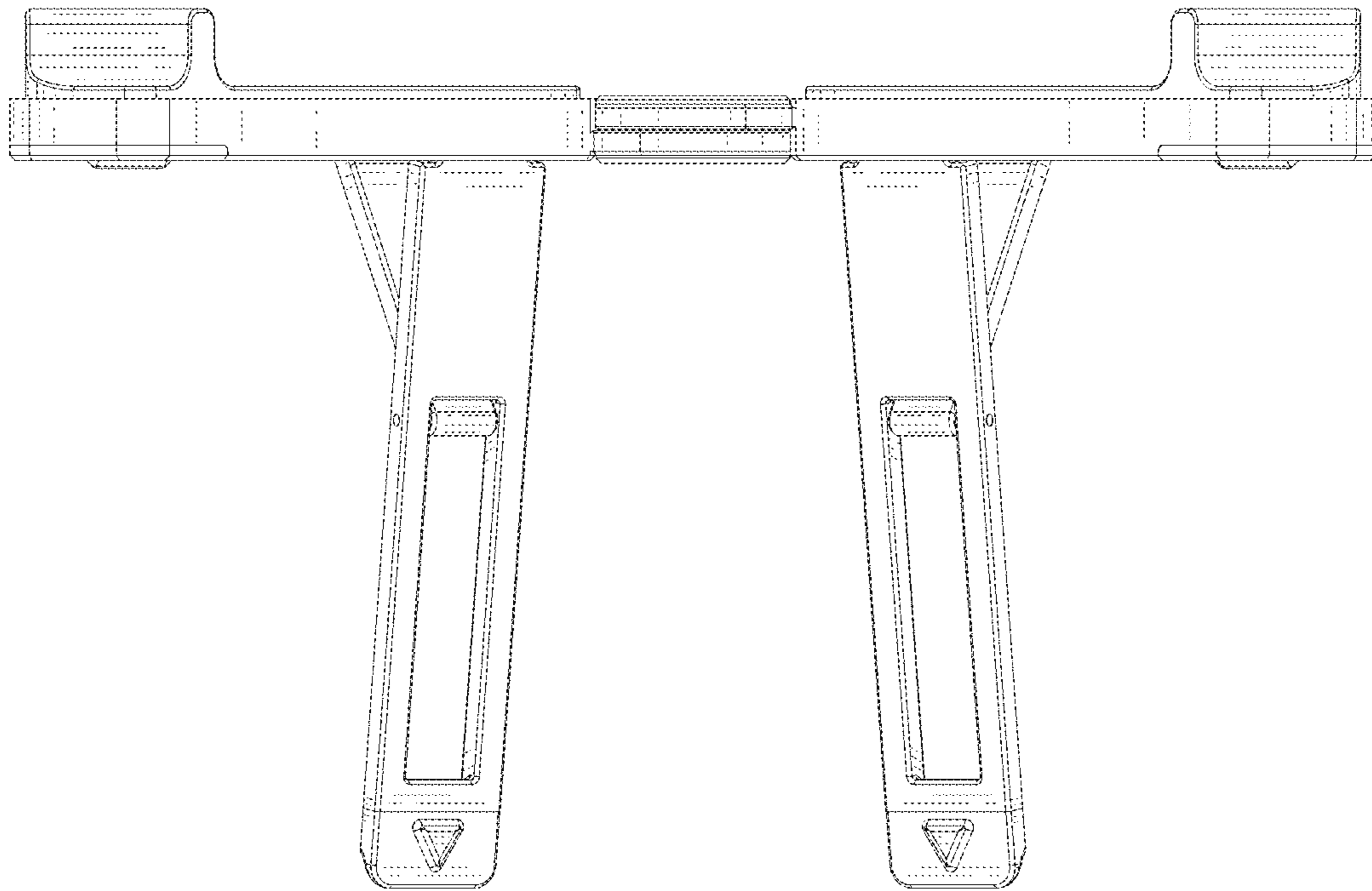


FIG. 8

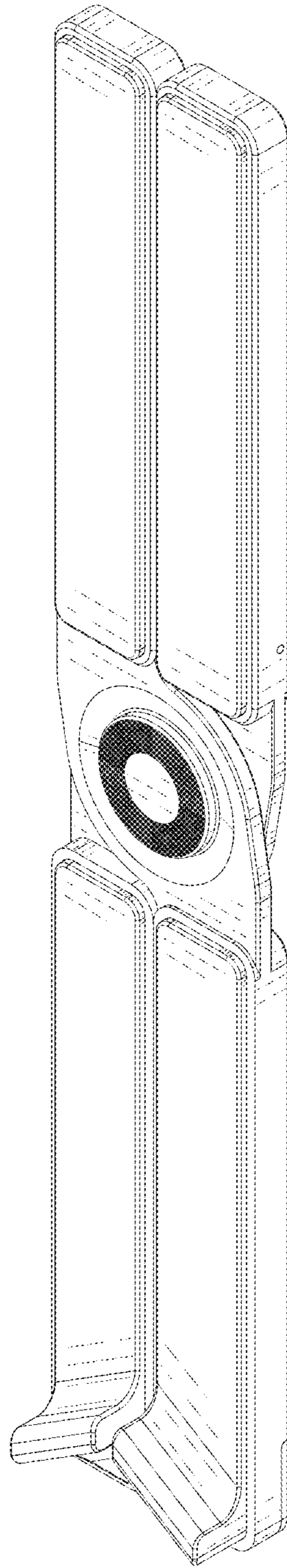


FIG. 9

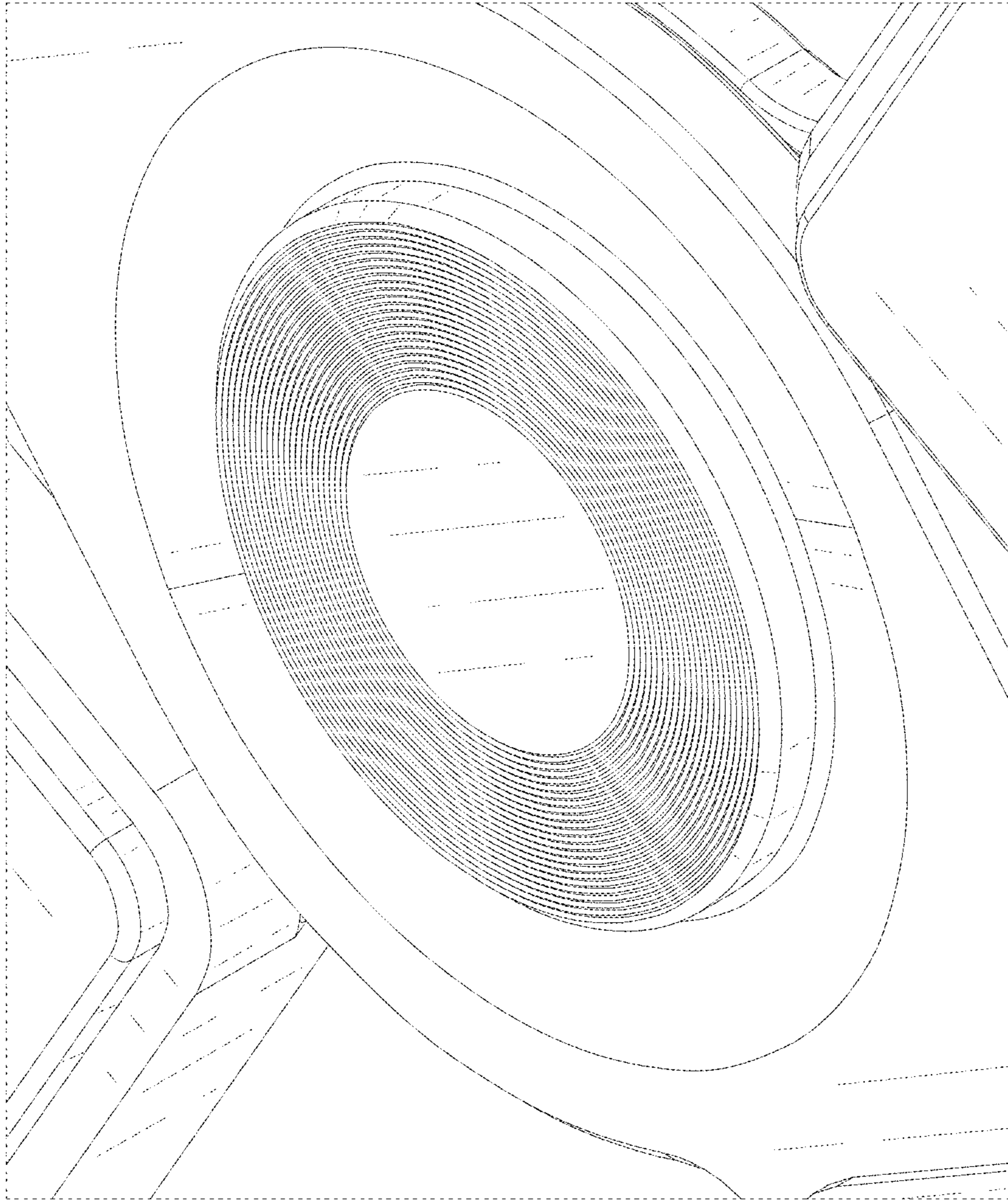


FIG. 10