



US00D984452S

(12) **United States Design Patent**  
**Sun**

(10) **Patent No.:** **US D984,452 S**

(45) **Date of Patent:** **\*\* Apr. 25, 2023**

(54) **PROTECTIVE CASE FOR TABLET  
COMPUTER**

2017/0346523 A1\* 11/2017 Nyholm ..... A45C 11/00  
2019/0356350 A1\* 11/2019 Nyholm ..... A45C 11/00  
2020/0343925 A1\* 10/2020 Huang ..... A45C 11/00

(71) Applicant: **Miao Sun**, Nanyang (CN)

FOREIGN PATENT DOCUMENTS

(72) Inventor: **Miao Sun**, Nanyang (CN)

EM 008158505-0001 \* 9/2020

(\*\*) Term: **15 Years**

OTHER PUBLICATIONS

(21) Appl. No.: **29/785,721**

ProElite Hybrid Detachable Magnetic Case Cover, posted Oct. 6, 2021 [online], [retrieved Oct. 19, 2022]. Retrieved from internet, <https://www.amazon.in/ProElite-Detachable-Magnetic-Generation-Transparent/dp/B097386Y47?th=1> (Year: 2021).\*

(22) Filed: **May 27, 2021**

(51) **LOC (14) Cl.** ..... **14-02**

(52) **U.S. Cl.**  
USPC ..... **D14/440**

\* cited by examiner

(58) **Field of Classification Search**  
USPC ..... D14/315, 318, 324, 328, 341, 344, 345,  
D14/389, 392, 440, 444, 445, 446, 250;  
D19/26, 62; D3/247, 290, 299, 206  
CPC ..... A45C 2011/002; A45C 2011/003; A45C  
2200/15; A45F 2200/0516; A45F  
2200/525; G06F 1/1628; G06F 1/1632;  
G06F 1/1669; G06F 2200/1633; H04B  
1/3888; H04M 1/185

*Primary Examiner* — Bridget L Eland  
*Assistant Examiner* — Josiah D. Parsons

See application file for complete search history.

(57) **CLAIM**

The ornamental design for a protective case for tablet computer, as shown and described.

(56) **References Cited**

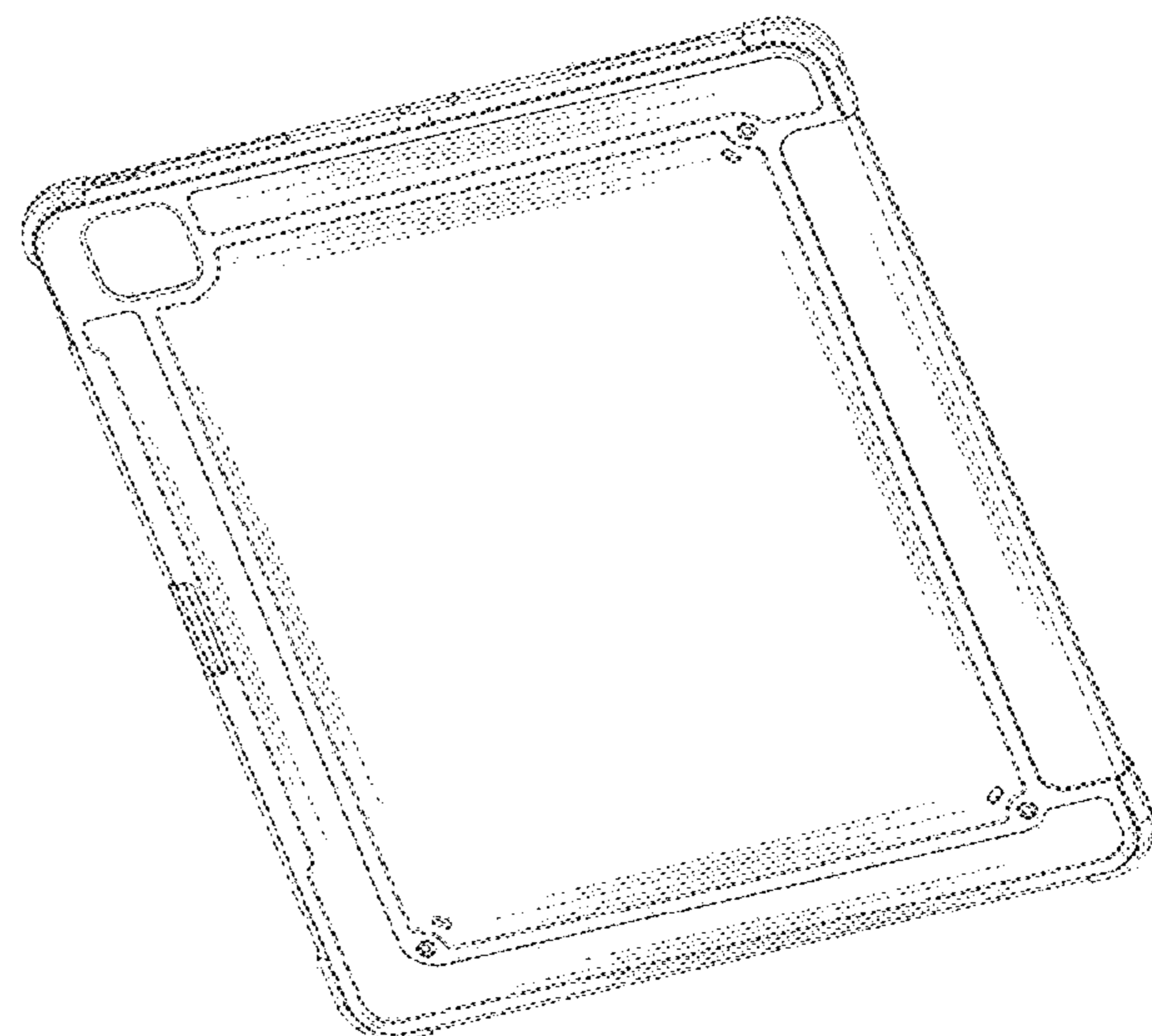
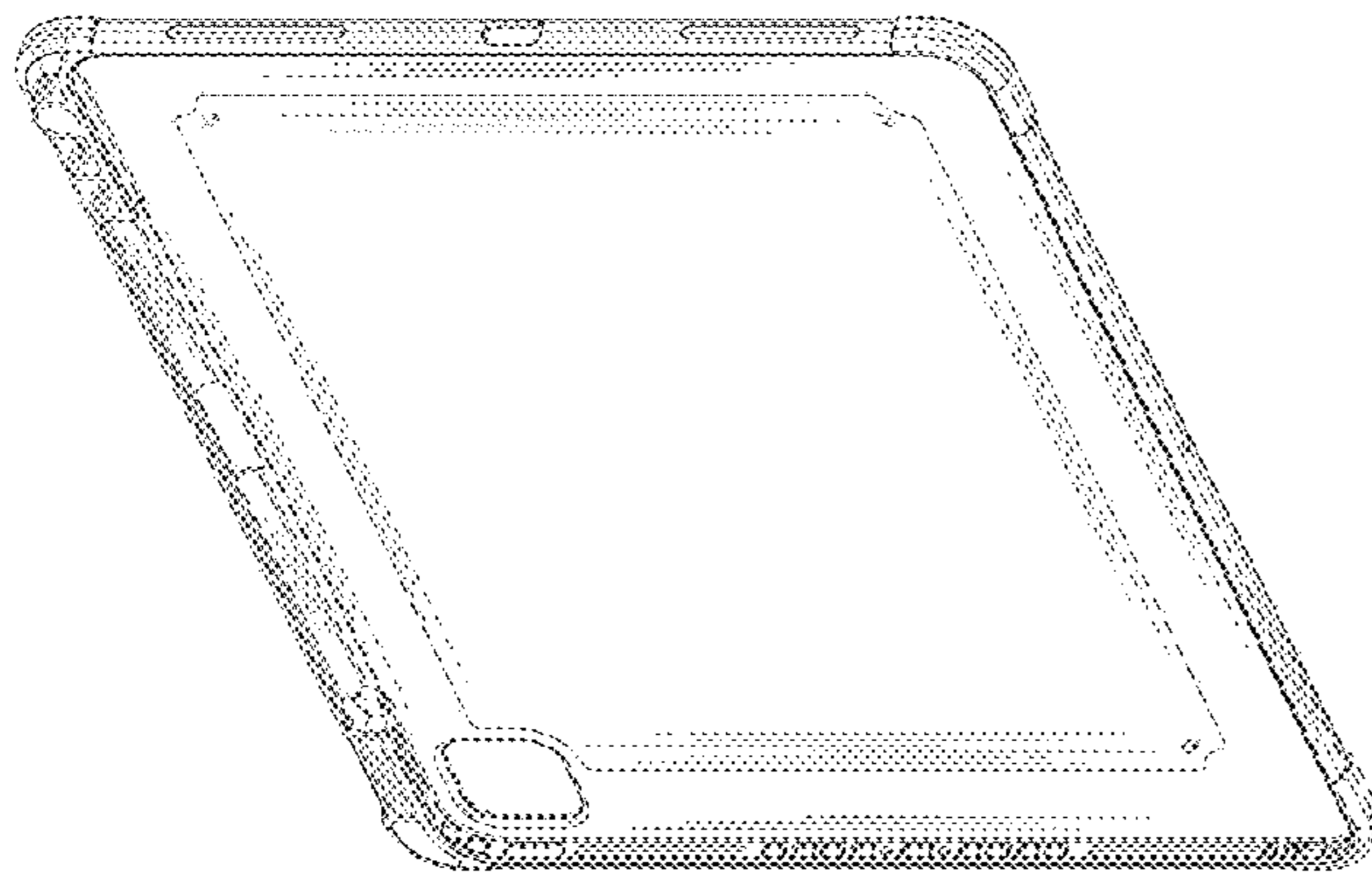
U.S. PATENT DOCUMENTS

9,241,053 B2\* 1/2016 Ashley ..... G06F 1/1626  
D812,621 S \* 3/2018 Nyholm ..... D14/440  
D838,275 S \* 1/2019 Nyholm ..... D14/440  
D906,341 S \* 12/2020 Jiao ..... D14/440  
D964,362 S \* 9/2022 Zhu ..... D14/440

**DESCRIPTION**

FIG. 1 is a front perspective view of a protective case for tablet computer showing my new design;  
FIG. 2 is a front elevation view thereof;  
FIG. 3 is a rear elevation view thereof;  
FIG. 4 is a left side elevation view thereof;  
FIG. 5 is a right side elevation view thereof;  
FIG. 6 is a top plan view thereof;  
FIG. 7 is a bottom plan view thereof; and,  
FIG. 8 is a rear perspective view thereof.

**1 Claim, 8 Drawing Sheets**



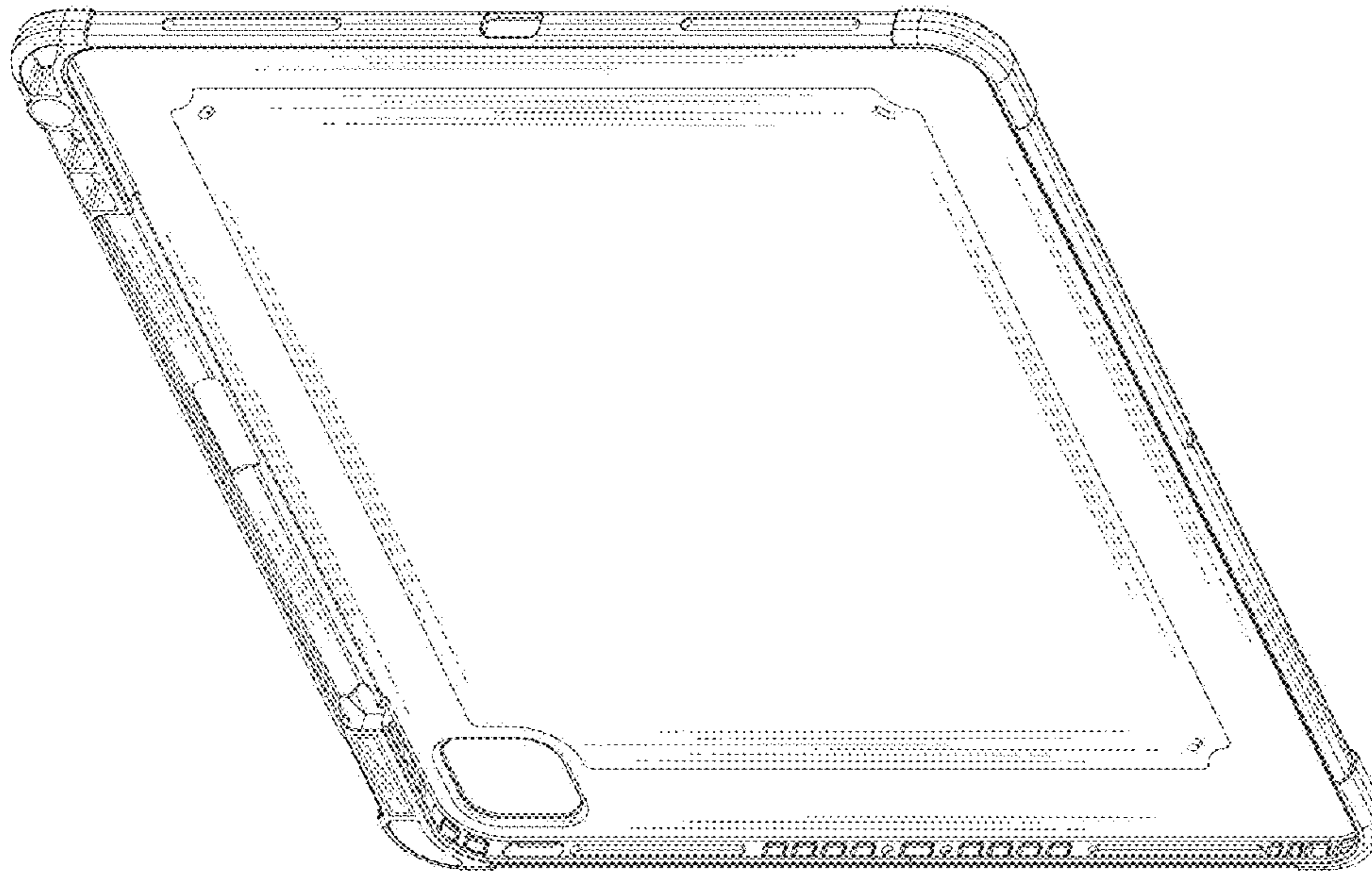


FIG. 1

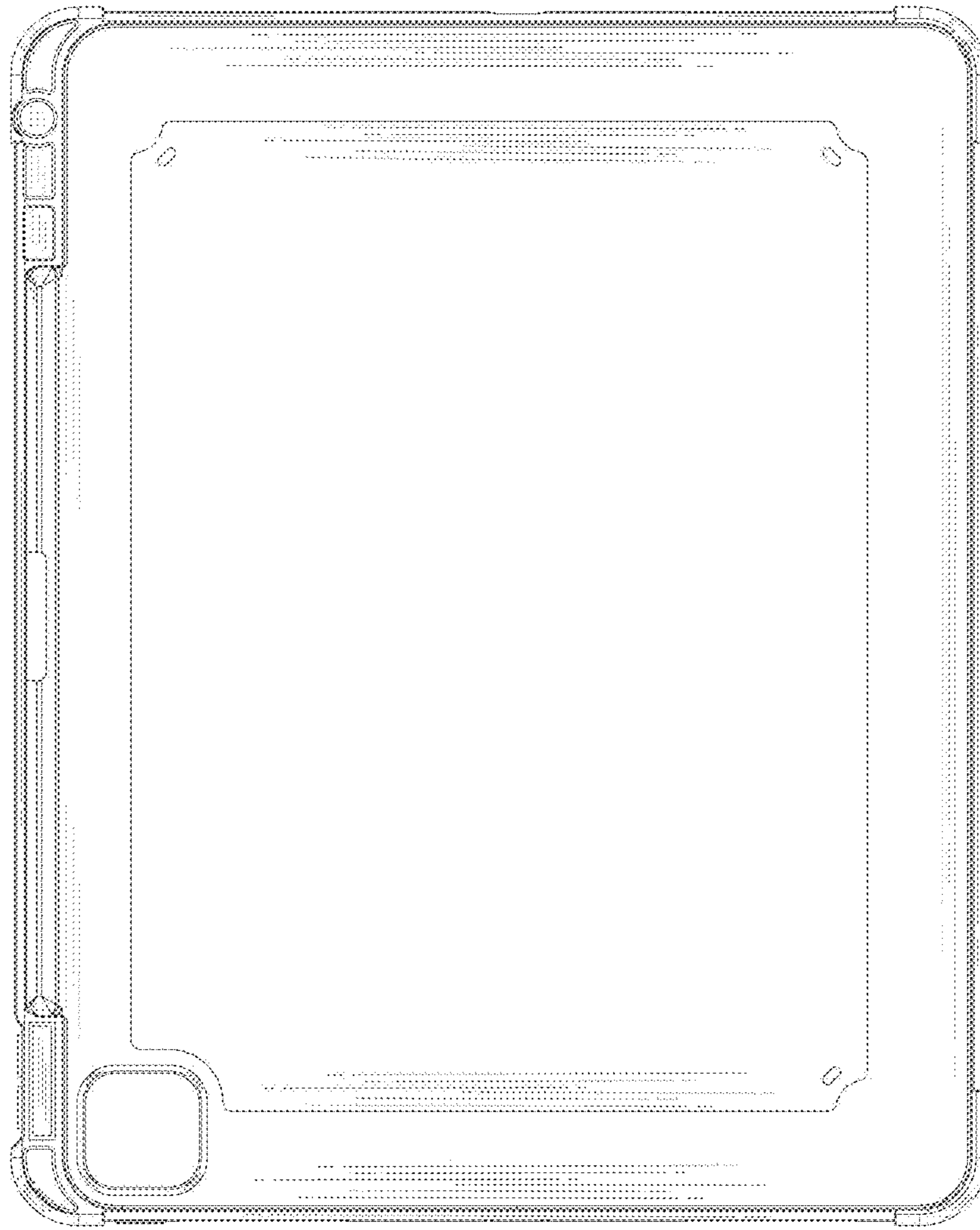


FIG. 2

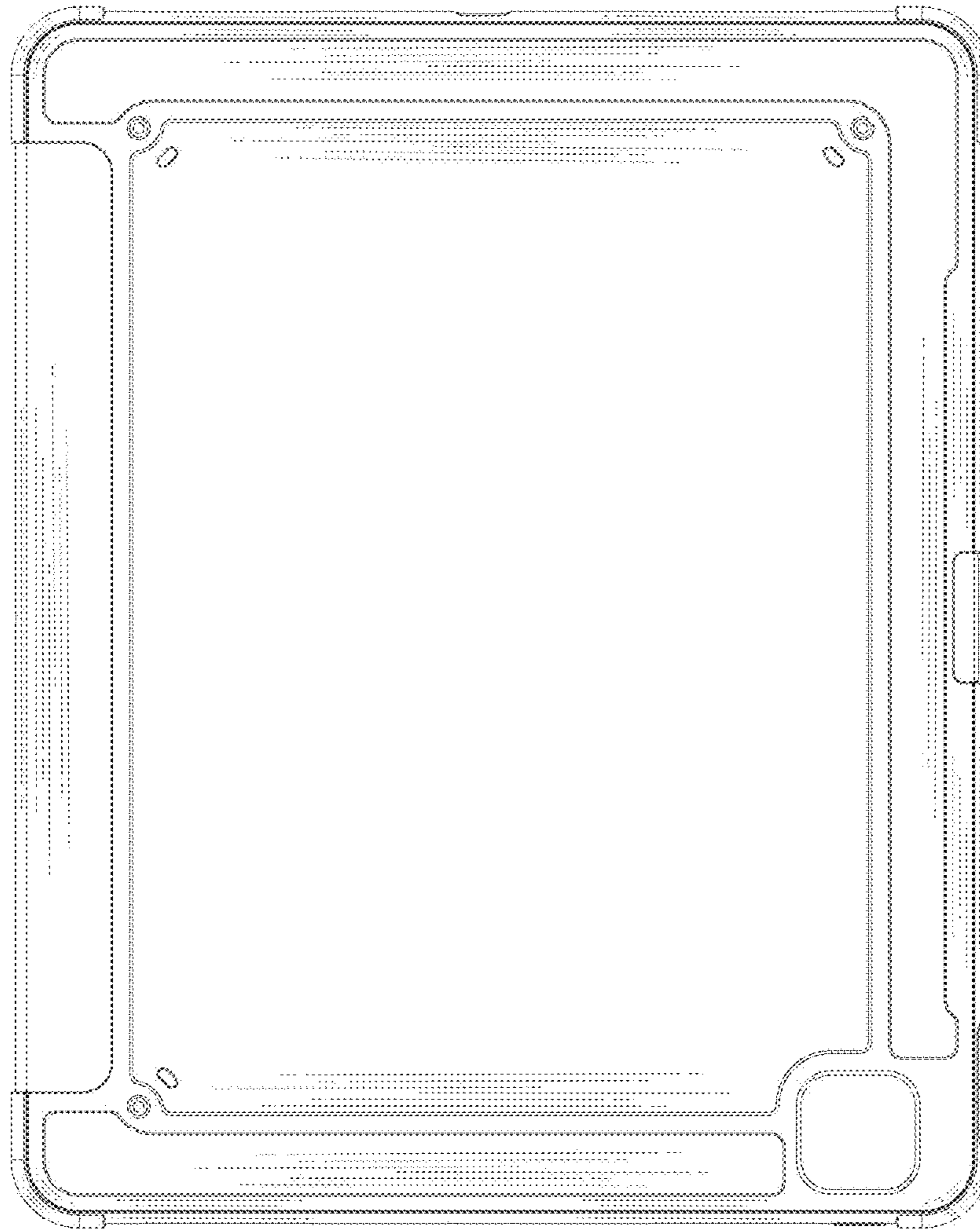


FIG. 3



FIG. 4



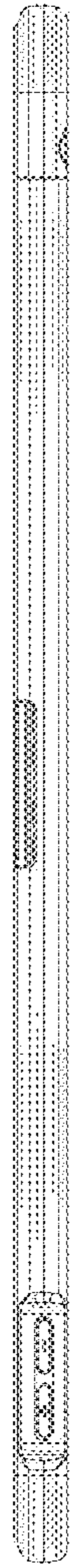


FIG. 5

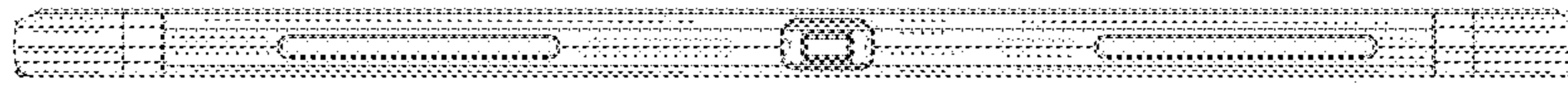


FIG. 6

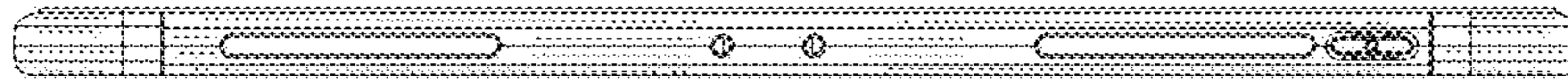


FIG. 7



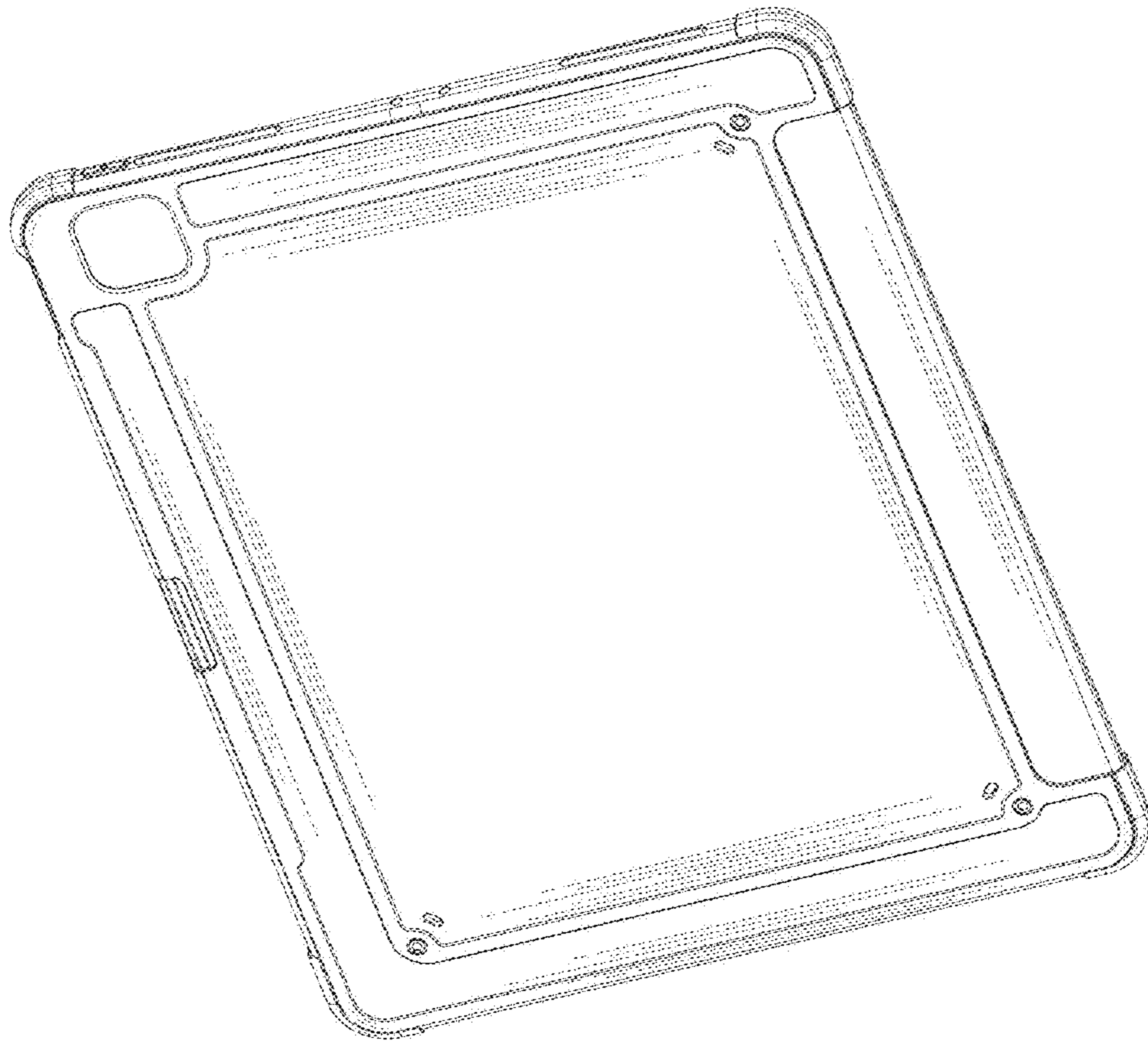


FIG. 8