



US00D984451S

(12) **United States Design Patent**
Han et al.

(10) **Patent No.:** **US D984,451 S**
(45) **Date of Patent:** **** Apr. 25, 2023**

(54) **ELECTRONIC DEVICE COVER**

(74) *Attorney, Agent, or Firm* — Lee & Hayes, P.C.

(71) Applicant: **Amazon Technologies, Inc.**, Seattle, WA (US)

(57) **CLAIM**

The ornamental design for an electronic device cover, as shown and described.

(72) Inventors: **Sun Joo Han**, San Francisco, CA (US); **Paul Gregory Van Gasse**, Sunnyvale, CA (US); **Jeffrey Infante**, Millbrae, CA (US)

DESCRIPTION

(73) Assignee: **Amazon Technologies, Inc.**, Seattle, WA (US)

FIG. 1 is a top, back perspective view of a first embodiment of an electronic device cover;

(**) Term: **15 Years**

FIG. 2 is a top, front perspective view thereof;

(21) Appl. No.: **29/759,484**

FIG. 3 is a front view thereof;

(22) Filed: **Nov. 23, 2020**

FIG. 4 is a back view thereof;

(51) **LOC (14) Cl.** **14-02**

FIG. 5 is a right-side view thereof;

(52) **U.S. Cl.**

FIG. 6 is a left-side view thereof;

USPC **D14/440**

FIG. 7 is a top view thereof;

(58) **Field of Classification Search**

FIG. 8 is a bottom view thereof;

USPC D14/440, 447, 250, 316; 361/679.55; 206/45.23, 320, 45.2; 294/25; 455/575.8; D3/289, 301, 283, 265, 243, D3/249, 294, 284, 274, 303, 266, 203.1, D3/315, 276

FIG. 9 is a top, back perspective view of a second embodiment of an electronic device cover;

CPC ... G06F 1/1628; G06F 1/1626; A47B 23/044; A45C 11/00; A45C 13/02; H04B 1/3888

FIG. 10 is a top, front perspective view thereof;

See application file for complete search history.

FIG. 11 is a front view thereof;

(56) **References Cited**

U.S. PATENT DOCUMENTS

FIG. 12 is a back view thereof;

D694,246 S	*	11/2013	Park	D14/440
D752,052 S	*	3/2016	Park	D14/440
D762,060 S	*	7/2016	Adio	D3/243
D784,350 S	*	4/2017	Li	D14/440
D863,313 S	*	10/2019	Li	D14/440
D898,035 S	*	10/2020	Xu	D14/440
D906,336 S	*	12/2020	Li	D14/440

FIG. 13 is a right-side view thereof;

(Continued)

FIG. 14 is a left-side view thereof;

FIG. 15 is a top view thereof;

FIG. 16 is a bottom view thereof;

FIG. 17 is a top, back perspective view of a third embodiment of an electronic device cover;

FIG. 18 is a top, front perspective view thereof;

FIG. 19 is a front view thereof;

FIG. 20 is a back view thereof;

FIG. 21 is a right-side view thereof;

FIG. 22 is a left-side view thereof;

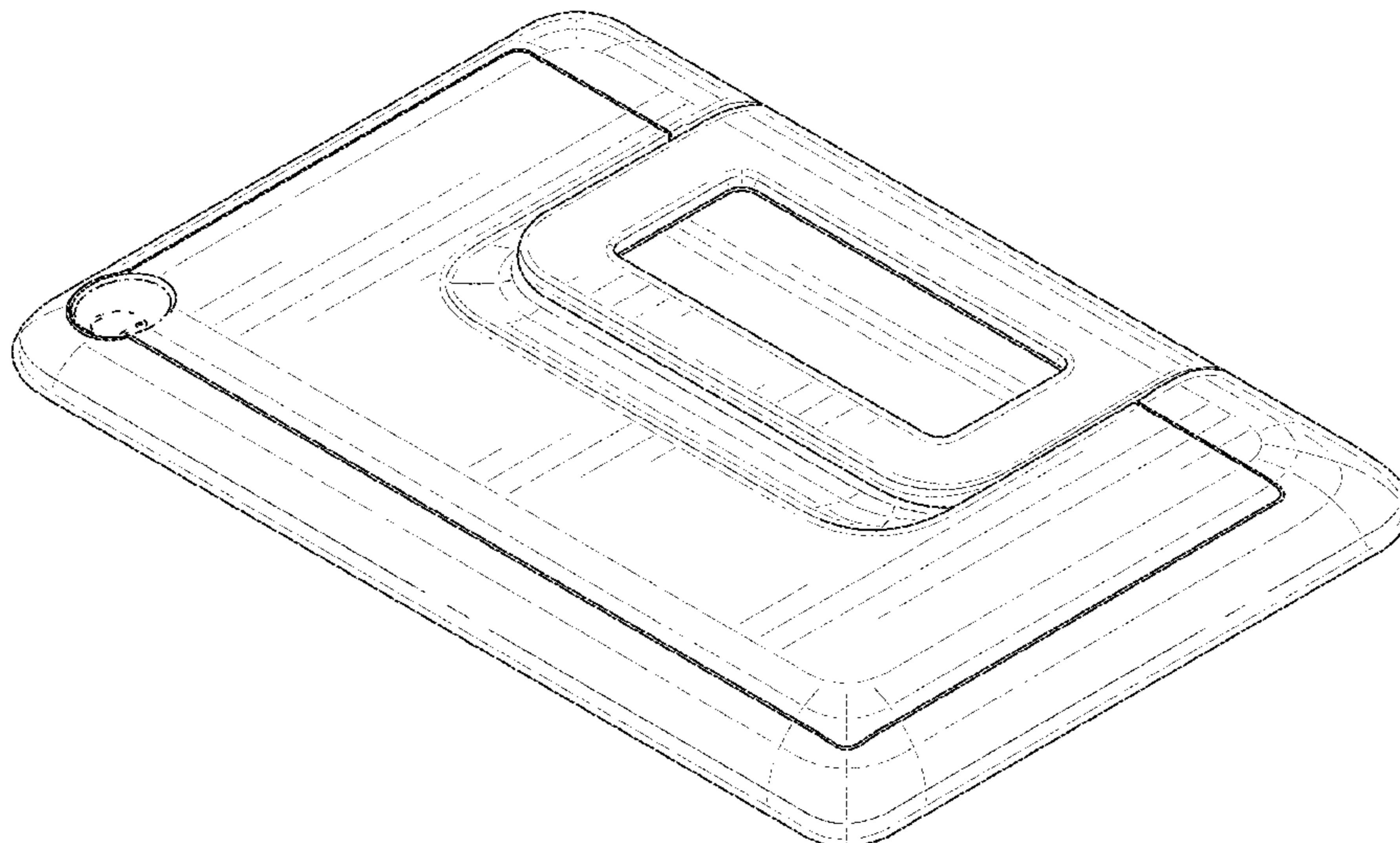
FIG. 23 is a top view thereof; and,

FIG. 24 is a bottom view thereof.

The dashed broken lines depict portions of the electronic device cover that form no part of the claimed design. The dot-dashed broken lines represent boundaries of the claimed electronic device cover and form no part of the claimed design.

Primary Examiner — Cynthia R Underwood

1 Claim, 24 Drawing Sheets



(56)

References Cited

U.S. PATENT DOCUMENTS

D921,638 S *	6/2021	Li	D14/440
D937,273 S *	11/2021	Wei	D14/440
D962,949 S *	9/2022	Xu	D14/440
D967,114 S *	10/2022	Piper	D14/440

* cited by examiner

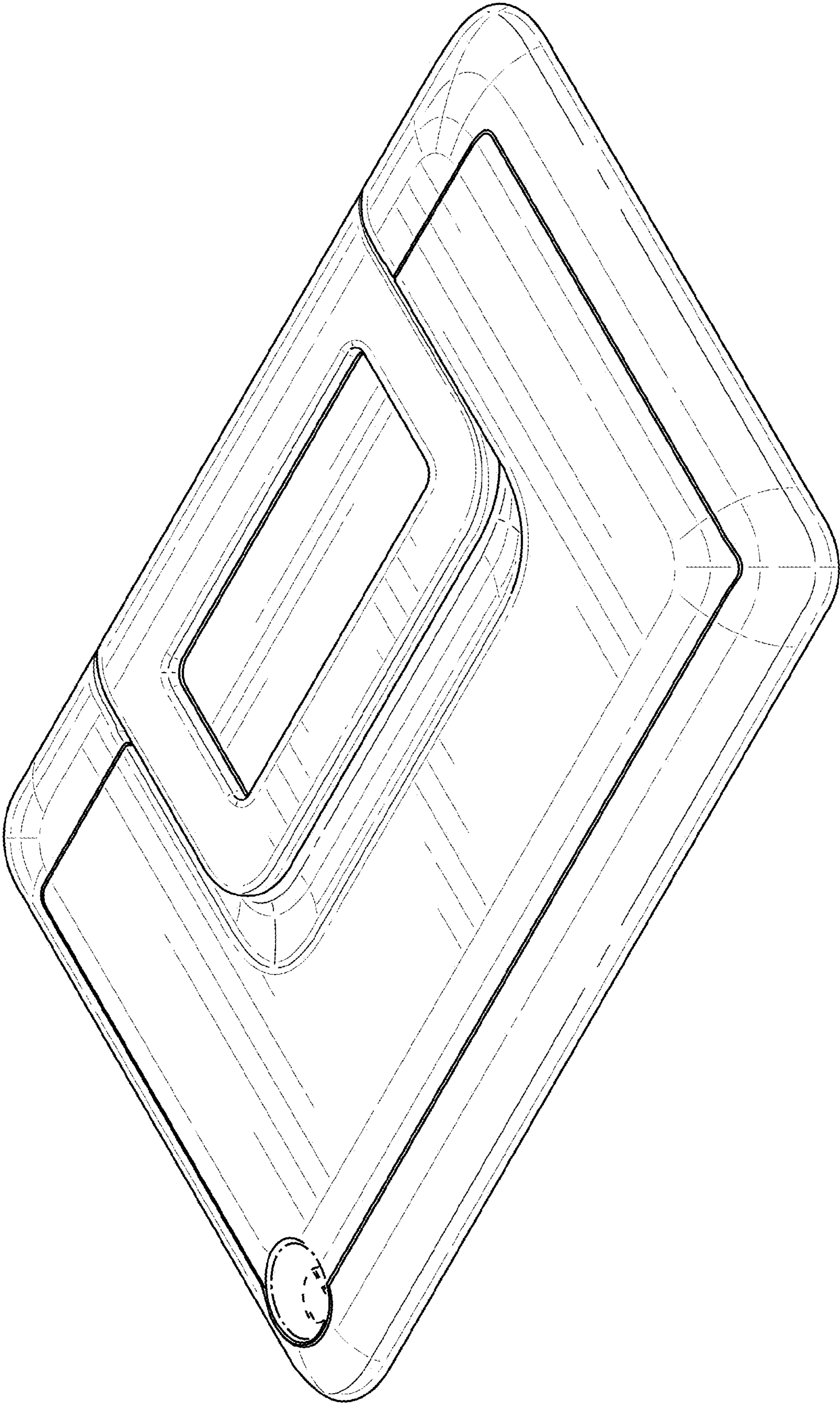


FIG. 1

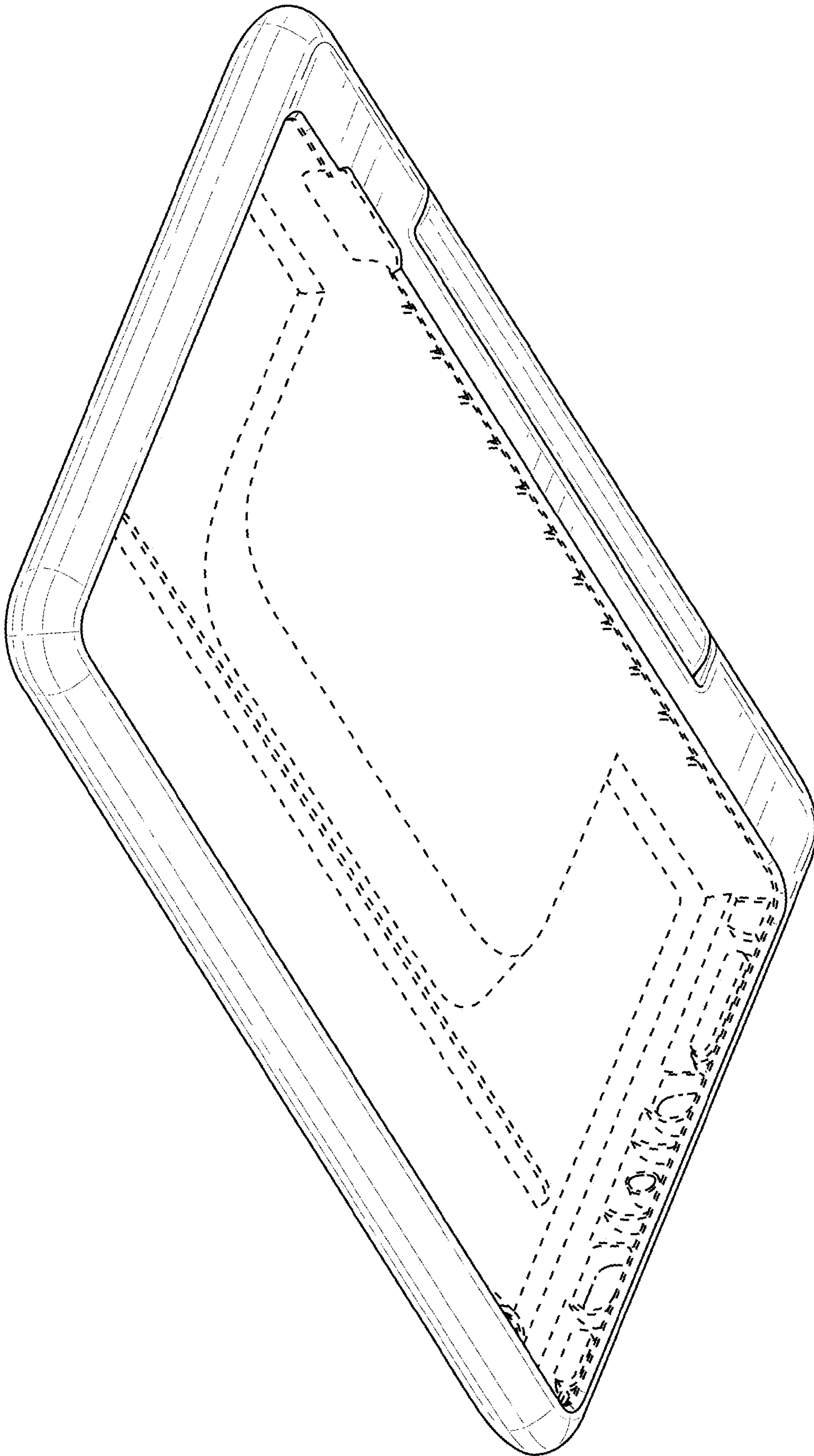


FIG. 2

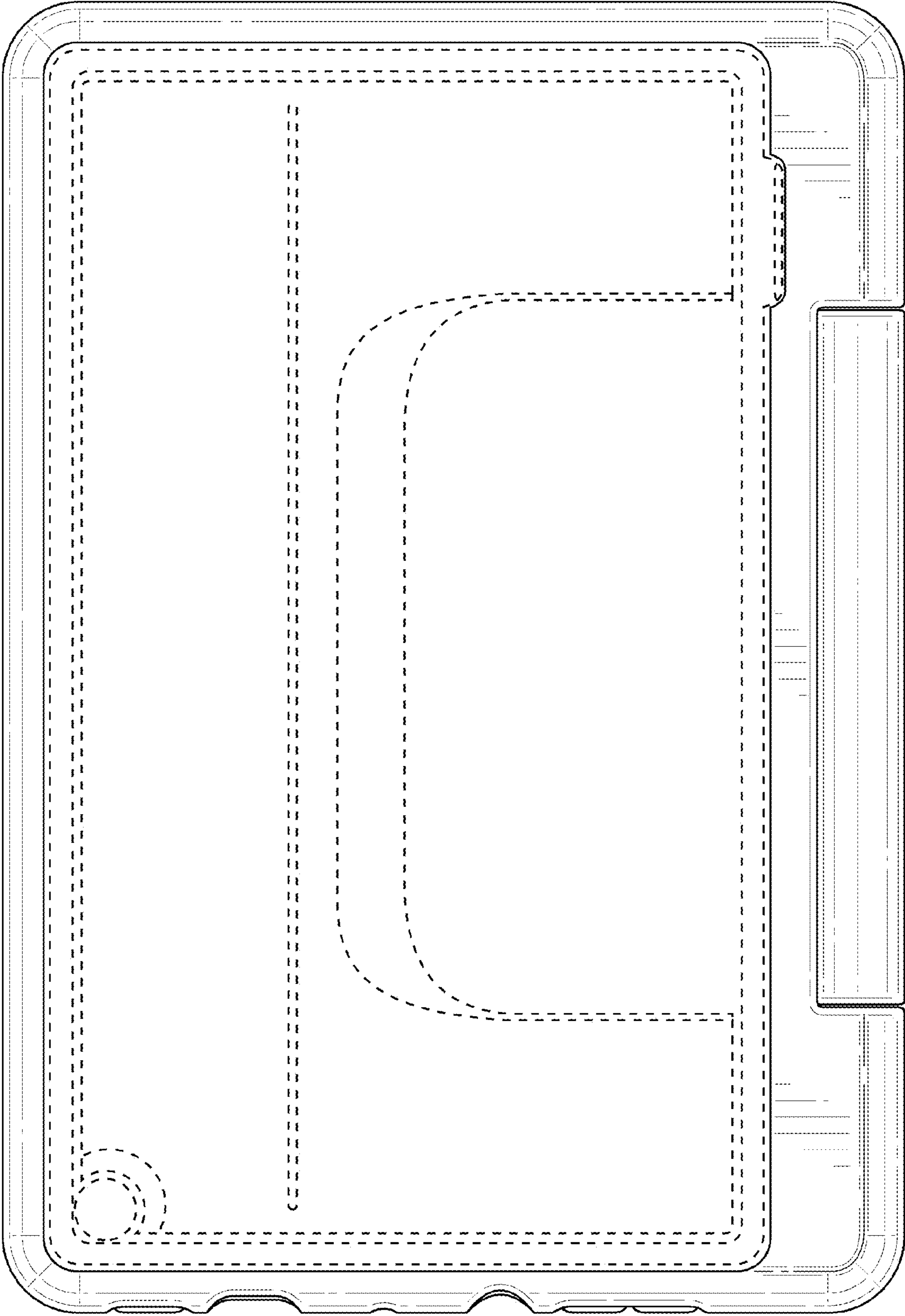


FIG. 3

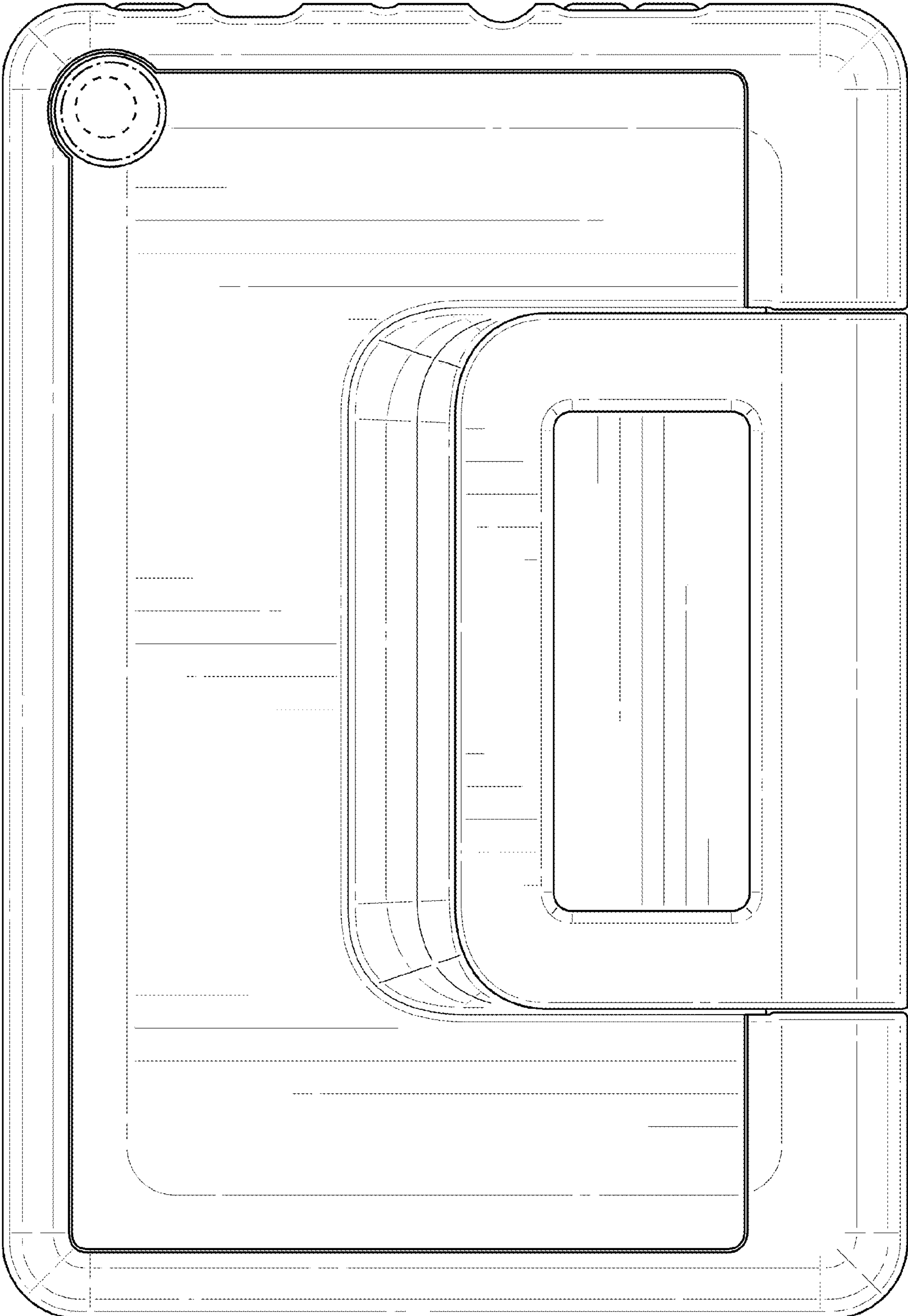


FIG. 4

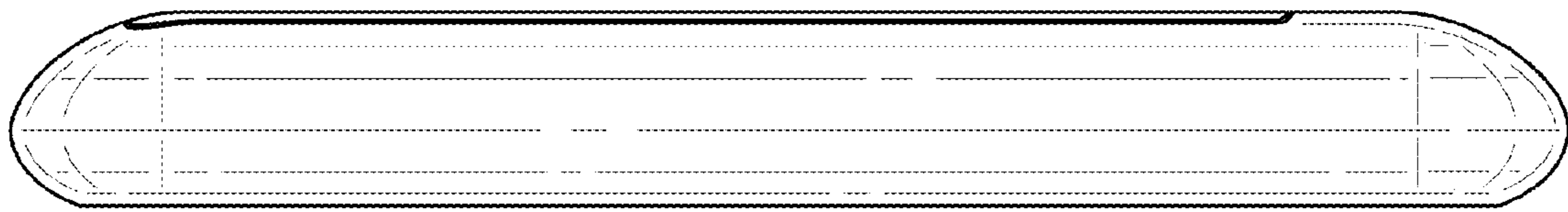


FIG. 5

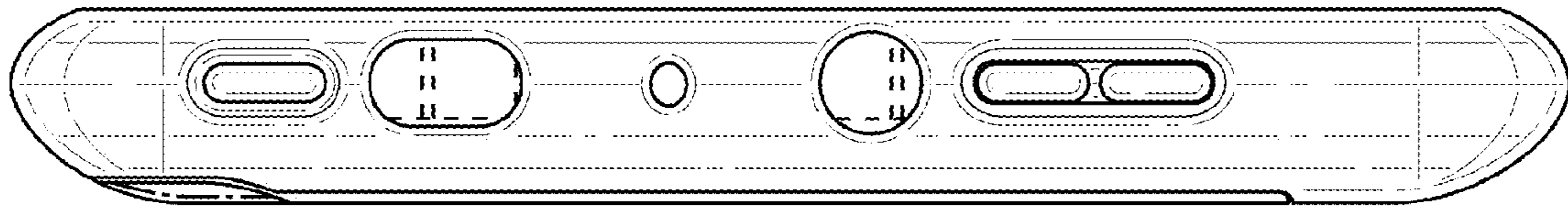


FIG. 6

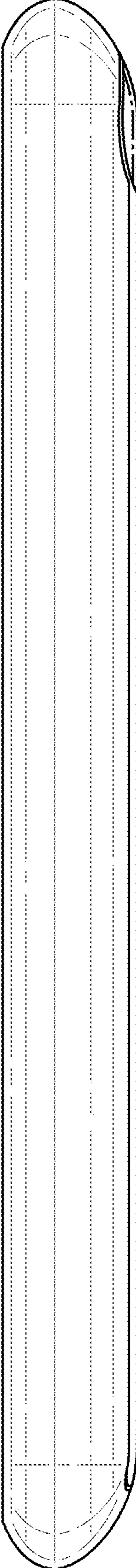


FIG. 7

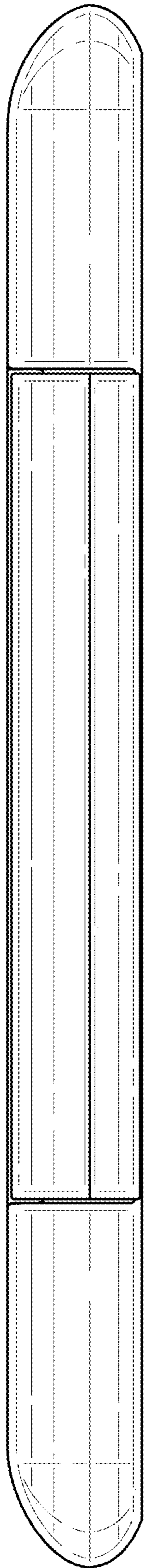


FIG. 8

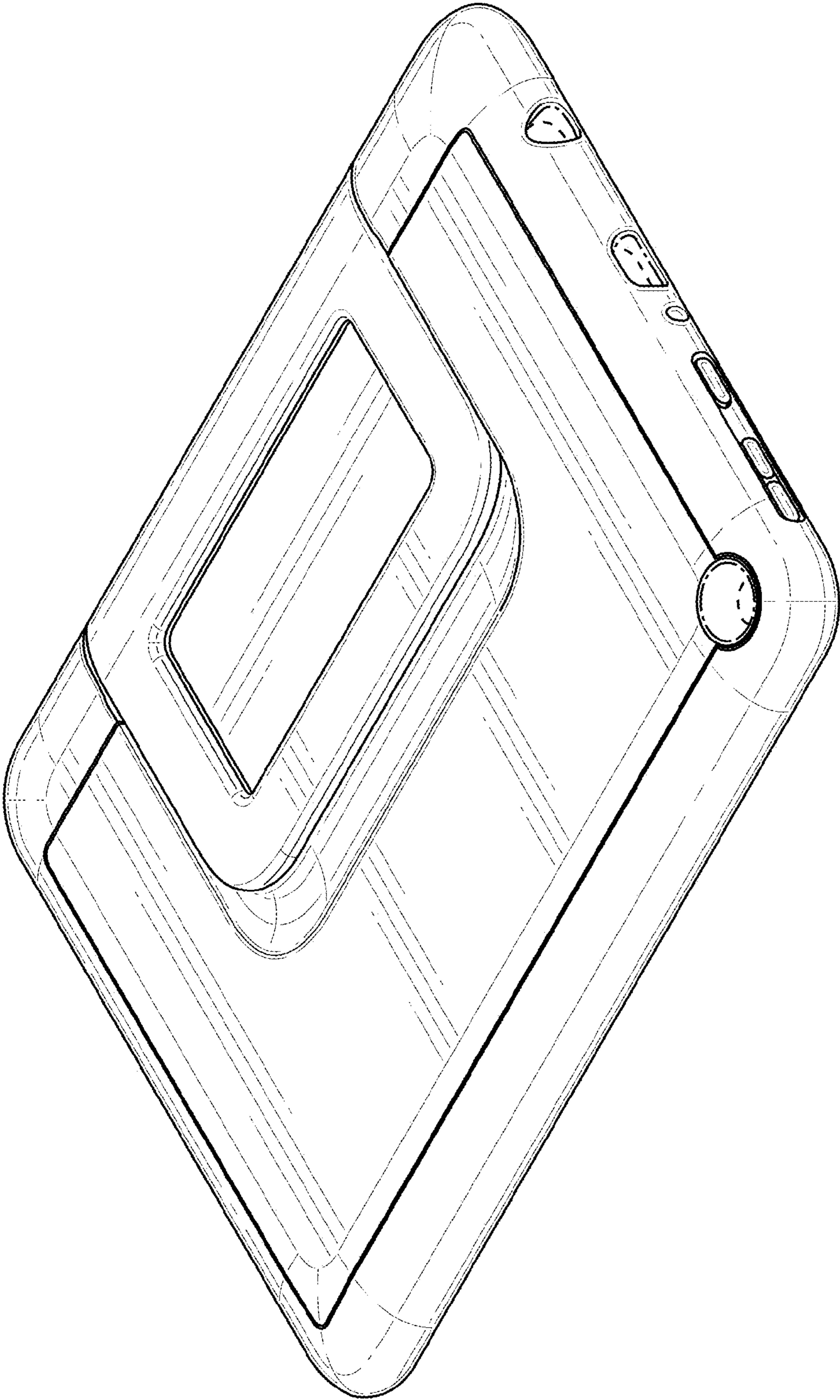


FIG. 9

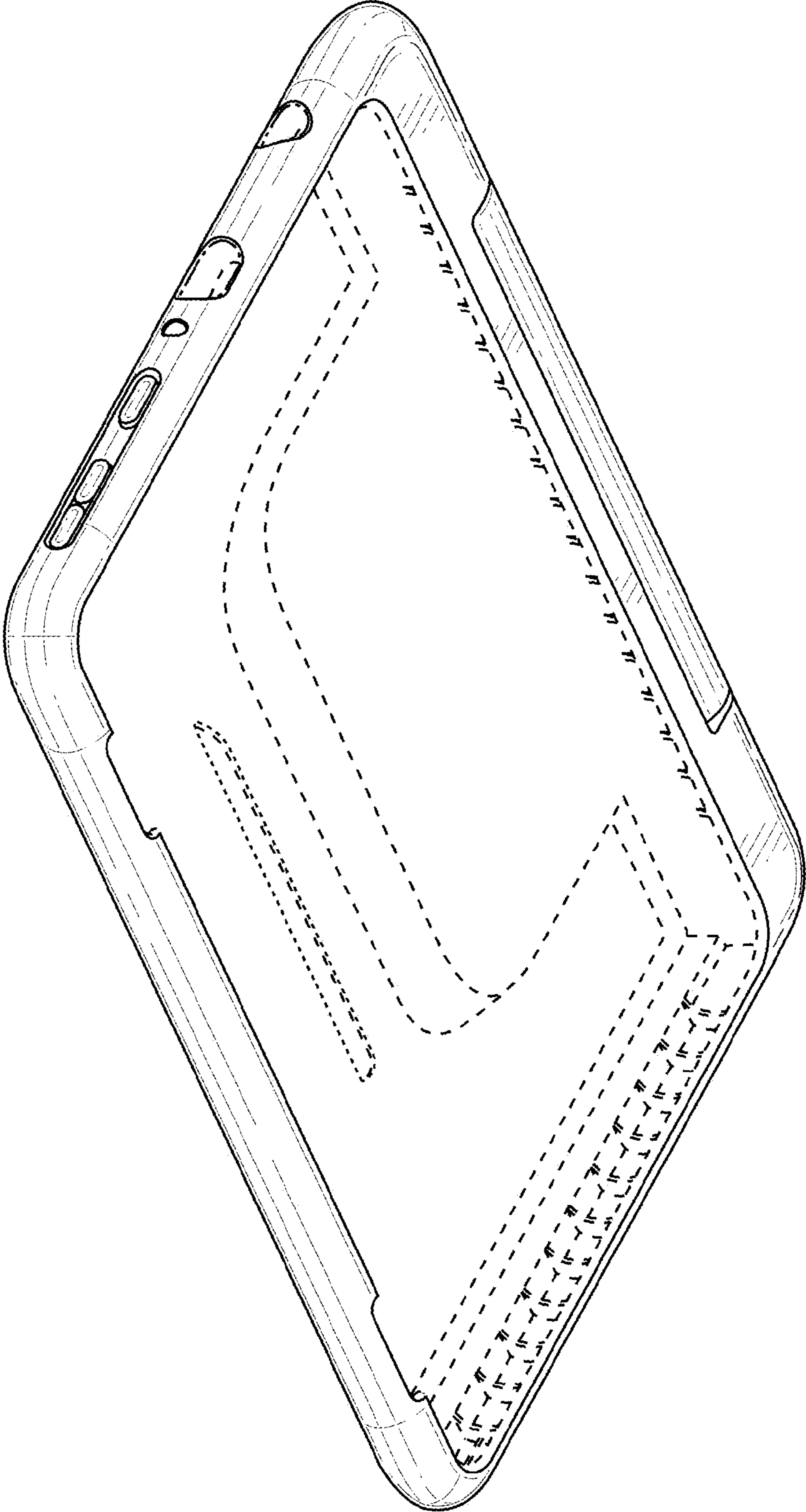


FIG. 10

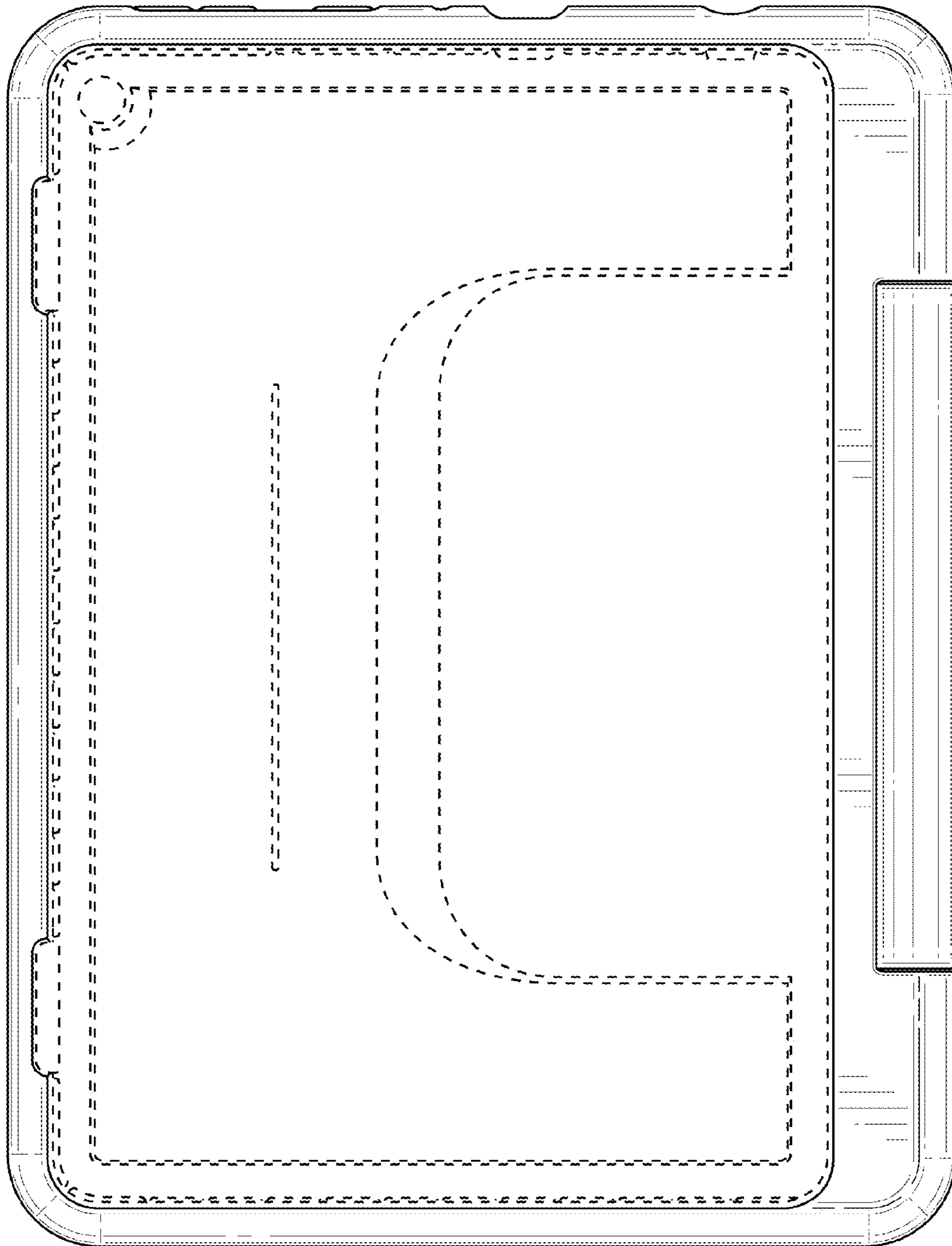


FIG. 11

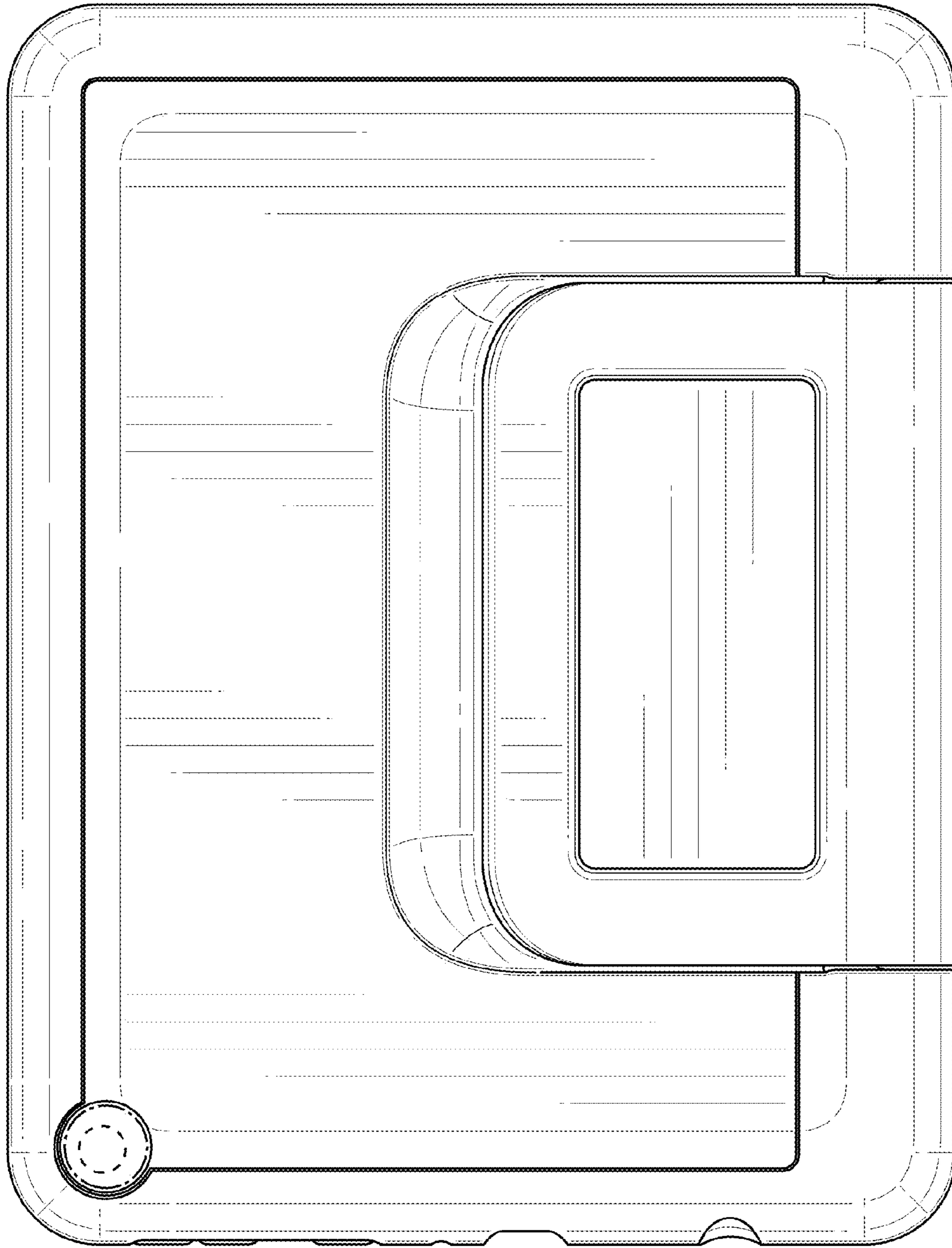


FIG. 12

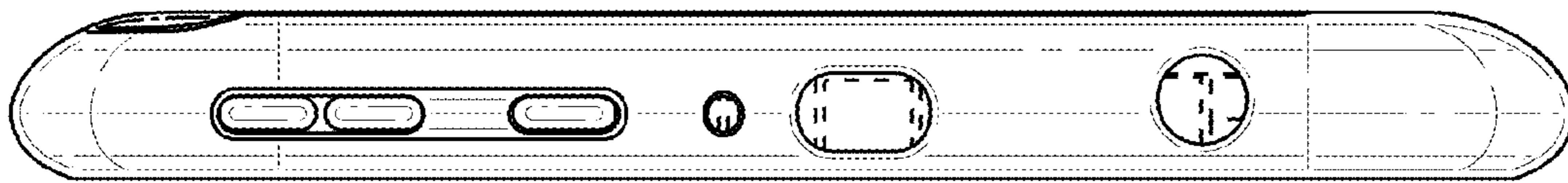


FIG. 13

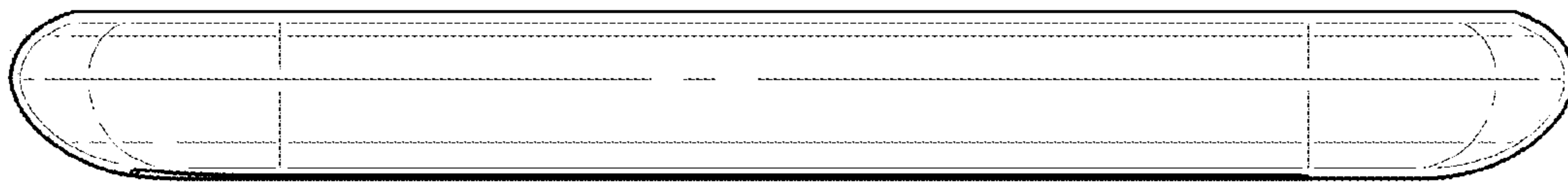


FIG. 14

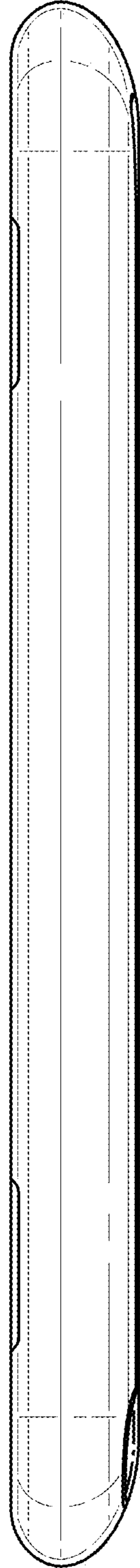


FIG. 15

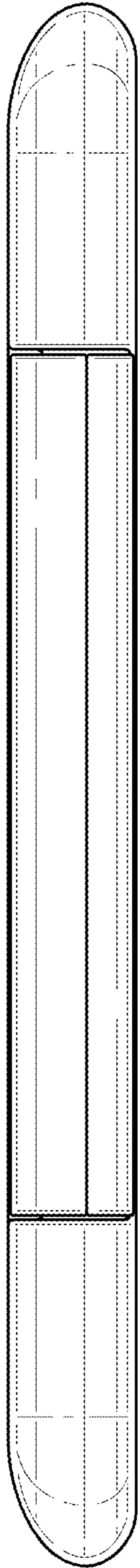


FIG. 16

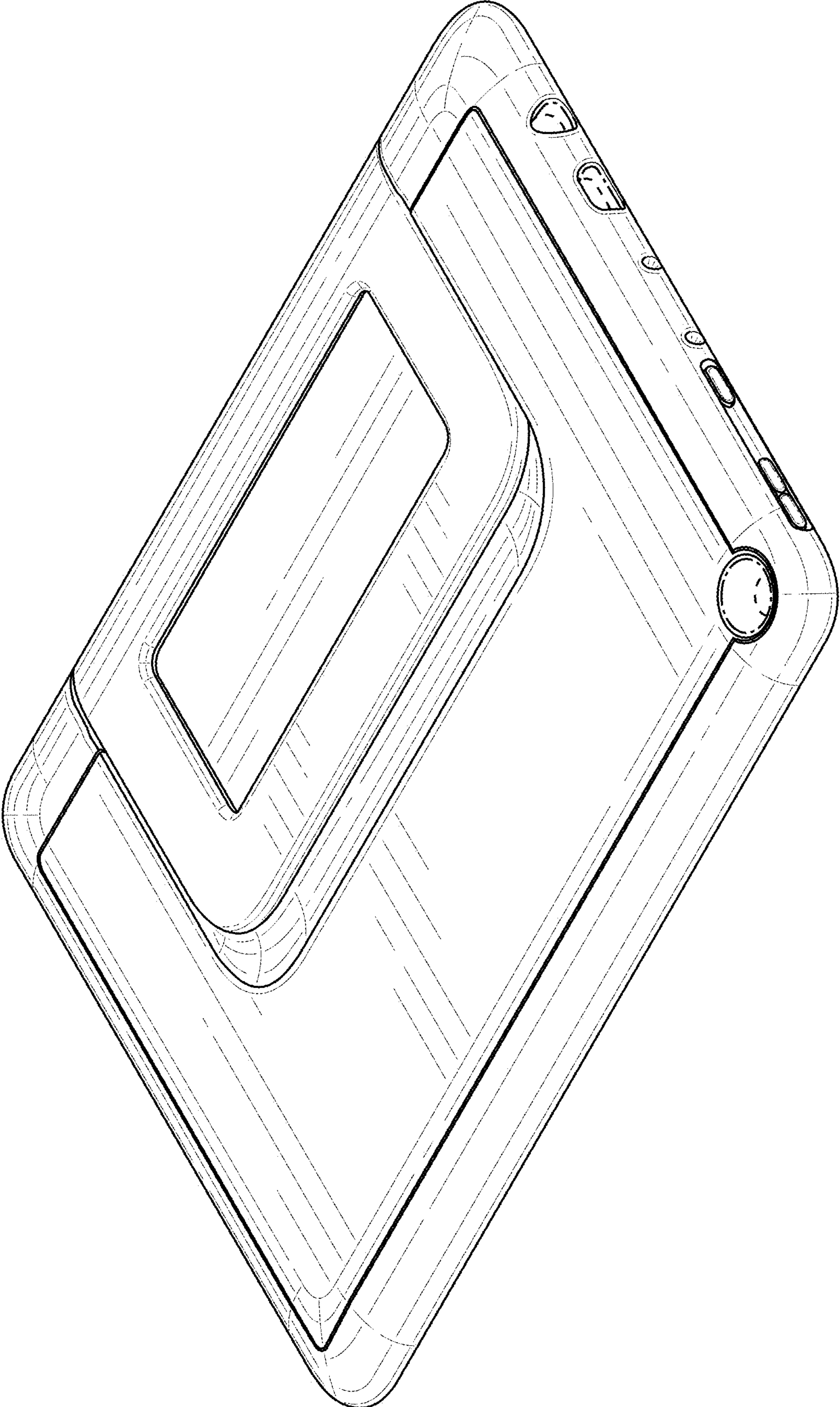


FIG. 17

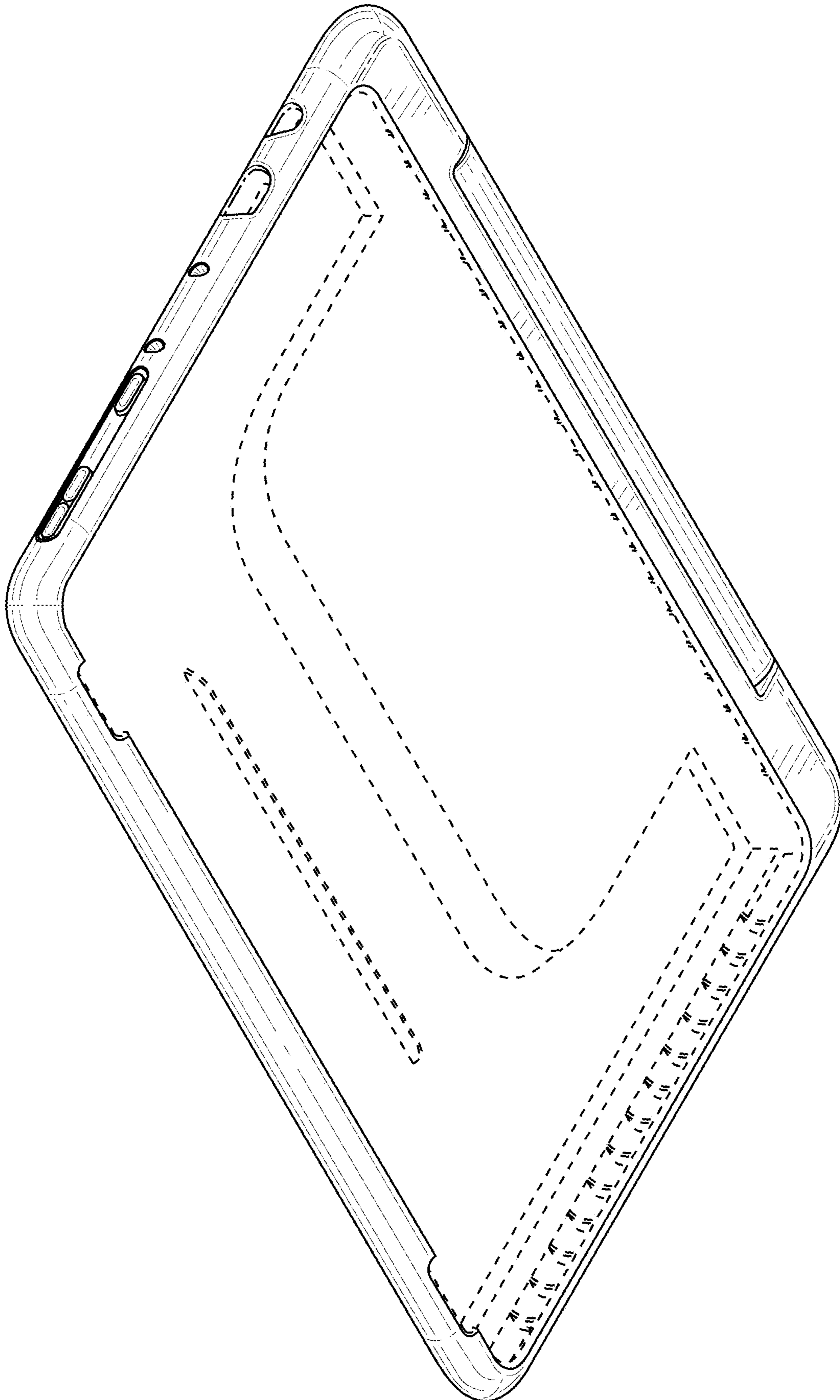


FIG. 18

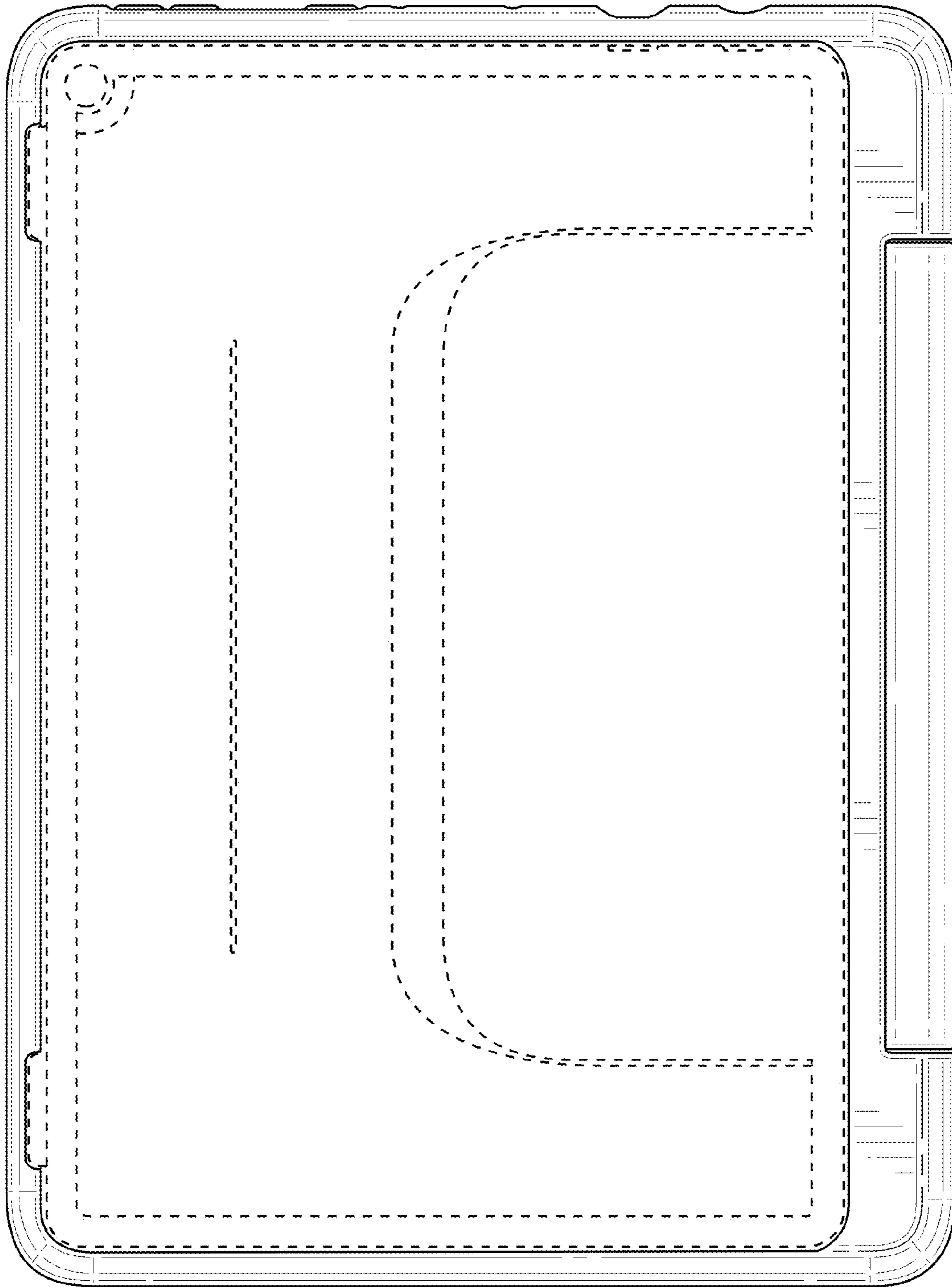


FIG. 19

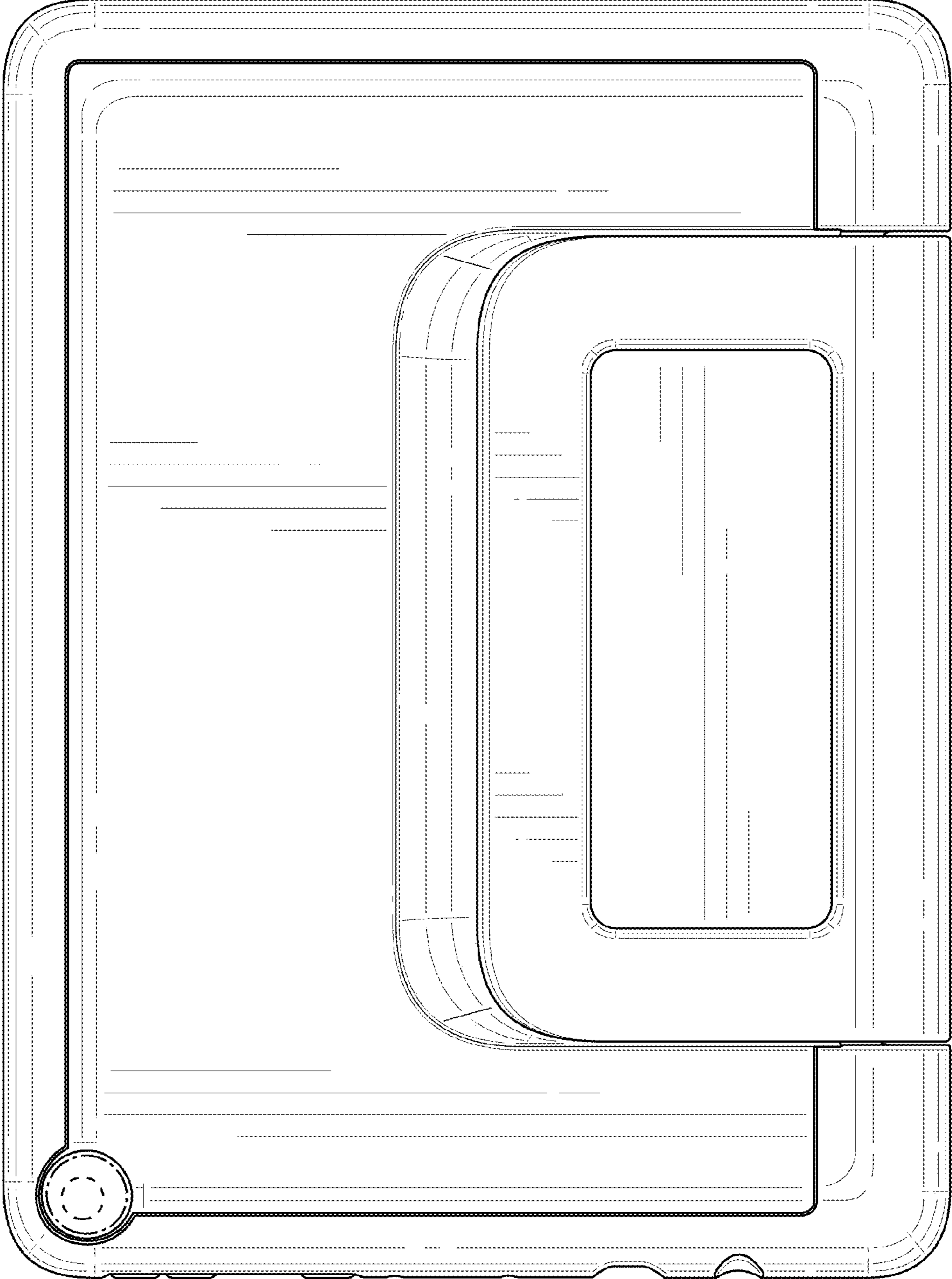


FIG. 20

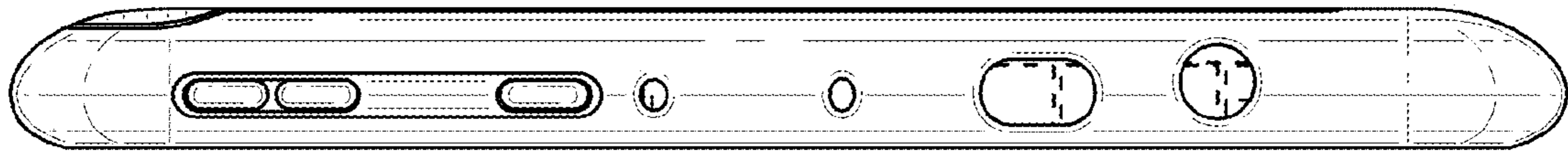


FIG. 21

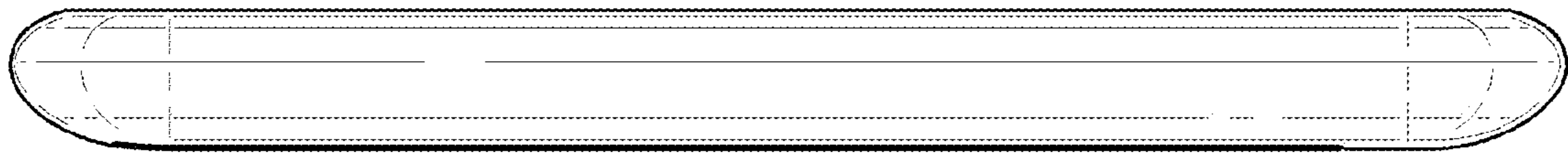


FIG. 22

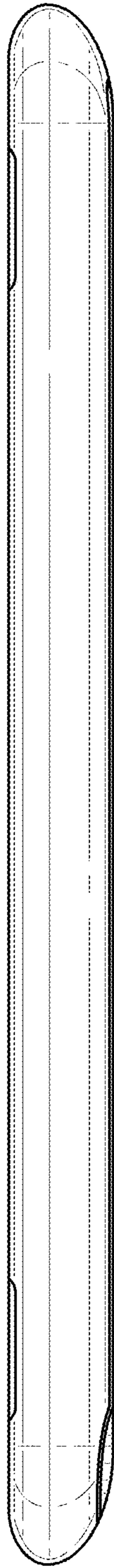


FIG. 23

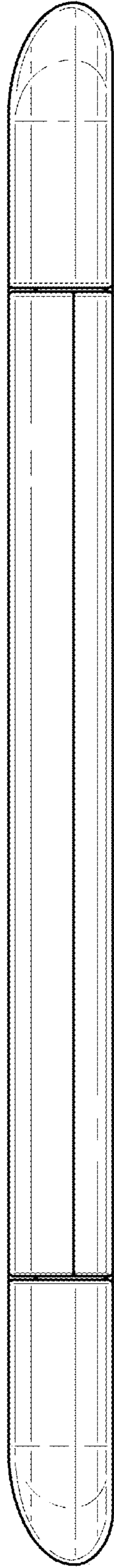


FIG. 24