



US00D984448S

(12) **United States Design Patent**
Zhang

(10) **Patent No.:** **US D984,448 S**

(45) **Date of Patent:** **** Apr. 25, 2023**

(54) **MOUSE JIGGLER**

(71) Applicant: **Shenzhen Vaydeer Technology Co., Ltd.**, Shenzhen (CN)

(72) Inventor: **Feng Zhang**, Shenzhen (CN)

(**) Term: **15 Years**

(21) Appl. No.: **29/827,227**

(22) Filed: **Feb. 18, 2022**

(51) **LOC (14) Cl.** **14-02**

(52) **U.S. Cl.**

USPC **D14/408**; D14/402

(58) **Field of Classification Search**

USPC D14/402–411, 356, 388, 389, 383–385,
D14/417, 426; 345/156–167; 463/36–38;
358/471, 473; 273/148 B

CPC G06F 3/03543; G06F 2203/0333; G06F
3/039; G06F 3/038; G06F 2203/0384

See application file for complete search history.

(56) **References Cited**

U.S. PATENT DOCUMENTS

D656,141 S	3/2012	Schlossstein	
D656,145 S	3/2012	Schlossstein	
D656,148 S	3/2012	Schlossstein	
D660,858 S	5/2012	Schlossstein	
D685,808 S	7/2013	Billington	
D685,809 S	7/2013	Billington	
D688,651 S *	8/2013	Daniel	D14/240
D707,688 S	6/2014	Wu	
D759,030 S	6/2016	Kim	
D874,469 S *	2/2020	Shim	D14/480.1
D910,576 S *	2/2021	Cheung	D13/147
D921,635 S *	6/2021	Wu	D14/433
D934,253 S *	10/2021	Lee	D14/433
D948,527 S *	4/2022	Liu	D14/480.1
D956,049 S *	6/2022	Liu	D14/408
D968,411 S *	11/2022	Peng	D14/433

* cited by examiner

Primary Examiner — Austin Murphy

(74) *Attorney, Agent, or Firm* — Runit Ranjit Kanakia

(57) **CLAIM**

The ornamental design for a mouse jiggler, as shown and described.

DESCRIPTION

FIG. 1 is a perspective view of a mouse jiggler where the cover is detached exposing the USB connector;

FIG. 2 is another perspective view of the mouse jiggler where the cover is detached exposing the USB connector;

FIG. 3 is a perspective view of the mouse jiggler with the USB cover closed;

FIG. 4 is another perspective view of the mouse jiggler with the USB cover closed;

FIG. 5 is a front elevational view of the USB cover, the rear elevational view is identical;

FIG. 6 is a left side view of the USB cover, the right side view is identical;

FIG. 7 is a top plan view of the USB cover;

FIG. 8 is a bottom plan view of the USB cover;

FIG. 9 is a front elevational view of the mouse jiggler without the cover;

FIG. 10 is a rear elevational view thereof;

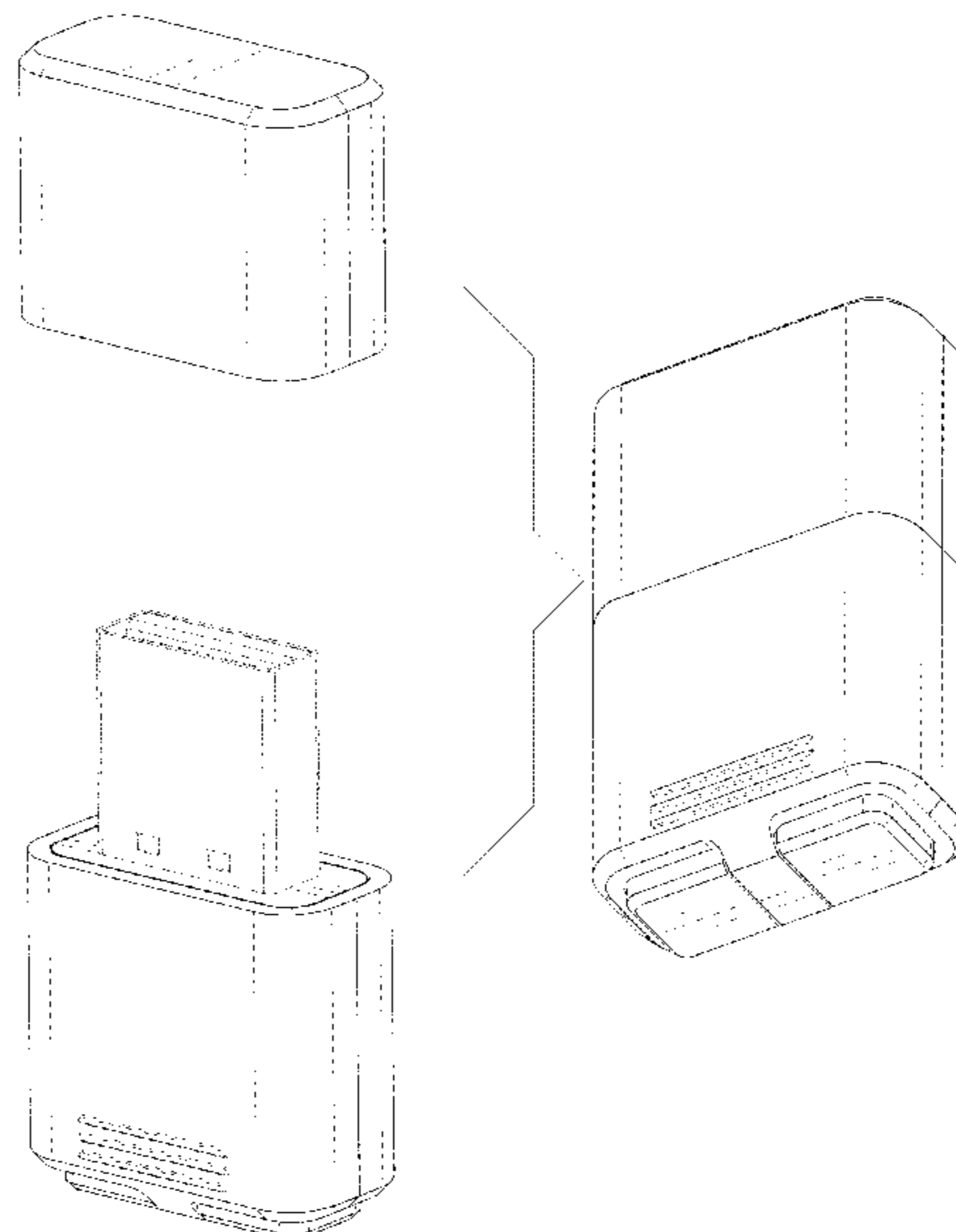
FIG. 11 is a left side view thereof, the right side view is identical;

FIG. 12 is a top plan view thereof; and,

FIG. 13 is a bottom plan view thereof.

The broken lines in the figures are for the purposes of illustrating portions of the mouse jiggler, which form no part of the claimed design.

1 Claim, 9 Drawing Sheets



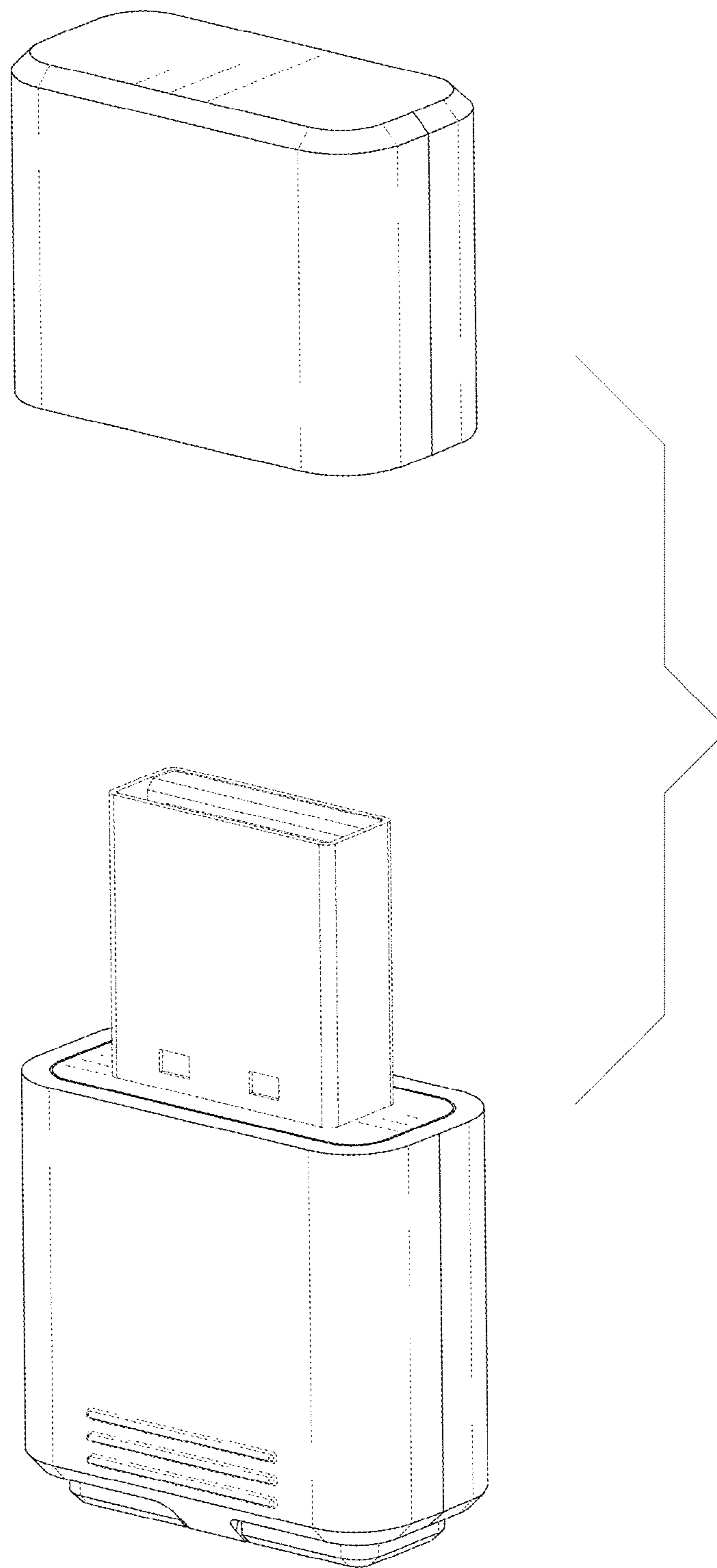


FIG. 1

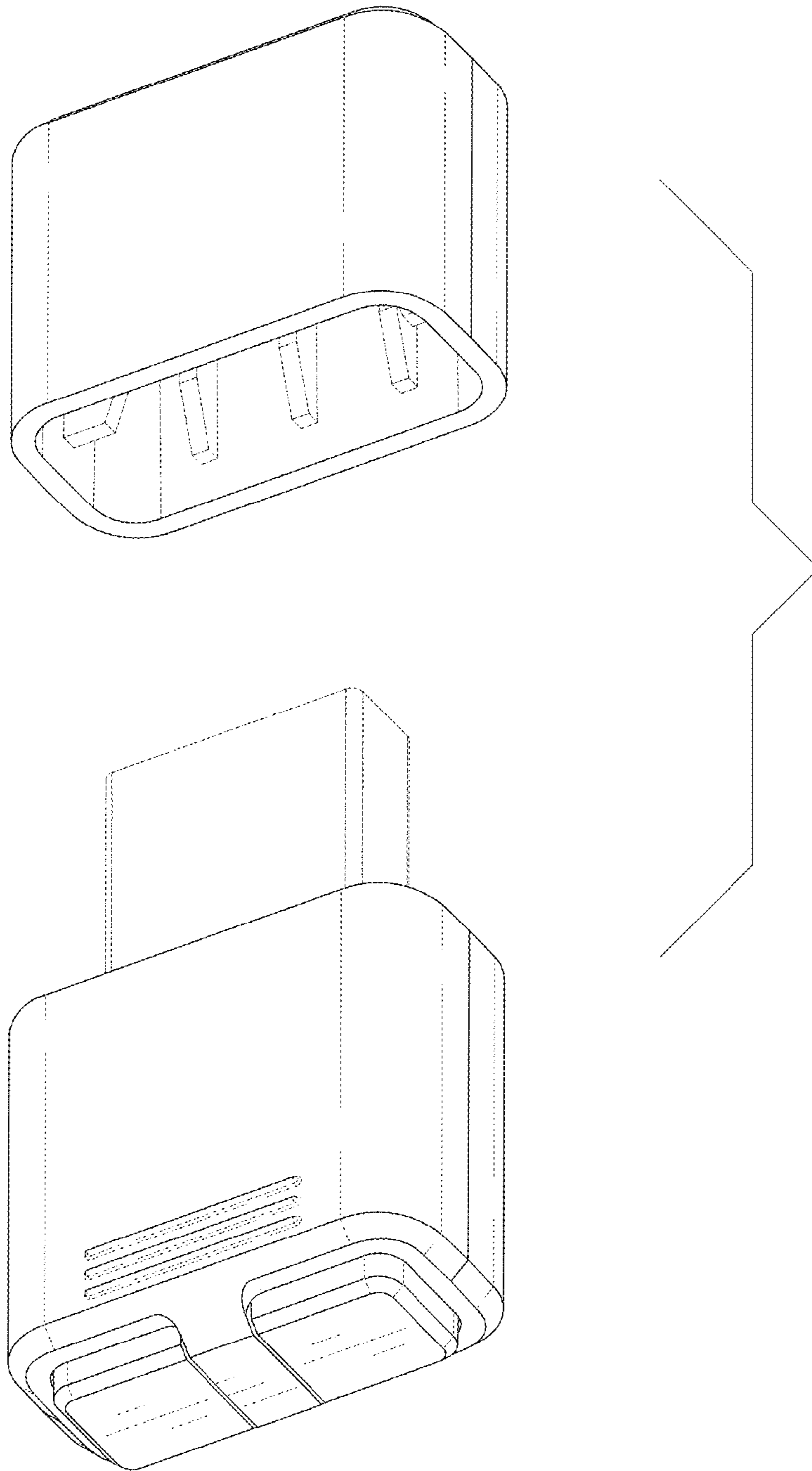


FIG. 2

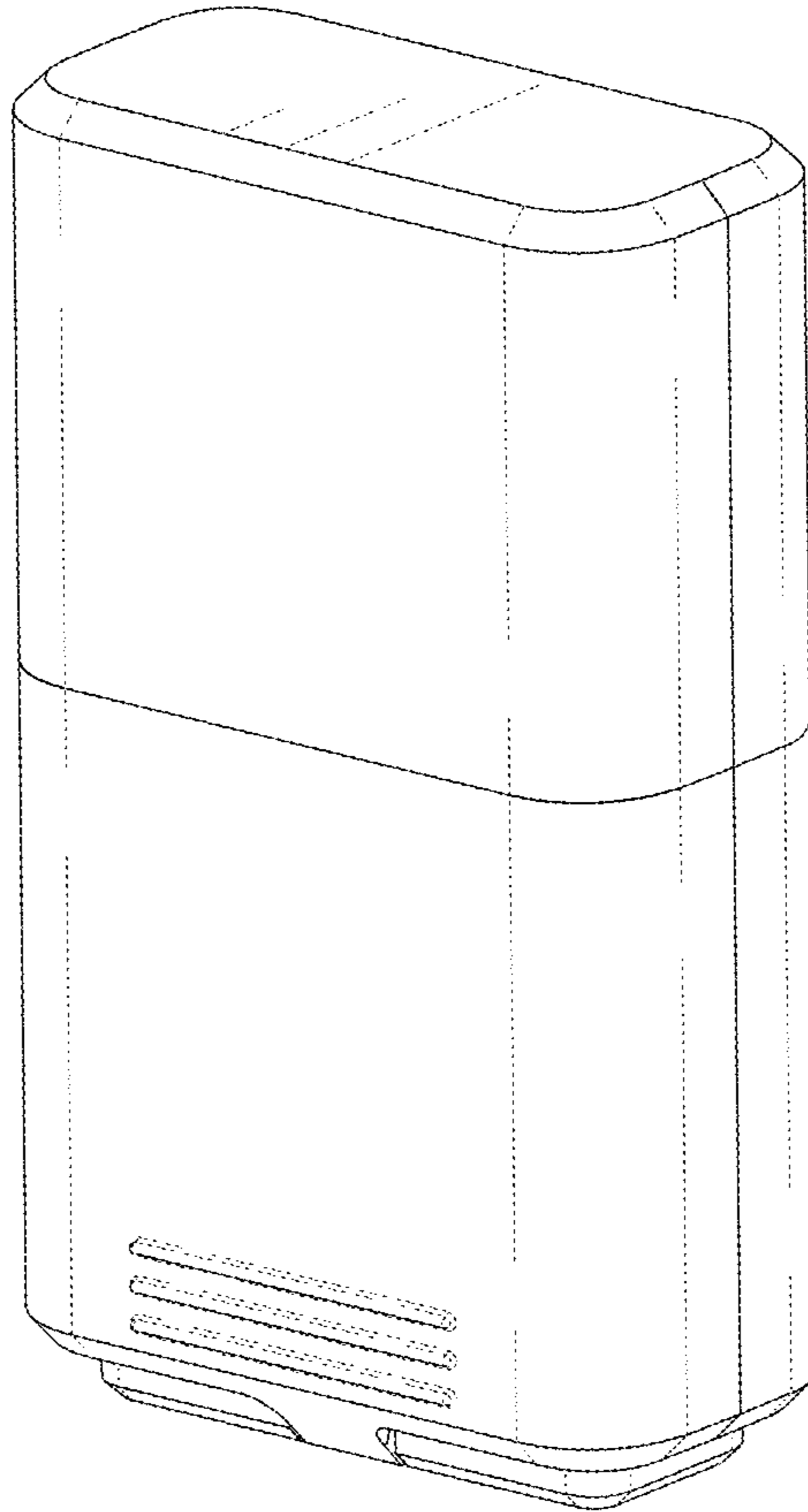


FIG. 3

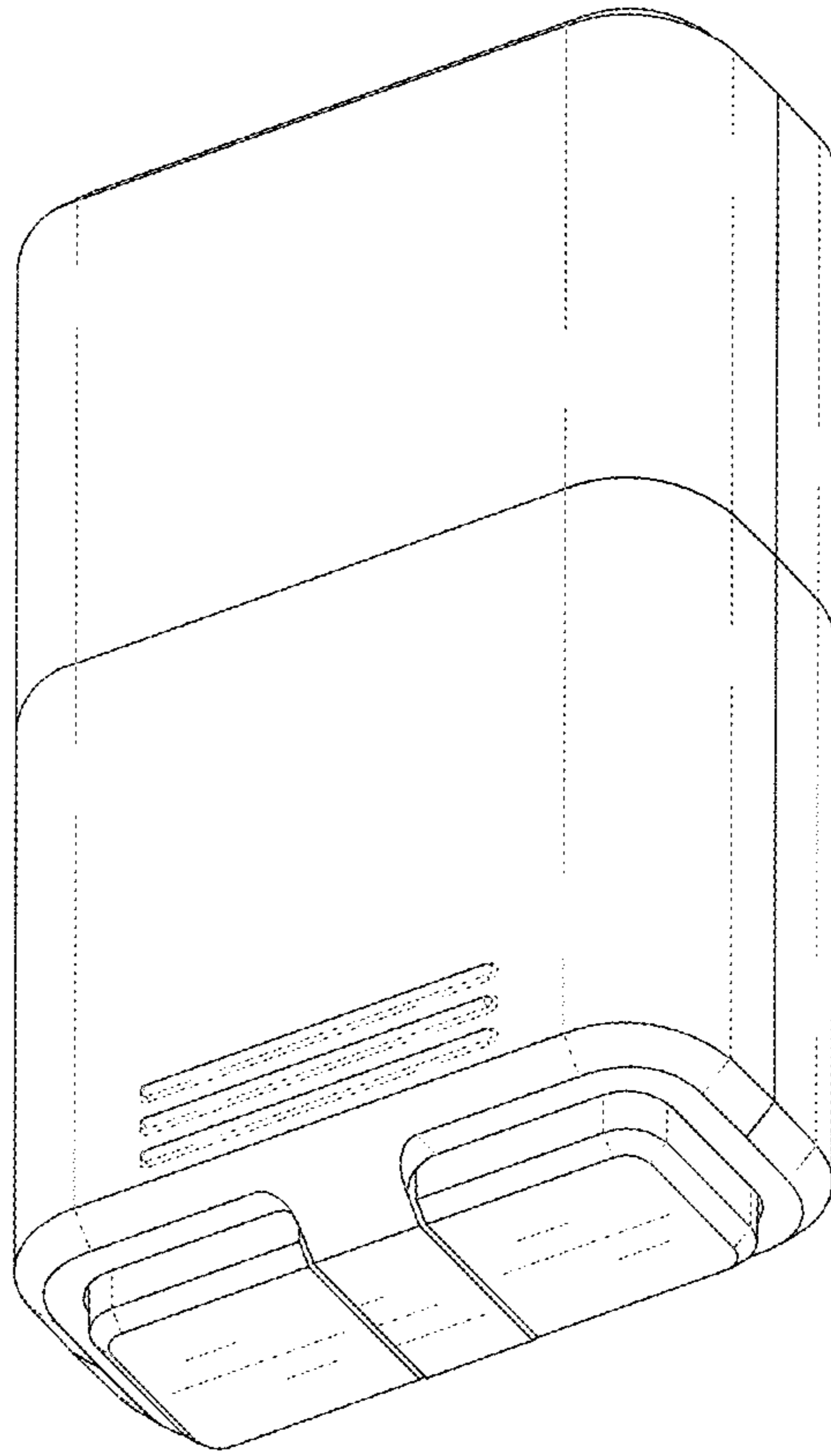


FIG. 4

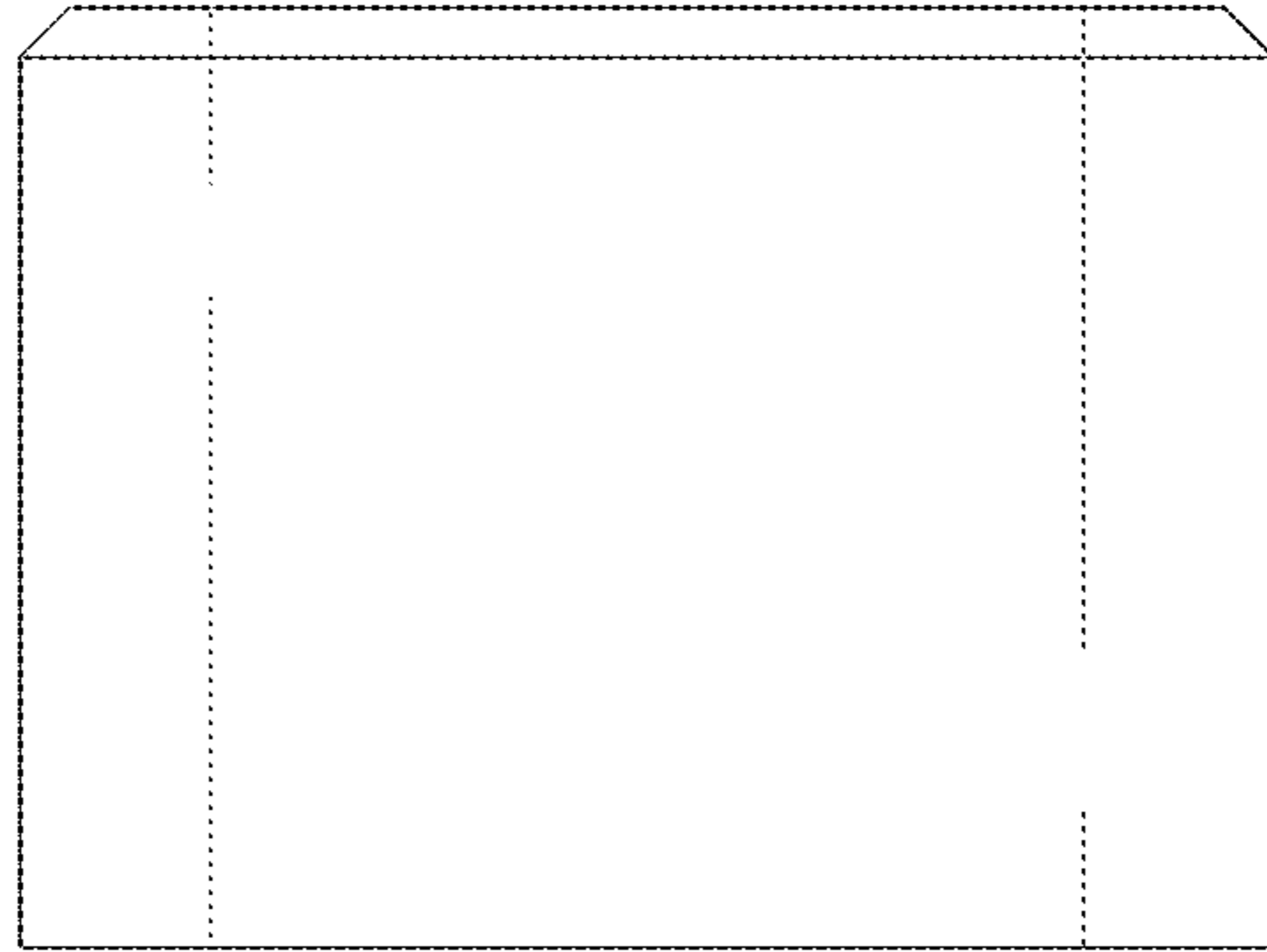


FIG. 5

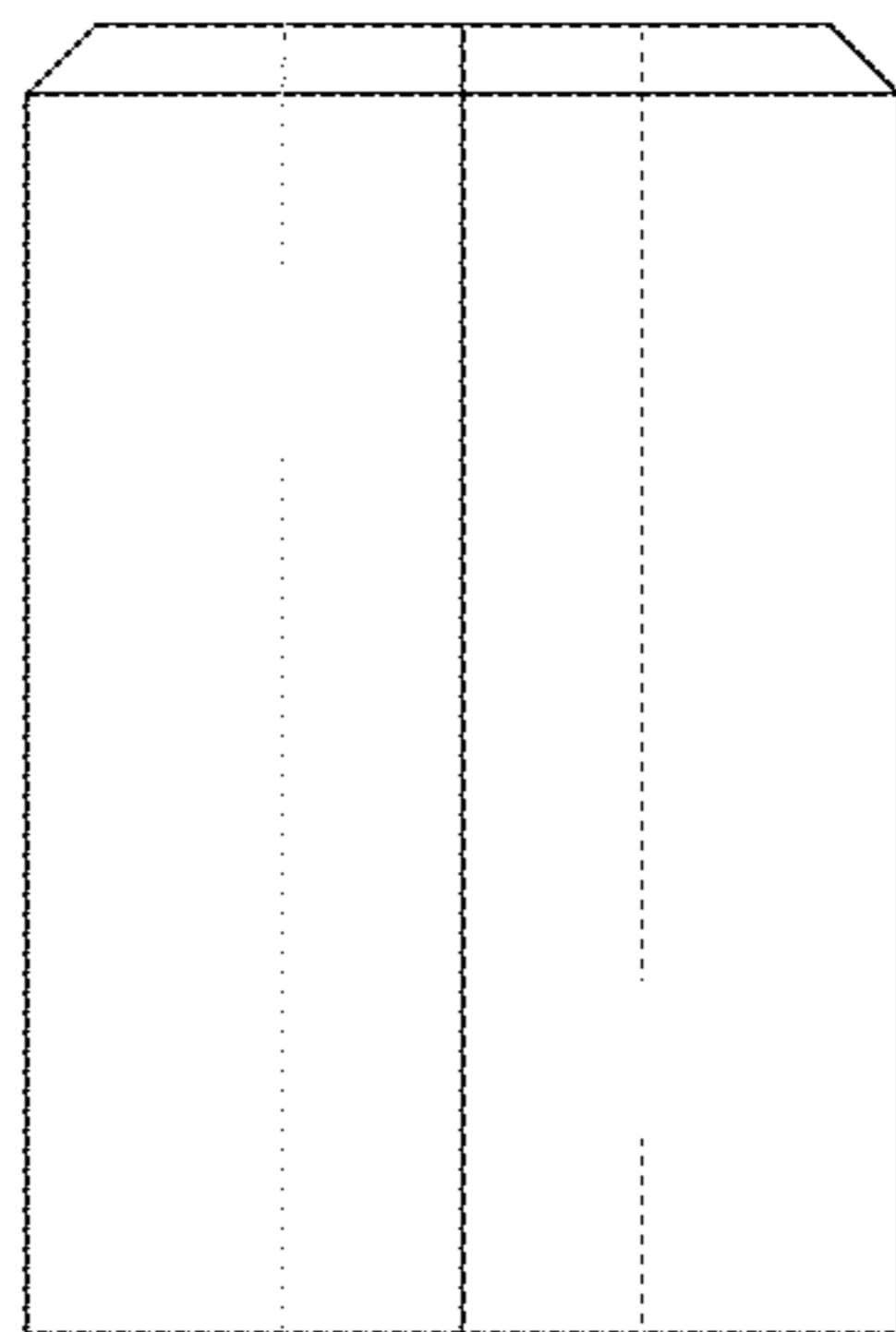


FIG. 6

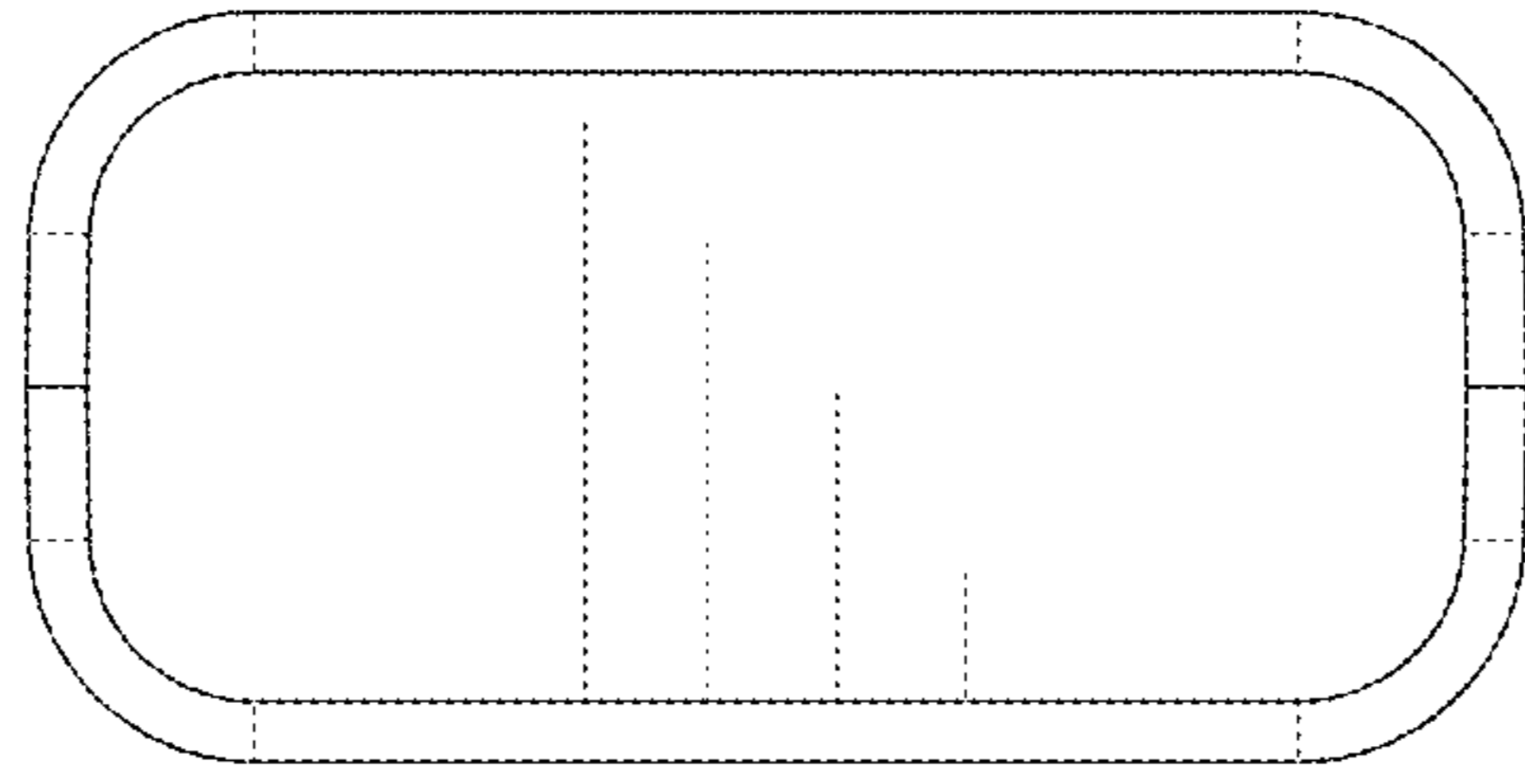


FIG. 7

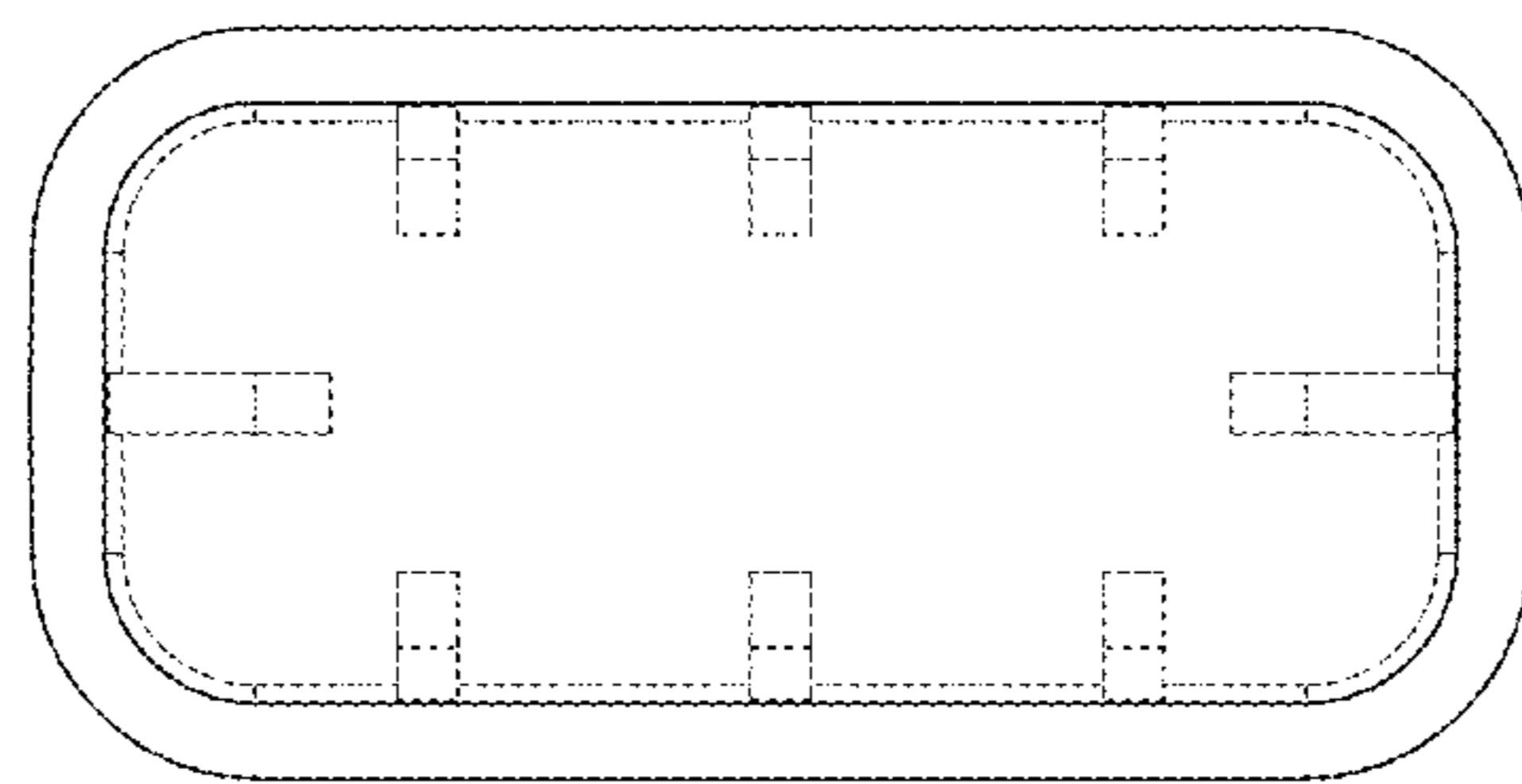


FIG. 8

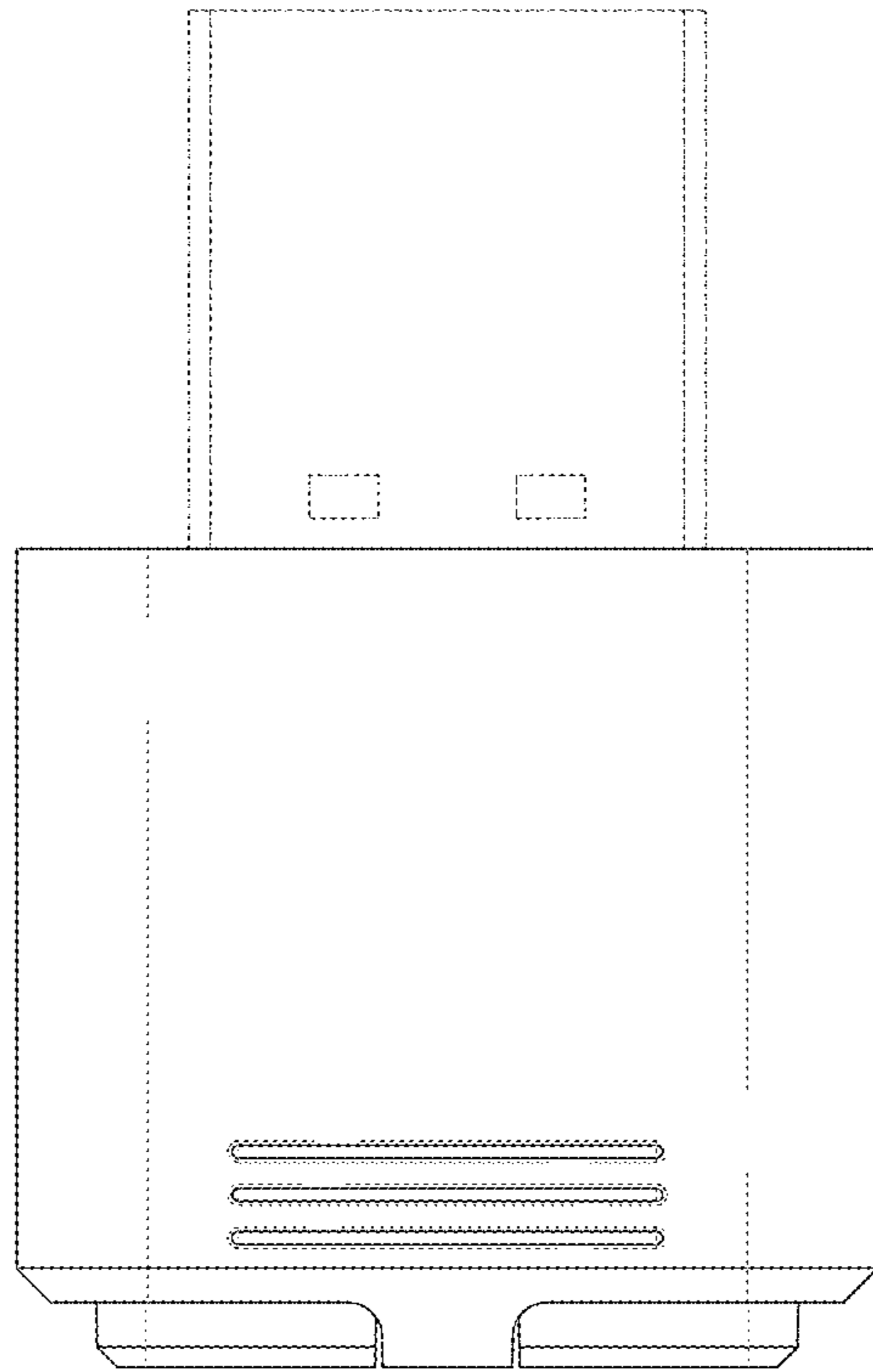


FIG. 9

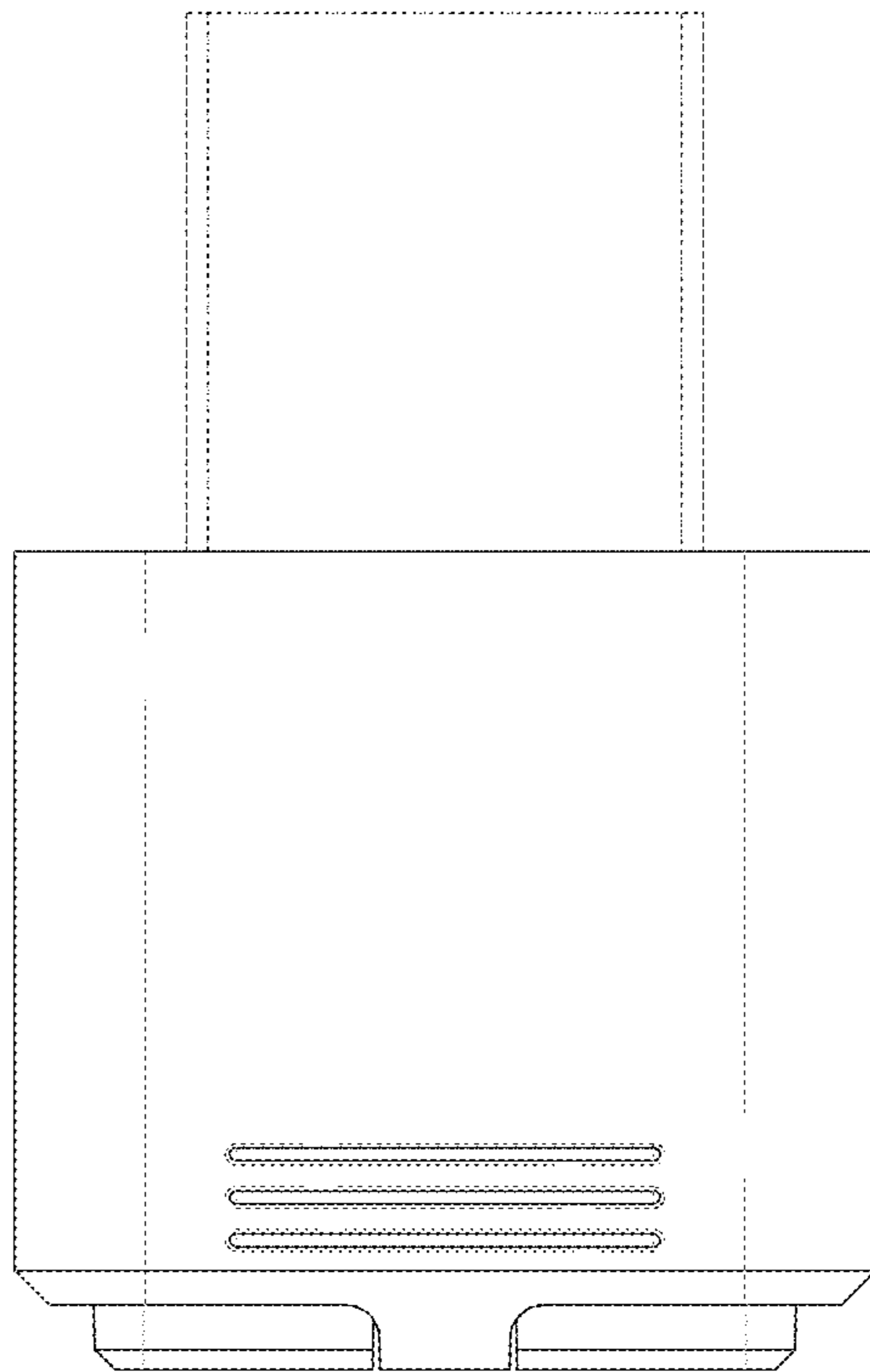


FIG. 10

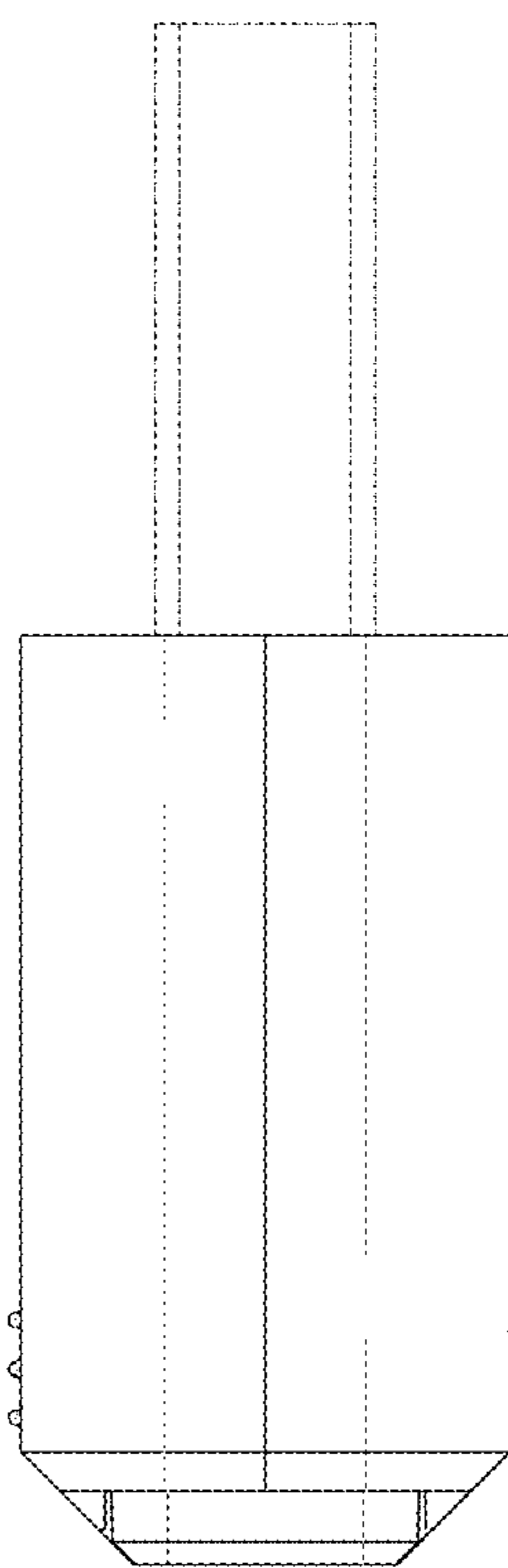


FIG. 11

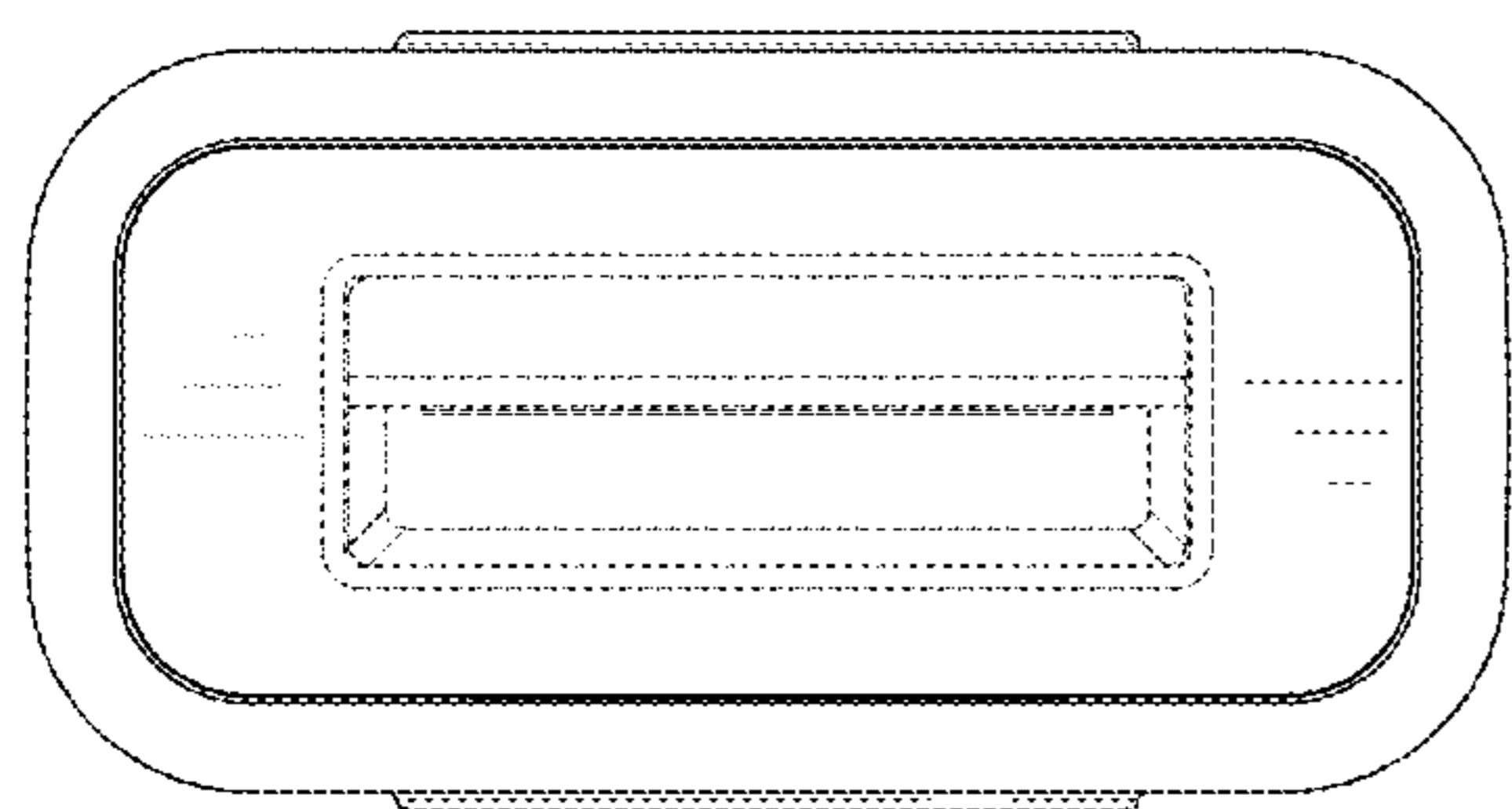


FIG. 12

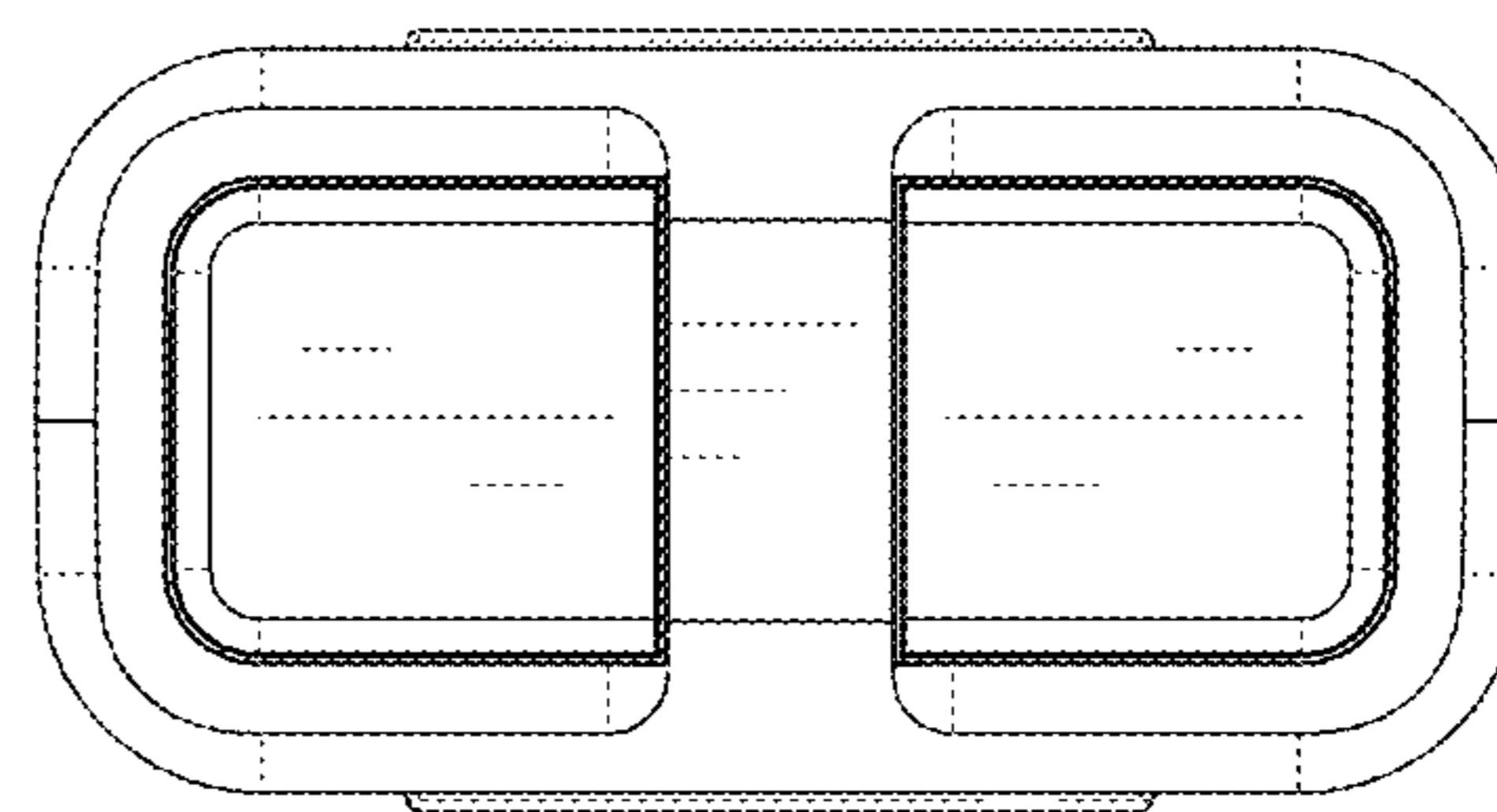


FIG. 13