



US00D984447S

(12) **United States Design Patent**
Kihl et al.

(10) **Patent No.:** **US D984,447 S**
(45) **Date of Patent:** **** Apr. 25, 2023**

(54) **DISPLAY UNIT**
(71) Applicant: **LG ELECTRONICS INC.**, Seoul (KR)
(72) Inventors: **Hewon Kihl**, Seoul (KR); **Yongho Lee**, Seoul (KR); **Hyunhee You**, Seoul (KR)
(73) Assignee: **LG ELECTRONICS INC.**, Seoul (KR)
(**) Term: **15 Years**
(21) Appl. No.: **35/512,851**
(22) Filed: **May 3, 2021**
(80) **Hague Agreement Data**
Int. Filing Date: **May 3, 2021**
Int. Reg. No.: **DM/214996**
Int. Reg. Date: **May 3, 2021**
Int. Reg. Pub. Date: **Nov. 5, 2021**

(30) **Foreign Application Priority Data**
Nov. 30, 2020 (KR) 30-2020-0058422
(51) **LOC (14) Cl.** **14-02**
(52) **U.S. Cl.**
USPC **D14/371**
(58) **Field of Classification Search**
USPC D14/305-307, 334-337, 339-340, 371, D14/373-382, 448-452, 125-134, 203.3, D14/203.4, 203.7, 203.8, 341-343, 345, D14/347, 356, 389, 432, 439, 507, 203.1, D14/239; D21/324, 329-330, 333; D19/113-114
CPC G06F 1/16; G06F 1/1601; G06F 1/1605; G06F 1/1607; H04N 5/64
See application file for complete search history.

(56) **References Cited**
U.S. PATENT DOCUMENTS
D619,135 S * 7/2010 Lin D14/374
D648,292 S * 11/2011 Park D14/125

D805,511 S * 12/2017 Sun D14/336
D878,775 S * 3/2020 Wang D14/371
D898,688 S * 10/2020 Lee D14/126
D899,387 S * 10/2020 Lee D14/126
D900,489 S * 11/2020 Chu D14/341
D920,432 S * 5/2021 Lee D20/42
D920,940 S * 6/2021 Lee H04N 5/64
D14/126
D922,374 S * 6/2021 Lu D14/341
D926,256 S * 7/2021 Hwang D14/126
D947,147 S * 3/2022 Hwang A63F 9/06
D14/127
D947,148 S * 3/2022 Lee A63F 9/06
D14/127
D947,149 S * 3/2022 Hwang A63F 9/06
D14/127
D951,248 S * 5/2022 Chen D14/371
D974,358 S * 1/2023 Cho D14/371

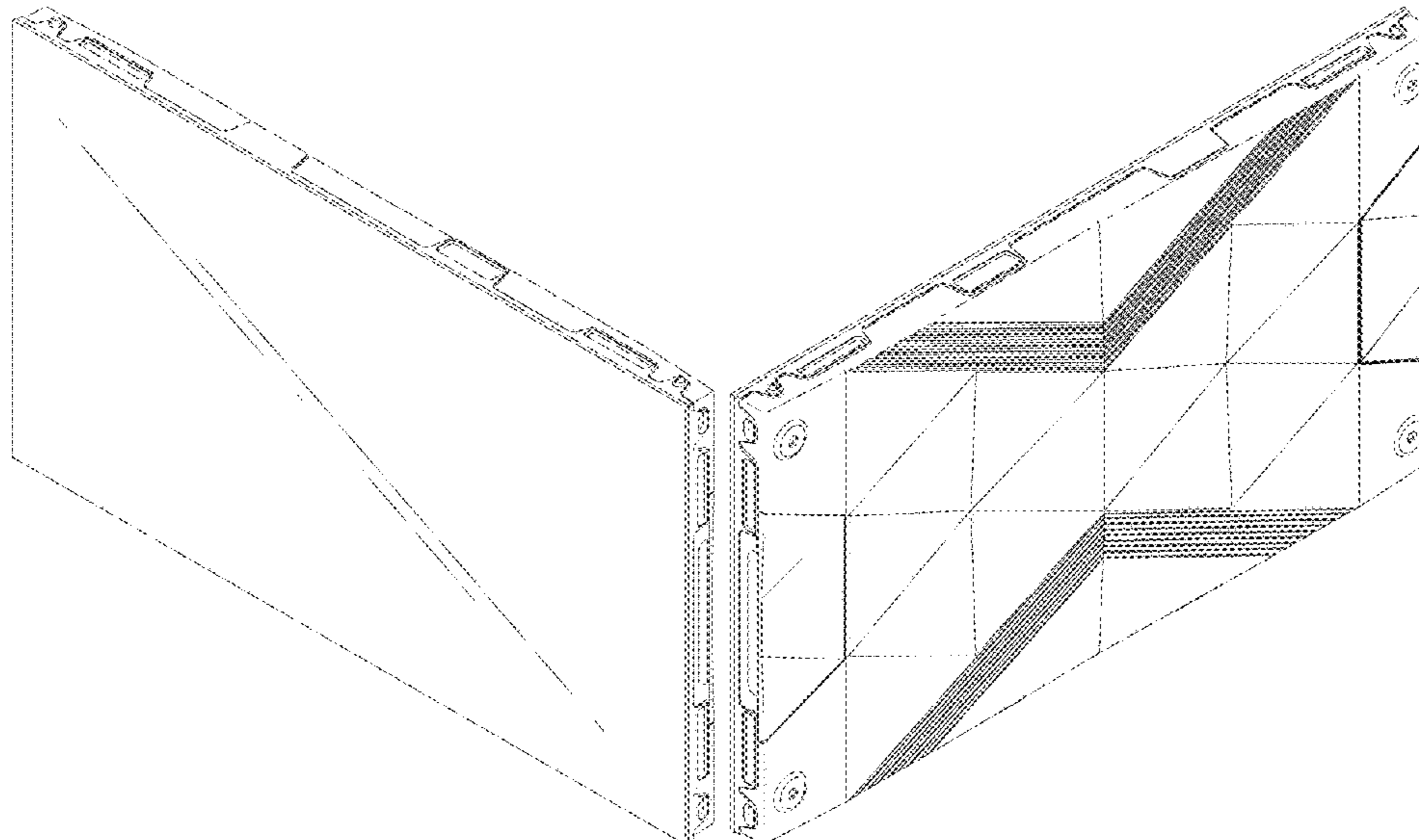
* cited by examiner

Primary Examiner — Kathleen L Jones
(74) *Attorney, Agent, or Firm* — Birch, Stewart, Kolasch & Birch, LLP

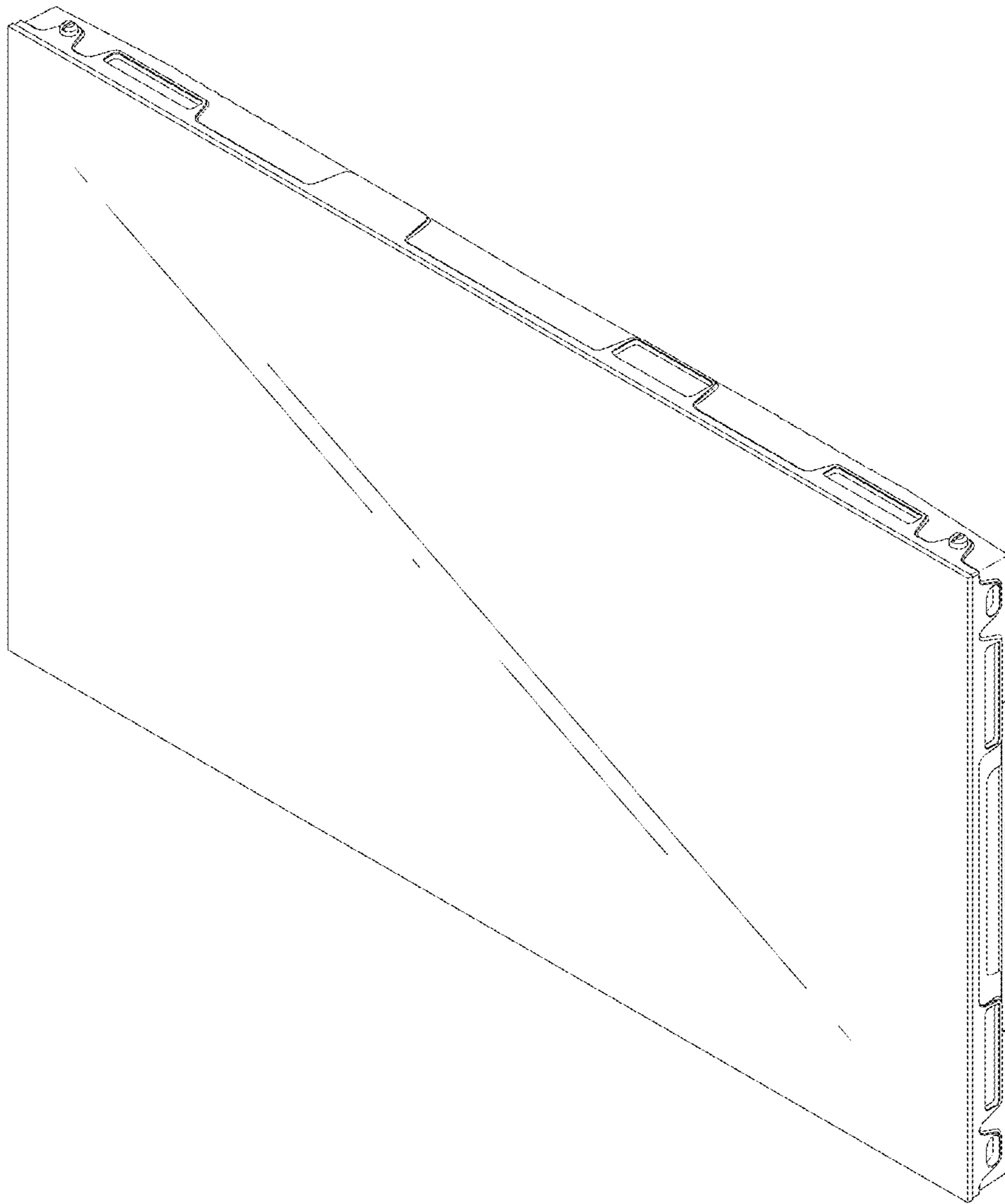
(57) **CLAIM**
The ornamental design for a display unit, as shown and described.

DESCRIPTION
1. Display unit
1.1 : Perspective
1.2 : Rear perspective view
1.3 : Front
1.4 : Back
1.5 : Left
1.6 : Right
1.7 : Top
1.8 : Bottom
The broken lines showing portions of the display unit form no part of the claimed design.

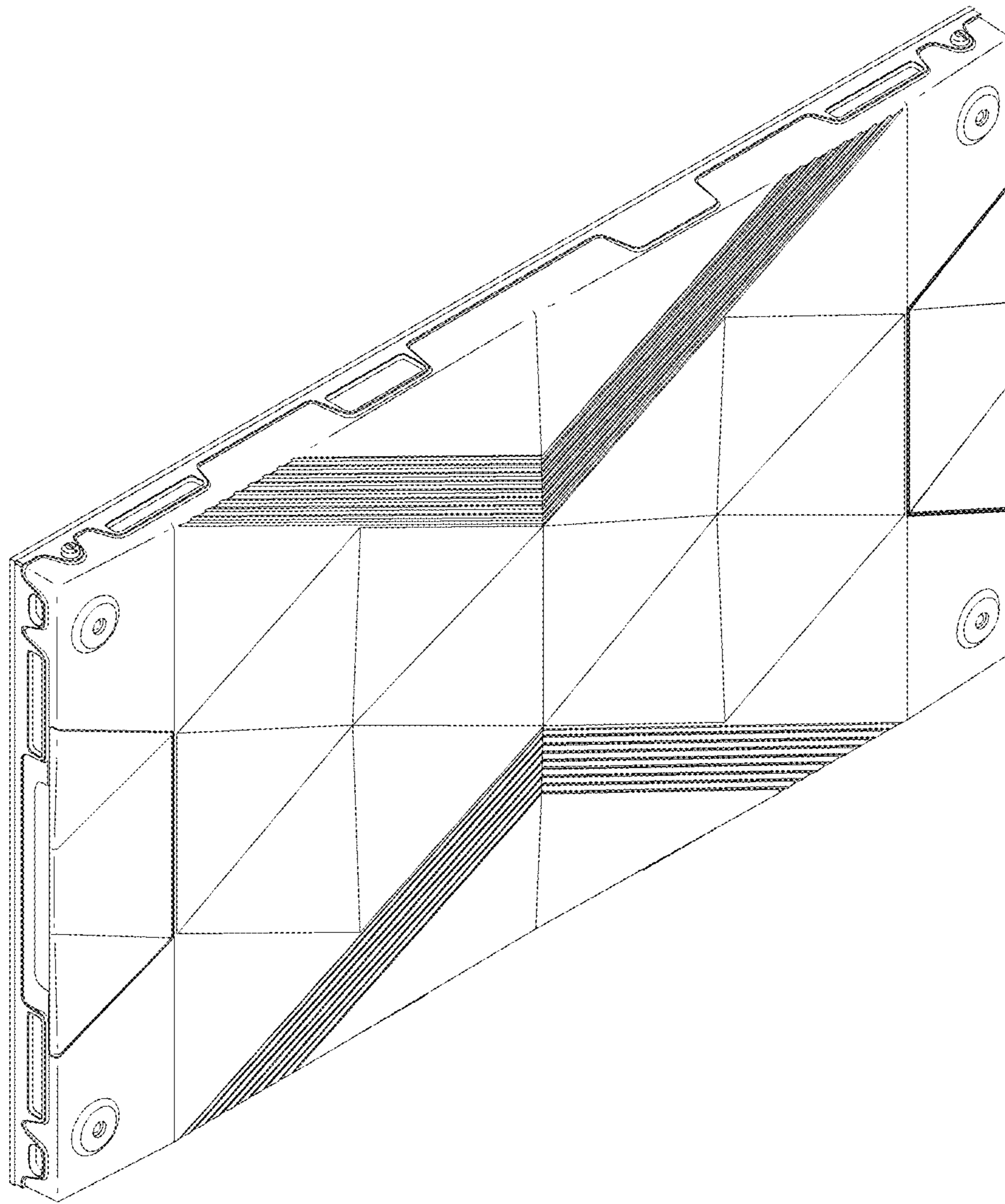
1 Claim, 8 Drawing Sheets



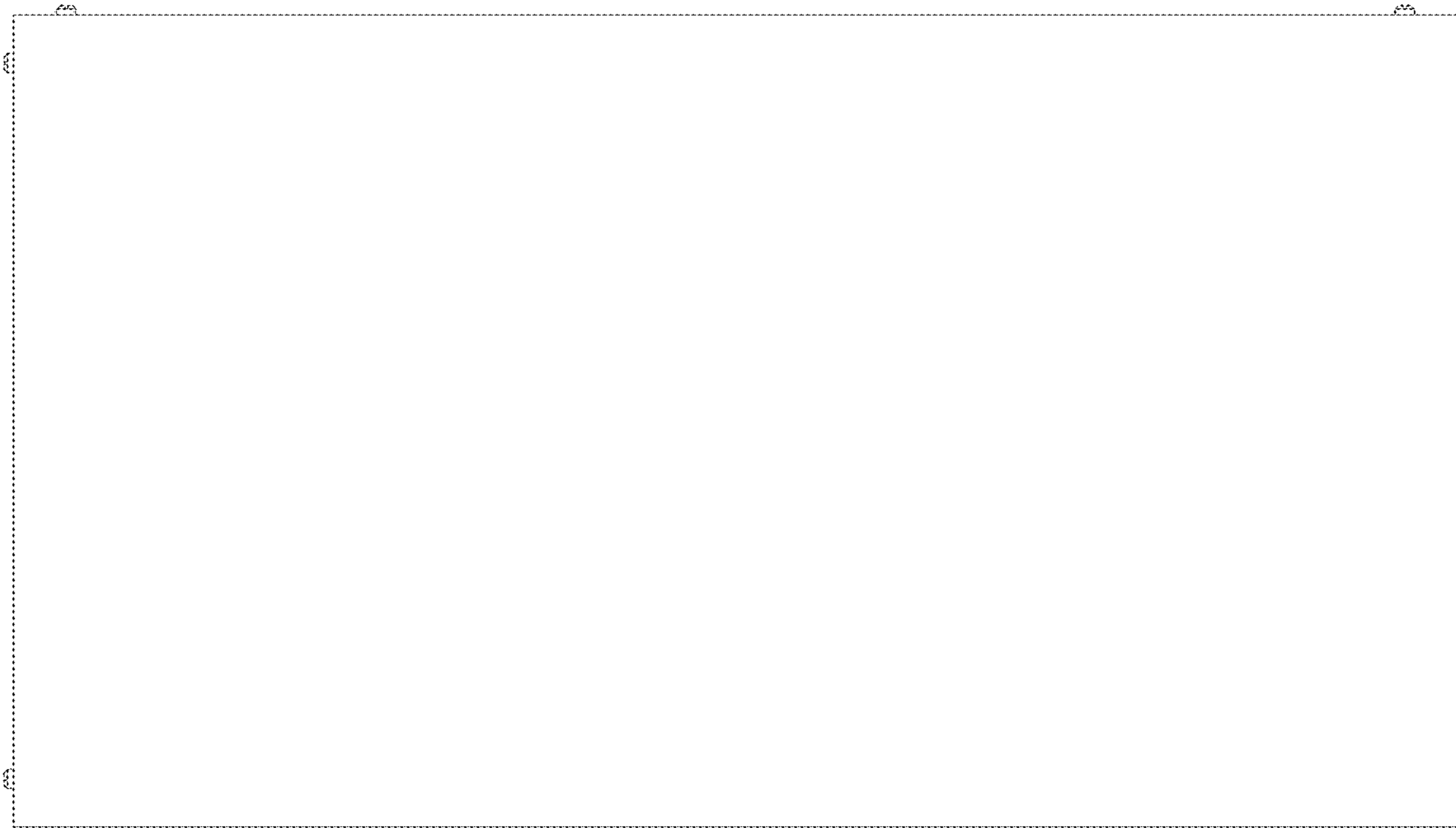
1.1



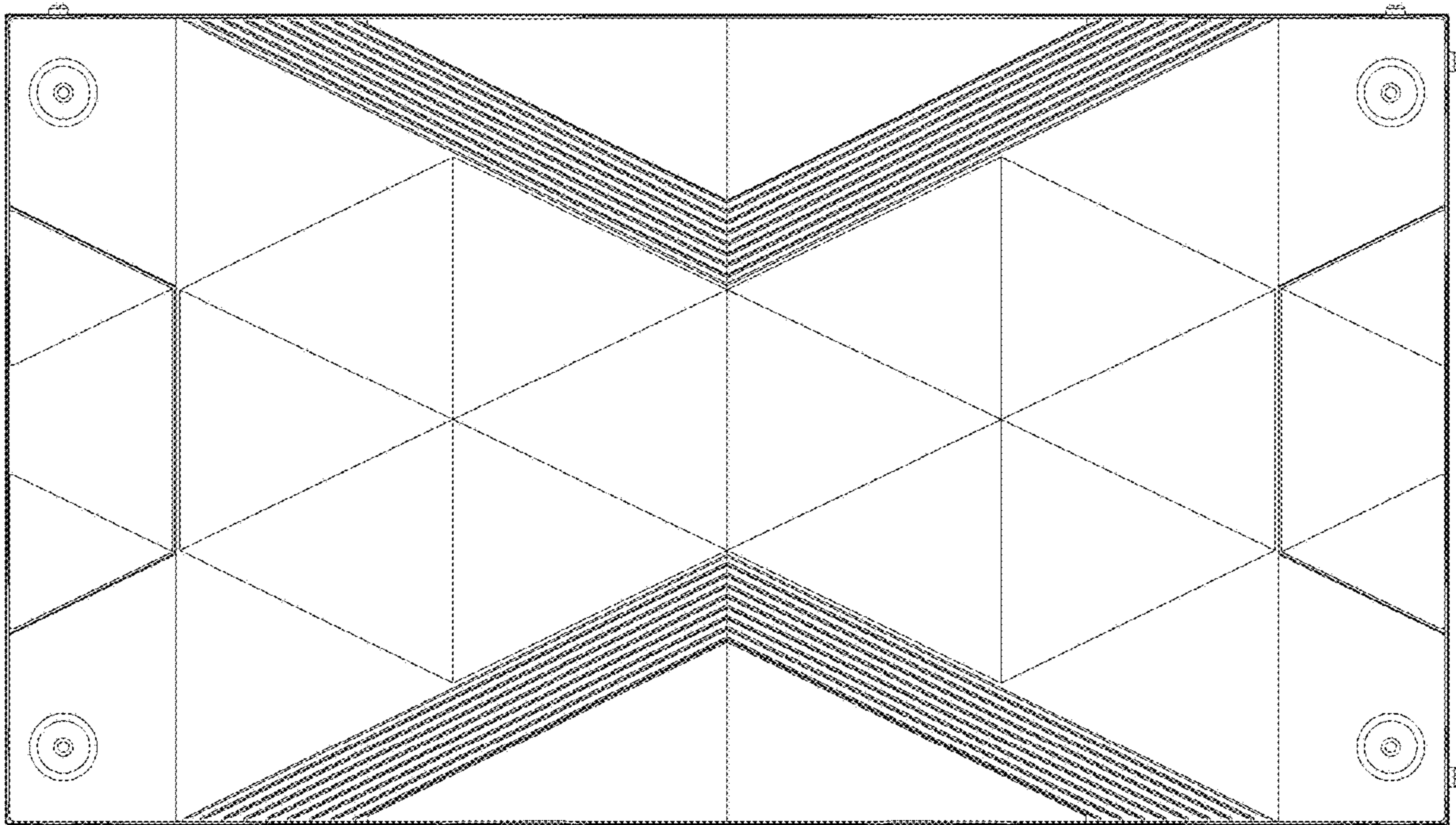
1.2



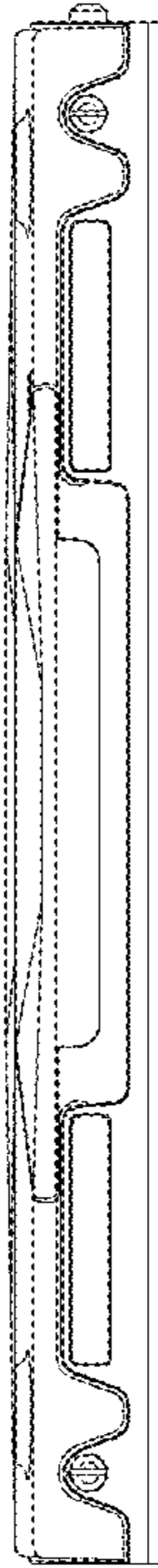
1.3



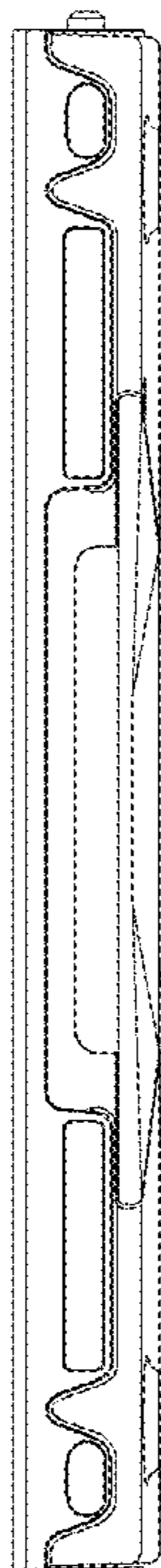
1.4



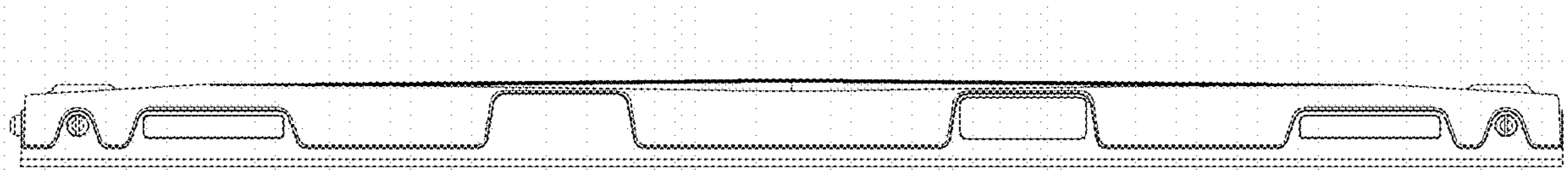
1.5



1.6



1.7



1.8

