



US00D984445S

(12) **United States Design Patent**
Ou et al.

(10) **Patent No.:** **US D984,445 S**

(45) **Date of Patent:** **** Apr. 25, 2023**

(54) **INDOOR POSITIONING BASE STATION**

(71) Applicants: **Zhengzhou Wanmayun Electronic Technology CO., Ltd.**, Zhengzhou (CN); **HONGFUJIN PRECISION ELECTRONICS (ZHENGZHOU) CO., LTD.**, Zhengzhou (CN)

(72) Inventors: **Ting-Kang Ou**, New Taipei (TW); **Xian-Wei Song**, Zhengzhou (CN); **Shao-Bing Hou**, Zhengzhou (CN)

(73) Assignees: **Zhengzhou Wanmayun Electronic Technology CO., Ltd.**, Zhengzhou (CN); **HONGFUJIN PRECISION ELECTRONICS (ZHENGZHOU) CO., LTD.**, Zhengzhou (CN)

(**) Term: **15 Years**

(21) Appl. No.: **29/805,741**

(22) Filed: **Aug. 30, 2021**

(30) **Foreign Application Priority Data**

Jul. 1, 2021 (CN) 202130414664.3

(51) **LOC (14) Cl.** **14-02**

(52) **U.S. Cl.**
USPC **D14/356**

(58) **Field of Classification Search**
USPC D23/364; D14/125, 140, 149, 167, 168, D14/204, 203.7, 211, 214, 215, 216, 217, D14/218, 240, 356, 358, 509; D13/108; D10/106.5, 106.1, 52, 49
CPC H04R 5/02; H04R 2420/07; H04R 9/06; H04R 1/025; H02J 7/025
See application file for complete search history.

(56) **References Cited**

U.S. PATENT DOCUMENTS

D371,793 S * 7/1996 Patton D14/218
D399,157 S * 10/1998 Hsu D10/106.5

D442,570 S * 5/2001 Arjomand D14/203.6
D685,790 S * 7/2013 Tang D14/218
D711,345 S * 8/2014 Liu D14/140
D820,238 S * 6/2018 Boshernitzan D14/218
D856,169 S * 8/2019 Libson D10/49
D867,342 S * 11/2019 Afshar Bakooshli D14/218
D886,650 S * 6/2020 Lan D10/49
D928,150 S * 8/2021 Maruyama D21/333
D929,990 S * 9/2021 Maruyama D24/186

(Continued)

Primary Examiner — Khawaja Anwar

Assistant Examiner — Megan Tiana Rakos

(74) *Attorney, Agent, or Firm* — ScienBiziP, P.C.

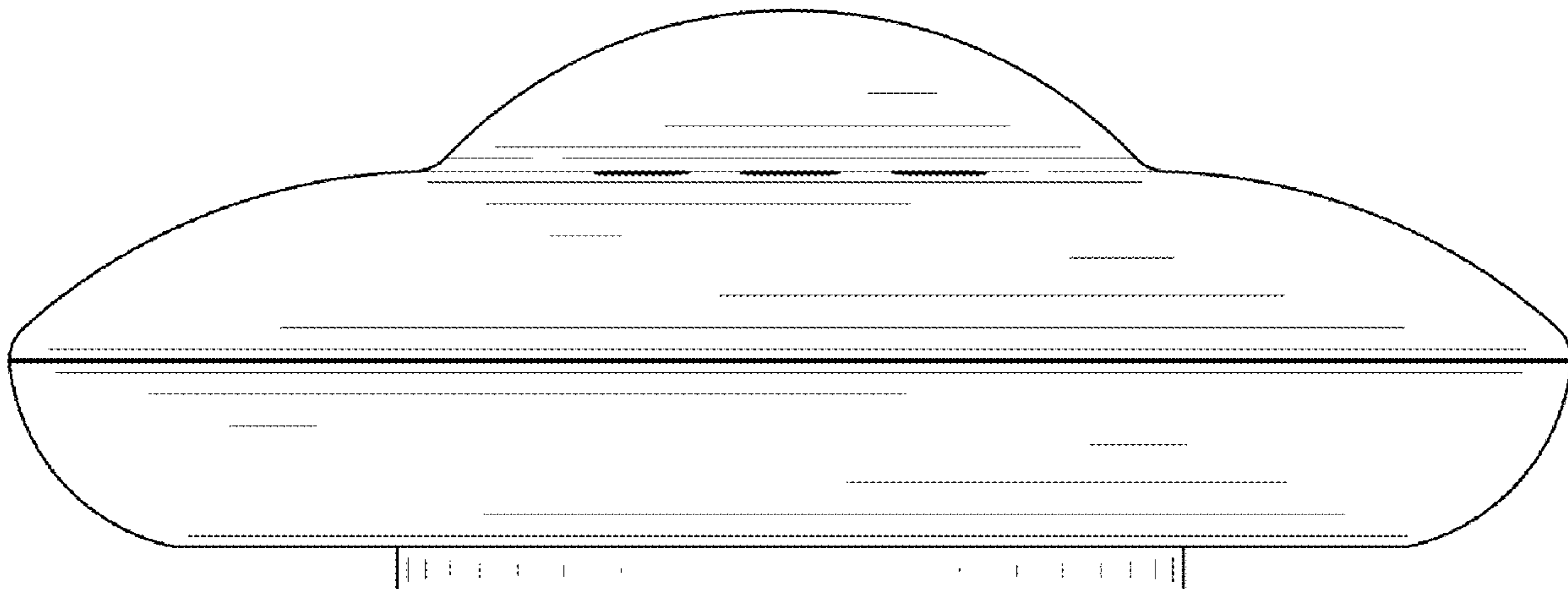
(57) **CLAIM**

The ornamental design for an indoor positioning base station, as shown and described.

DESCRIPTION

FIG. 1 is a front perspective view of an indoor positioning base station showing our design.
FIG. 2 is a rear perspective view of the indoor positioning base station in FIG. 1.
FIG. 3 is a front elevation view of the indoor positioning base station in FIG. 1.
FIG. 4 is a rear elevation view of the indoor positioning base station in FIG. 1.
FIG. 5 is a left side elevation view of the indoor positioning base station in FIG. 1.
FIG. 6 is a right side elevation view of the indoor positioning base station in FIG. 1.
FIG. 7 is a top plan view of the indoor positioning base station in FIG. 1; and,
FIG. 8 is a bottom plan view of the indoor positioning base station in FIG. 1.
The broken lines in the drawings are employed to show unclaimed portions of the indoor positioning base station, and form no part of the claimed design.

1 Claim, 8 Drawing Sheets



(56)

References Cited

U.S. PATENT DOCUMENTS

D940,708 S * 1/2022 Avis D14/358
D948,365 S * 4/2022 Thomson D10/104.1

* cited by examiner

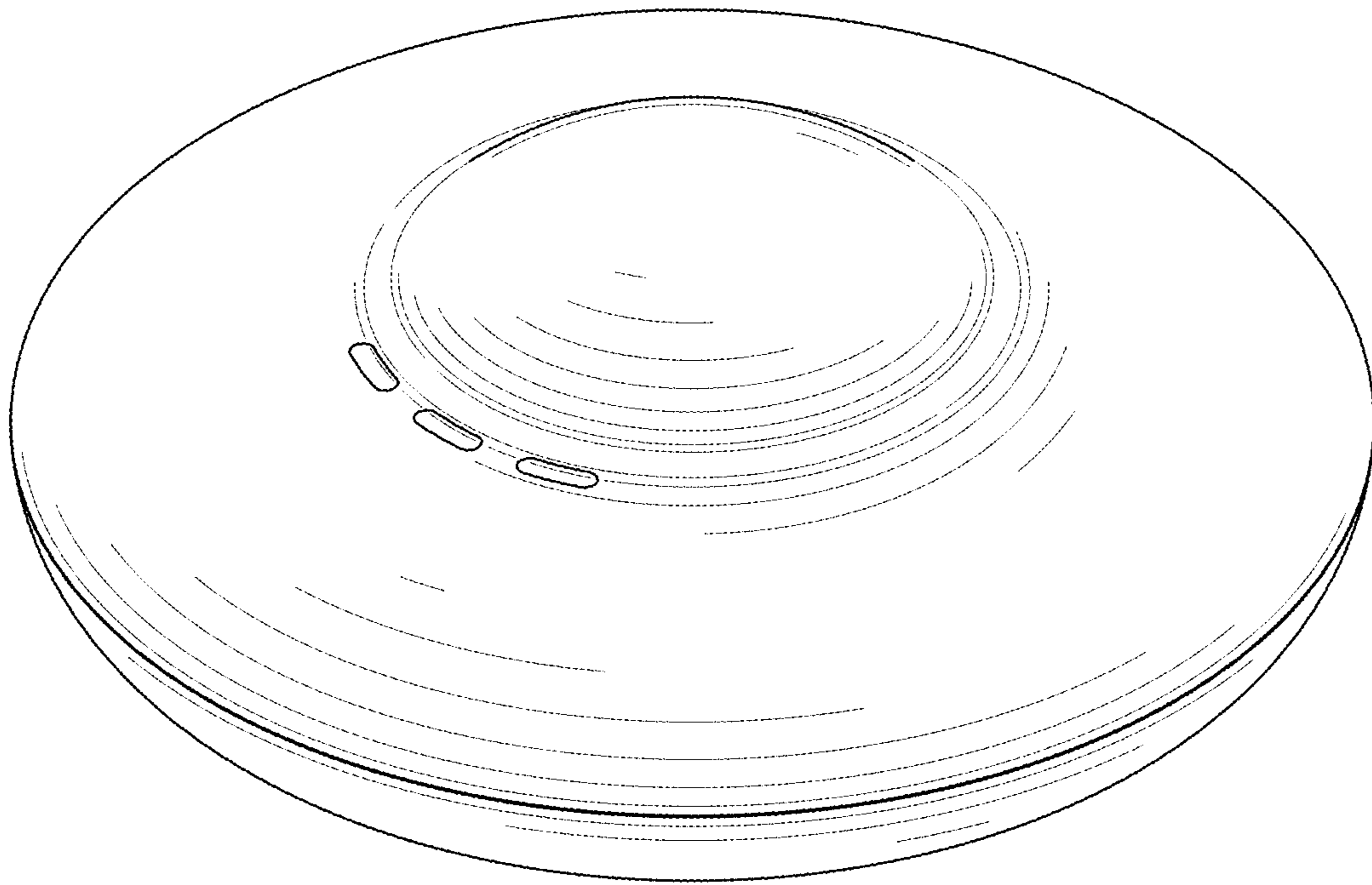


FIG. 1

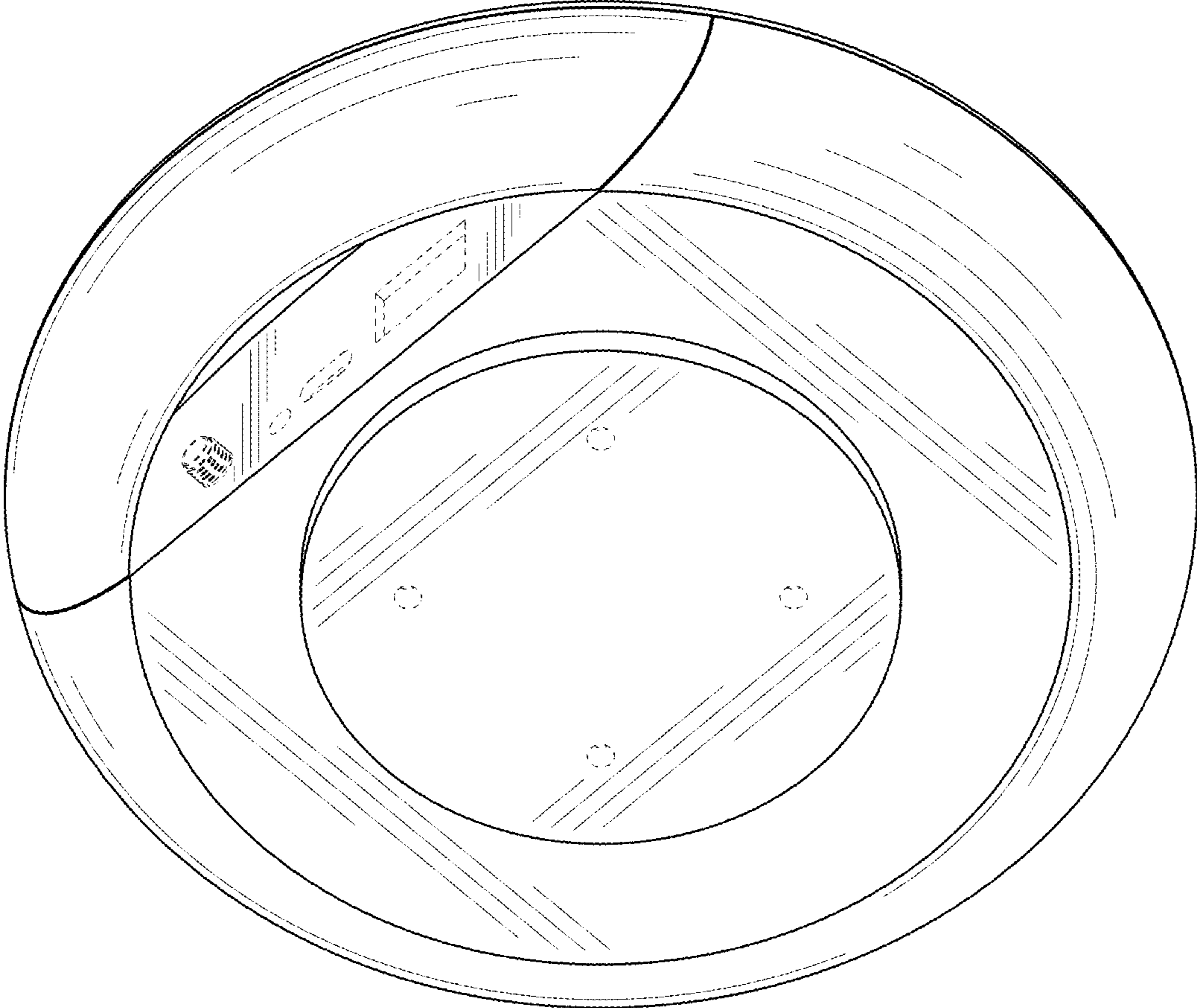


FIG. 2

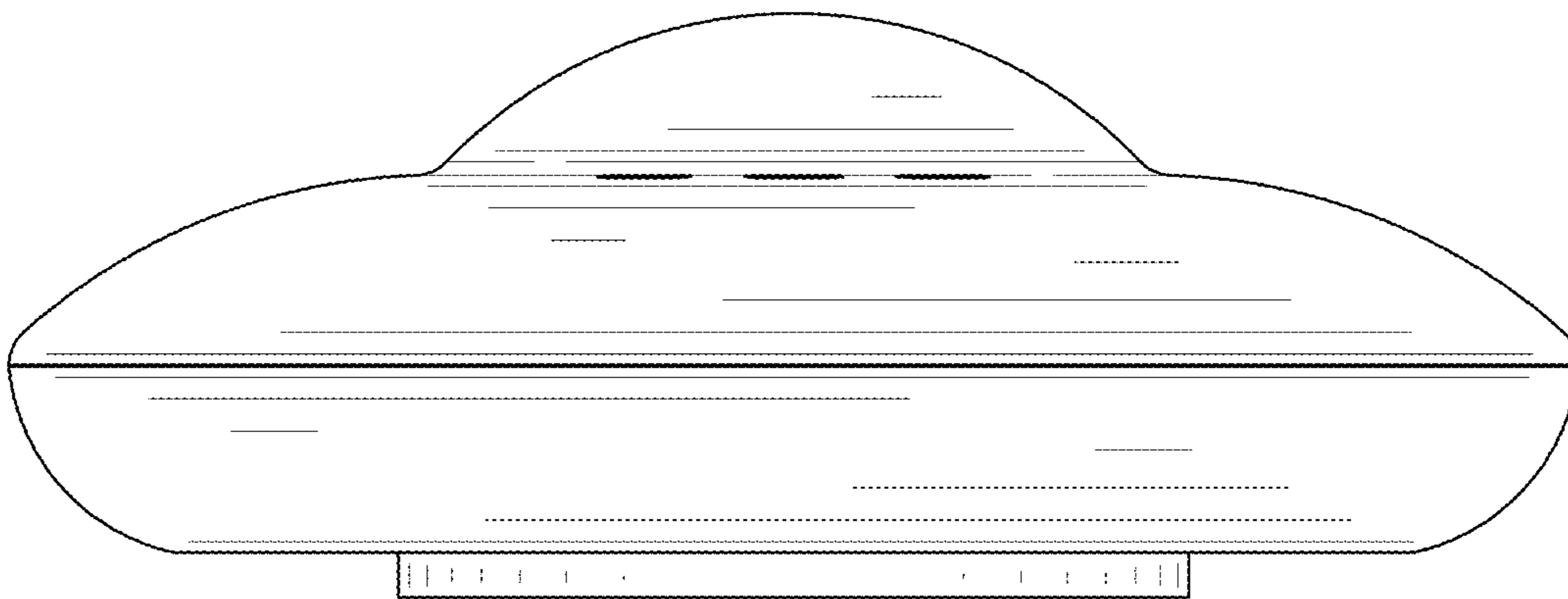


FIG. 3

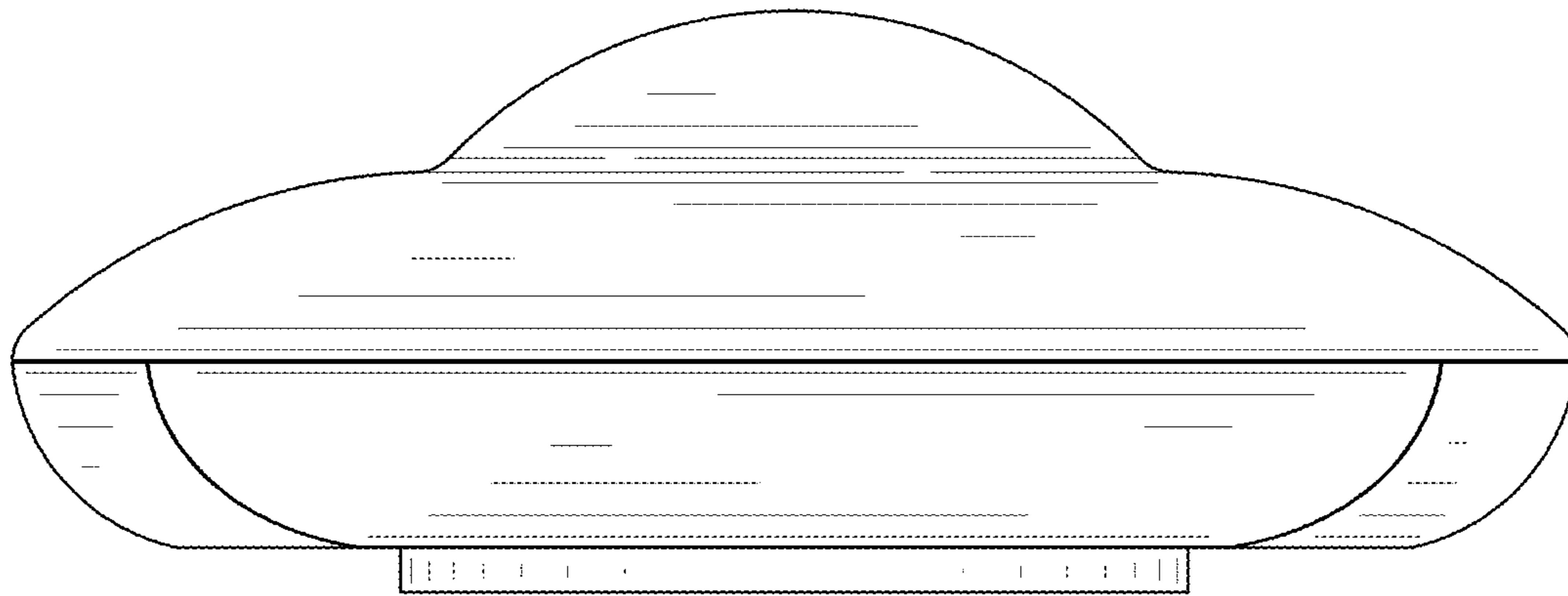


FIG. 4

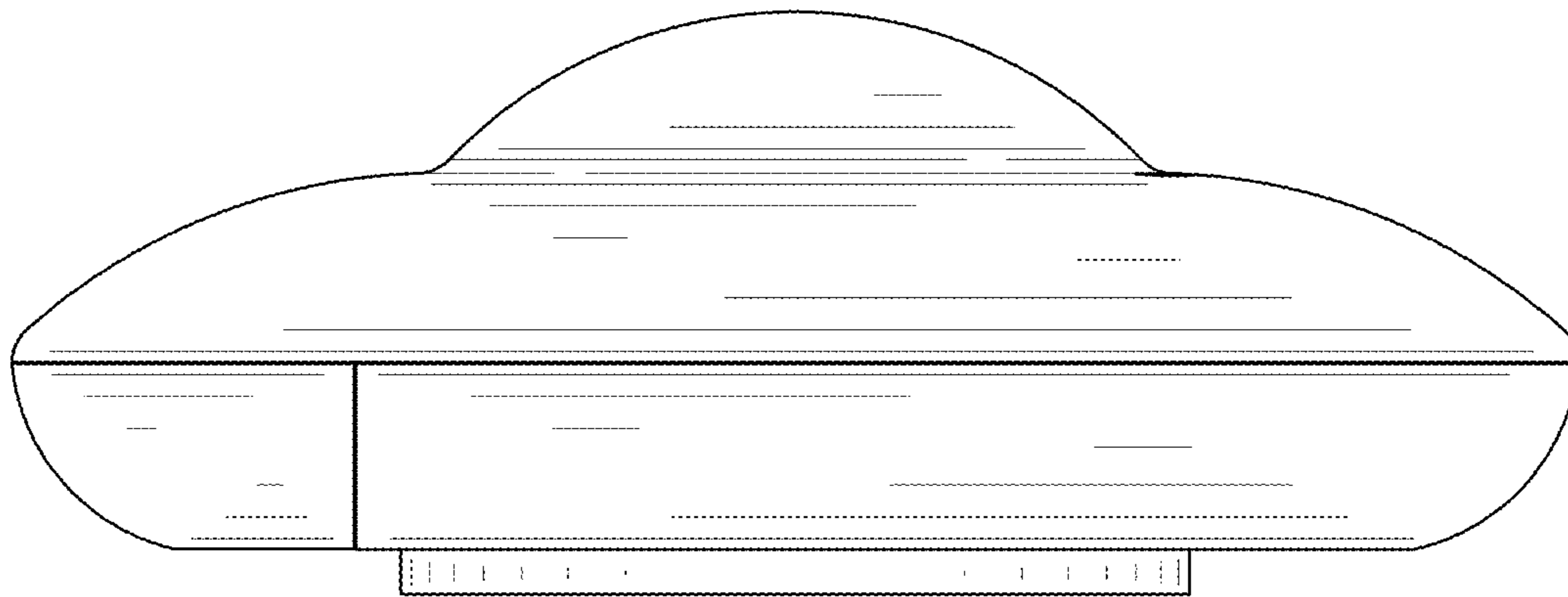


FIG. 5

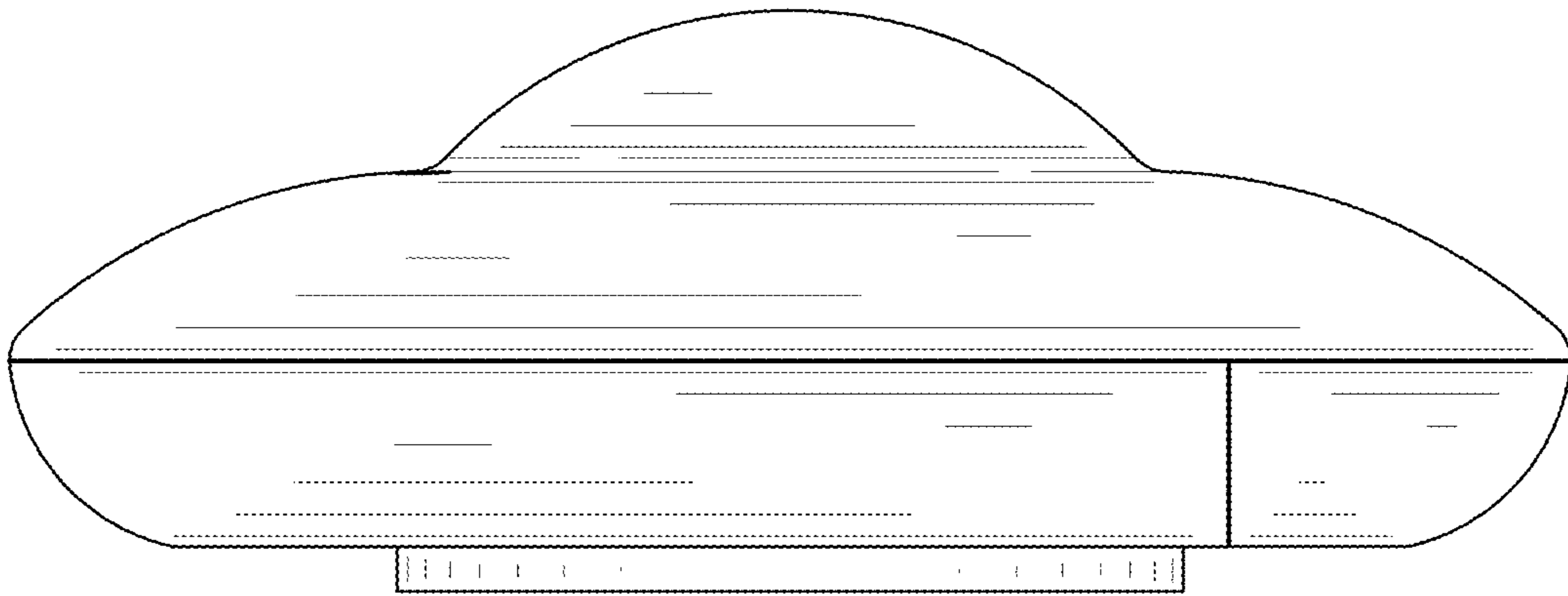


FIG. 6

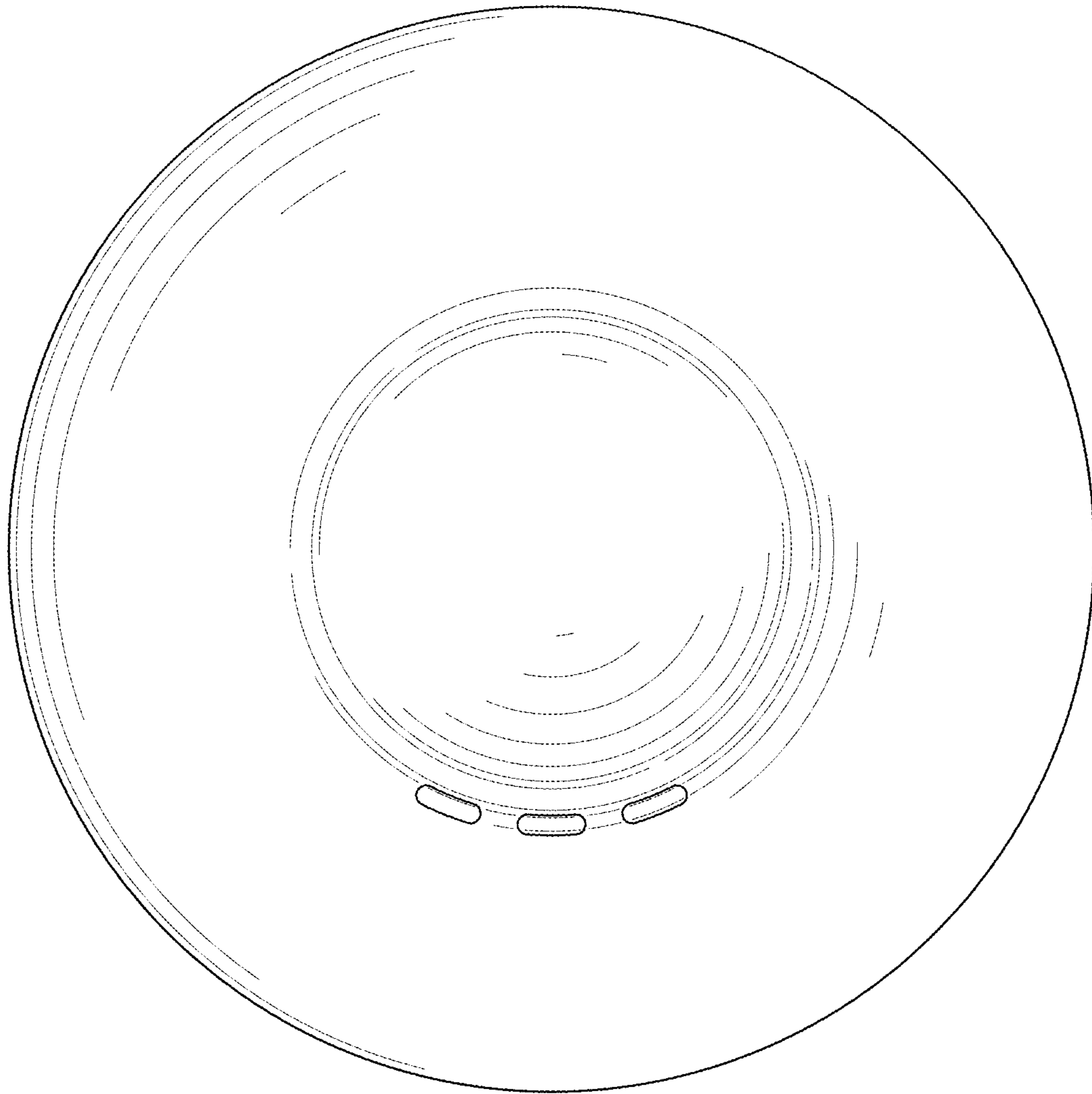


FIG. 7

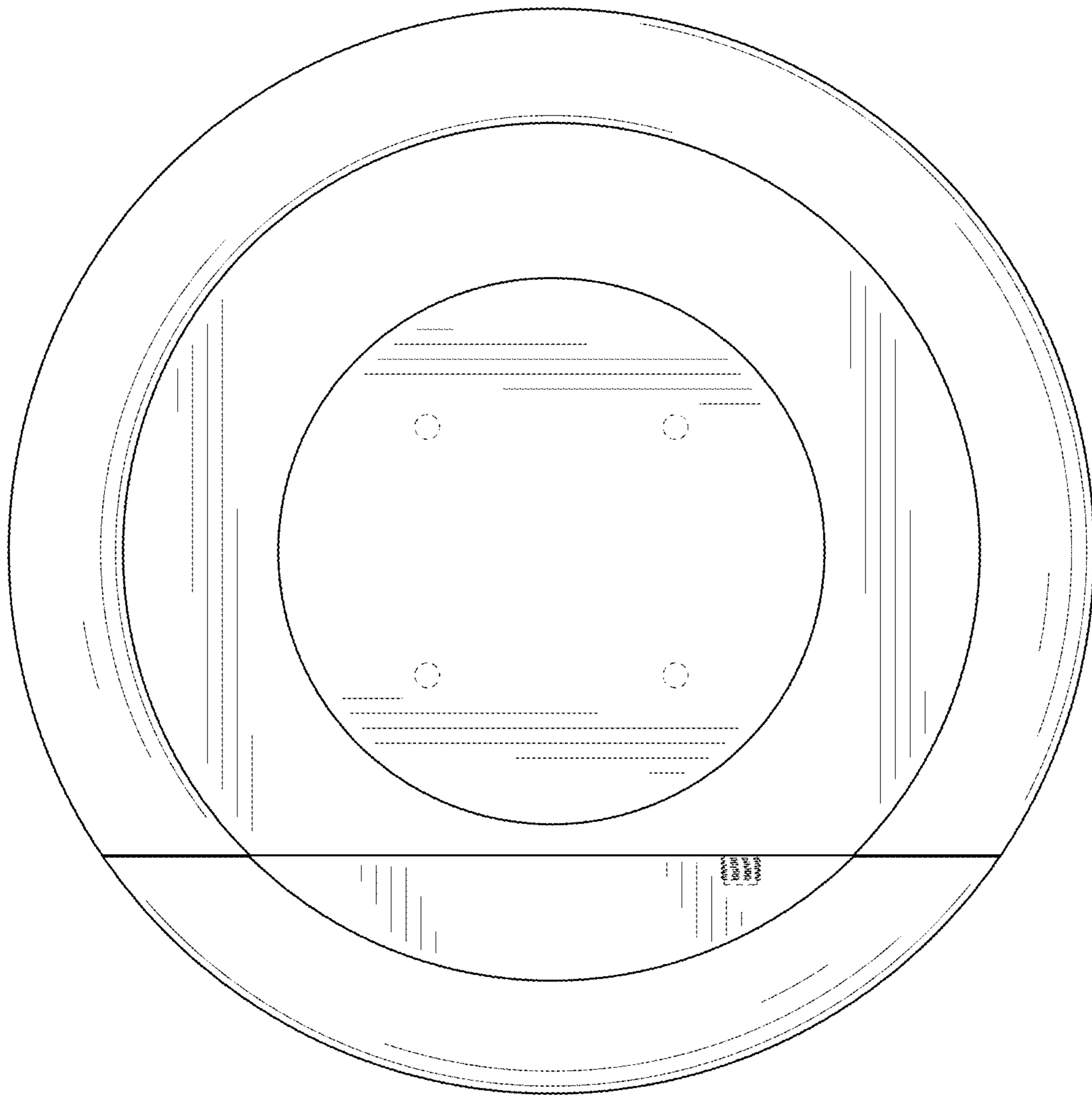


FIG. 8