



US00D984443S

(12) **United States Design Patent**  
**Wu**

(10) **Patent No.:** **US D984,443 S**

(45) **Date of Patent:** **\*\* Apr. 25, 2023**

(54) **SMART WATCH**

(71) Applicant: **Xianghua Wu**, Wuhan (CN)

(72) Inventor: **Xianghua Wu**, Wuhan (CN)

(\*\*) Term: **15 Years**

(21) Appl. No.: **29/882,310**

(22) Filed: **Jan. 12, 2023**

(51) **LOC (14) Cl.** ..... **14-02**

(52) **U.S. Cl.**  
USPC ..... **D14/344**

(58) **Field of Classification Search**  
USPC .... D14/138 R, 344; D10/30, 31, 32, 38, 70;  
D11/3; D24/167  
CPC ..... G04G 17/00; G04G 17/06; G04G 17/08;  
G04G 17/083; G04G 17/045; G04G  
21/00; G04G 21/02; G04G 21/025; G04G  
21/06; G04G 21/08; G04G 99/006; G06F  
1/163; A44C 5/00; A44C 5/0007; A44C  
5/0015; A44C 5/02; A44C 5/022; A44C  
5/025; A44C 5/027; A44C 5/22; A44C  
5/246

See application file for complete search history.

(56) **References Cited**

**U.S. PATENT DOCUMENTS**

D881,185 S *	4/2020	He	.....	D14/344
D889,459 S	7/2020	Zhang		
D922,376 S *	6/2021	Zheng	.....	D14/344
D929,989 S	9/2021	Han		
D935,453 S *	11/2021	Gao	.....	D14/344
D940,706 S *	1/2022	Wu	.....	D14/344
D949,711 S *	4/2022	Huang	.....	D10/32
D951,125 S *	5/2022	Xia	.....	D11/3
D962,230 S *	8/2022	Gao	.....	D14/344
D962,231 S *	8/2022	Gao	.....	D14/344
D962,232 S *	8/2022	Gao	.....	D14/344
D962,233 S *	8/2022	Gao	.....	D14/344

D963,639 S *	9/2022	Zhang	.....	D14/344
D970,500 S *	11/2022	Tang	.....	D14/344
D971,207 S *	11/2022	Zhu	.....	D14/344
D971,208 S *	11/2022	Hu	.....	D14/344
D972,431 S *	12/2022	Huang	.....	D10/32

(Continued)

**OTHER PUBLICATIONS**

Smart Watch for Men Fitness Tracker: Bluetooth (Answer/Make Call) Tactical Military Waterproof Smartwatch for Android Phones, www.amazon.com, Sep. 26, 2022. <https://www.amazon.com/Smart-Watch-Men-Fitness-Tracker/dp/B0BGHNRPLV/> (Year: 2022).\*

(Continued)

*Primary Examiner* — Llorellys Martinez

*Assistant Examiner* — Kwabena A. Ankobiah

(74) *Attorney, Agent, or Firm* — Georgi Korobanov

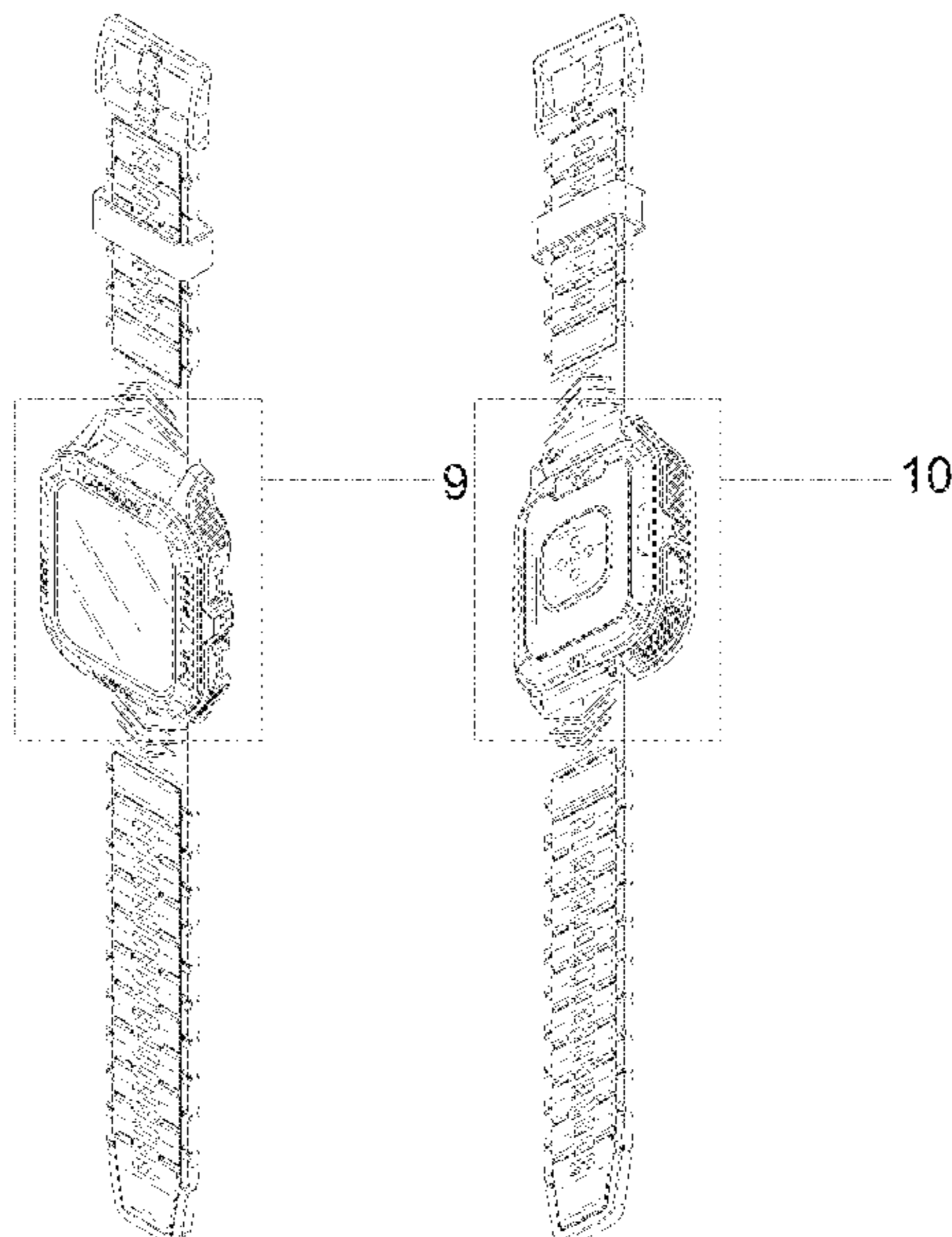
(57) **CLAIM**

The ornamental design for a smart watch, as shown and described.

**DESCRIPTION**

FIG. 1 is a front, right and top perspective view of a smart watch, showing my new design;  
FIG. 2 is a rear, left and bottom perspective view thereof;  
FIG. 3 is a front view thereof;  
FIG. 4 is a rear view thereof;  
FIG. 5 is a left side view thereof;  
FIG. 6 is a right side view thereof;  
FIG. 7 is an enlarged top plan view thereof;  
FIG. 8 is an enlarged bottom plan view thereof;  
FIG. 9 is an enlarged view of portion 9 shown in FIG. 1; and,  
FIG. 10 is an enlarged view of portion 10 shown in FIG. 2. The dot-dash broken lines in FIGS. 1, 2, 9, and 10 are included to show a partially enlarged view only and form no part of the claimed design.

**1 Claim, 10 Drawing Sheets**



(56)

**References Cited**

U.S. PATENT DOCUMENTS

D974,185 S \* 1/2023 He ..... D10/32

OTHER PUBLICATIONS

Zyczwl Military Smart Watches for Men with Bluetooth Call(Answer/Dial Calls) Tactical Outdoor Sports Smartwatch for Android and iPhone 5ATM Waterproof Fitness Tracker, www.amazon.com, Nov. 1, 2022. <https://www.amazon.com/dp/B0BL3KL7FV/> (Year: 2022).\*  
Amaztim Smart Watches for Men , 100M Waterproof Rugged Military Grade Bluetooth Call(Answer/Dial Calls) , Health Tracker for Android Phones and iPhone Compatible , 1.72" Heart Rate/Blood Pressure Watch, www.amazon.com, Apr. 14, 2022. <https://www.amazon.com/dp/B0B8MMQMVX/> (Year: 2022).\*

\* cited by examiner

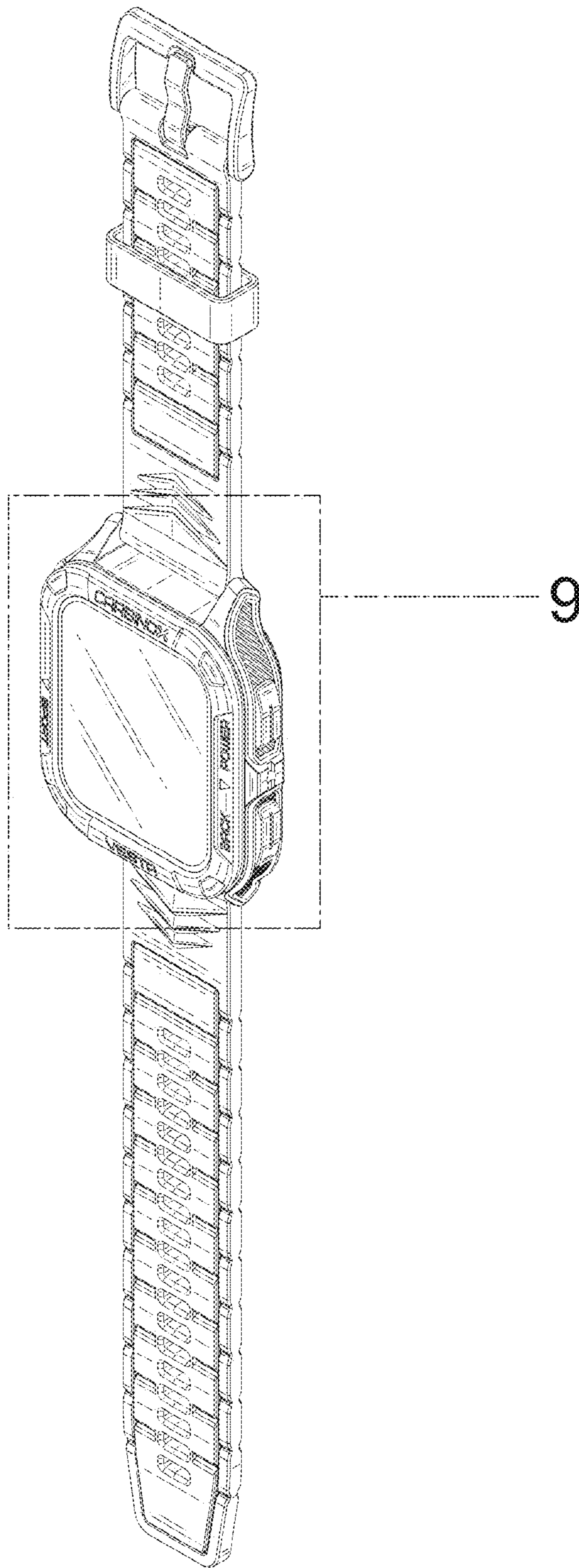


FIG. 1

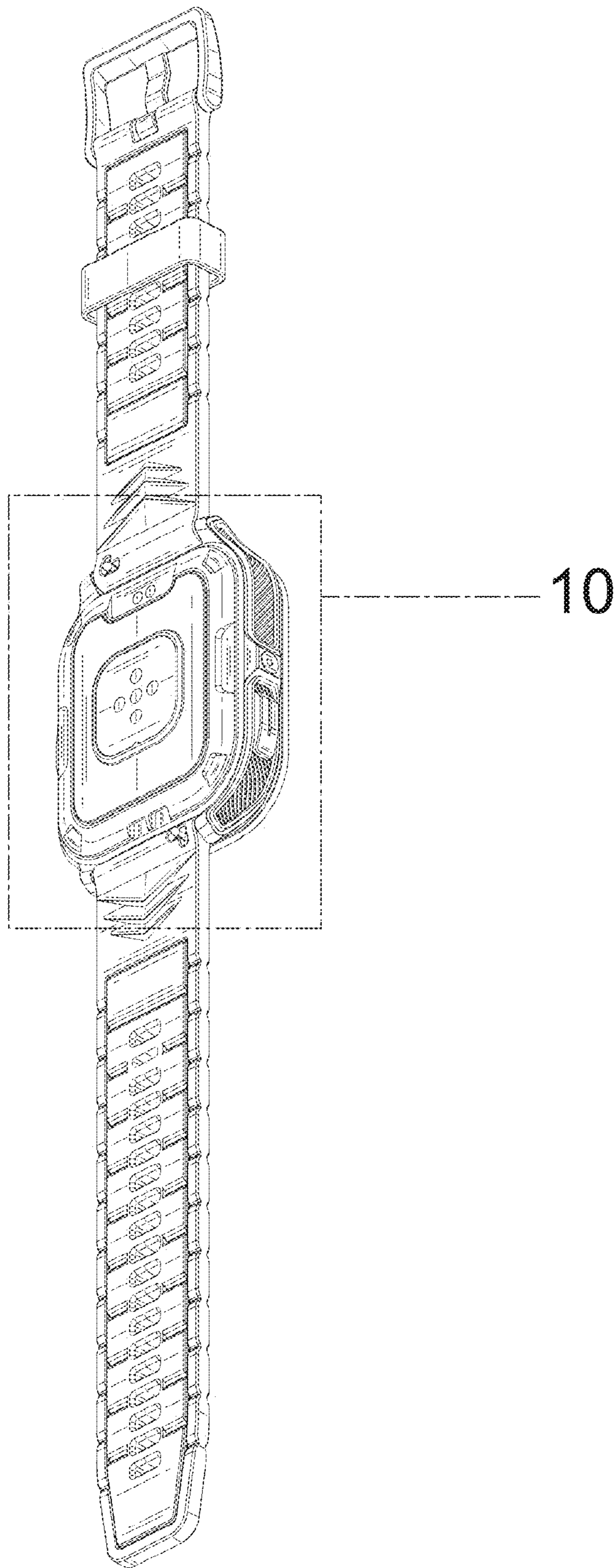


FIG. 2

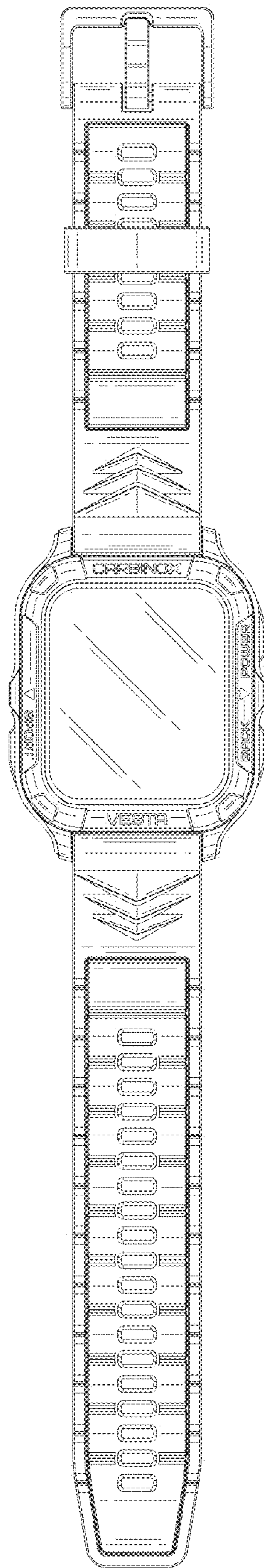


FIG. 3

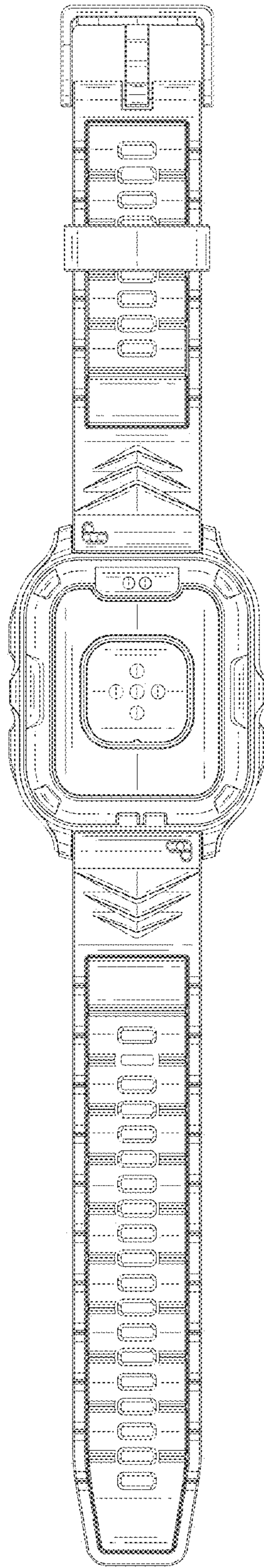


FIG. 4

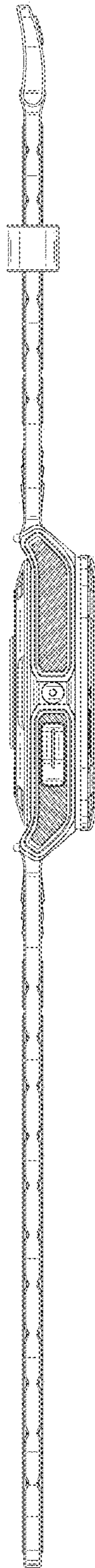


FIG. 5

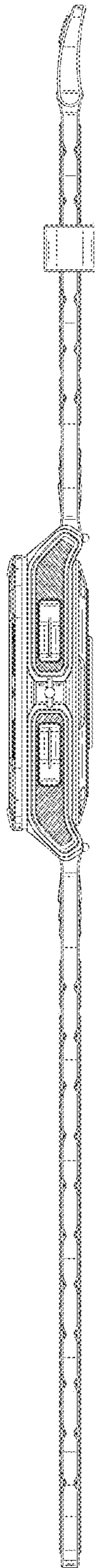


FIG. 6



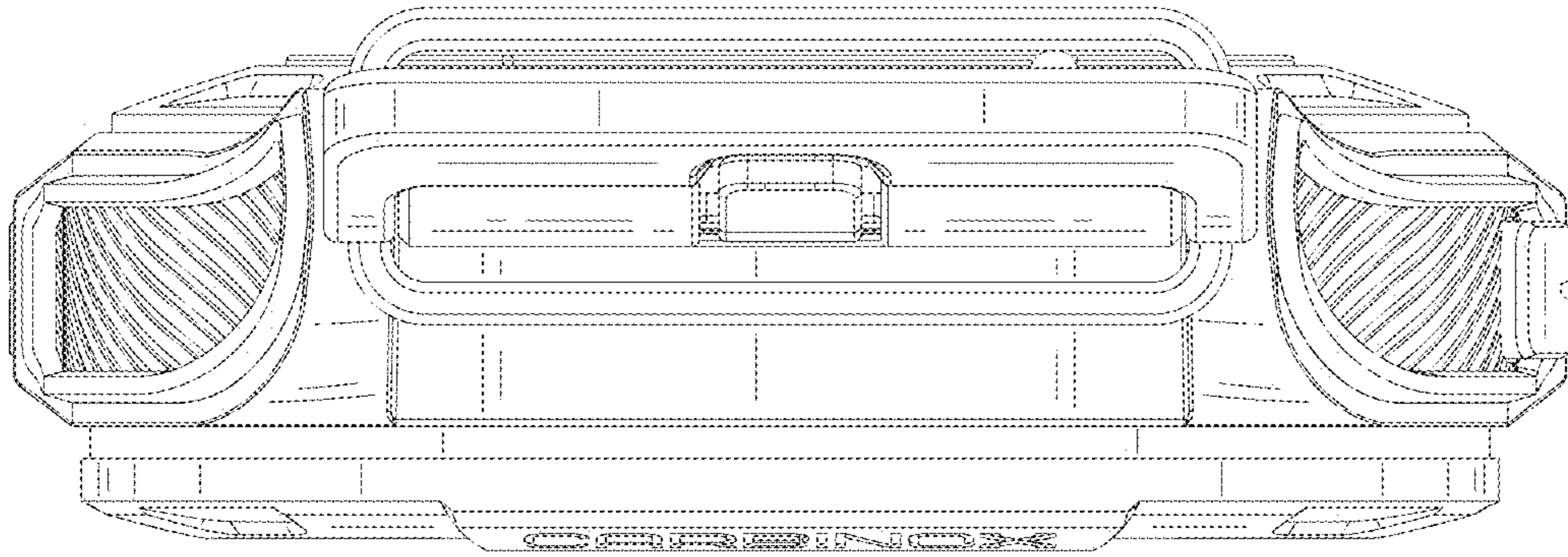


FIG. 7

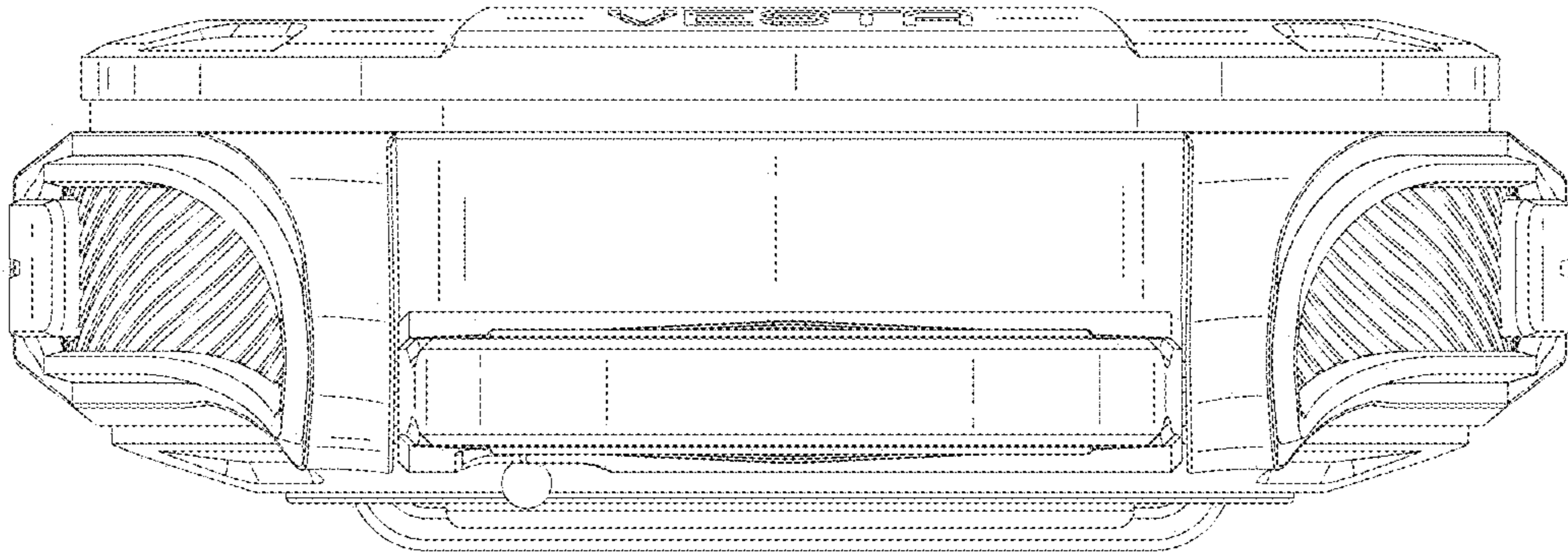


FIG. 8

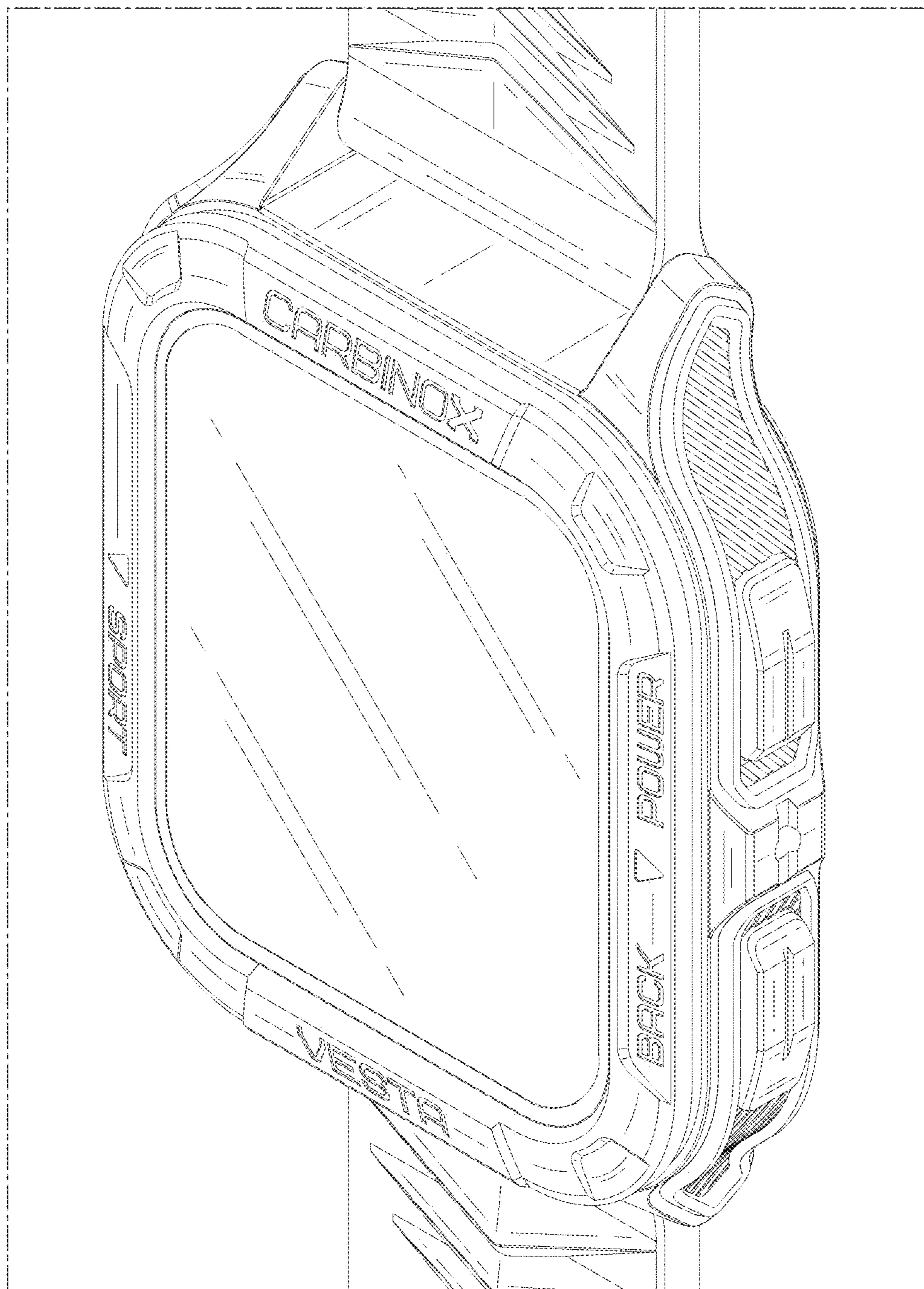


FIG. 9

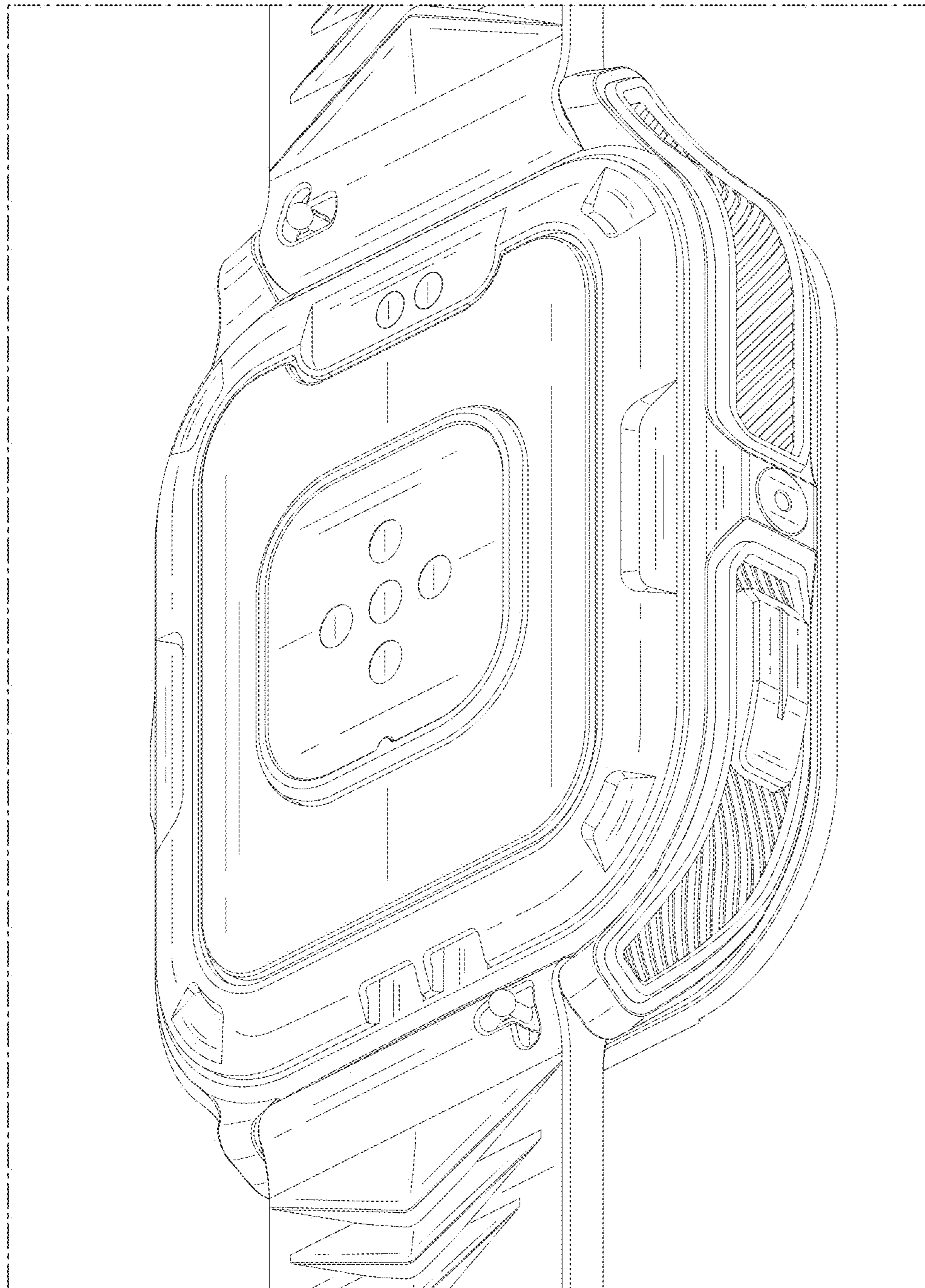


FIG. 10