



US00D984442S

(12) **United States Design Patent**
Wu

(10) **Patent No.:** **US D984,442 S**
(45) **Date of Patent:** **** Apr. 25, 2023**

- (54) **SMART WATCH**
- (71) Applicant: **Xianghua Wu**, Wuhan (CN)
- (72) Inventor: **Xianghua Wu**, Wuhan (CN)
- (**) Term: **15 Years**
- (21) Appl. No.: **29/882,309**
- (22) Filed: **Jan. 12, 2023**
- (51) **LOC (14) Cl.** **14-02**
- (52) **U.S. Cl.**
USPC **D14/344**
- (58) **Field of Classification Search**
USPC D14/138 R, 344; D10/30, 31, 32, 38, 70;
D11/3; D24/167
CPC G04G 17/00; G04G 17/06; G04G 17/08;
G04G 17/083; G04G 17/045; G04G
21/00; G04G 21/02; G04G 21/025; G04G
21/06; G04G 21/08; G04G 99/006; G06F
1/163; A44C 5/00; A44C 5/0007; A44C
5/0015; A44C 5/02; A44C 5/022; A44C
5/025; A44C 5/027; A44C 5/22; A44C
5/246

See application file for complete search history.

(56) **References Cited**

U.S. PATENT DOCUMENTS

D726,675 S *	4/2015	Choi	D14/344
D828,832 S *	9/2018	Wang	D14/344
D858,311 S	9/2019	Zhang		
D874,300 S *	2/2020	Xie	D14/344
D893,322 S *	8/2020	Xiao	D10/70
D901,492 S *	11/2020	Gao	D14/344
D918,059 S *	5/2021	Wang	D14/344
D921,625 S *	6/2021	Lee	D14/344
D923,004 S *	6/2021	Gao	D14/344
D927,485 S *	8/2021	Wu	D14/344
D928,633 S *	8/2021	Register	D14/344
D944,100 S *	2/2022	Register	D10/128
D945,415 S	3/2022	Chao		

D951,125 S *	5/2022	Xia	D11/3
D964,865 S *	9/2022	Huang	D10/32
D973,656 S *	12/2022	Chung	D14/344
D974,184 S *	1/2023	He	D10/32
D975,085 S *	1/2023	He	D14/344

(Continued)

OTHER PUBLICATIONS

Amazfit T-Rex 2 Smart Watch for Men, Dual-Band & 5 Satellite Positioning, www.amazon.com, May 24, 2022. <https://www.amazon.com/Amazfit-Positioning-Temperature-Smartwatch-Navigation-Black/dp/B09XVDX497/> (Year: 2022).*

(Continued)

Primary Examiner — Llorellys Martinez
Assistant Examiner — Kwabena A. Ankobiah
(74) *Attorney, Agent, or Firm* — Georgi Korobanov

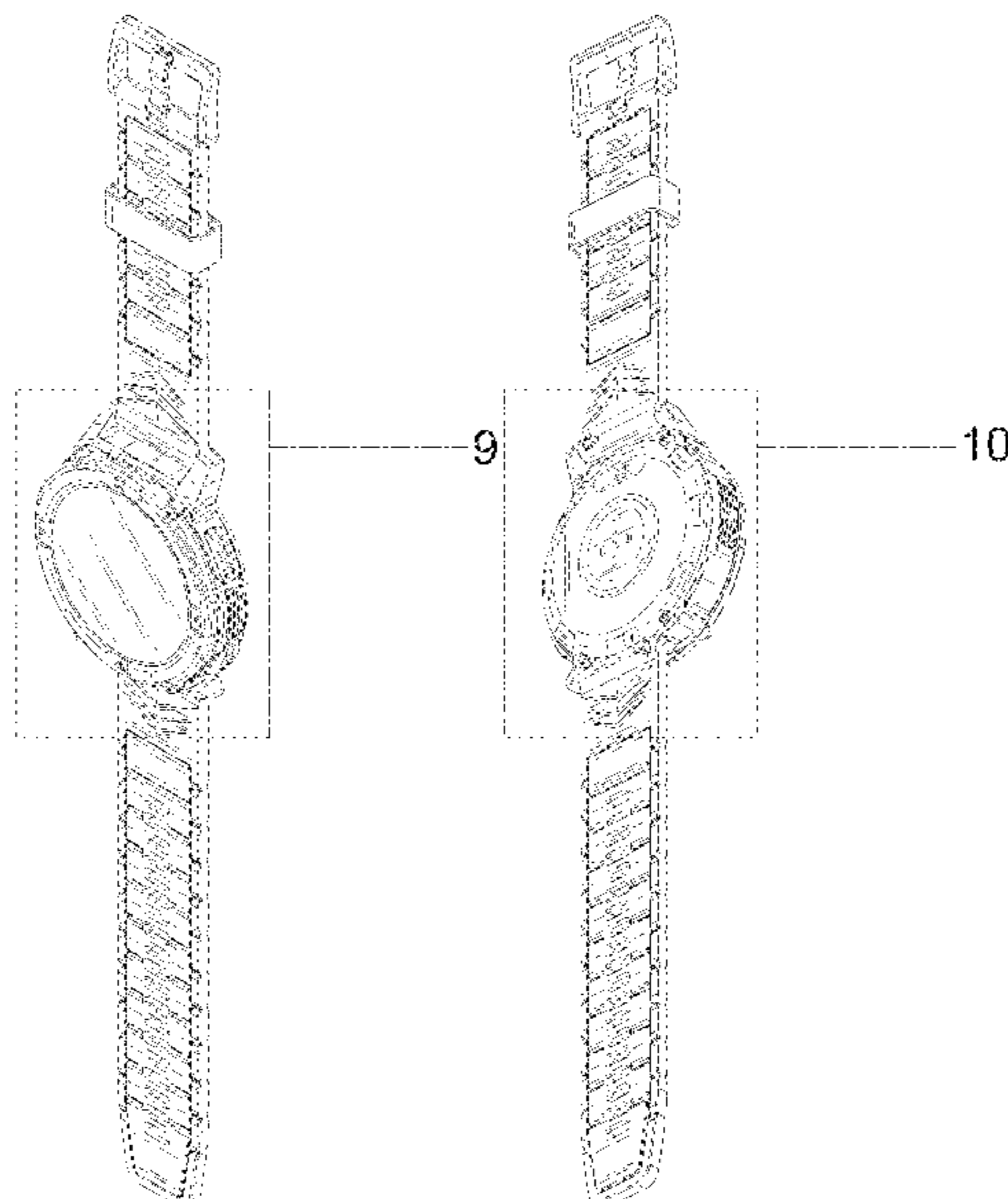
(57) **CLAIM**

The ornamental design for a smart watch, as shown and described.

DESCRIPTION

FIG. 1 is a front, right and top perspective view of a smart watch, showing my new design;
FIG. 2 is a rear, left and bottom perspective view thereof;
FIG. 3 is a front view thereof;
FIG. 4 is a rear view thereof;
FIG. 5 is a left side view thereof;
FIG. 6 is a right side view thereof;
FIG. 7 is an enlarged top plan view thereof;
FIG. 8 is an enlarged bottom plan view thereof;
FIG. 9 is an enlarged view of portion 9 shown in FIG. 1; and,
FIG. 10 is an enlarged view of portion 10 shown in FIG. 2.
The dot-dash broken lines in FIGS. 1, 2, 9, and 10 are included to show a partially enlarged view only and form no part of the claimed design.

1 Claim, 10 Drawing Sheets



(56)

References Cited

U.S. PATENT DOCUMENTS

D976,255 S * 1/2023 Chung D14/344

OTHER PUBLICATIONS

Smartwatch, Smart Watch for Men Military Outdoor Tactical with Heart Rate and Sleep Monitor, www.amazon.com, Jul. 23, 2023. <https://www.amazon.com/dp/B0B7D8FKGL/> (Year: 2023).*

Garmin Instinct Crossover Solar, Rugged Hybrid Smartwatch with Solar Charging Capabilities, Analog Hands and Digital Display, Graphite, www.amazon.com, Jan. 1, 2023. <https://www.amazon.com/Garmin-Instinct-Crossover-Smartwatch-Capabilities/dp/B0BHTV7MCG/> (Year: 2023).*

* cited by examiner

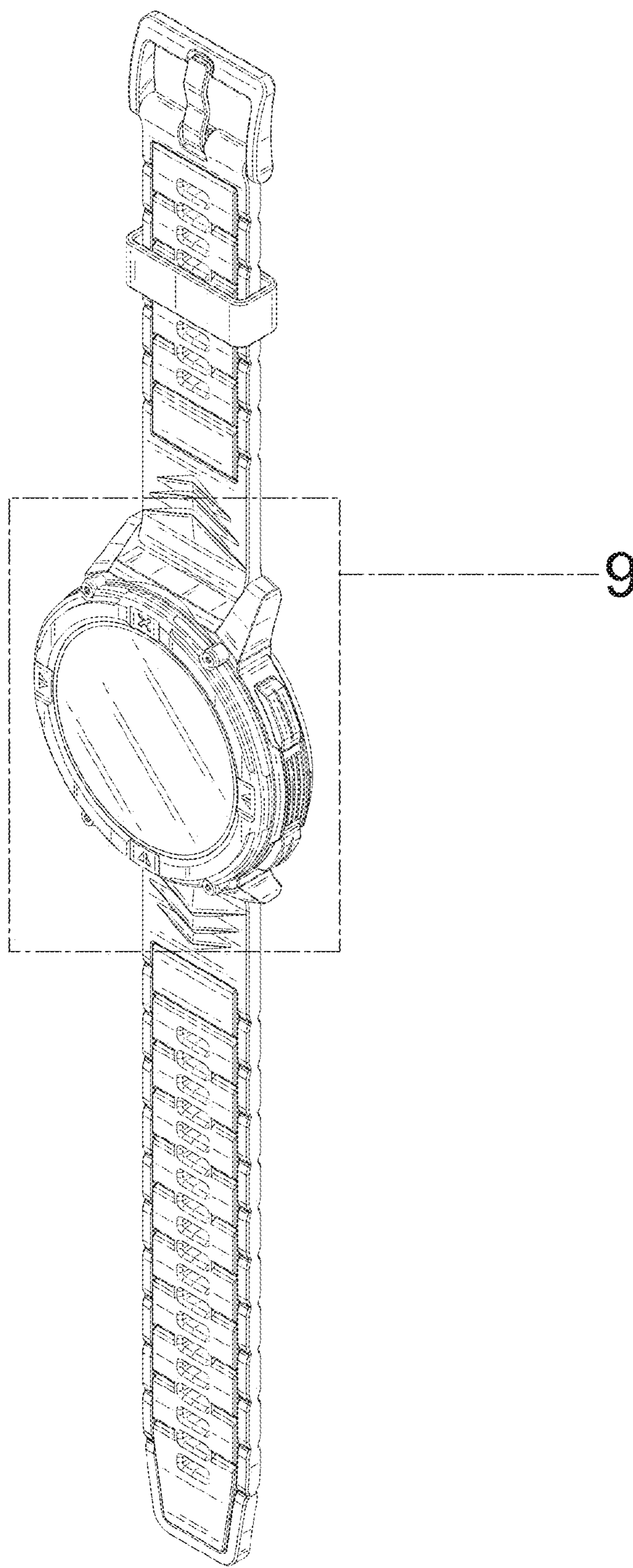


FIG. 1

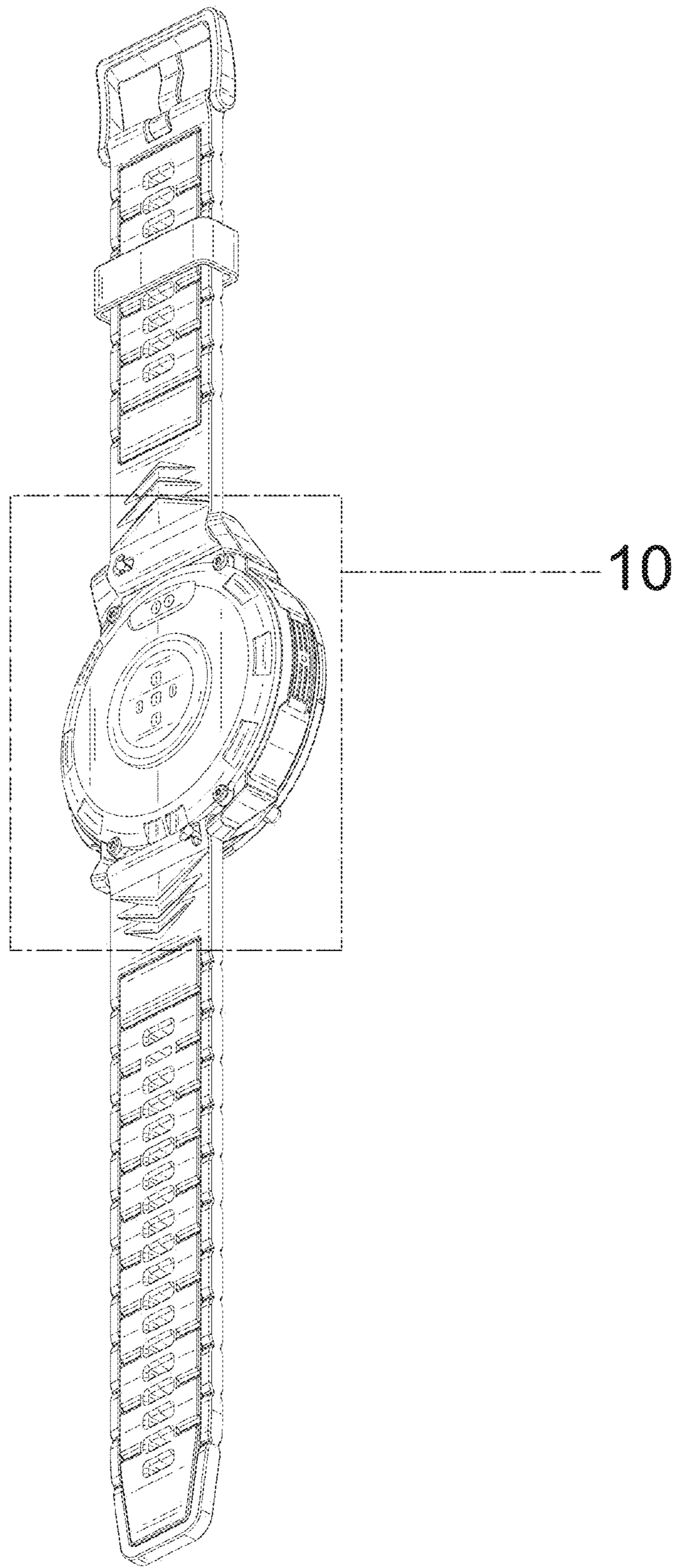


FIG. 2

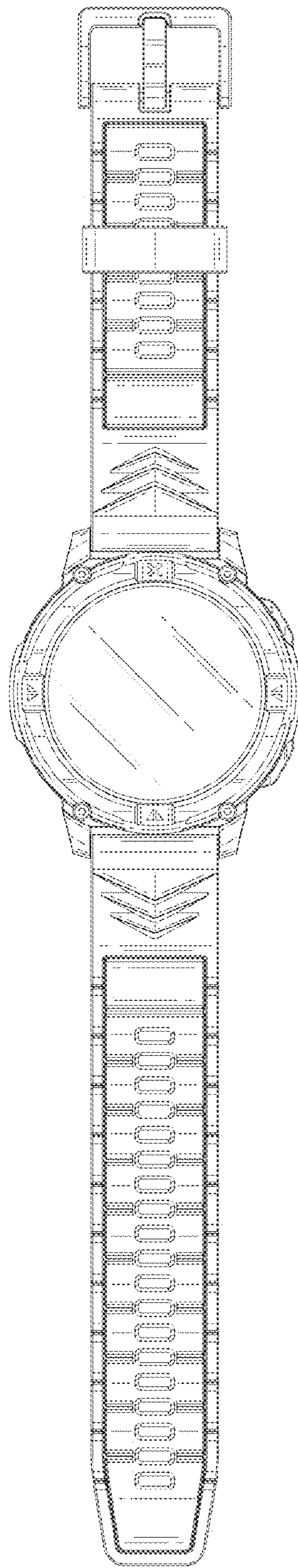


FIG. 3

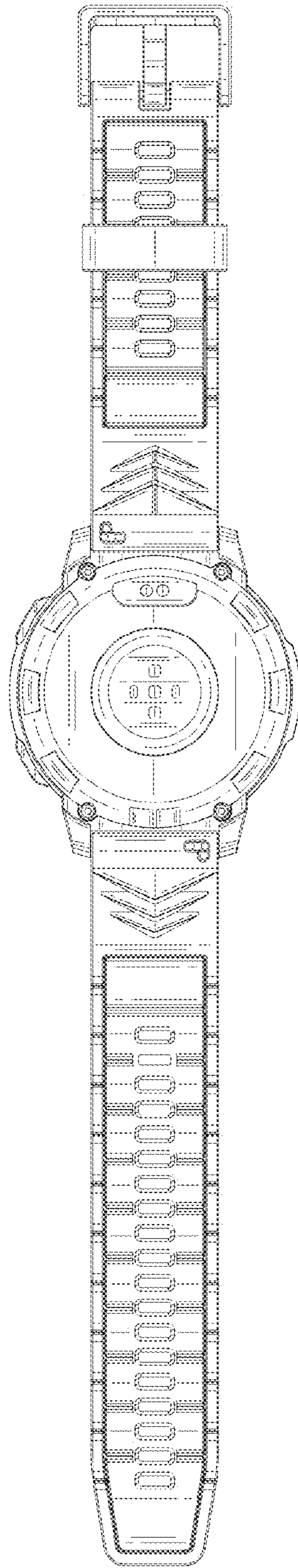


FIG. 4

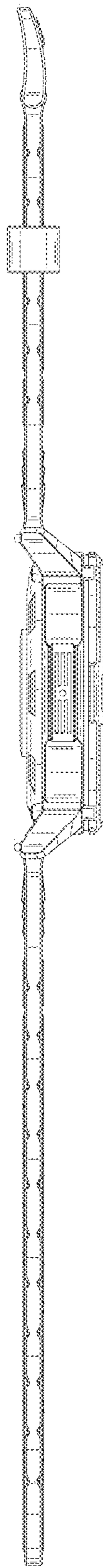


FIG. 5

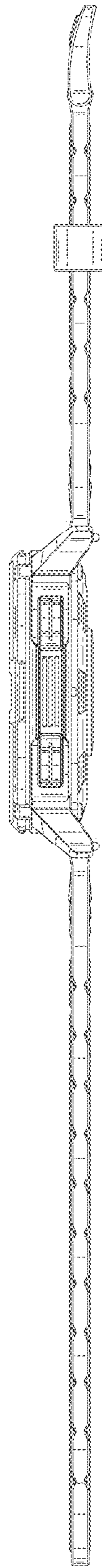


FIG. 6

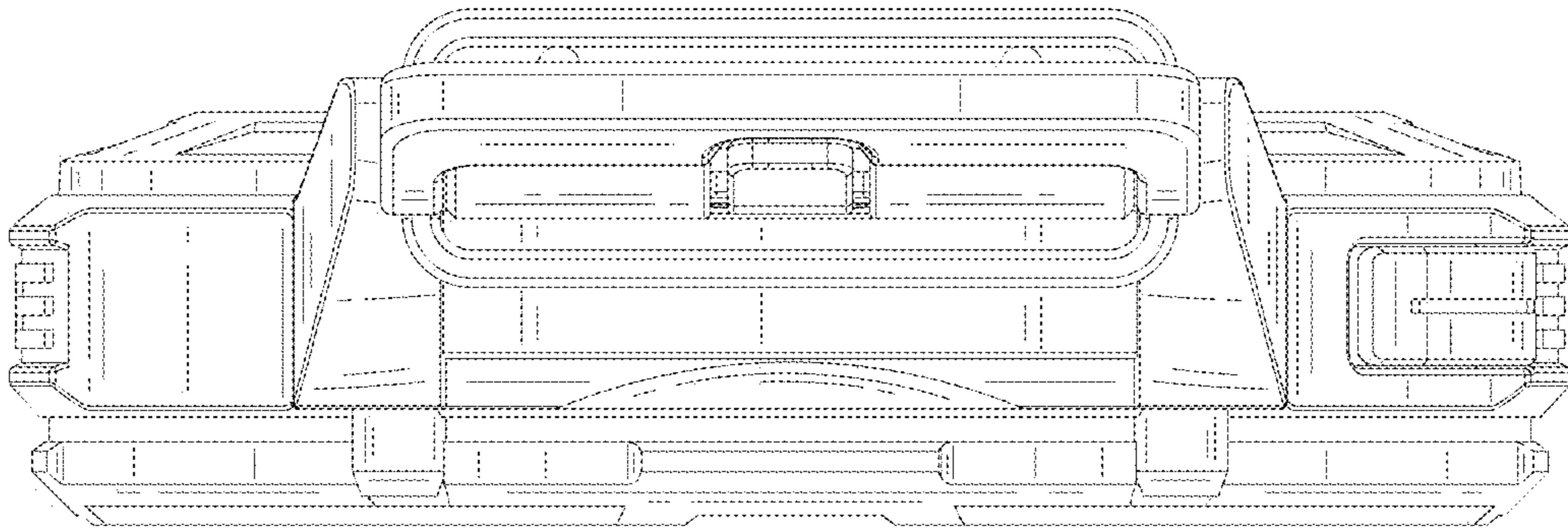


FIG. 7

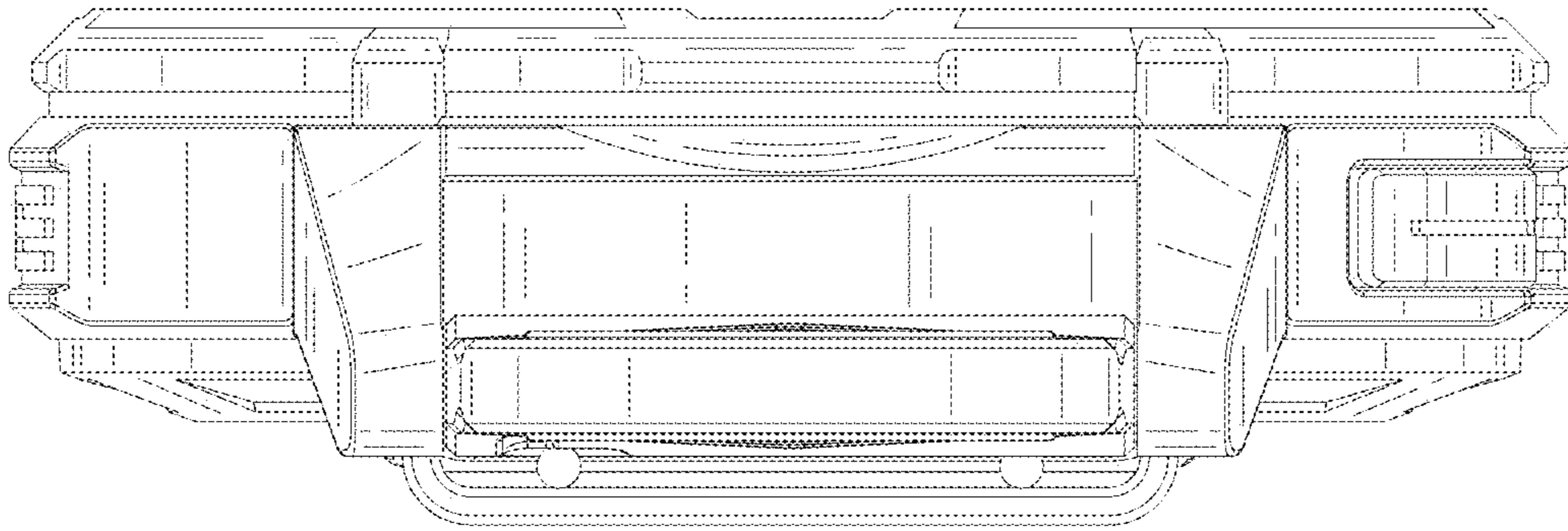


FIG. 8

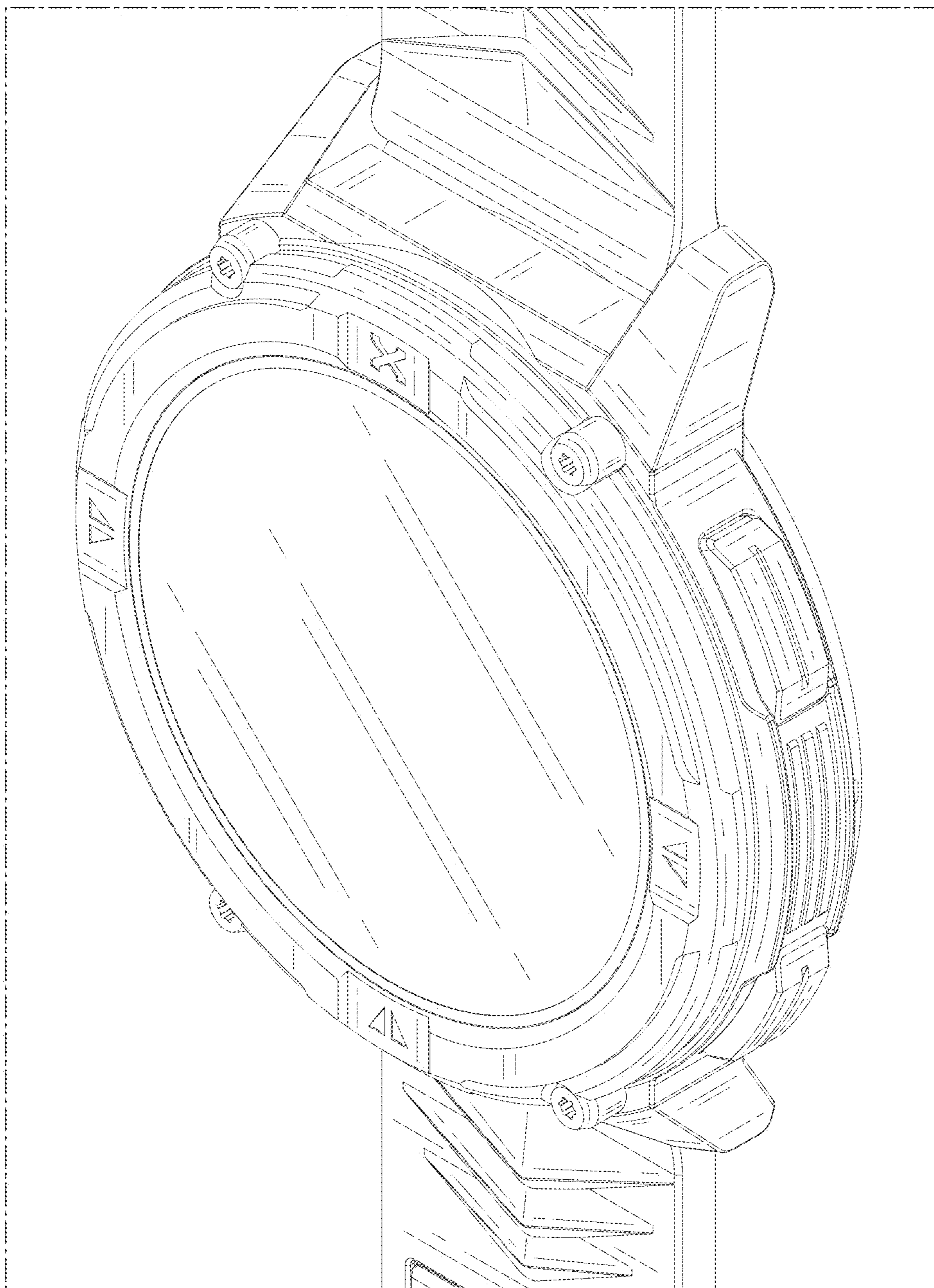


FIG. 9

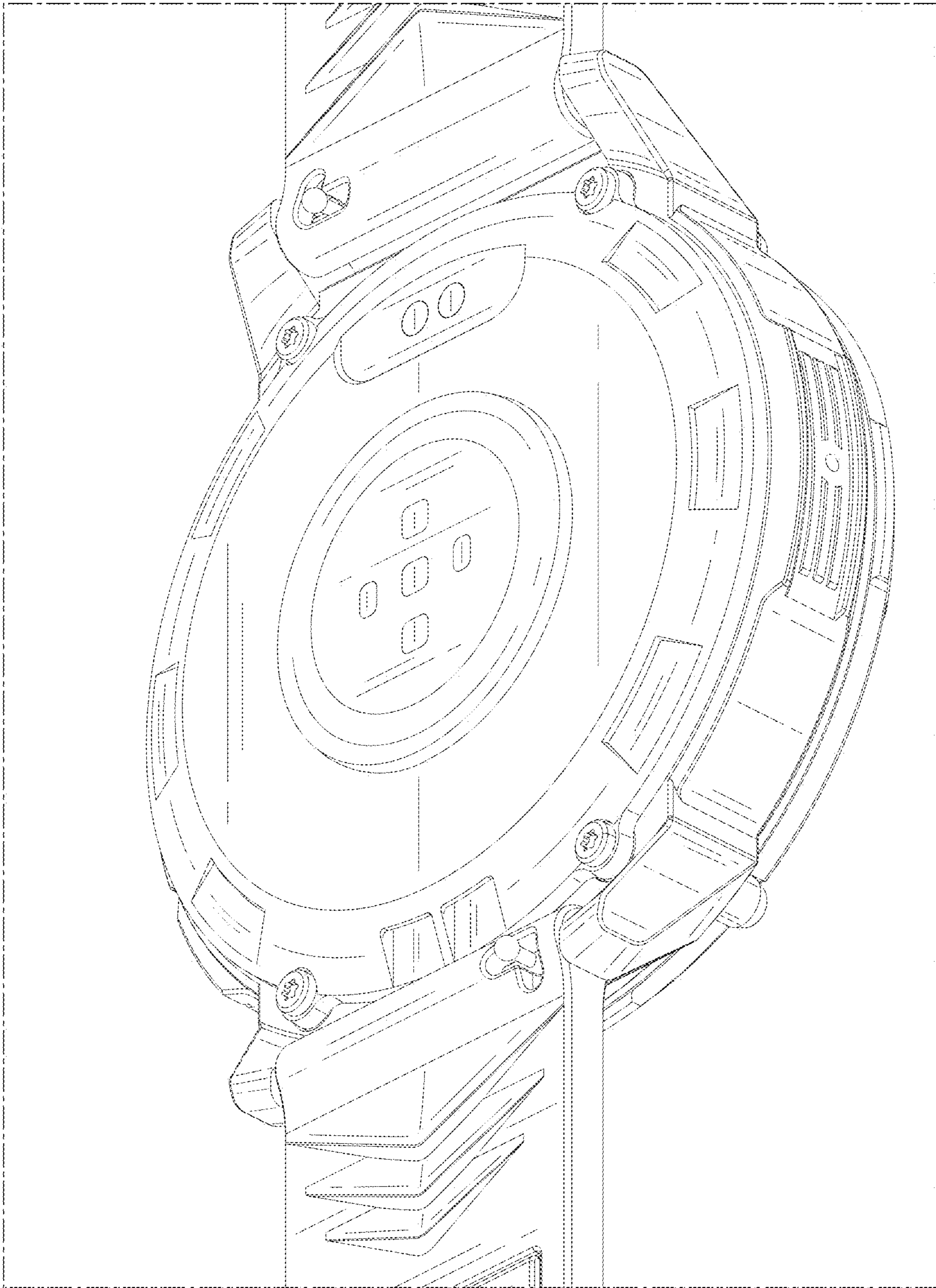


FIG. 10