

US00D984441S

(12) **United States Design Patent**  
**He et al.**

(10) **Patent No.:** **US D984,441 S**

(45) **Date of Patent:** **\*\* \*Apr. 25, 2023**

(54) **SMARTWATCH**

(71) Applicant: **SHENZHEN DO INTELLIGENT TECHNOLOGY CO., LTD.**, Shenzhen (CN)

(72) Inventors: **An He**, Shenzhen (CN); **Yuanyuan Chen**, Shenzhen (CN)

(73) Assignee: **SHENZHEN DO INTELLIGENT TECHNOLOGY CO., LTD.**, Shenzhen (CN)

(\*) Notice: This patent is subject to a terminal disclaimer.

(\*\*) Term: **15 Years**

(21) Appl. No.: **29/829,966**

(22) Filed: **Mar. 9, 2022**

(30) **Foreign Application Priority Data**

Dec. 10, 2021 (CN) ..... 202130819447.2

(51) **LOC (14) Cl.** ..... **14-02**

(52) **U.S. Cl.**  
USPC ..... **D14/344**

(58) **Field of Classification Search**  
USPC ..... D14/138 R, 344; D10/30-32, 38, 70; D11/3; D24/167  
CPC ..... G04G 17/00; G04G 17/045; G04G 17/08; G04G 17/083; G04G 21/00; G04G 21/02; G04G 21/025; G04G 21/06; G04G 21/08; G04G 99/006; G06F 1/163; A44C 5/0007; A44C 5/0015; A44C 5/0046; A44C 5/0053; A44C 5/2052; A44C 5/2071

See application file for complete search history.

(56) **References Cited**

**U.S. PATENT DOCUMENTS**

D771,036 S \* 11/2016 Akana ..... D14/344  
D842,855 S \* 3/2019 Akana ..... D14/344

D843,864 S \* 3/2019 Vandenbussche ..... D10/70  
D869,462 S 12/2019 Ke  
D887,406 S \* 6/2020 Mao ..... D14/344  
D889,459 S \* 7/2020 Zhang ..... D14/344  
D900,809 S \* 11/2020 Gao ..... D14/344

(Continued)

**FOREIGN PATENT DOCUMENTS**

CN 306711506 7/2021  
CN 306759389 8/2021

(Continued)

**OTHER PUBLICATIONS**

BoAt Storm Smartwatch Unboxing, www.youtube.com, Nov. 5, 2020. <https://www.youtube.com/watch?v=BGvzkT2w5C0> (Year: 2020).\*

(Continued)

*Primary Examiner* — Llorellys Martinez

*Assistant Examiner* — Kwabena A. Ankobiah

(74) *Attorney, Agent, or Firm* — Perry + Currier

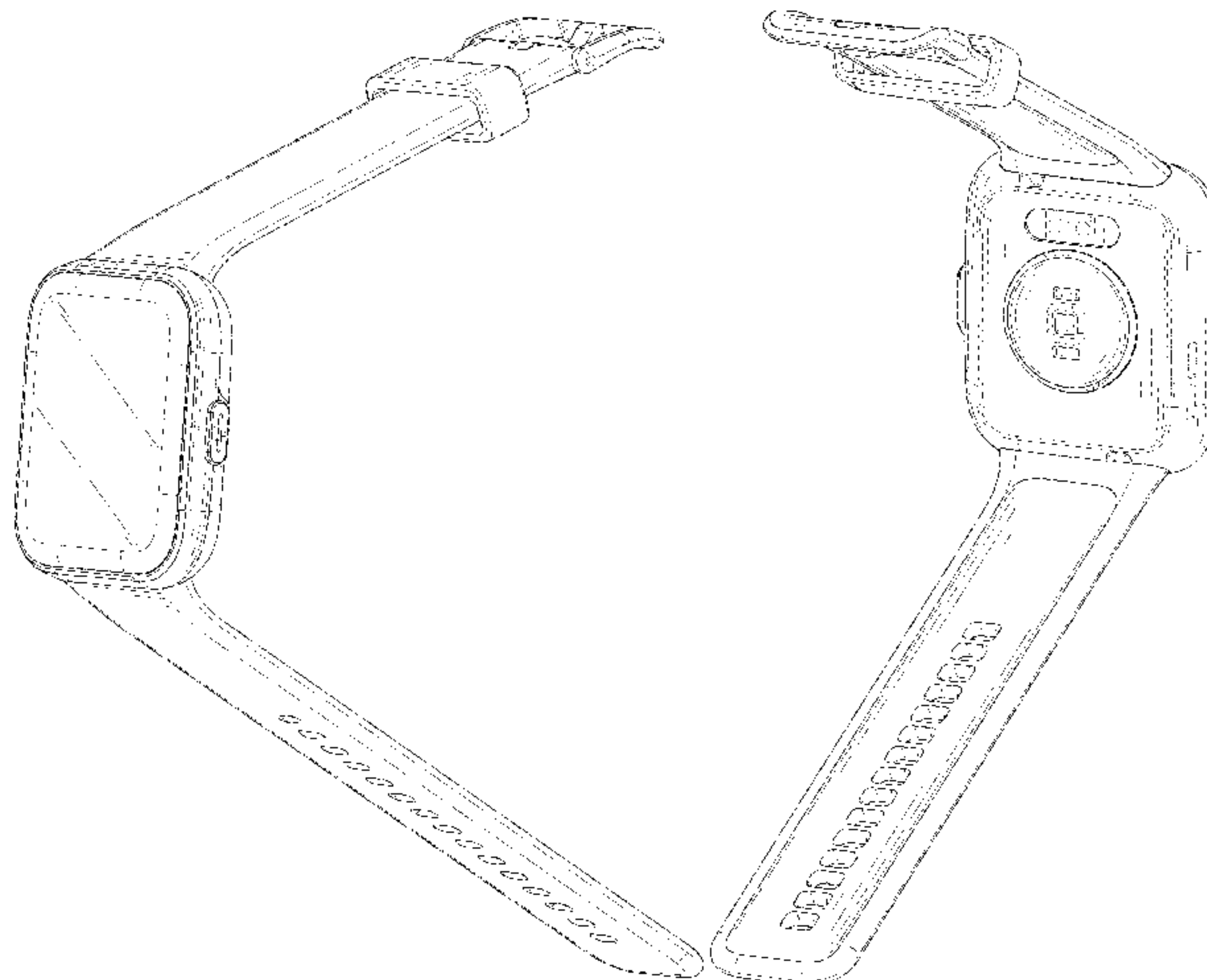
(57) **CLAIM**

The ornamental design for a smartwatch, as shown and described.

**DESCRIPTION**

FIG. 1 is a front, right and top side perspective view of a smartwatch showing our new design;  
FIG. 2 is a rear and left side perspective view thereof;  
FIG. 3 is a front elevation view thereof;  
FIG. 4 is a rear elevation view thereof;  
FIG. 5 is a left side elevation view thereof;  
FIG. 6 is a right side elevation view thereof;  
FIG. 7 is a top plan view thereof; and,  
FIG. 8 is a bottom plan view thereof.  
The broken lines shown in the drawings represent portions of the smartwatch that form no part of the claimed design.

**1 Claim, 8 Drawing Sheets**



(56)

References Cited

U.S. PATENT DOCUMENTS

D900,810 S 11/2020 Ke  
 D901,493 S \* 11/2020 Gao ..... D14/344  
 D910,617 S \* 2/2021 Vandebussche ..... D14/344  
 D922,378 S \* 6/2021 Lin ..... D14/344  
 D926,753 S \* 8/2021 Wu ..... D14/344  
 D927,484 S \* 8/2021 Wu ..... D14/344  
 D928,148 S \* 8/2021 Wu ..... D14/344  
 D929,989 S \* 9/2021 Han ..... D14/344  
 D934,860 S \* 11/2021 King ..... D14/344  
 D935,453 S \* 11/2021 Gao ..... D14/344  
 D939,499 S \* 12/2021 Lin ..... D14/344  
 D940,705 S \* 1/2022 Lin ..... D14/344  
 D940,706 S \* 1/2022 Wu ..... D14/344  
 D945,992 S \* 3/2022 Zhu ..... D14/344  
 D947,179 S \* 3/2022 Yin ..... D14/344  
 D947,183 S \* 3/2022 Wu ..... D14/344  
 D951,108 S \* 5/2022 Huang ..... D14/344  
 D962,231 S \* 8/2022 Gao ..... D14/344  
 D962,232 S \* 8/2022 Gao ..... D14/344  
 D962,233 S \* 8/2022 Gao ..... D14/344  
 D962,234 S \* 8/2022 He ..... D14/344  
 D963,639 S \* 9/2022 Zhang ..... D14/344  
 D969,628 S \* 11/2022 Akana ..... D10/70  
 D969,804 S \* 11/2022 Akana ..... D10/70

FOREIGN PATENT DOCUMENTS

GB 6162119 9/2021  
 JP 1685783 S 5/2021  
 JP 1695381 S 9/2021  
 JP 1700441 S 11/2021

OTHER PUBLICATIONS

Aikela Smartwatch ID205U (Review), [www.youtube.com](http://www.youtube.com), Mar. 29, 2021. <https://www.youtube.com/watch?v=x0iim3kdgYg> (Year: 2021).  
 Noise ColorFit Ultra Smart Watch with 1.75" [www.amazon.com](http://www.amazon.com), Jul. 13, 2021. <https://www.amazon.in/dp/B093HCLPJ5> (Year: 2021).  
 Boat Xtend 7Days Review, [www.youtube.com](http://www.youtube.com), Jul. 18, 2021. <https://www.youtube.com/watch?v=lO5Kj3UuW11> (Year: 2021).  
 amazfit.com, "Amazfit Bip S." Step Into A Colorful Life, Amazfit, 2021, Accessed on Mar. 4, 2022 at URL: <https://www.amazfit.com/en/bip-s>.  
 Bureau, Gadgets Now. "Boat Watch Xtend Review: Boat Watch Xtend Review: Good for Beginners." Gadgets Now, Oct. 27, 2021, Accessed on Mar. 4, 2022 at URL: <https://www.gadgetsnow.com/reviews/boat-watch-xtend-review-good-for-beginners/articleshow/83547199>.  
 exodusgadgets.com, "Amazfit Bip U Pro Smart Watch." Exodus Gadgets, date unknown, Accessed on Mar. 4, 2022 at URL: <https://exodusgadgets.com/product/amazfit-bip-u-pro-smart-watch/>.

\* cited by examiner

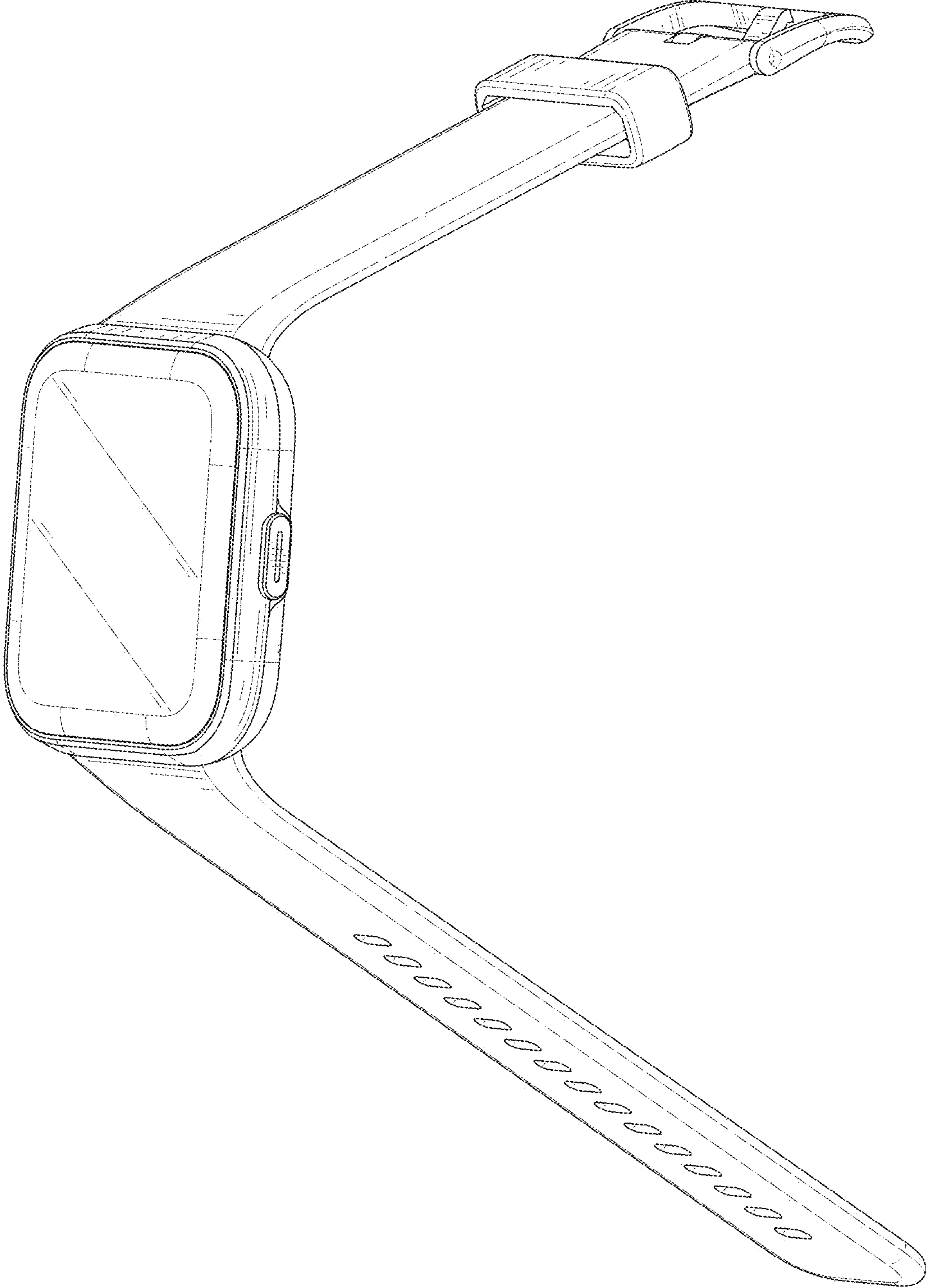


FIG. 1



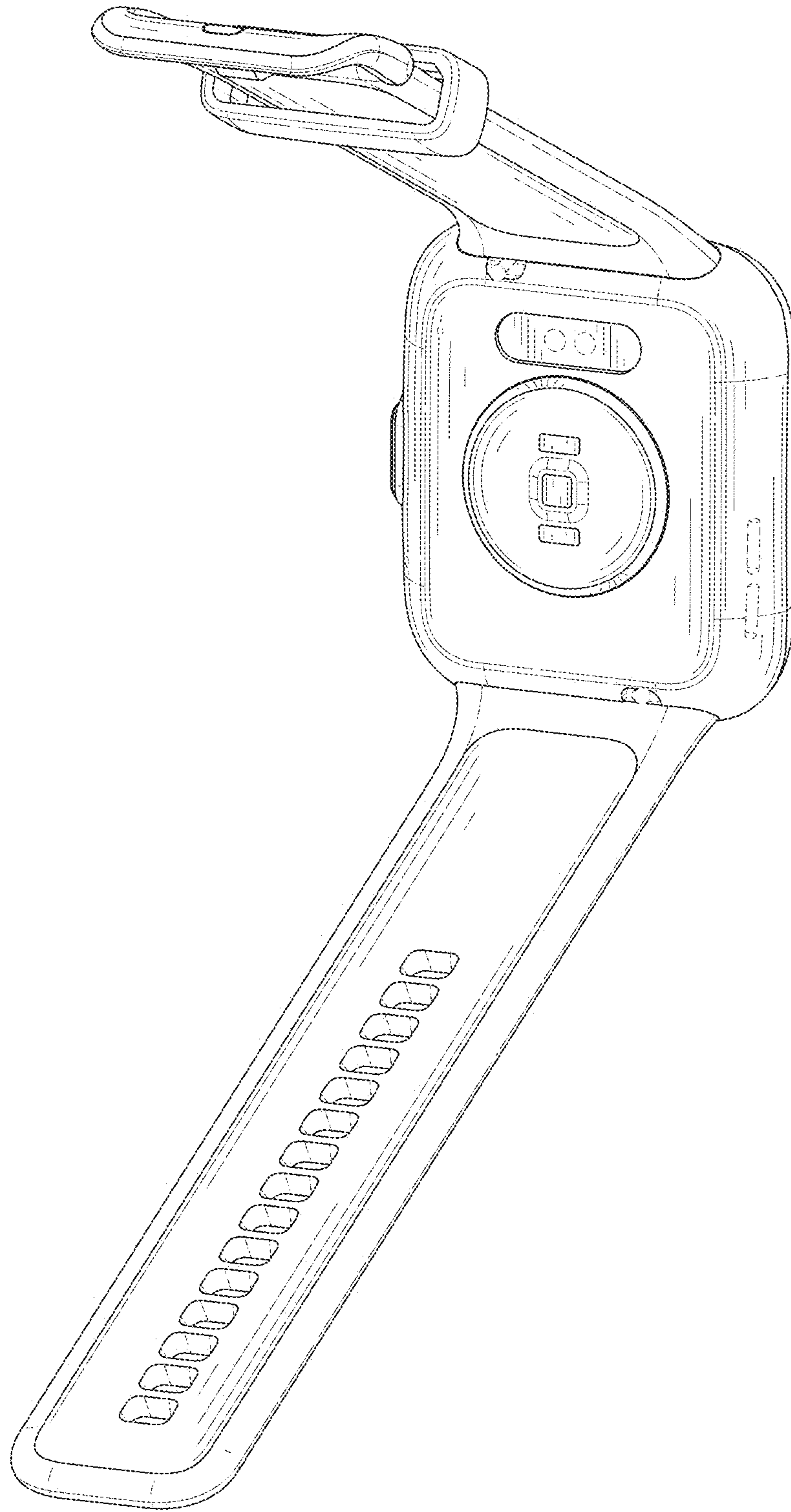


FIG. 2

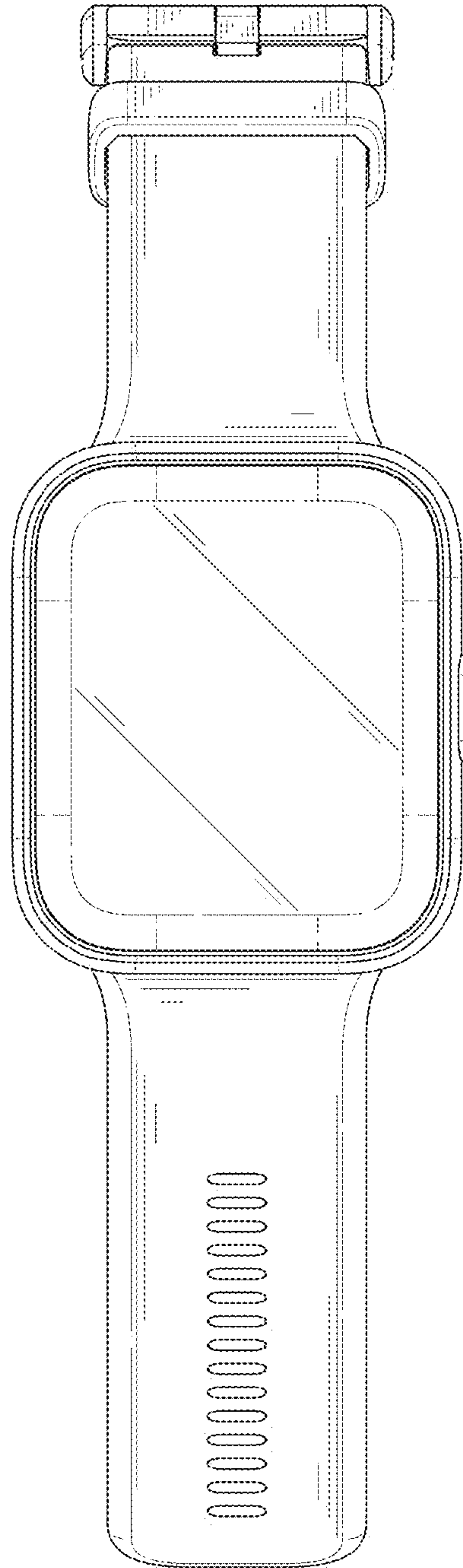


FIG. 3

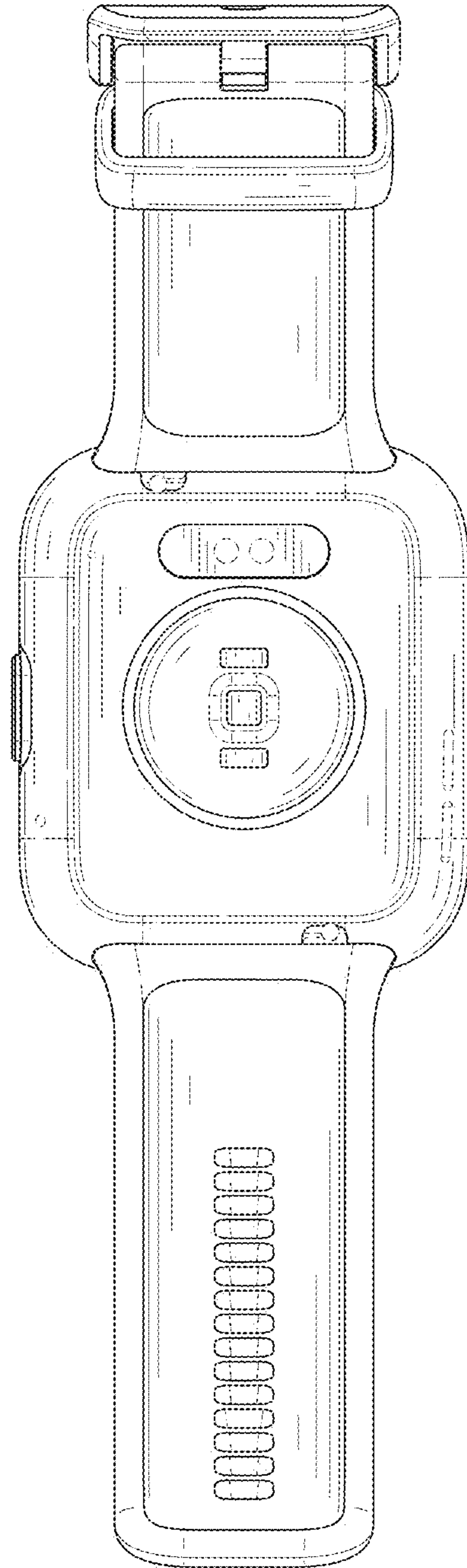


FIG. 4

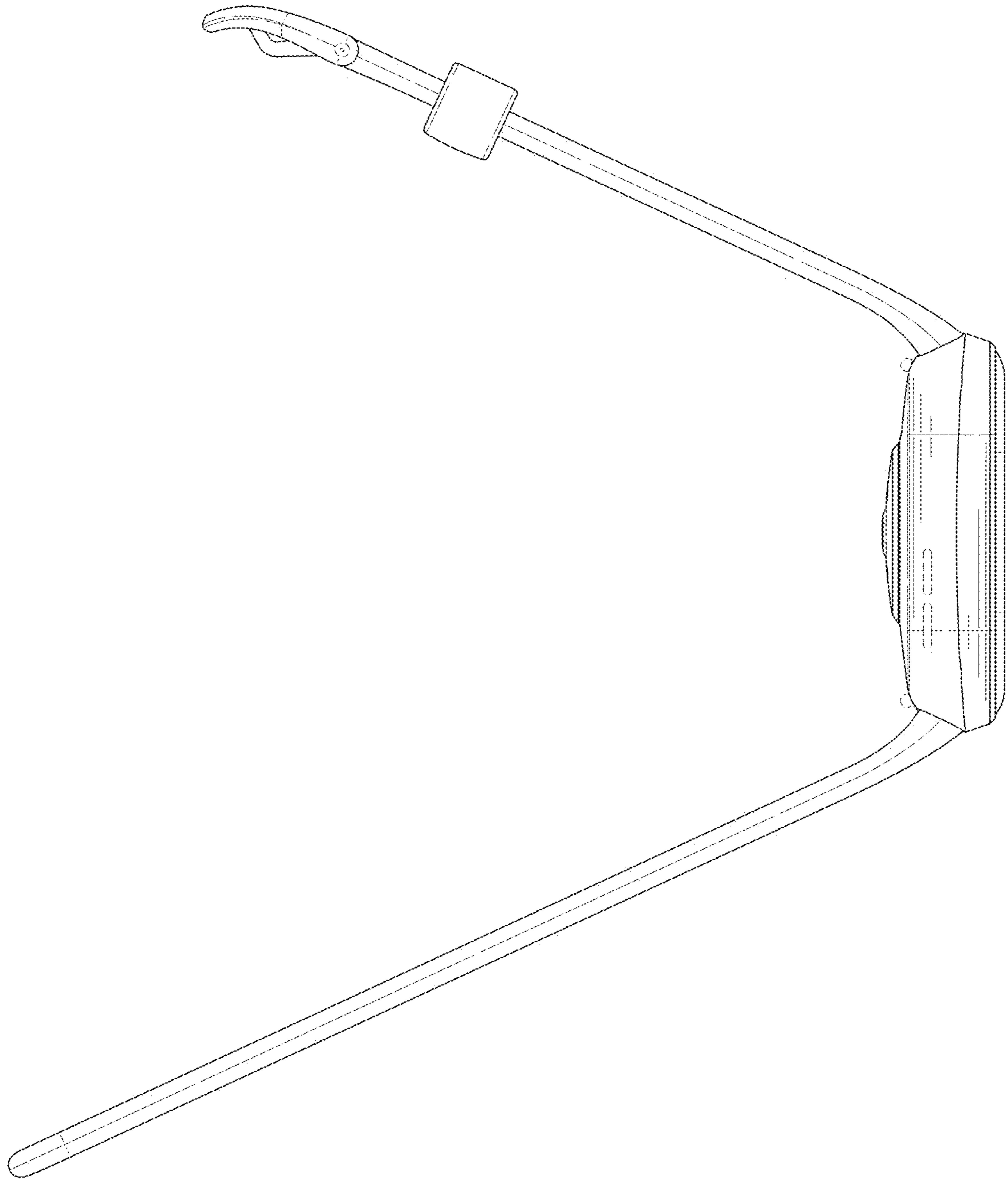


FIG. 5

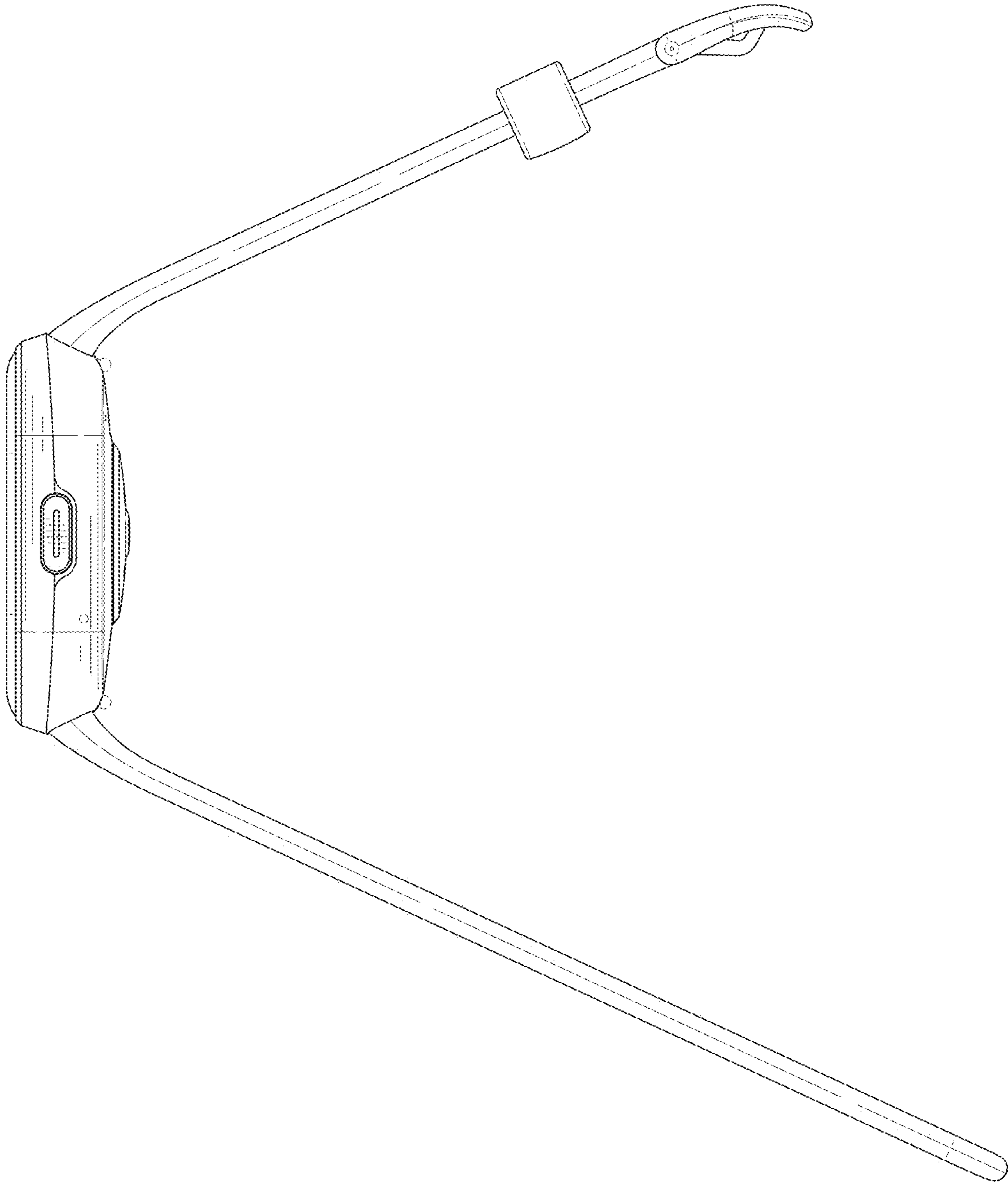


FIG. 6



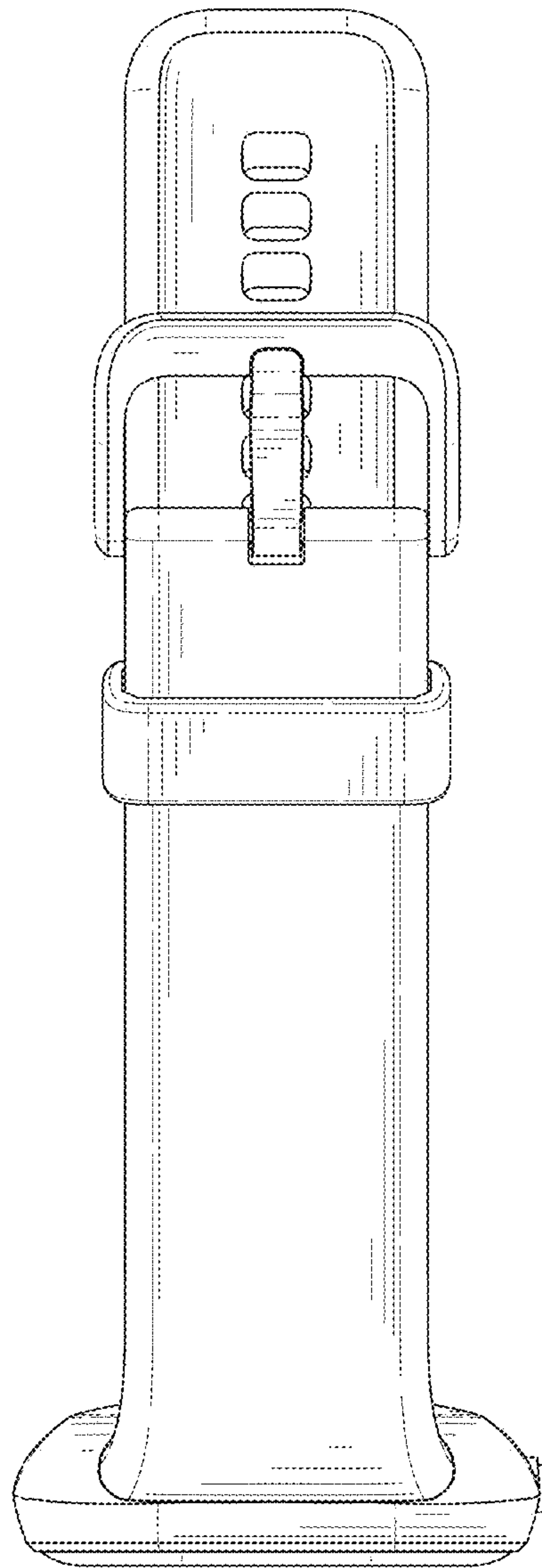


FIG. 7

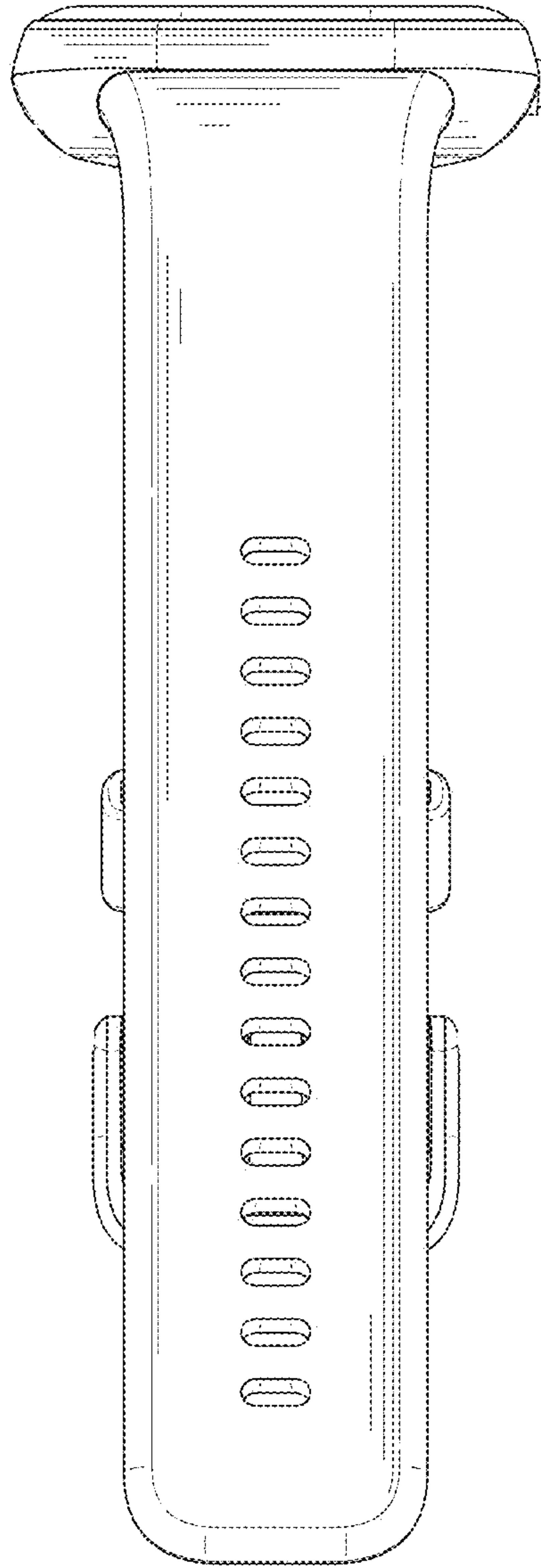


FIG. 8