



US00D984438S

(12) **United States Design Patent** (10) **Patent No.:** **US D984,438 S**  
**Cao** (45) **Date of Patent:** **\*\* Apr. 25, 2023**

(54) **PORTABLE DISPLAY**  
(71) Applicant: **SHENZHEN MIDE INNOVATION TECHNOLOGY CO., LTD.**, Shenzhen (CN)

D678,877 S \* 3/2013 Groene ..... D14/341  
D692,425 S \* 10/2013 Kubota ..... D14/374  
D696,254 S \* 12/2013 Groene ..... D14/341  
D705,778 S \* 5/2014 Groene ..... D14/341  
D712,401 S 9/2014 Lee et al.  
D721,364 S \* 1/2015 Huh ..... D14/374

(Continued)

(72) Inventor: **Junxuan Cao**, Xinyi (CN)  
(73) Assignee: **SHENZHEN MIDE INNOVATION TECHNOLOGY CO., LTD.**, Shenzhen (CN)

**FOREIGN PATENT DOCUMENTS**

CN 306512176 \* 5/2021  
CN 306603891 \* 6/2021  
CN 306637823 \* 6/2021

(\*\*) Term: **15 Years**

**OTHER PUBLICATIONS**

(21) Appl. No.: **29/800,392**  
(22) Filed: **Jul. 21, 2021**  
(51) **LOC (14) Cl.** ..... **14-02**  
(52) **U.S. Cl.**  
USPC ..... **D14/315**  
(58) **Field of Classification Search**  
USPC ... D14/125-126, 127-137, 138, 138 G, 168,  
D14/217-218, 248, 315-318, 322, 326,  
D14/334-336, 339, 340-347, 356,  
D14/387-389, 399-401, 405-410,  
D14/412-416, 421-430, 443, 449-450,  
D14/454, 474, 483, 496; D21/324-329,  
D21/330, 332, 333, 566; D6/300, 310,  
D6/314, 320, 332, 553, 657; D10/50, 65,  
D10/104.1; D18/6-7; D19/26, 59-60  
CPC .... A63F 9/00; A63F 9/24; A63F 11/00; A63F  
13/02; A63F 13/06; A63F 13/24; A63F  
13/98; H04M 1/0202; H04M 1/0266;  
H04M 1/725  
See application file for complete search history.

15.6" 4K OLED Monitor Coming Soon . . . , date not available,  
[retrieved May 17, 2022], Retrieved from Internet, URL: <https://  
www.intehill.com/pages/4k-oled-portable-monitor> (Year: 2022).\*

(Continued)

*Primary Examiner* — Messina L Smith  
*Assistant Examiner* — Aram Kwon  
(74) *Attorney, Agent, or Firm* — Nitin Kaushik

(57) **CLAIM**

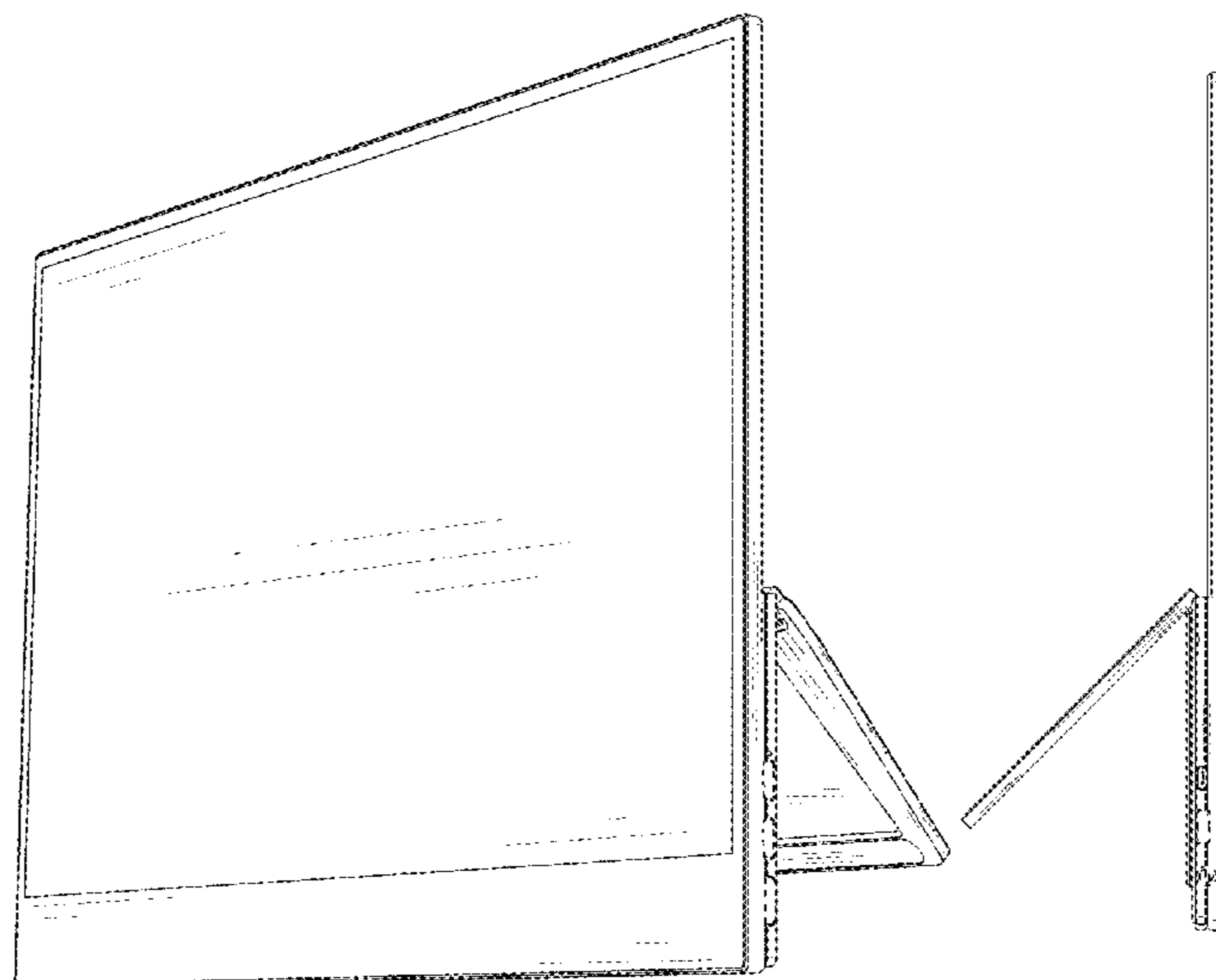
The ornamental design for a portable display, as shown and described.

**DESCRIPTION**

FIG. 1 is a perspective view of a portable display showing my new design;  
FIG. 2 is a front elevational view thereof;  
FIG. 3 is a rear elevational view thereof;  
FIG. 4 is a left side elevational view thereof;  
FIG. 5 is a right side elevational view thereof;  
FIG. 6 is a top plan view thereof; and,  
FIG. 7 is a bottom plan view thereof.  
The broken lines and areas within the broken lines depict portions of the portable display that form no part of the claimed design.

(56) **References Cited**  
U.S. PATENT DOCUMENTS  
D255,745 S \* 7/1980 Pedersen ..... 40/753  
D590,786 S \* 4/2009 Kim ..... D14/126  
D678,272 S \* 3/2013 Groene ..... D14/341

**1 Claim, 7 Drawing Sheets**



(56)

References Cited

U.S. PATENT DOCUMENTS

D726,136 S \* 4/2015 Cho ..... D14/126  
 D727,864 S \* 4/2015 Kim ..... D14/126  
 D727,897 S \* 4/2015 Stevenson ..... D14/374  
 D733,127 S \* 6/2015 Sung ..... D14/341  
 D740,804 S \* 10/2015 Hovdal ..... D14/341  
 D743,360 S \* 11/2015 Kim ..... D14/126  
 D749,070 S \* 2/2016 Oh ..... D14/341  
 D754,122 S \* 4/2016 Oakley ..... D14/374  
 D754,655 S \* 4/2016 Groene ..... D14/341  
 D760,718 S \* 7/2016 Wallace ..... D14/374  
 D769,240 S \* 10/2016 Yu ..... D14/371  
 D780,174 S \* 2/2017 Park ..... D14/341  
 D781,848 S \* 3/2017 Kim ..... D14/341  
 D782,469 S \* 3/2017 Raken ..... D14/341  
 D782,470 S \* 3/2017 Raken ..... D14/341  
 D783,625 S \* 4/2017 Okuley ..... D14/447  
 D789,356 S \* 6/2017 Cebe ..... D14/315  
 9,671,829 B2 \* 6/2017 Ho ..... G06F 1/1637  
 D798,292 S \* 9/2017 Groene ..... D14/341  
 D816,673 S \* 5/2018 Lim ..... D14/374  
 D817,329 S \* 5/2018 Chu ..... D14/374  
 D819,018 S \* 5/2018 Tsai ..... D14/341  
 D826,930 S \* 8/2018 Iida ..... D14/341  
 D837,205 S \* 1/2019 Hu ..... D14/341  
 D845,947 S \* 4/2019 Raken ..... D14/341  
 D855,056 S \* 7/2019 Raken ..... D14/315  
 D872,077 S \* 1/2020 Raken ..... D14/341  
 10,627,871 B2 \* 4/2020 Tzou ..... F16M 11/10  
 D898,737 S \* 10/2020 Chen ..... D14/341  
 D906,329 S \* 12/2020 Wu ..... D14/126  
 D908,694 S \* 1/2021 Cebe ..... D14/341  
 D917,465 S \* 4/2021 Zhang ..... D14/341  
 D922,996 S \* 6/2021 Chen ..... D14/315  
 D934,828 S \* 11/2021 Zhao ..... D14/129  
 D950,550 S \* 5/2022 Xu ..... D14/345

2005/0052831 A1 \* 3/2005 Chen ..... G06F 1/1683  
 361/679.11  
 2009/0321609 A1 \* 12/2009 Wang ..... H04M 1/0297  
 248/685  
 2011/0013351 A1 \* 1/2011 Simmons ..... G06F 1/162  
 361/679.27  
 2012/0133591 A1 \* 5/2012 Simmons ..... G06F 1/169  
 345/169  
 2017/0218674 A1 \* 8/2017 Shen ..... G06F 1/1681  
 2018/0052487 A1 \* 2/2018 Lin ..... G06F 1/1626  
 2020/0124229 A1 \* 4/2020 Han ..... F16M 11/10

OTHER PUBLICATIONS

Ananta 17.3-inch Touchscreen Portable Monitor Review, Jun. 19, 2020, [retrieved May 17, 2022], Retrieved from Internet, URL: <<https://www.notebookcheck.net/Ananta-17-3-inch-Touchscreen-Portable-Monitor-Review-Huge-Screen-Small-Size.476791.0.html>> (Year: 2020).\*

HT161CGB, date not available, [retrieved May 17, 2022], Retrieved from Internet, URL: <<https://www.hannspree.eu/product/ht161cgb/>> (Year: 2022).\*

MSI Optix MAG162V 15.6", review date: Mar. 8, 2022, [retrieved May 17, 2022], Retrieved from Internet, URL: <[https://www.bhphotovideo.com/c/product/1675610-REG/msi\\_optixmag162v\\_15\\_6\\_fhd\\_lcd\\_ips.html/reviews](https://www.bhphotovideo.com/c/product/1675610-REG/msi_optixmag162v_15_6_fhd_lcd_ips.html/reviews)> (Year: 2022).\*

Portable Monitor for Laptop, date first available: Oct. 22, 2021, [retrieved May 18, 2022], Retrieved from Internet, URL: <<https://www.amazon.com/dp/B09K3FWMP1/?tag=cult087-20>> (Year: 2021).\*

Portable Monitor, date first available: Oct. 25, 2021, [retrieved May 18, 2022], Retrieved from Internet, URL: <[https://www.amazon.com/dp/B09H2WF8TY/ref=sspa\\_dk\\_detail\\_3?pd\\_rd\\_i=B09H2WF8TY&pd\\_rd\\_w=xa0tw&pf\\_rd\\_p=57cbdc41-b731-4e3d-aca7-49%E2%80%A6&th=1](https://www.amazon.com/dp/B09H2WF8TY/ref=sspa_dk_detail_3?pd_rd_i=B09H2WF8TY&pd_rd_w=xa0tw&pf_rd_p=57cbdc41-b731-4e3d-aca7-49%E2%80%A6&th=1)> (Year: 2021).\*

\* cited by examiner

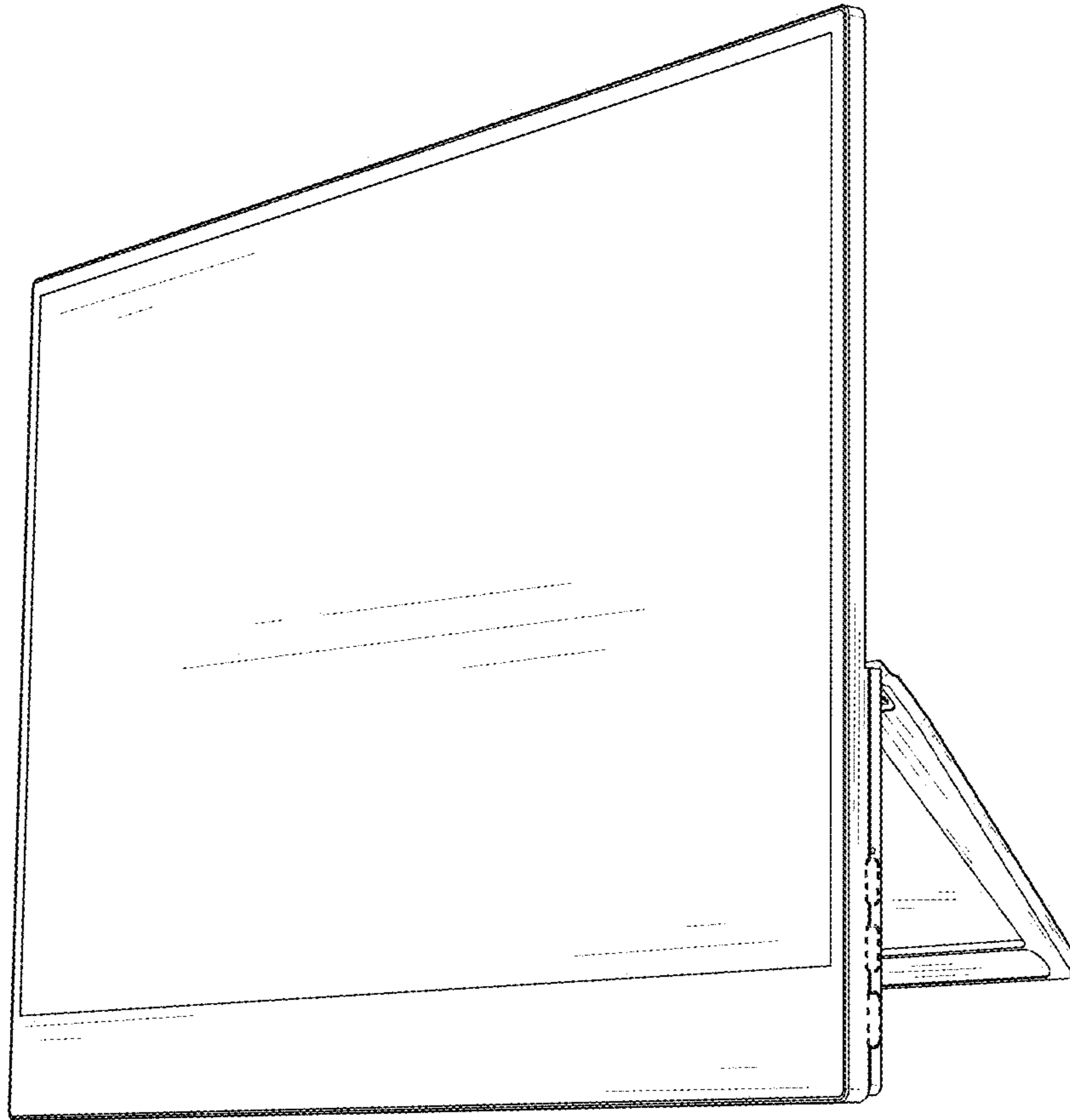


FIG. 1

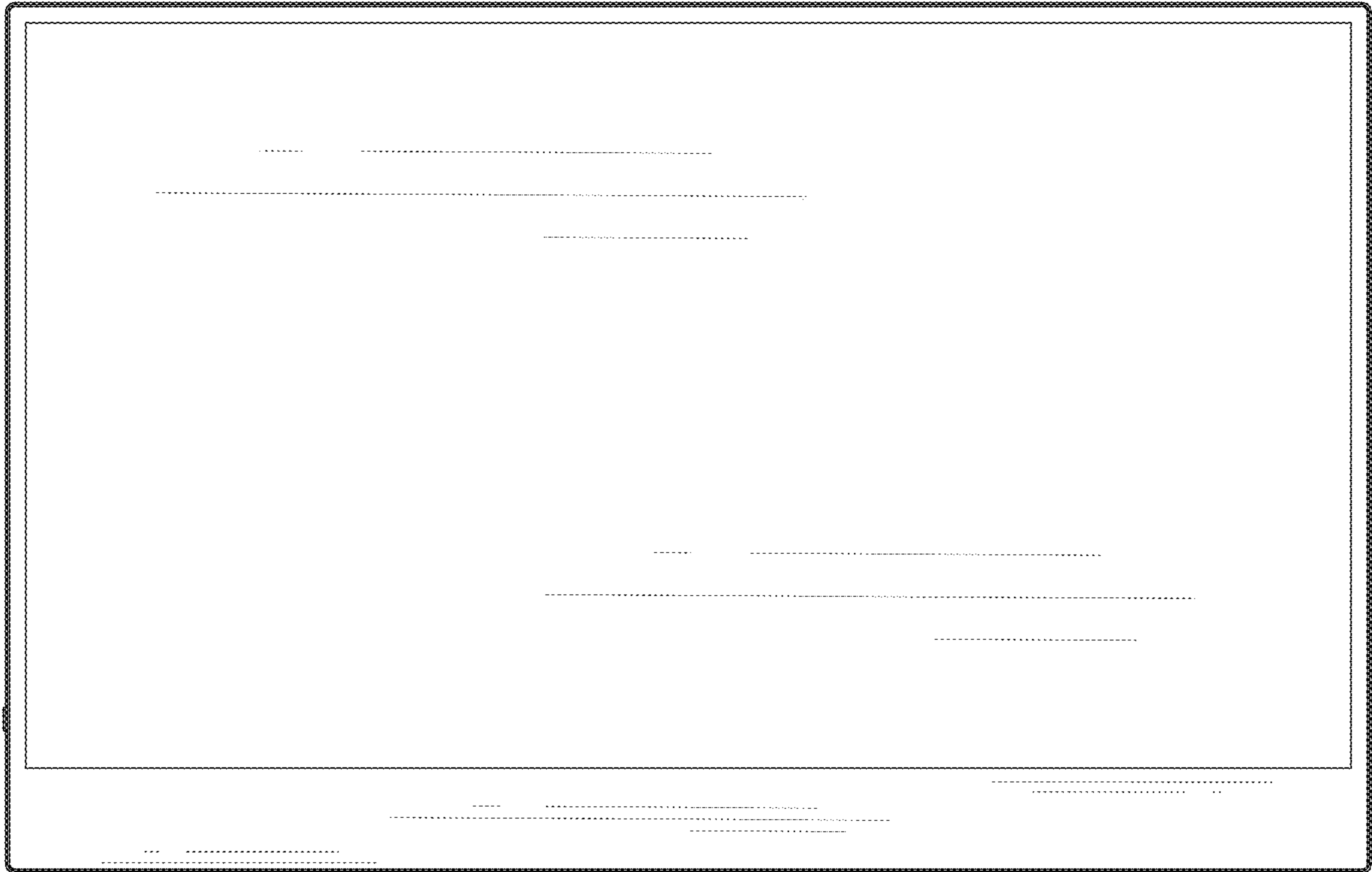


FIG. 2

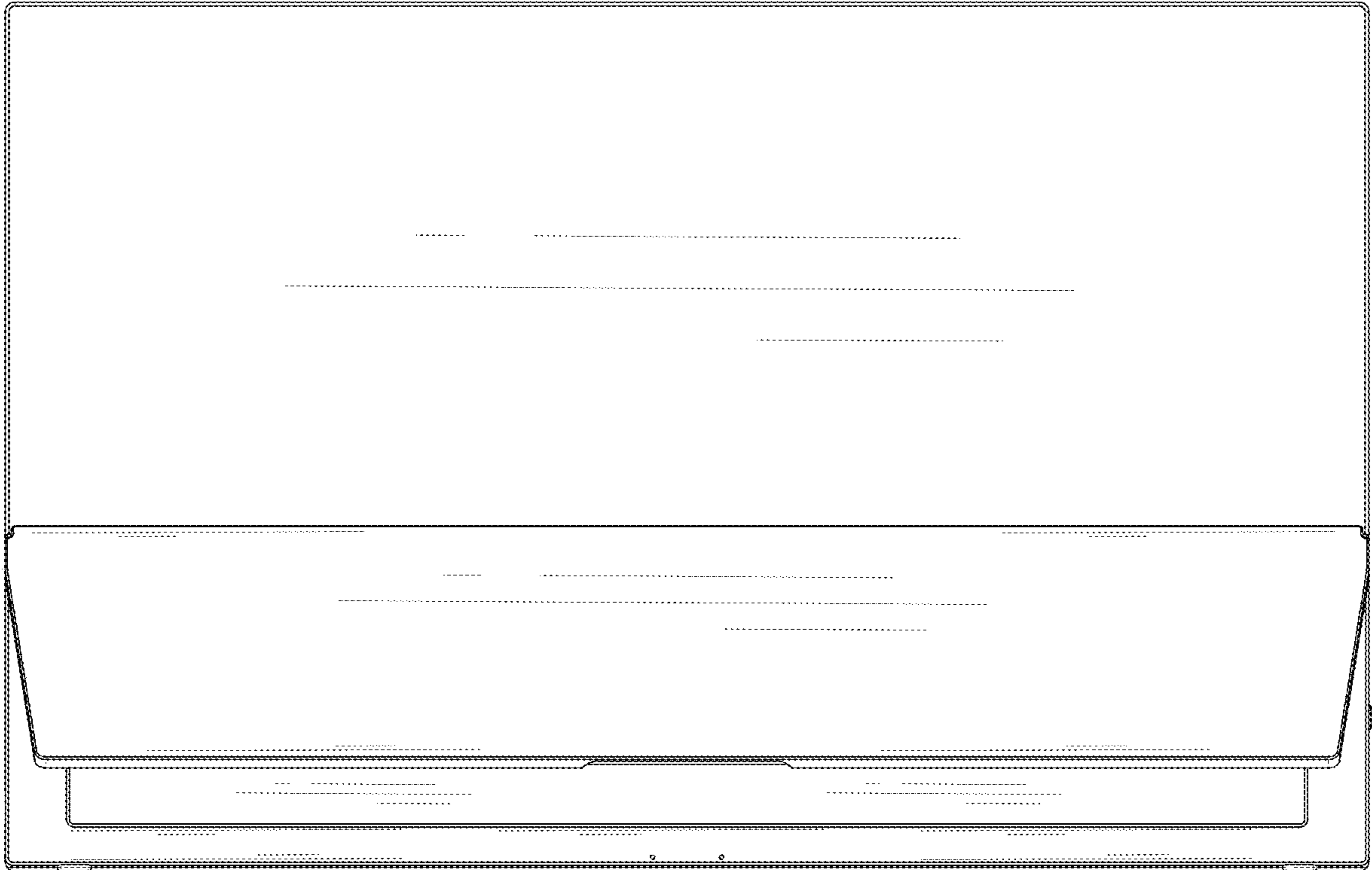


FIG. 3

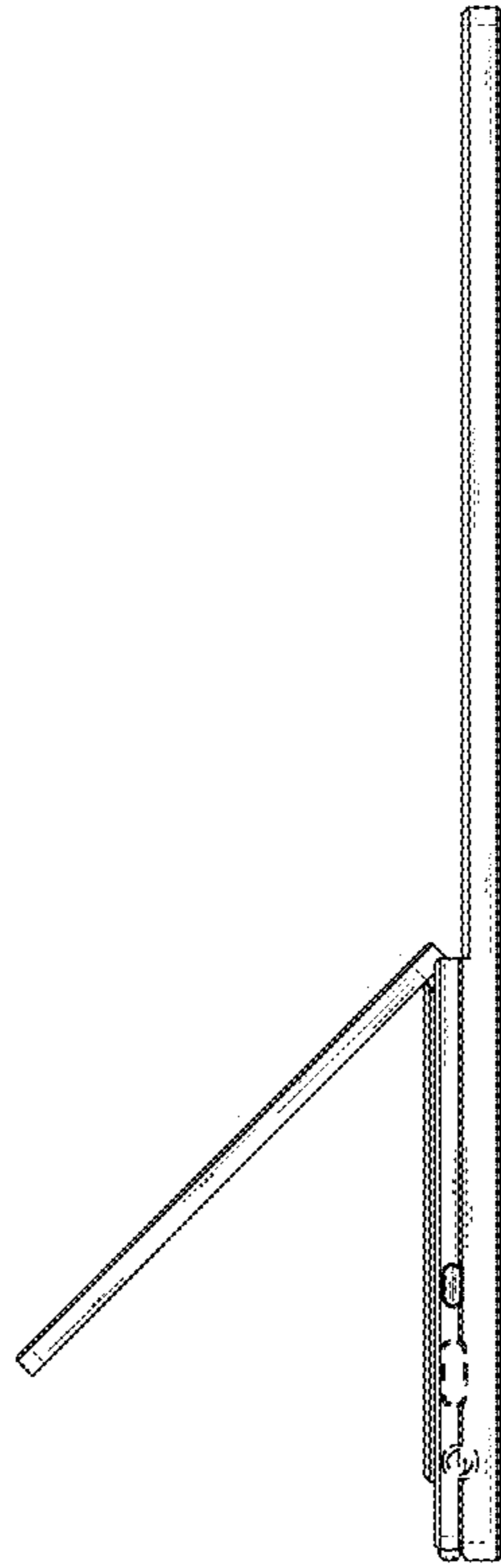


FIG. 4

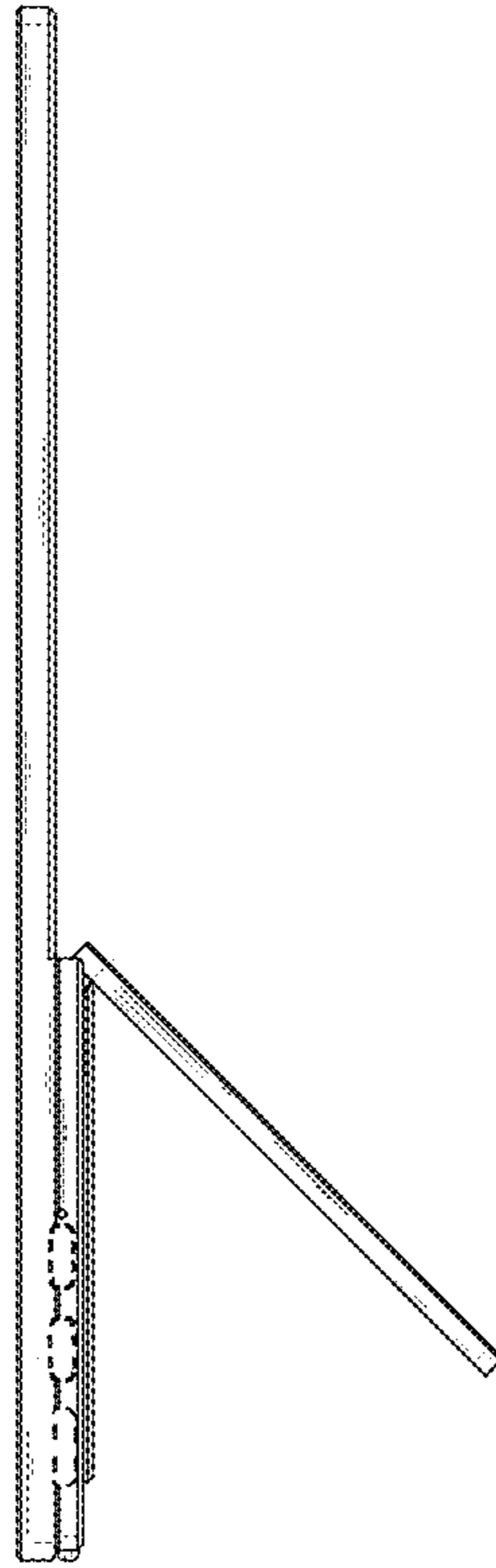


FIG. 5

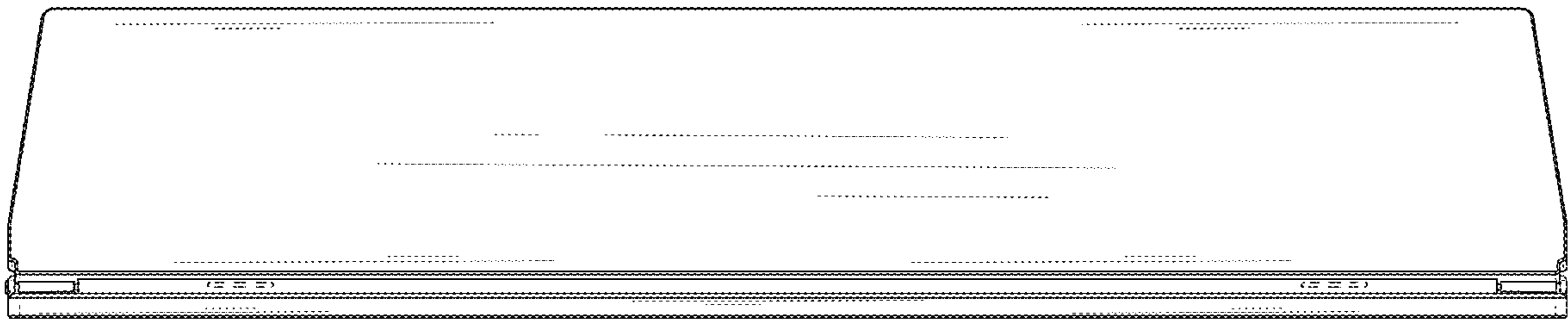


FIG. 6



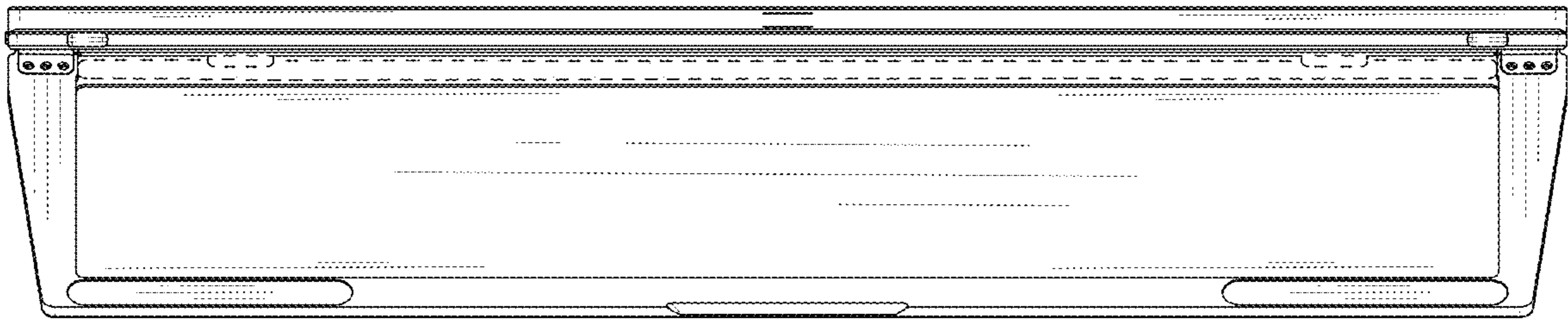


FIG. 7