



US00D984437S

(12) **United States Design Patent**
Cao

(10) **Patent No.:** **US D984,437 S**
(45) **Date of Patent:** **** Apr. 25, 2023**

(54) **PORTABLE DISPLAY**

(71) Applicant: **SHENZHEN MIDE INNOVATION TECHNOLOGY CO., LTD.**, Shenzhen (CN)

(72) Inventor: **Junxuan Cao**, Xinyi (CN)

(73) Assignee: **SHENZHEN MIDE INNOVATION TECHNOLOGY CO., LTD.**, Shenzhen (CN)

(**) Term: **15 Years**

(21) Appl. No.: **29/800,384**

(22) Filed: **Jul. 21, 2021**

(51) **LOC (14) Cl.** **14-02**

(52) **U.S. Cl.**
USPC **D14/315**

(58) **Field of Classification Search**
USPC ... D14/125-126, 127-137, 138, 138 G, 168, D14/217-218, 248, 315-318, 322, 326, D14/334-336, 339, 340-347, 356, D14/387-389, 399-401, 405-410, D14/412-416, 421-430, 443, 449-450, D14/454, 474, 483, 496; D21/324-329, D21/330, 332, 333, 566; D6/300, 310, D6/314, 320, 332, 553, 657; D10/50, 65, D10/104.1; D18/6-7; D19/26, 59-60
CPC A63F 9/00; A63F 9/24; A63F 11/00; A63F 13/02; A63F 13/06; A63F 13/24; A63F 13/98; H04M 1/0202; H04M 1/0266; H04M 1/725
See application file for complete search history.

(56) **References Cited**

U.S. PATENT DOCUMENTS

D255,745 S * 7/1980 Pedersen 40/753
D590,786 S * 4/2009 Kim D14/126
D678,272 S * 3/2013 Groene D14/341

D678,877 S * 3/2013 Groene D14/341
D692,425 S * 10/2013 Kubota D14/374
D696,254 S * 12/2013 Groene D14/341
D705,778 S * 5/2014 Groene D14/341
D712,401 S 9/2014 Lee et al.
D721,364 S * 1/2015 Huh D14/374
D726,136 S * 4/2015 Cho D14/126

(Continued)

FOREIGN PATENT DOCUMENTS

CN 306512176 * 5/2021
CN 306637823 * 6/2021

OTHER PUBLICATIONS

15.6" 4K OLED Monitor Coming Soon . . . , date not available, [retrieved May 17, 2022], Retrieved from Internet, URL: <https://www.intehill.com/pages/4k-oled-portable-monitor> (Year: 2022).*

(Continued)

Primary Examiner — Messina L Smith
Assistant Examiner — Aram Kwon
(74) *Attorney, Agent, or Firm* — Nitin Kaushik

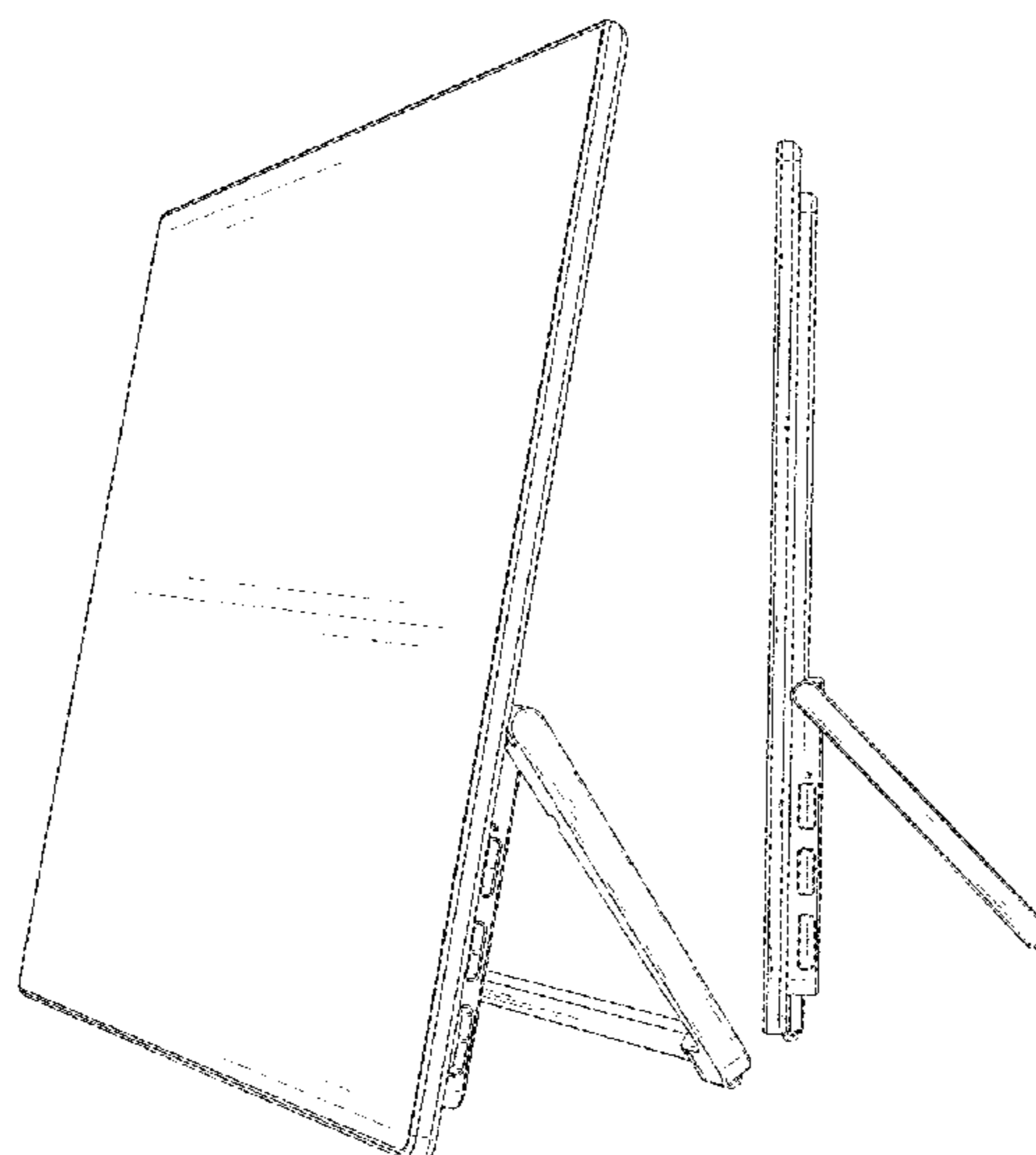
(57) **CLAIM**

The ornamental design for a portable display, as shown and described.

DESCRIPTION

FIG. 1 is a perspective view of a portable display showing my new design;
FIG. 2 is a front elevational view thereof;
FIG. 3 is a rear elevational view thereof;
FIG. 4 is a left side elevational view thereof;
FIG. 5 is a right side elevational view thereof;
FIG. 6 is a top plan view thereof; and,
FIG. 7 is a bottom plan view thereof.
The broken lines and areas within the broken lines depict portions of the portable display that form no part of the claimed design.

1 Claim, 7 Drawing Sheets



(56)

References Cited

U.S. PATENT DOCUMENTS

D727,864 S * 4/2015 Kim D14/126
 D727,897 S * 4/2015 Stevenson D14/374
 D733,127 S * 6/2015 Sung D14/341
 D740,804 S * 10/2015 Hovdal D14/341
 D743,360 S * 11/2015 Kim D14/126
 D749,070 S * 2/2016 Oh D14/341
 D754,122 S * 4/2016 Oakley D14/374
 D754,655 S * 4/2016 Groene D14/341
 D760,718 S * 7/2016 Wallace D14/374
 D769,240 S * 10/2016 Yu D14/371
 D780,174 S * 2/2017 Park D14/341
 D781,848 S * 3/2017 Kim D14/341
 D782,469 S * 3/2017 Raken D14/341
 D782,470 S * 3/2017 Raken D14/341
 D783,625 S * 4/2017 Okuley D14/447
 D789,356 S * 6/2017 Cebe D14/315
 9,671,829 B2 * 6/2017 Ho G06F 1/1637
 D798,292 S * 9/2017 Groene D14/341
 D816,673 S * 5/2018 Lim D14/374
 D817,329 S * 5/2018 Chu D14/374
 D819,018 S * 5/2018 Tsai D14/341
 D826,930 S * 8/2018 Iida D14/341
 D837,205 S * 1/2019 Hu D14/341
 D845,947 S * 4/2019 Raken D14/341
 D855,056 S * 7/2019 Raken D14/315
 D872,077 S * 1/2020 Raken D14/341
 10,627,871 B2 * 4/2020 Tzou F16M 11/10
 D898,737 S * 10/2020 Chen D14/341
 D906,329 S * 12/2020 Wu D14/126
 D908,694 S * 1/2021 Cebe D14/341
 D917,465 S * 4/2021 Zhang D14/341
 D922,996 S * 6/2021 Chen D14/315
 D934,828 S * 11/2021 Zhao D14/129
 D950,550 S * 5/2022 Xu D14/345

2005/0052831 A1 * 3/2005 Chen G06F 1/1683
 361/679.11
 2009/0321609 A1 * 12/2009 Wang H04M 1/0297
 248/685
 2011/0013351 A1 * 1/2011 Simmons G06F 1/162
 361/679.27
 2012/0133591 A1 * 5/2012 Simmons G06F 1/169
 345/169
 2017/0218674 A1 * 8/2017 Shen G06F 1/1681
 2018/0052487 A1 * 2/2018 Lin G06F 1/1626
 2020/0124229 A1 * 4/2020 Han F16M 11/10

OTHER PUBLICATIONS

Ananta 17.3-inch Touchscreen Portable Monitor Review, Jun. 19, 2020, [retrieved May 17, 2022], Retrieved from Internet, URL: <<https://www.notebookcheck.net/Ananta-17-3-inch-Touchscreen-Portable-Monitor-Review-Huge-Screen-Small-Size.476791.0.html>> (Year: 2020).*

HT161CGB, date not available, [retrieved May 17, 2022], Retrieved from Internet, URL: <<https://www.hannspree.eu/product/ht161cgb/>> (Year: 2022).*

MSI Optix MAG162V 15.6", review date: Mar. 8, 2022, [retrieved May 17, 2022], Retrieved from Internet, URL: <https://www.bhphotovideo.com/c/product/1675610-REG/msi_optixmag162v_15_6_fhd_lcd_ips.html/reviews> (Year: 2022).*

Portable Monitor for Laptop, date first available: Oct. 22, 2021, [retrieved May 18, 2022], Retrieved from Internet, URL: <<https://www.amazon.com/dp/B09K3FWMPL/?tag=cult087-20>> (Year: 2021).*

Portable Monitor, date first available: Oct. 25, 2021, [retrieved May 18, 2022], Retrieved from Internet, URL: <https://www.amazon.com/dp/B09H2WF8TY/ref=sspa_dk_detail_3?pd_rd_i=B09H2WF8TY&pd_rd_w=xa0tw&pf_rd_p=57cbdc41-b731-4e3d-aca7-49%E2%80%A6&th=1> (Year: 2021).*

* cited by examiner

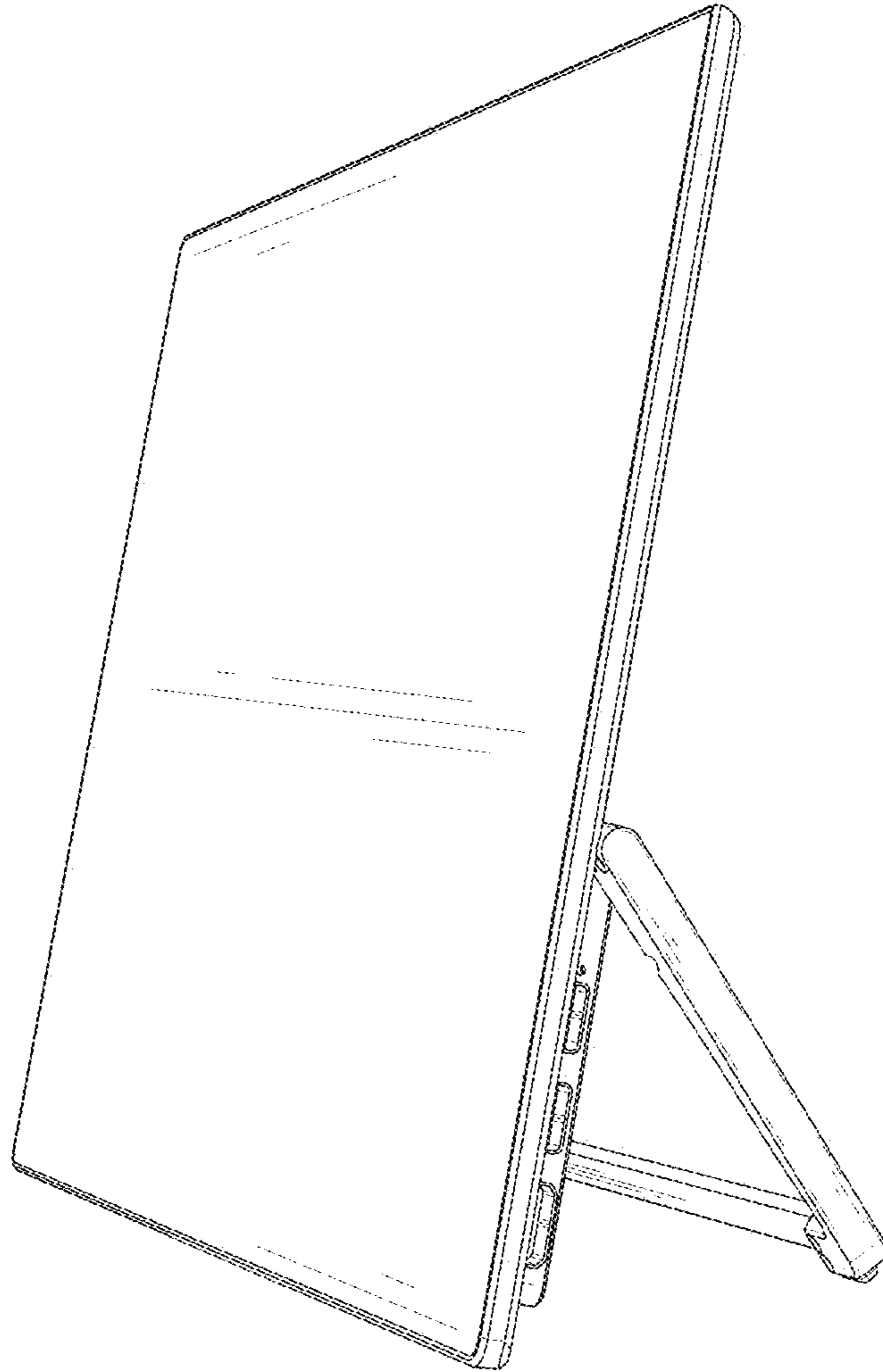


FIG. 1

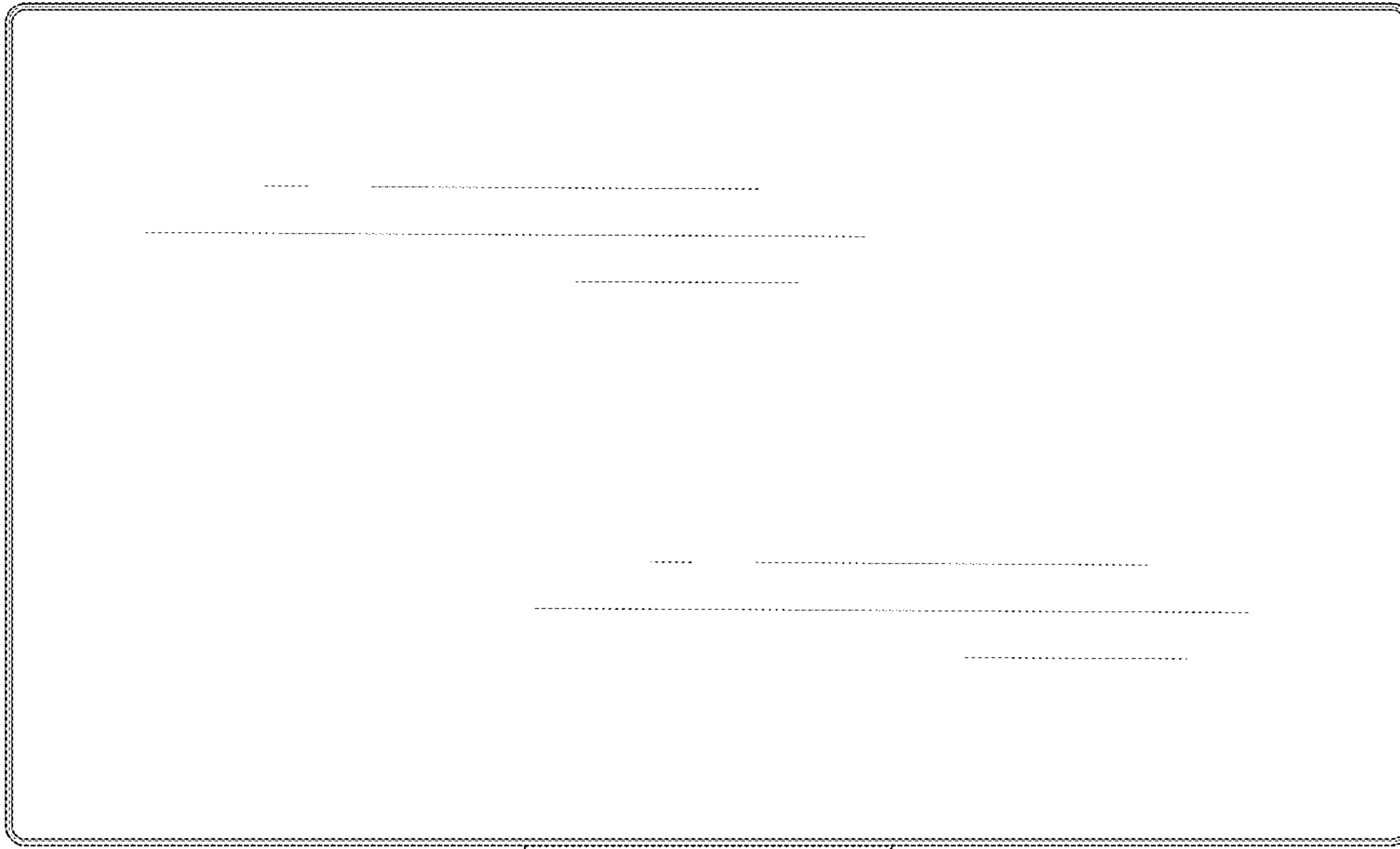


FIG. 2

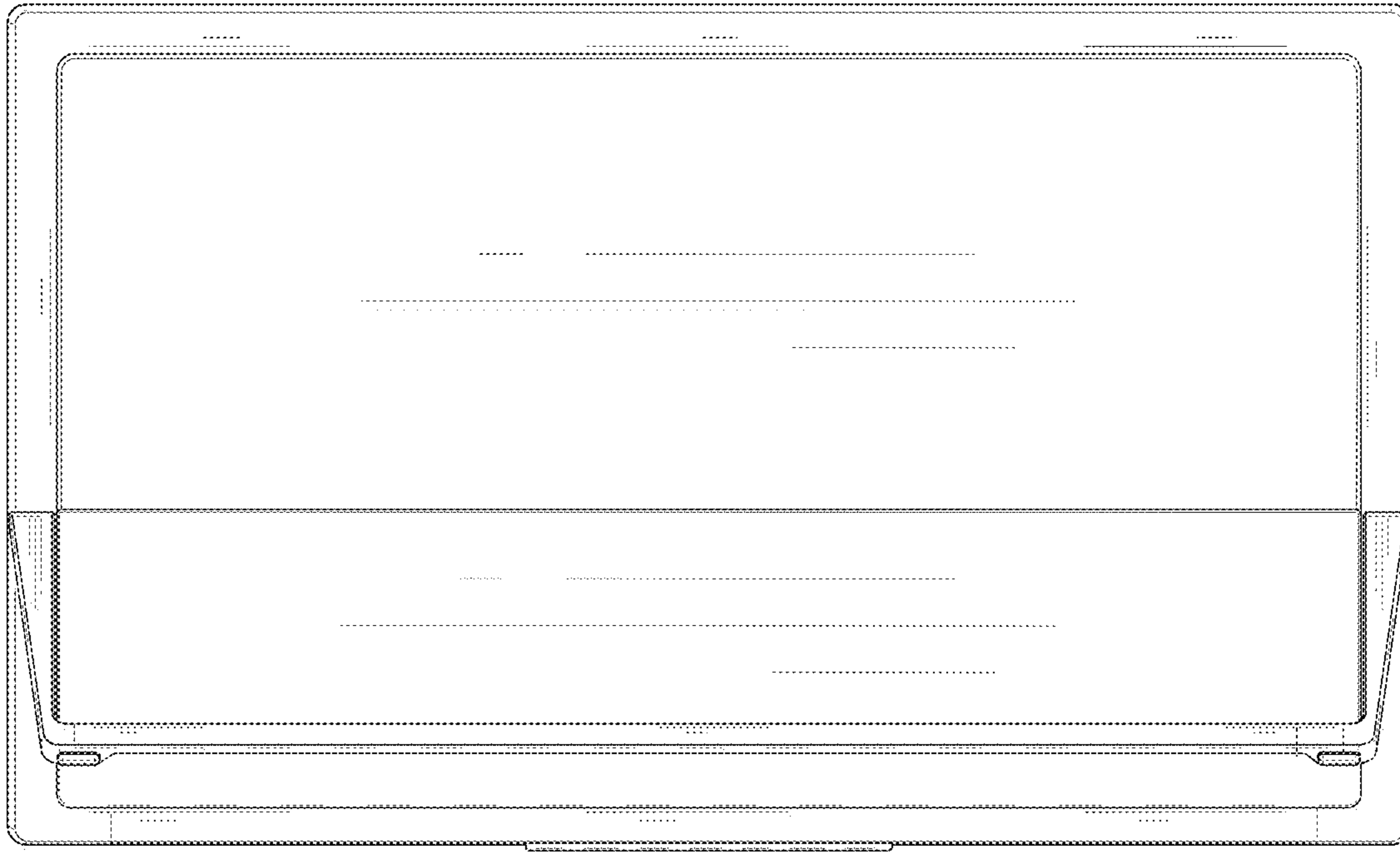


FIG. 3

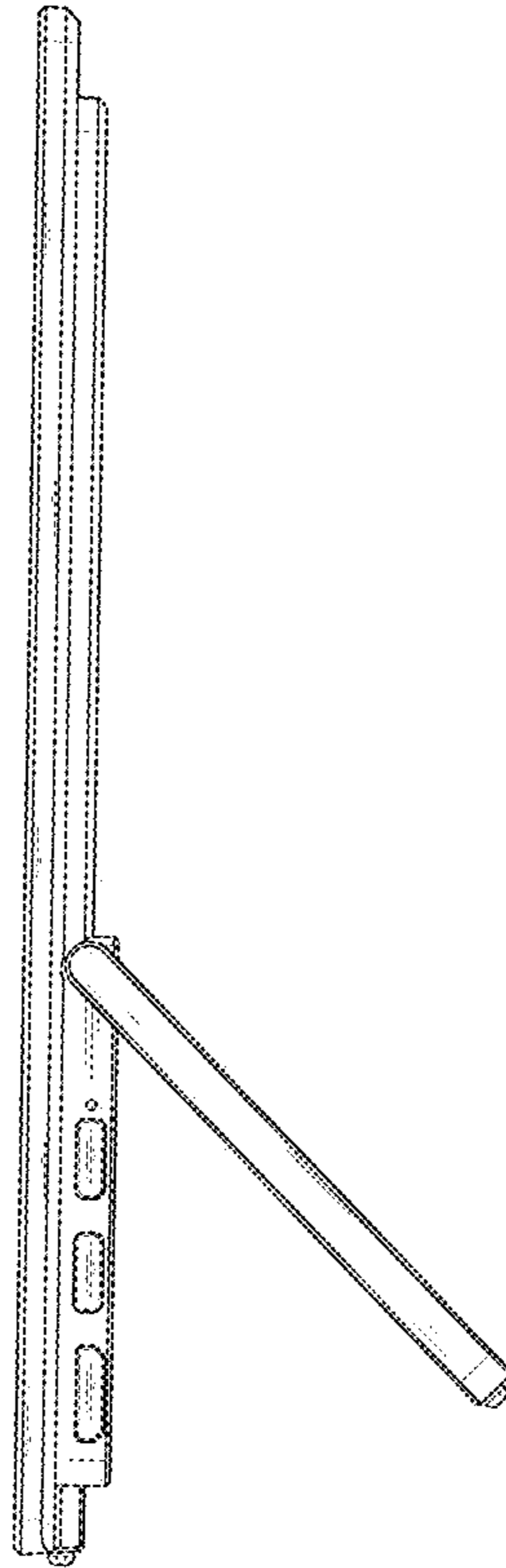


FIG. 4

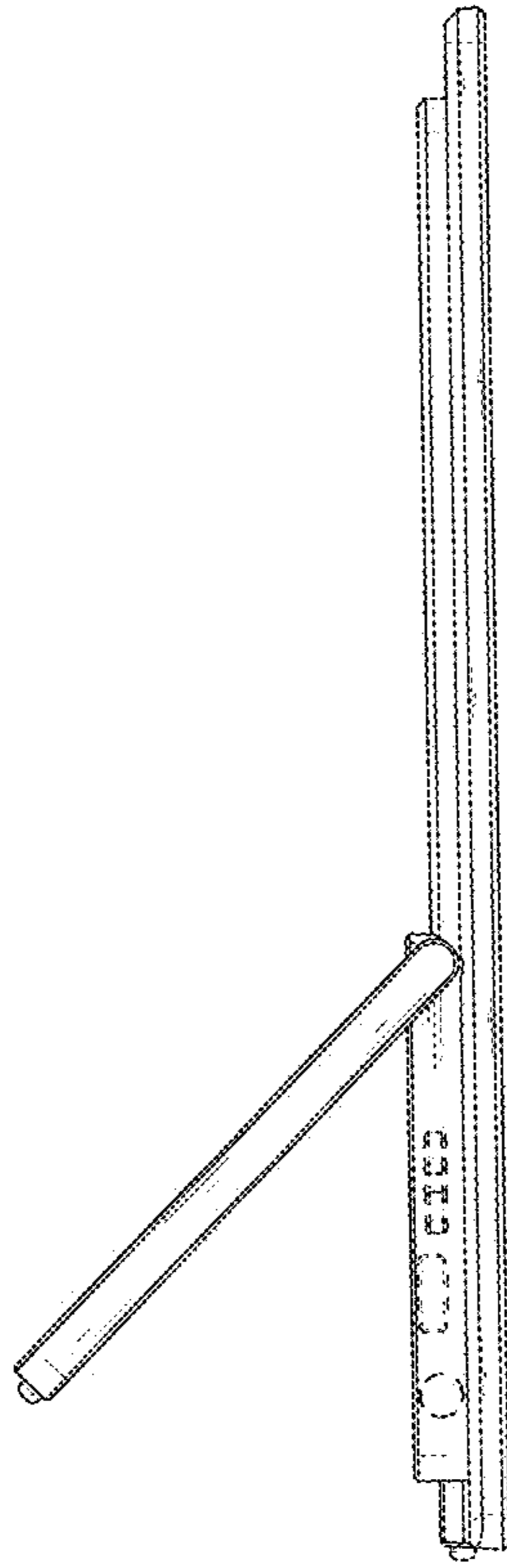


FIG. 5



FIG. 6

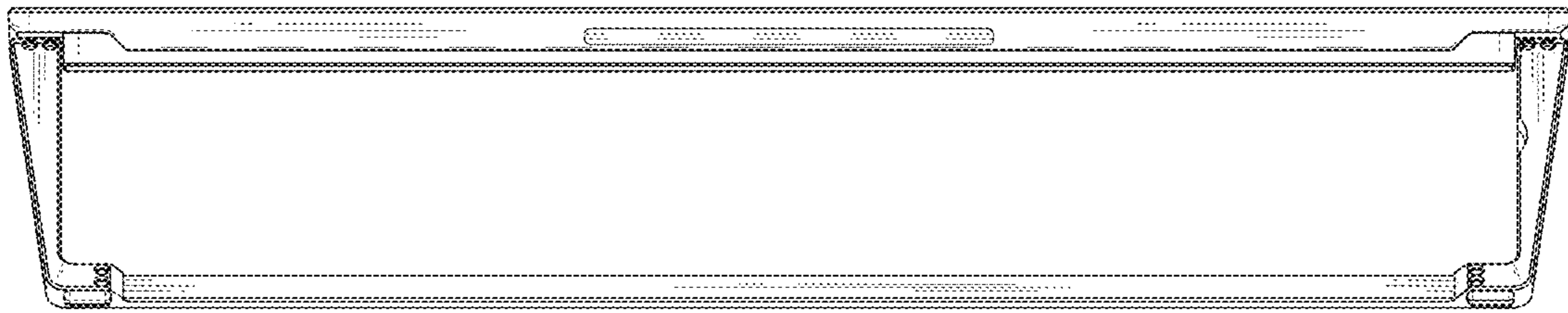


FIG. 7