



US00D984436S

(12) **United States Design Patent**
Wang

(10) **Patent No.:** **US D984,436 S**
(45) **Date of Patent:** **** Apr. 25, 2023**

(54) **SMARTPHONE HOLDER**
(71) Applicant: **Hynx Technology (Shenzhen) Co., Ltd., Guangdong (CN)**
(72) Inventor: **Yubao Wang, Guangdong (CN)**

D959,442 S * 8/2022 Liao D14/451
D960,094 S * 8/2022 Jiang D13/108
D962,860 S * 9/2022 Wang D13/108
D964,274 S * 9/2022 Liao D13/108
D967,018 S * 10/2022 Turksu D13/108
D967,766 S * 10/2022 Wang D13/108

(Continued)

(**) Term: **15 Years**

(21) Appl. No.: **29/841,193**

(22) Filed: **Jun. 3, 2022**

(30) **Foreign Application Priority Data**

Apr. 22, 2022 (EM) 008956924-0001

(51) **LOC (14) Cl.** **14-03**

(52) **U.S. Cl.**
USPC **D14/253; D13/108**

(58) **Field of Classification Search**
USPC D14/217, 250, 251, 252, 253, 434, 440,
D14/447; D6/700, 701; D19/91, 113;
D13/108

CPC A47B 23/04; A47B 23/042; F16M 11/041;
F16M 11/10; F16M 13/00; H04M 1/04
See application file for complete search history.

(56) **References Cited**

U.S. PATENT DOCUMENTS

D733,156 S * 6/2015 Choi D14/447
D791,861 S * 7/2017 Battle D18/4.5
D816,656 S * 5/2018 Kim D14/251
D838,712 S * 1/2019 Wang
D851,587 S * 6/2019 Schmidt D13/108
D908,688 S * 1/2021 Zhang D14/253
D920,981 S * 6/2021 Zhang D14/434
D928,701 S * 8/2021 Liao D13/108
D928,702 S * 8/2021 Liao D13/108
D928,703 S * 8/2021 Liao D13/108
D942,389 S * 2/2022 Sun D14/447
D944,788 S * 3/2022 Huang D14/253
D957,329 S * 7/2022 Turksu D13/108

OTHER PUBLICATIONS

Amazon.com_ Maxonar Mag Safe Charger Stand, first available May 7, 2021 [online], retrieved Nov. 22, 2022, available at URL: <https://a.co/d/2MEpjm> (Year: 2021).*

(Continued)

Primary Examiner — Wendy L Arminio

Assistant Examiner — Carrie S Gelula

(74) *Attorney, Agent, or Firm* — Che-Yang Chen; Law Offices of Michael Chen

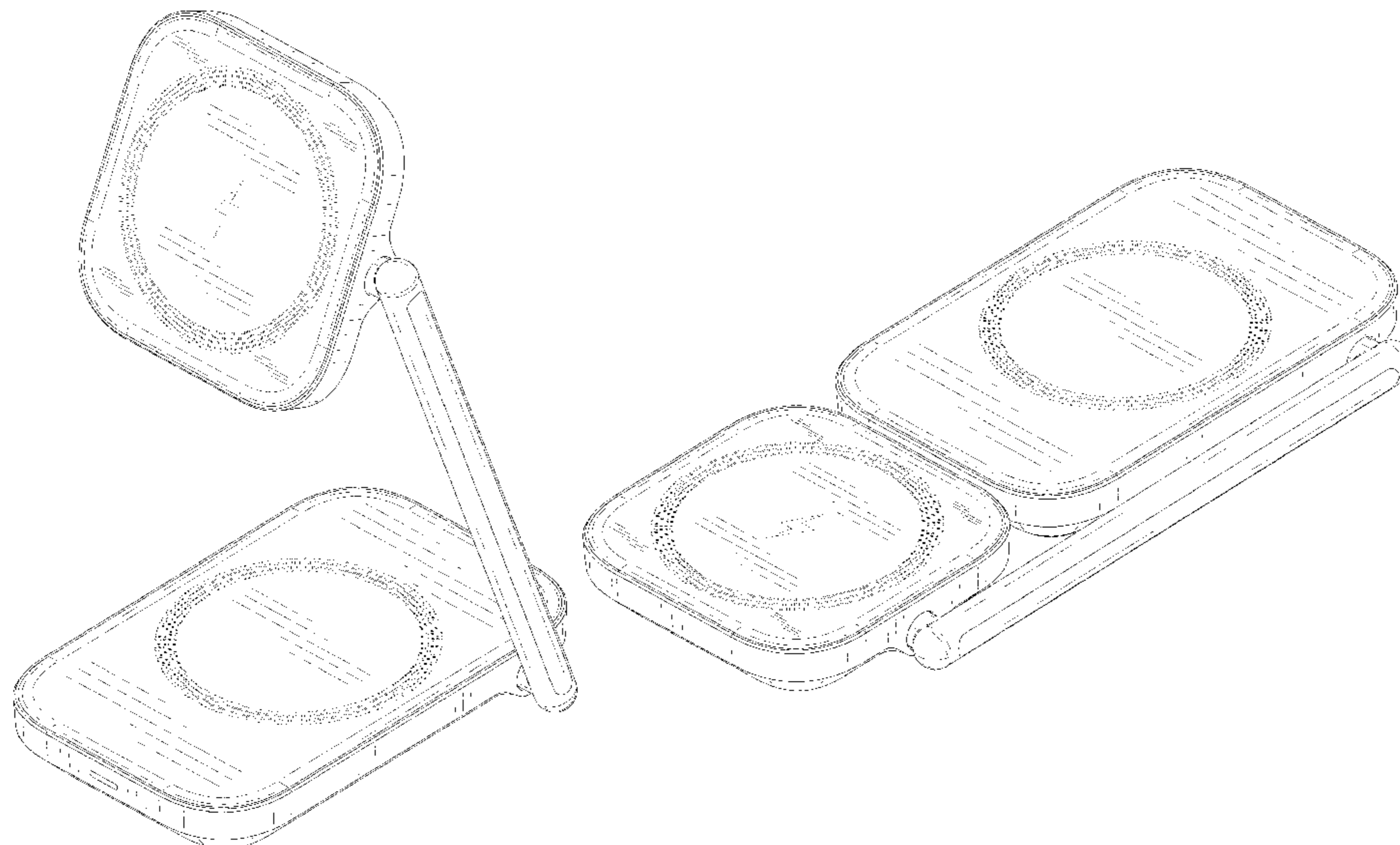
(57) **CLAIM**

The ornamental design for a smartphone holder, as shown and described.

DESCRIPTION

FIG. 1 is a perspective view of the smartphone holder showing my new design;
FIG. 2 is a perspective view thereof from another angle;
FIG. 3 is a front elevational view thereof;
FIG. 4 is a rear elevational view thereof;
FIG. 5 is a left side elevational view thereof;
FIG. 6 is a right side elevational view thereof;
FIG. 7 is a top plan view thereof;
FIG. 8 is a bottom plan view thereof; and,
FIG. 9 is a perspective view of the smartphone holder of FIG. 1 shown in an alternative configuration.
The broken lines shown in the drawings represent portions of the Smartphone Holder that form no part of the claimed design.

1 Claim, 9 Drawing Sheets



(56)

References Cited

U.S. PATENT DOCUMENTS

D968,321 S * 11/2022 Turksu D13/108

OTHER PUBLICATIONS

Amazon.com_ BOCLOUD Aluminum Alloy Mag-Safe Wireless Charger, first available Jun. 23, 2022 [online], retrieved Nov. 22, 2022, available at URL: <https://a.co/d/9bXYqo1> (Year: 2022).*

Amazon.com_ fodaguri 2 in 1 Magnetic Wireless Charger, first available Nov. 11, 2022 [online], retrieved Nov. 22, 2022, available at URL: <https://a.co/d/e2nQmjB> (Year: 2022).*

* cited by examiner

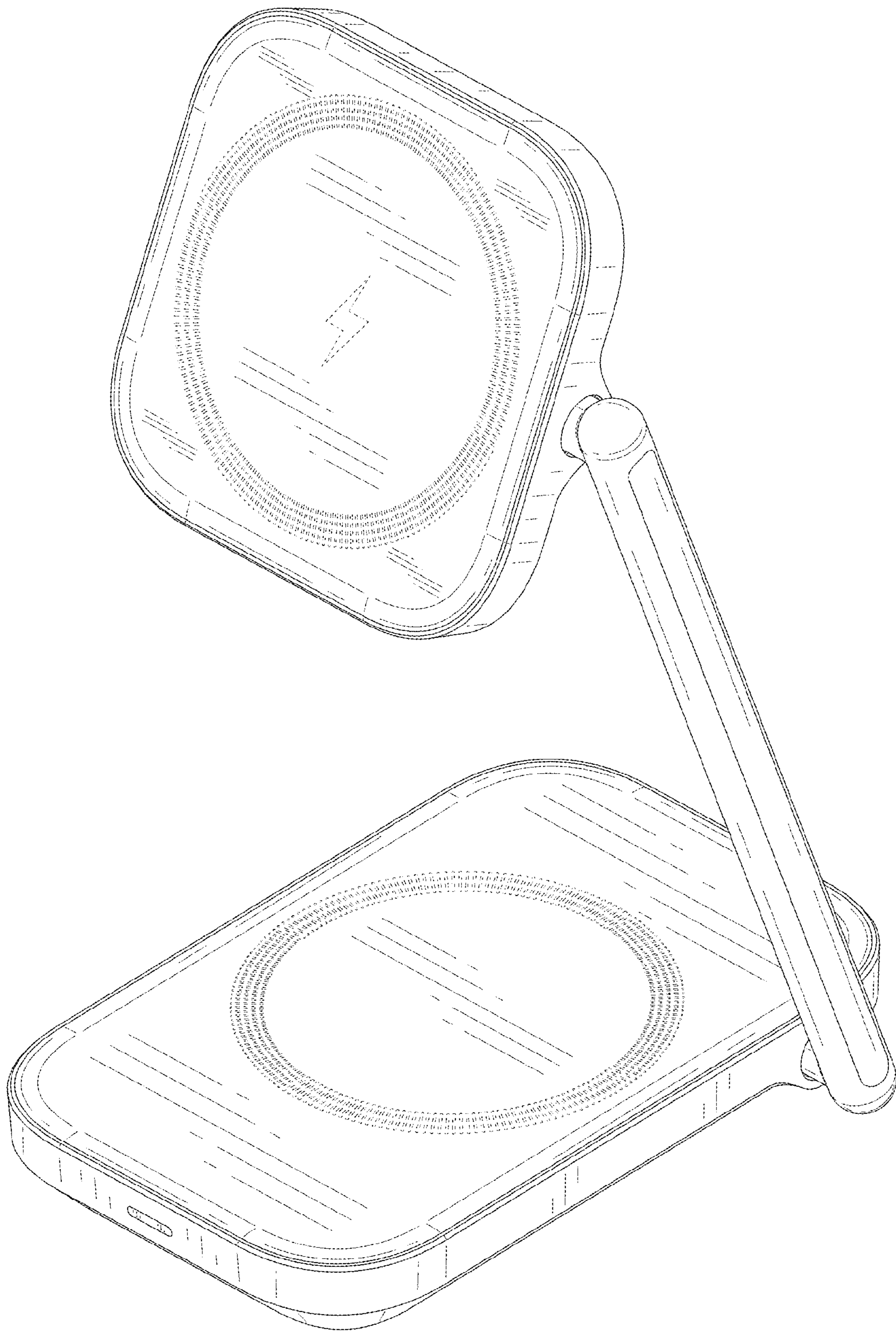


FIG. 1

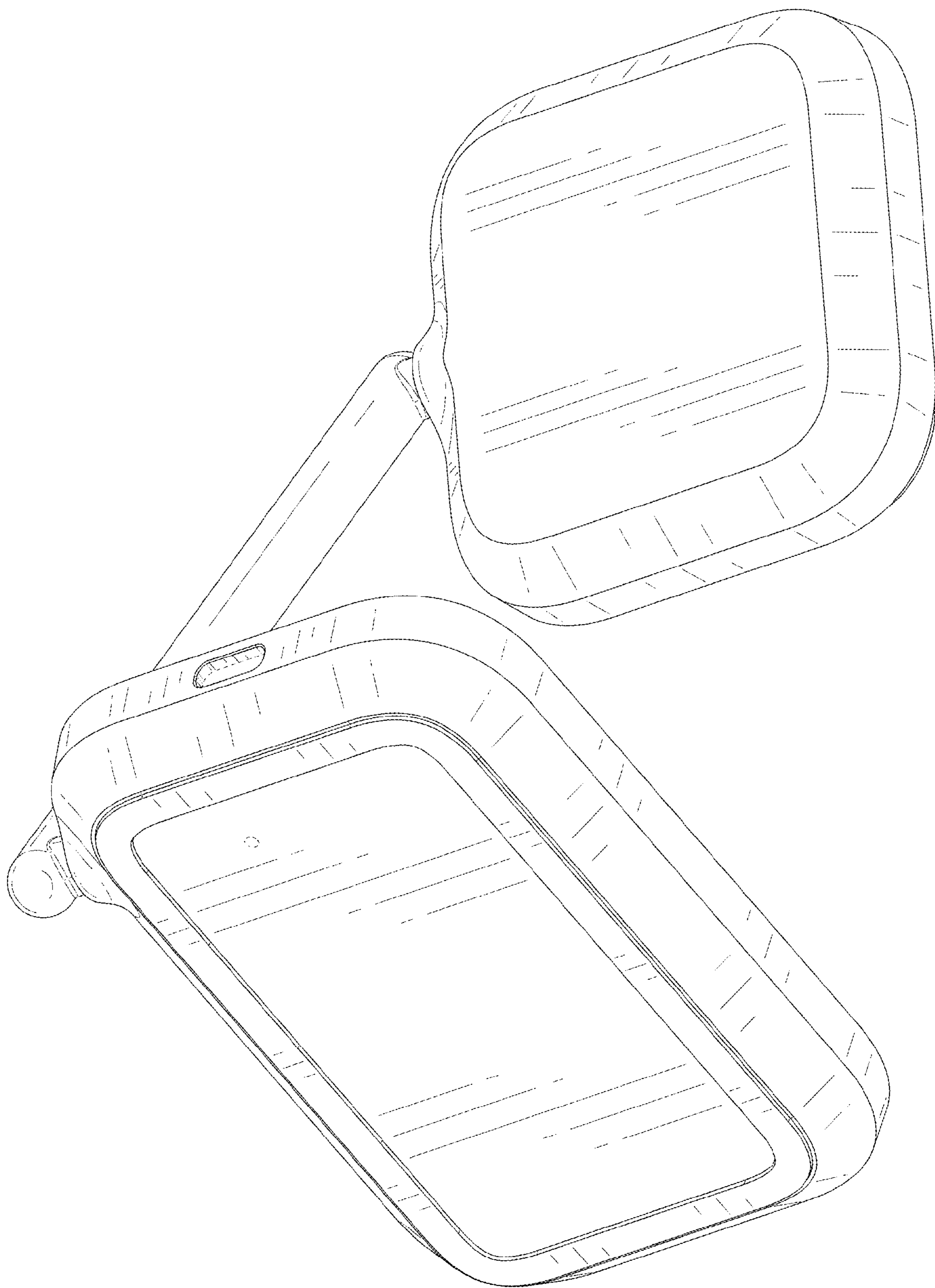


FIG. 2

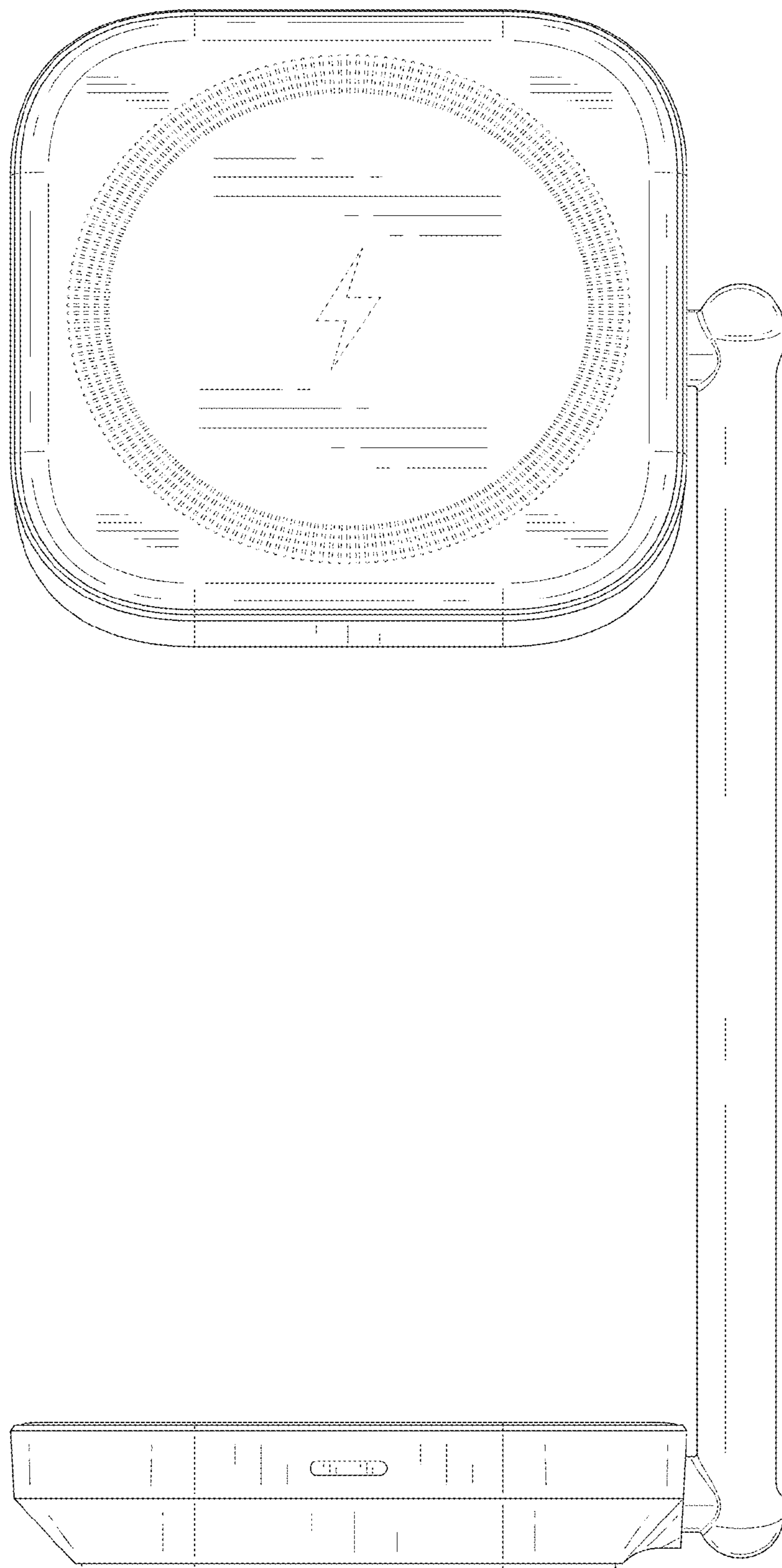


FIG. 3

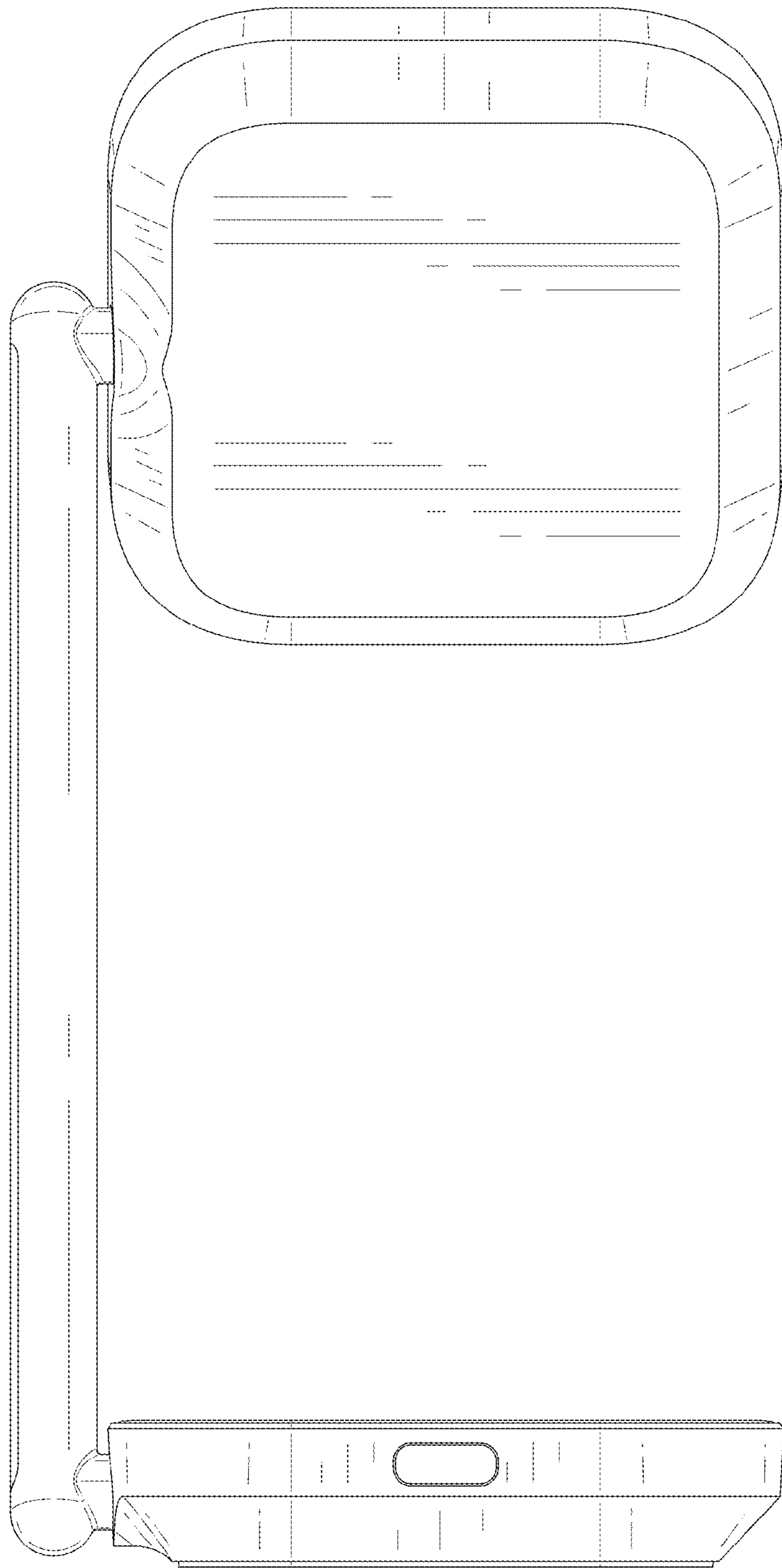


FIG. 4

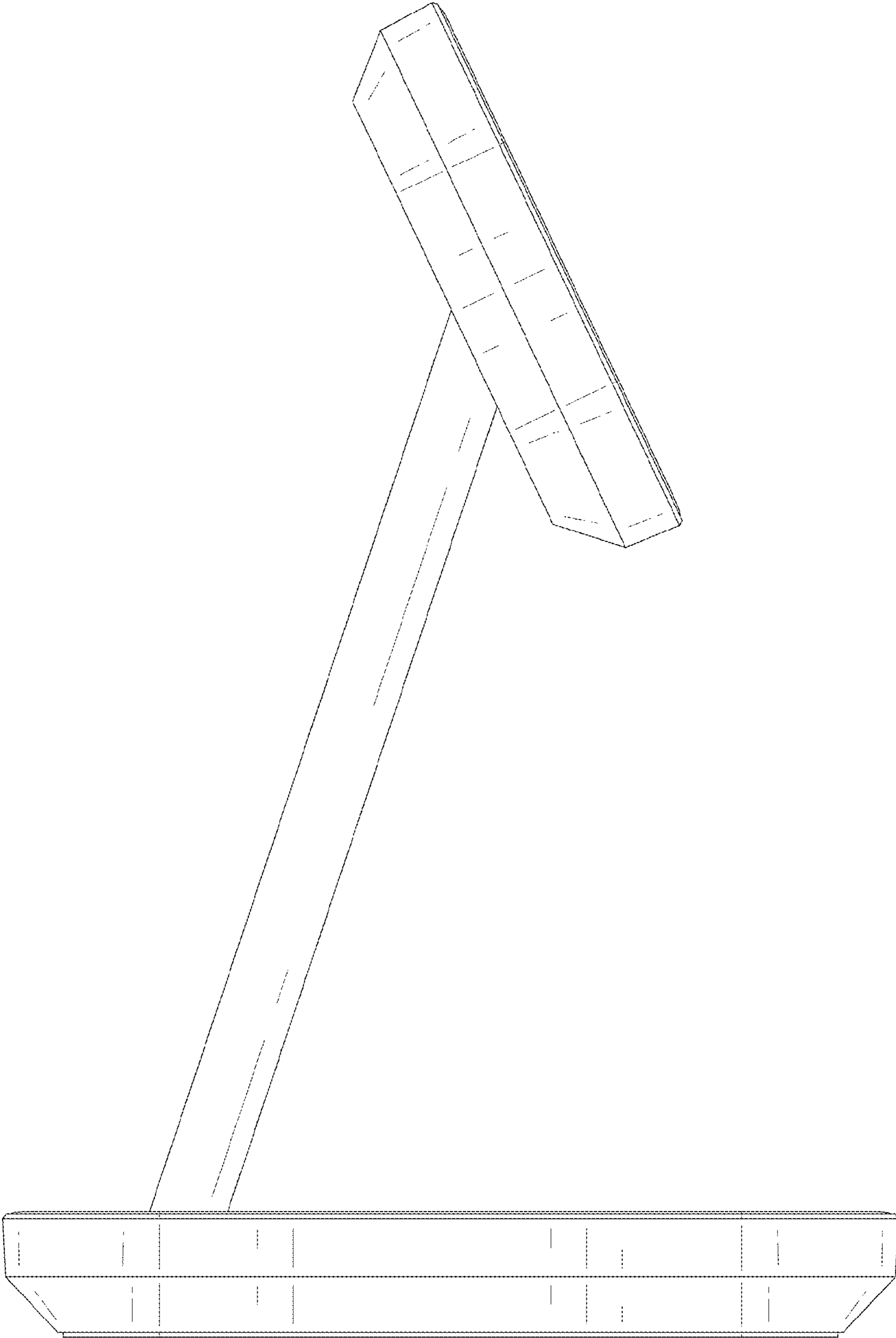


FIG. 5

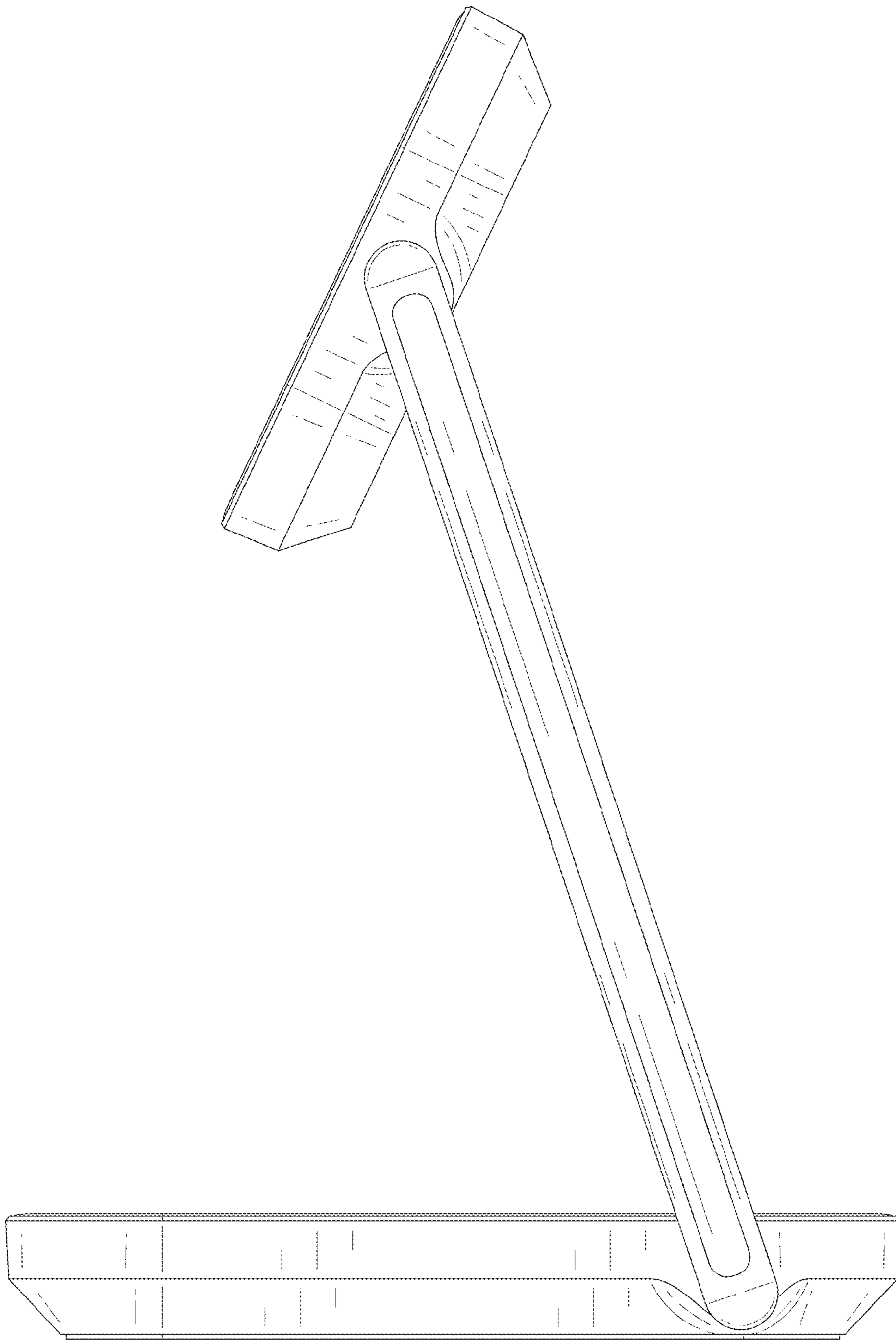


FIG. 6

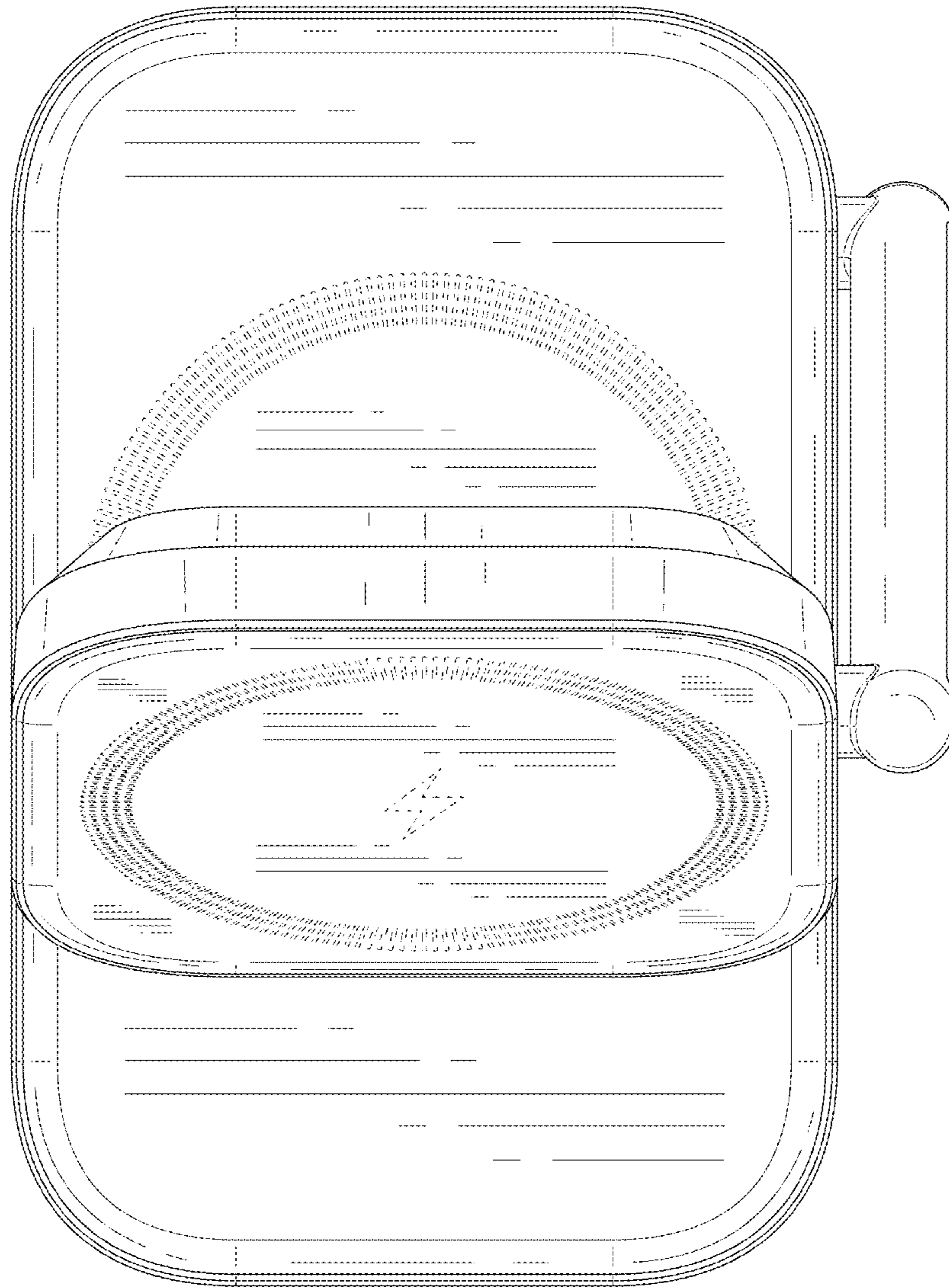


FIG. 7

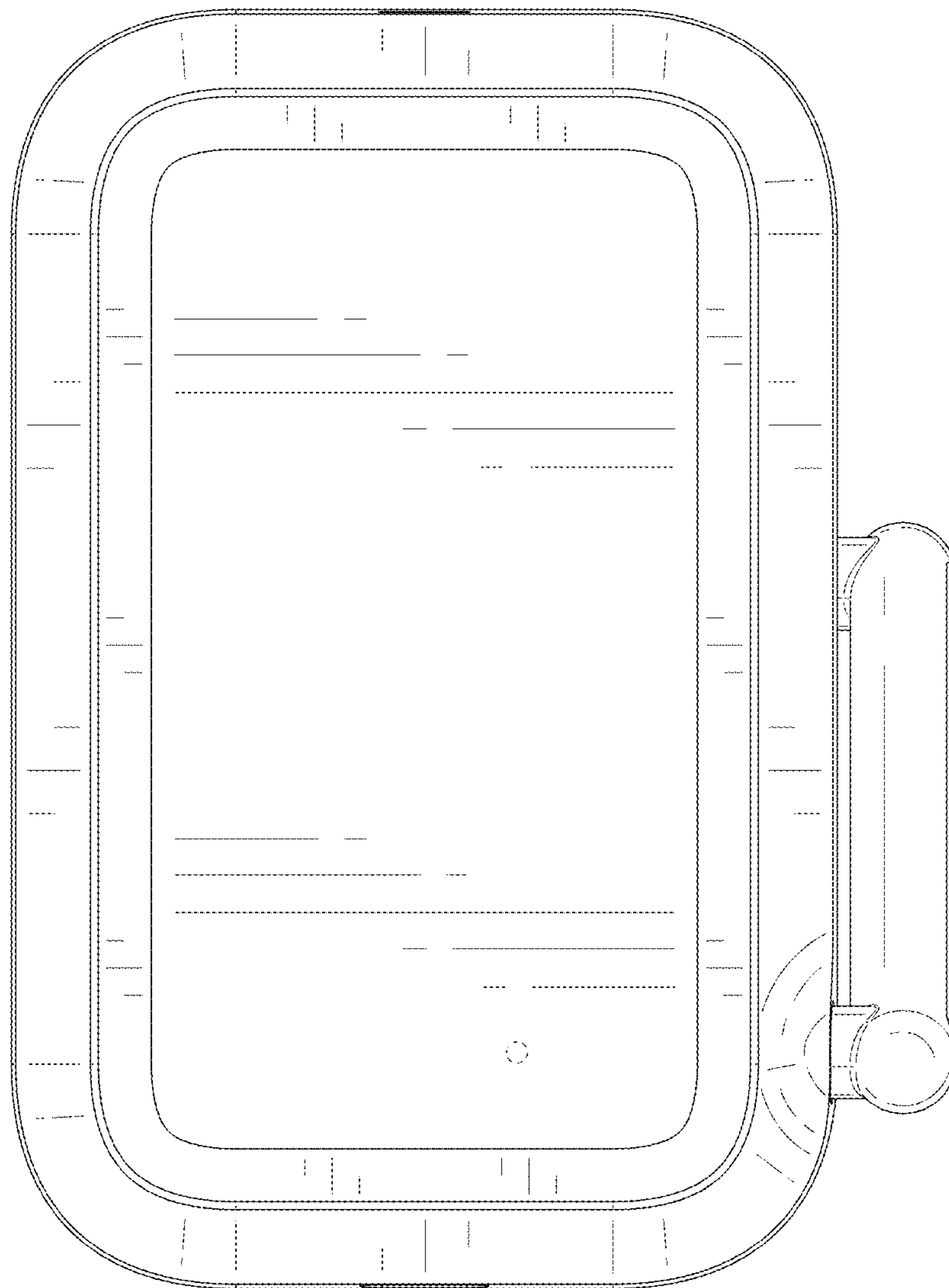


FIG. 8

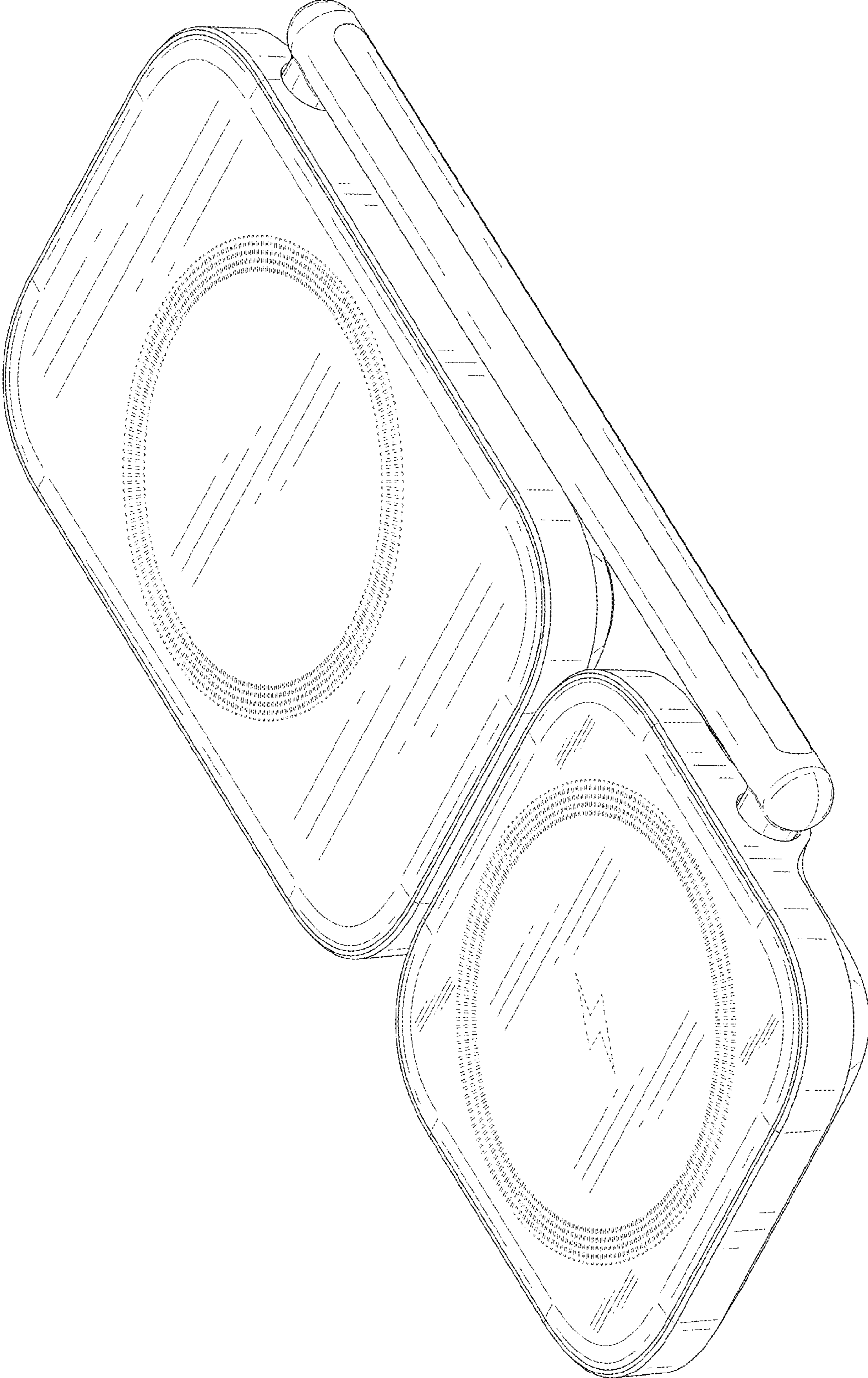


FIG. 9