



US00D984435S

(12) **United States Design Patent**
Shi

(10) **Patent No.:** **US D984,435 S**
(45) **Date of Patent:** **** Apr. 25, 2023**

(54) **BICYCLE MOBILE PHONE STAND**

(71) Applicant: **Shujuan Shi**, Shenzhen (CN)

(72) Inventor: **Shujuan Shi**, Shenzhen (CN)

(**) Term: **15 Years**

(21) Appl. No.: **29/804,415**

(22) Filed: **Aug. 19, 2021**

(51) **LOC (14) Cl.** **14-03**

(52) **U.S. Cl.**
USPC **D14/253**

(58) **Field of Classification Search**

USPC D13/108; D14/217, 250, 251, 252, 253,
D14/440, 447; D12/223, 114, 415;
D3/218
CPC H04M 1/02; H04M 1/04; H04M 1/11;
H04M 1/12; F16M 13/02; F16M 11/06;
F16M 13/00; B62J 11/00; B60R 11/02;
B60R 2325/205; A45C 2011/002

See application file for complete search history.

(56) **References Cited**

U.S. PATENT DOCUMENTS

D504,564 S *	5/2005	Robertson, Jr.	D3/218
D753,126 S *	4/2016	Alesi	D14/447
D770,171 S *	11/2016	Lai	D3/218
D934,557 S *	11/2021	Eremita	D3/218
D936,645 S *	11/2021	Deng	D12/114
D960,144 S *	8/2022	Yuan	D14/253
D960,145 S *	8/2022	Zhou	D14/253
D967,086 S *	10/2022	Wang	D14/253
D971,202 S *	11/2022	Wang	D14/253
2013/0037590 A1 *	2/2013	Yoon	B60R 11/02 224/483
2013/0244735 A1 *	9/2013	Bury	H02J 50/90 455/573
2014/0268622 A1 *	9/2014	Chao	H04M 1/04 248/309.4
2015/0137760 A1 *	5/2015	Yang	B60R 11/02 320/115

FOREIGN PATENT DOCUMENTS

CN 306223917 * 12/2020
GB 6155973 * 8/2021

OTHER PUBLICATIONS

Teumi Bike Phone Mount, Mar. 16, 2022 [online], retrieved Feb. 8, 2023, retrieved from the internet URL: < https://www.amazon.ca/TEUMI-Rotatable-Motorcycle-Operation-Compatible/dp/B09V7W73HP/ref=sr_1_6? > (Year: 2022).*

Vicux Motorcycle Phone Mount, Feb. 20, 2022 [online], retrieved Feb. 8, 2023, retrieved from the internet URL: < https://www.amazon.com/Vicux-Motorcycle-Upgrade-Rotatable-Compatible/dp/B09SYXPMPN/ref=sr_1_5? > (Year: 2022).*

* cited by examiner

Primary Examiner — Janice Hallmark

Assistant Examiner — Rodolfo Castro, Jr.

(57) **CLAIM**

The ornamental design for a bicycle mobile phone stand, as shown and described.

DESCRIPTION

FIG. 1 is a perspective view of a bicycle mobile phone stand showing my new design;

FIG. 2 is another perspective view thereof;

FIG. 3 is a front elevational view thereof;

FIG. 4 is a rear elevational view thereof;

FIG. 5 is a left side elevational view thereof;

FIG. 6 is a right side elevational view thereof;

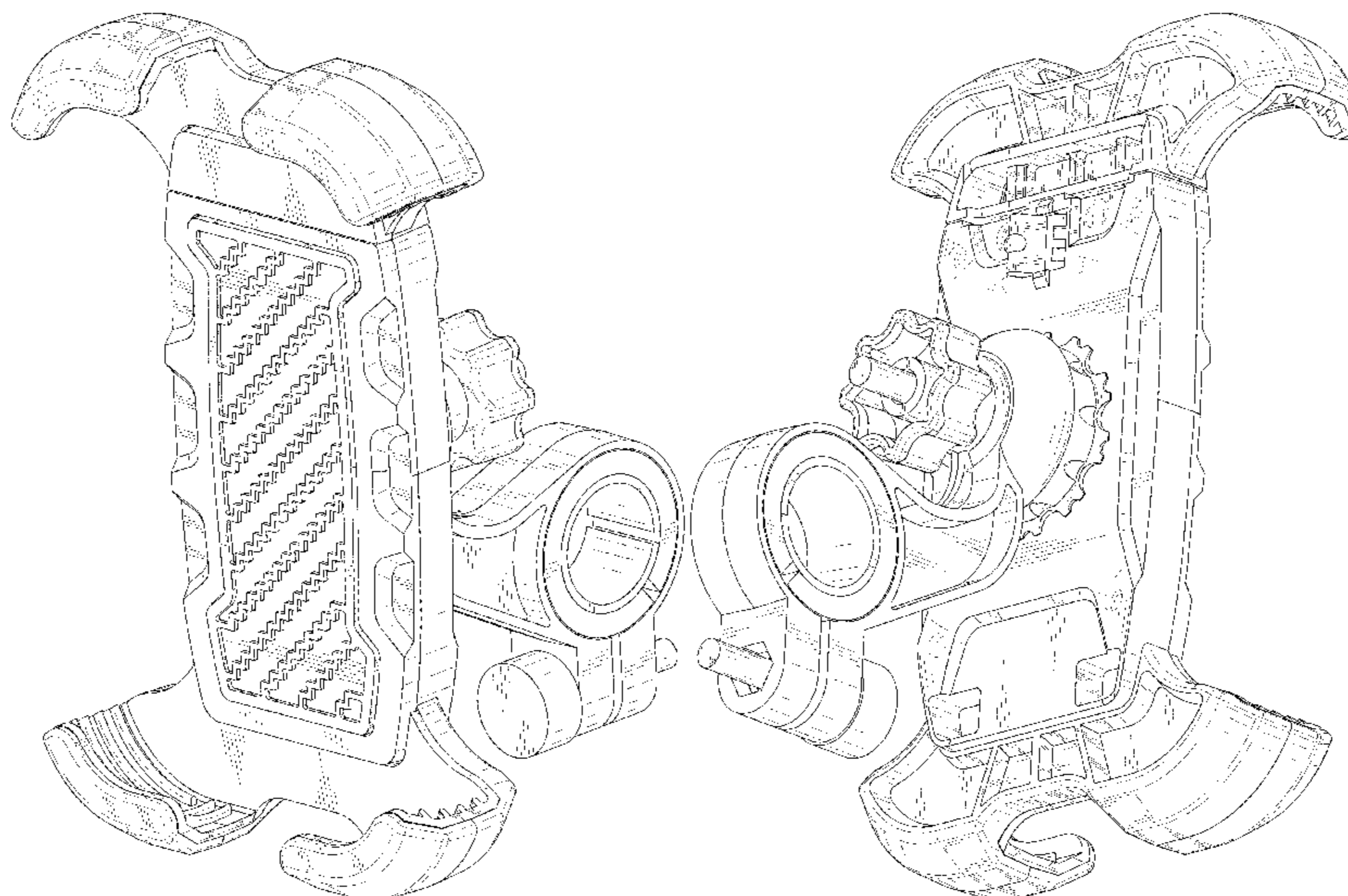
FIG. 7 is a top plan view thereof;

FIG. 8 is a bottom plan view thereof; and,

FIG. 9 is a perspective view of the bicycle mobile phone stand where the bicycle mobile phone stand is in a configuration of use.

The broken lines in the drawings depict portions of the bicycle mobile phone stand that form no part of the claimed design.

1 Claim, 9 Drawing Sheets



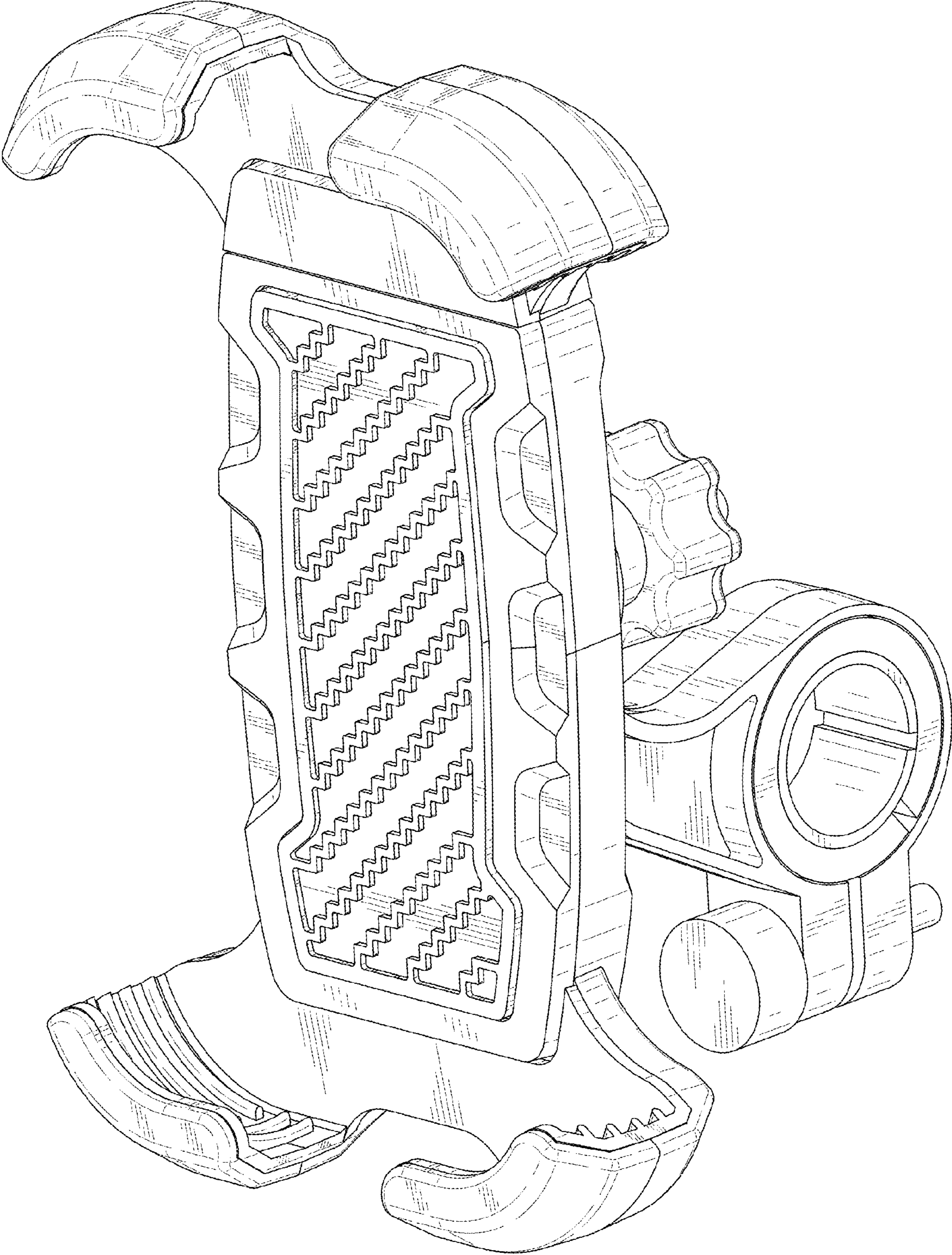


FIG. 1

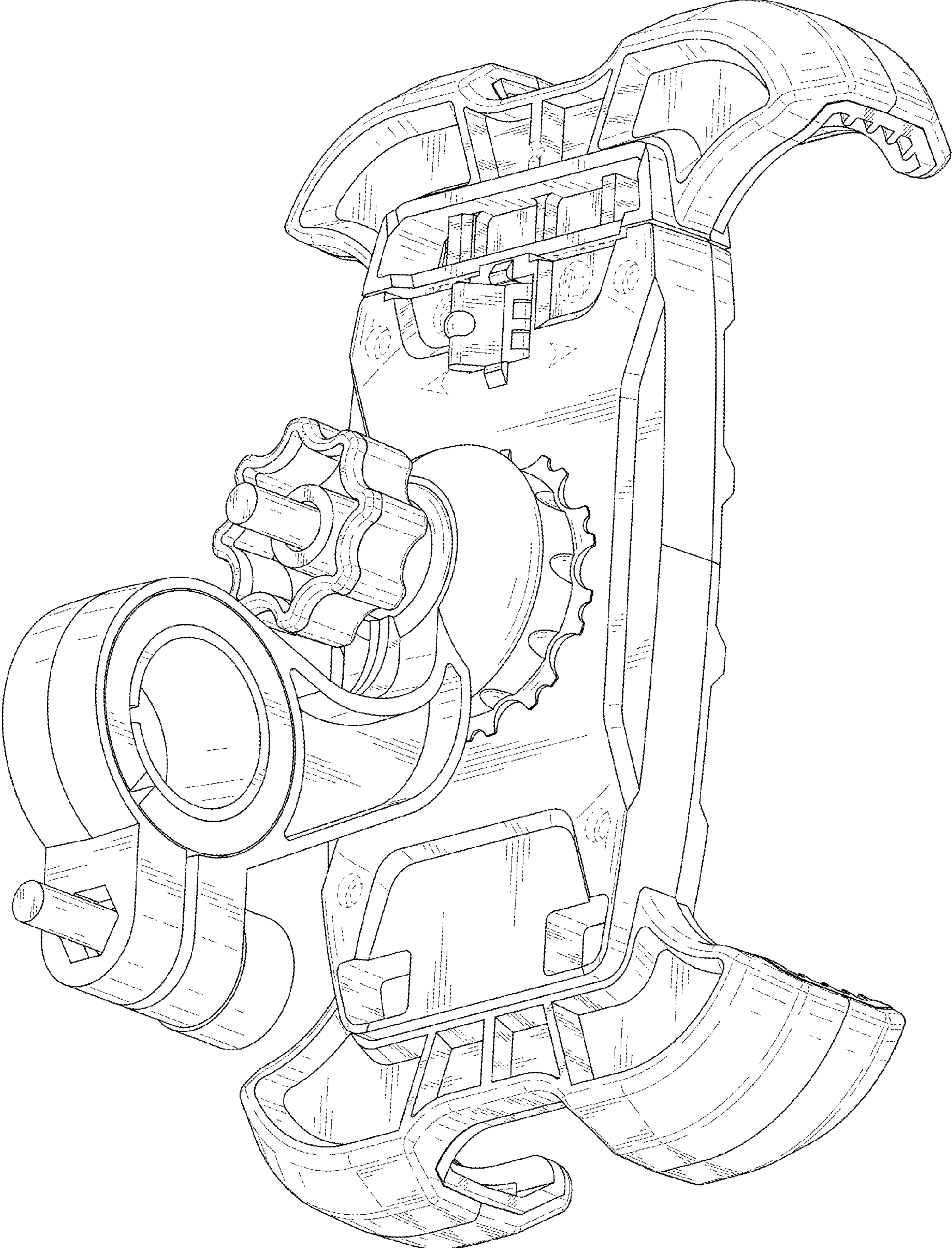


FIG. 2

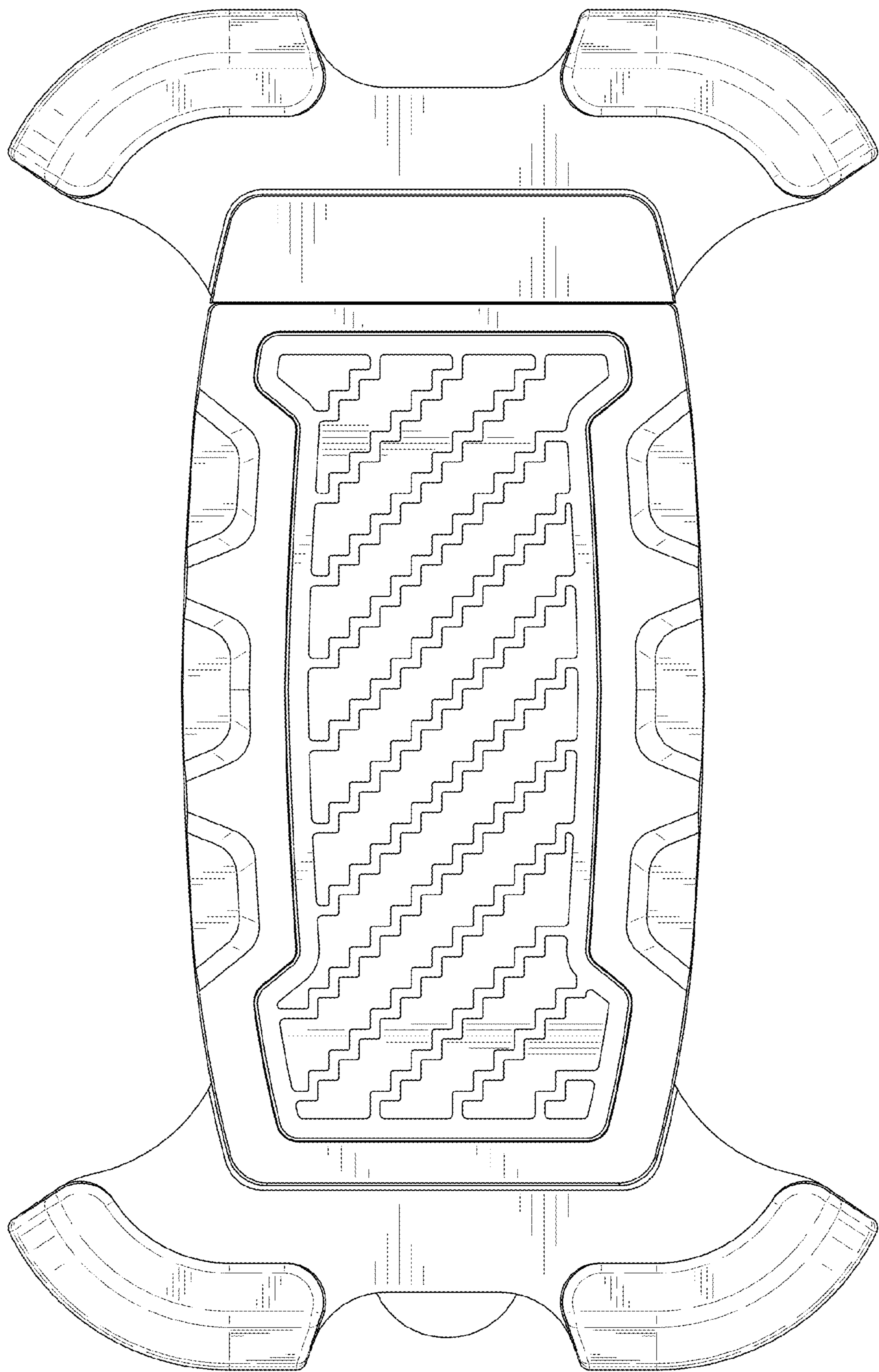


FIG. 3

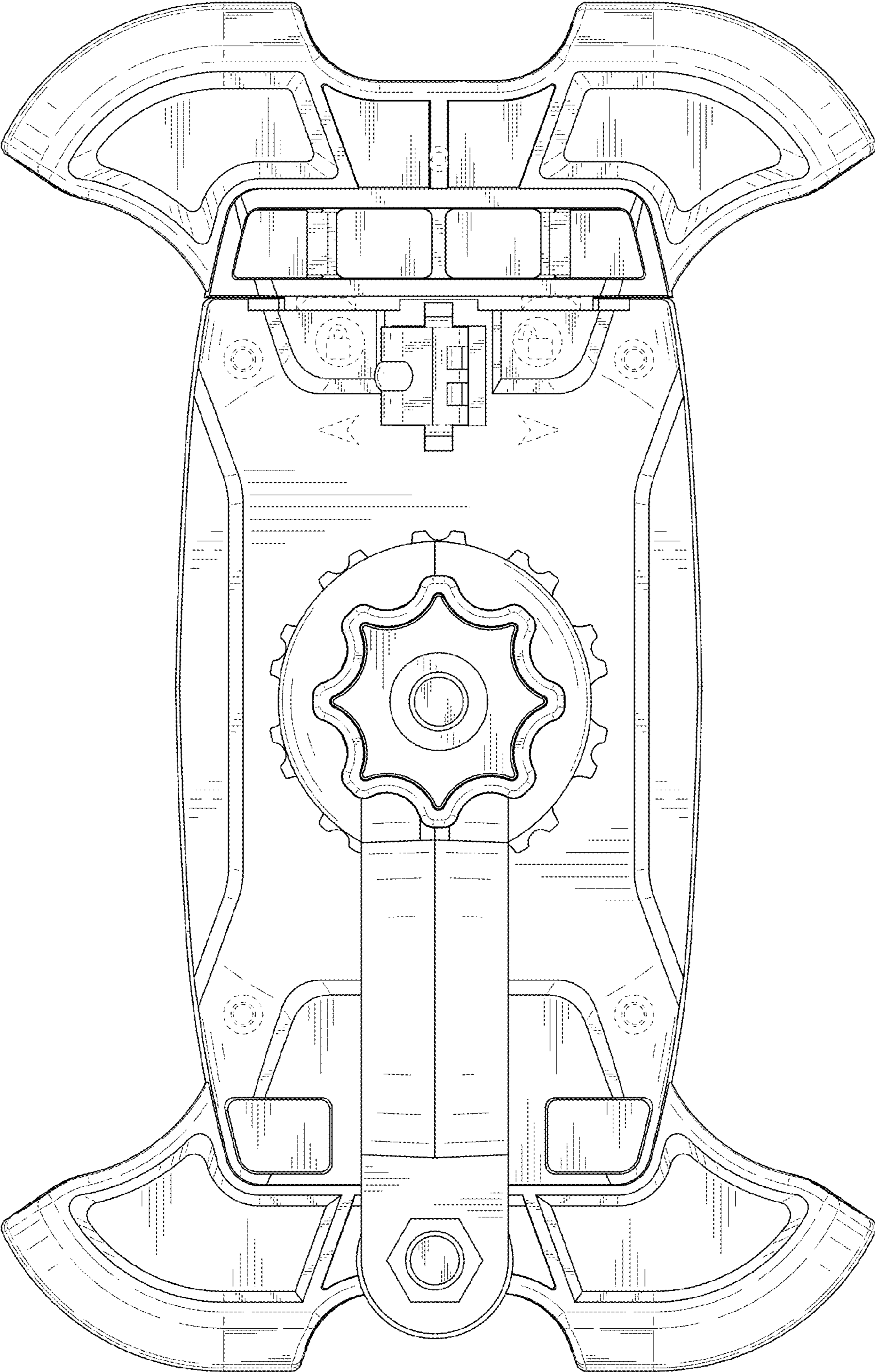


FIG. 4

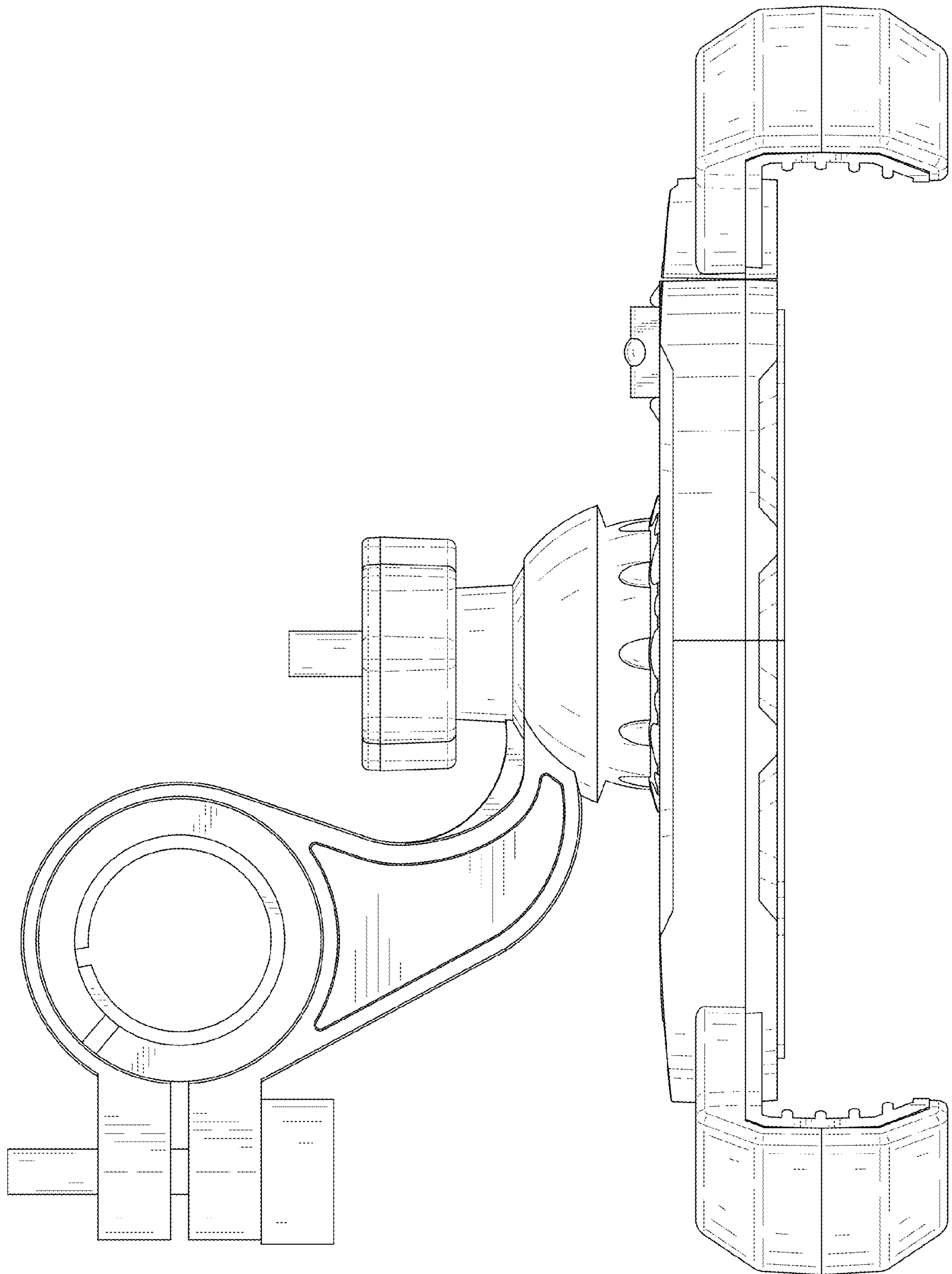


FIG. 5

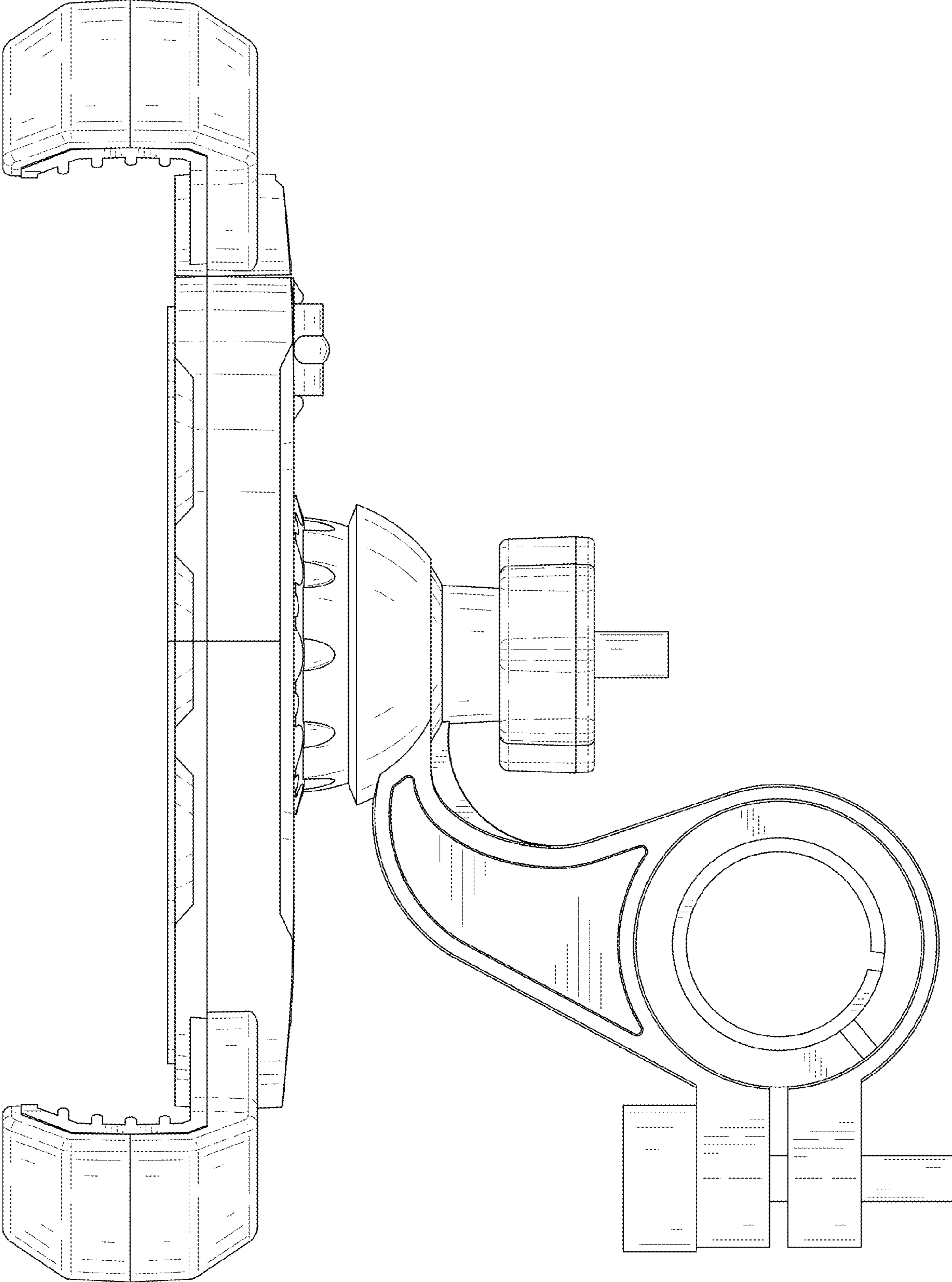


FIG. 6

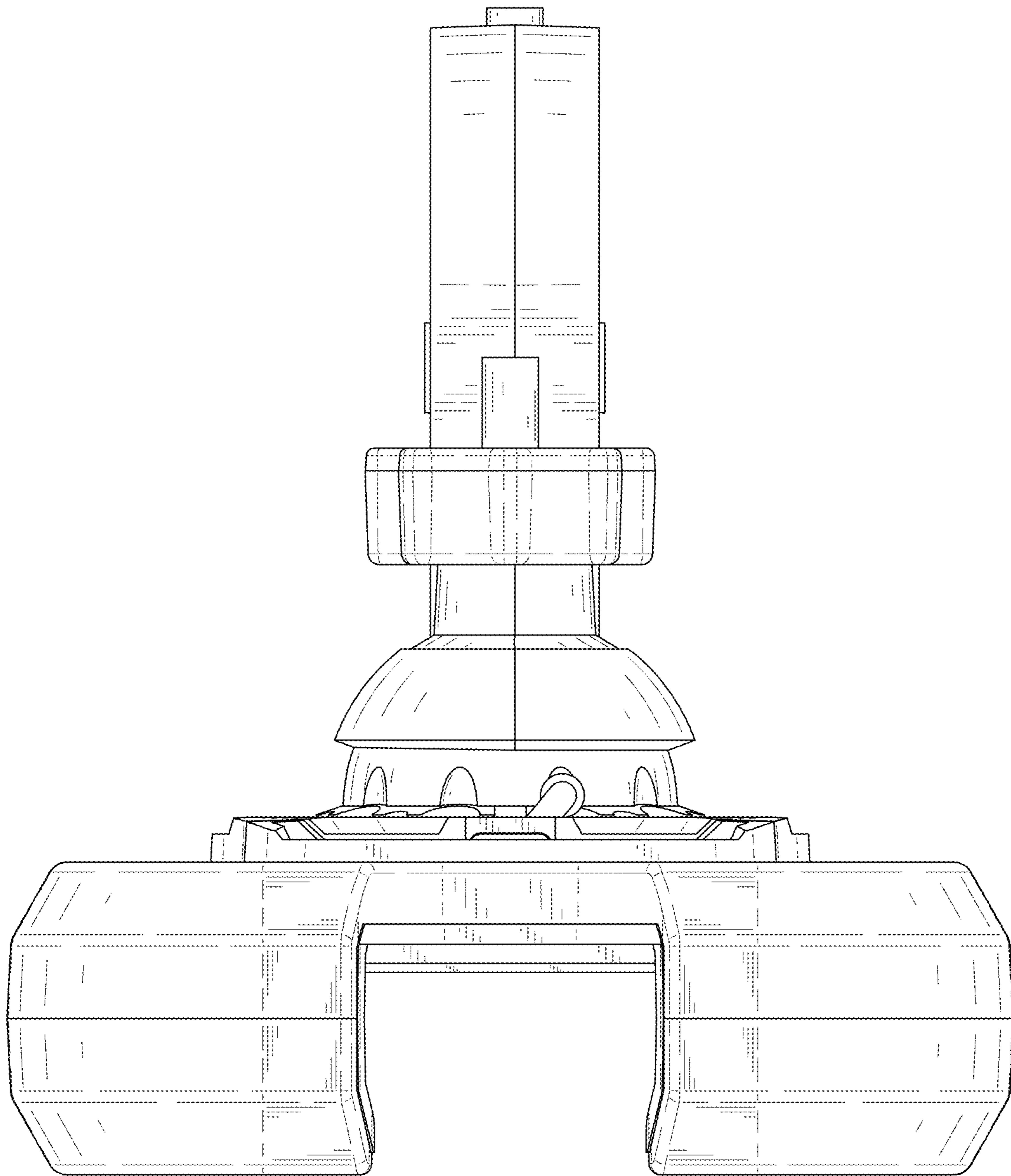


FIG. 7

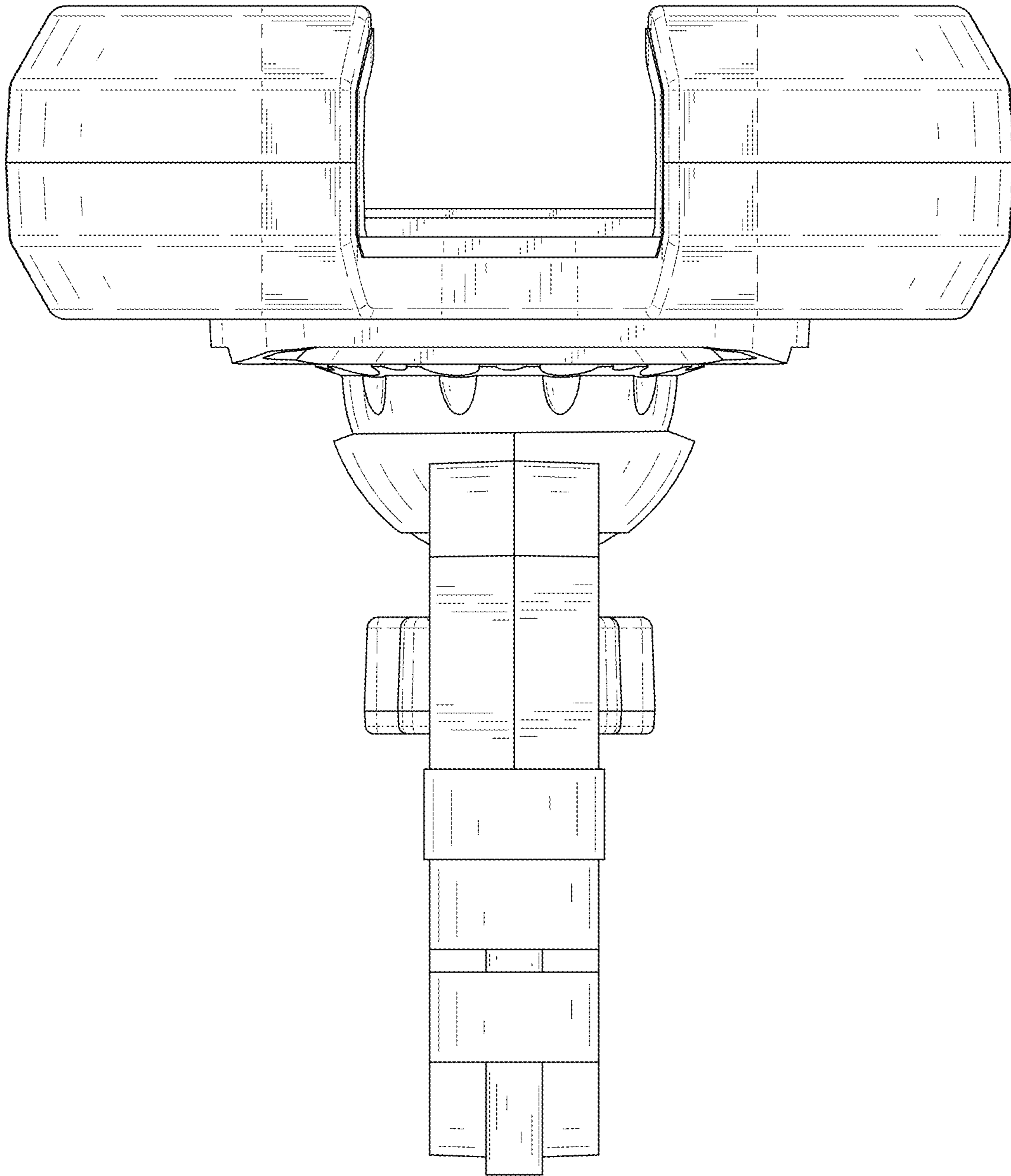


FIG. 8

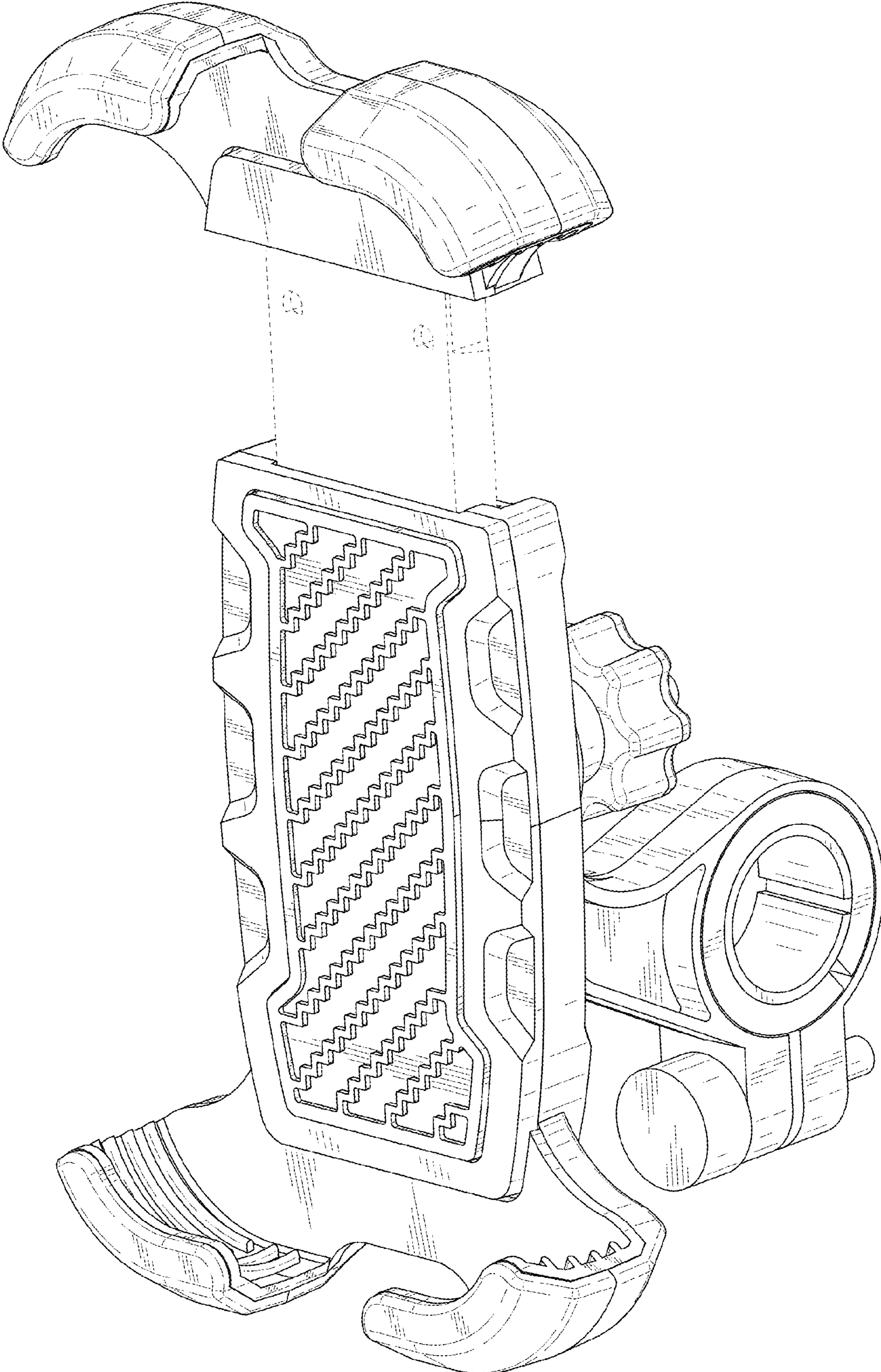


FIG. 9