



US00D984434S

(12) **United States Design Patent**
Zhou

(10) **Patent No.:** **US D984,434 S**

(45) **Date of Patent:** **** Apr. 25, 2023**

- (54) **ELECTRONIC DEVICE HOLDER**
- (71) Applicant: **SHENZHEN EARY INNOVATION DESIGN CO., LTD**, Shenzhen (CN)
- (72) Inventor: **Shiwang Zhou**, Shenzhen (CN)
- (73) Assignee: **SHENZHEN EARY INNOVATION DESIGN CO., LTD**, Shenzhen (CN)

D799,466 S *	10/2017	Sukphist	D14/253
D826,023 S *	8/2018	Chun	D8/72
D826,225 S *	8/2018	Chen	D14/253
D831,660 S *	10/2018	Yao	D14/447
D845,960 S *	4/2019	Yao	D14/447
D858,509 S *	9/2019	Yao	D12/415
D868,054 S *	11/2019	Kim	D12/415
D879,753 S *	3/2020	Boggs	D14/230
D893,497 S *	8/2020	Li	D14/440
D934,234 S *	10/2021	Deng	D14/447
D972,574 S *	12/2022	Li	D14/440

(**) Term: **15 Years**

* cited by examiner

(21) Appl. No.: **29/799,739**

Primary Examiner — Janice Hallmark

(22) Filed: **Jul. 16, 2021**

(57) **CLAIM**

(30) **Foreign Application Priority Data**

The ornamental design for an electronic device holder, as shown and described.

May 17, 2021 (CN) 202130294434.8

DESCRIPTION

(51) **LOC (14) Cl.** **14-03**

FIG. 1 is a perspective view of an electronic device holder showing my new design;
 FIG. 2 is another perspective view thereof;
 FIG. 3 is a front elevational view thereof;
 FIG. 4 is a rear elevational view thereof;
 FIG. 5 is a left side elevational view thereof;
 FIG. 6 is a right side elevational view thereof;
 FIG. 7 is a top plan view thereof;
 FIG. 8 is a bottom plan view thereof; and,
 FIG. 9 is an enlarged view of portion 9 shown in FIG. 1.
 The broken lines in the drawings depict portions of the electronic device holder that form no part of the claimed design.

(52) **U.S. Cl.**

USPC **D14/253**

(58) **Field of Classification Search**

USPC D14/251–253, 440, 447; D3/218; D12/415

CPC F16M 13/005; F16M 11/10; F16M 11/38; F16M 13/02; H04M 1/04; G06F 1/1626

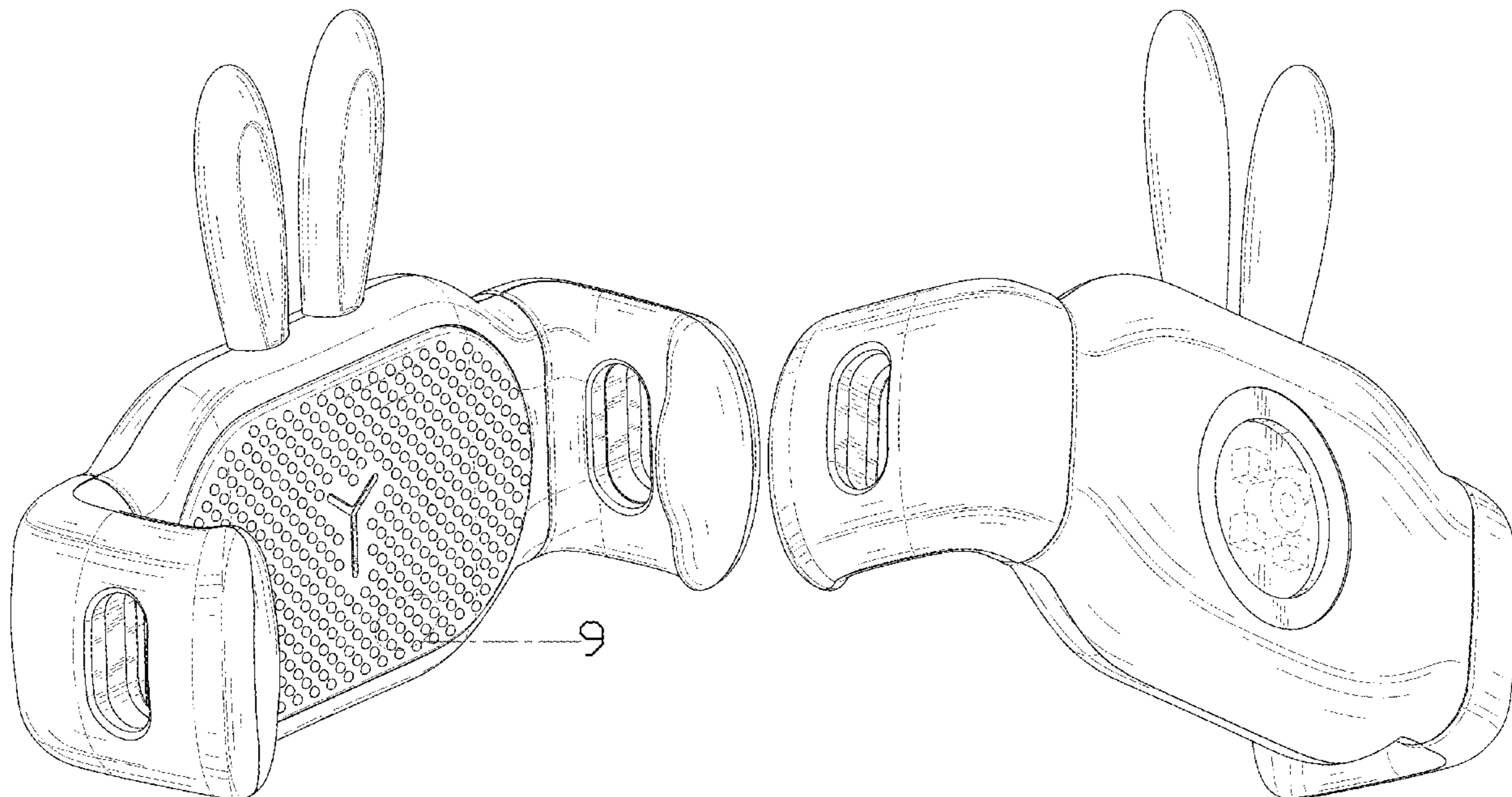
See application file for complete search history.

(56) **References Cited**

U.S. PATENT DOCUMENTS

D495,333 S *	8/2004	Borsboom	D14/371
D720,759 S *	1/2015	Deng	D14/447
D784,977 S *	4/2017	Ormsbee	D14/253

1 Claim, 9 Drawing Sheets



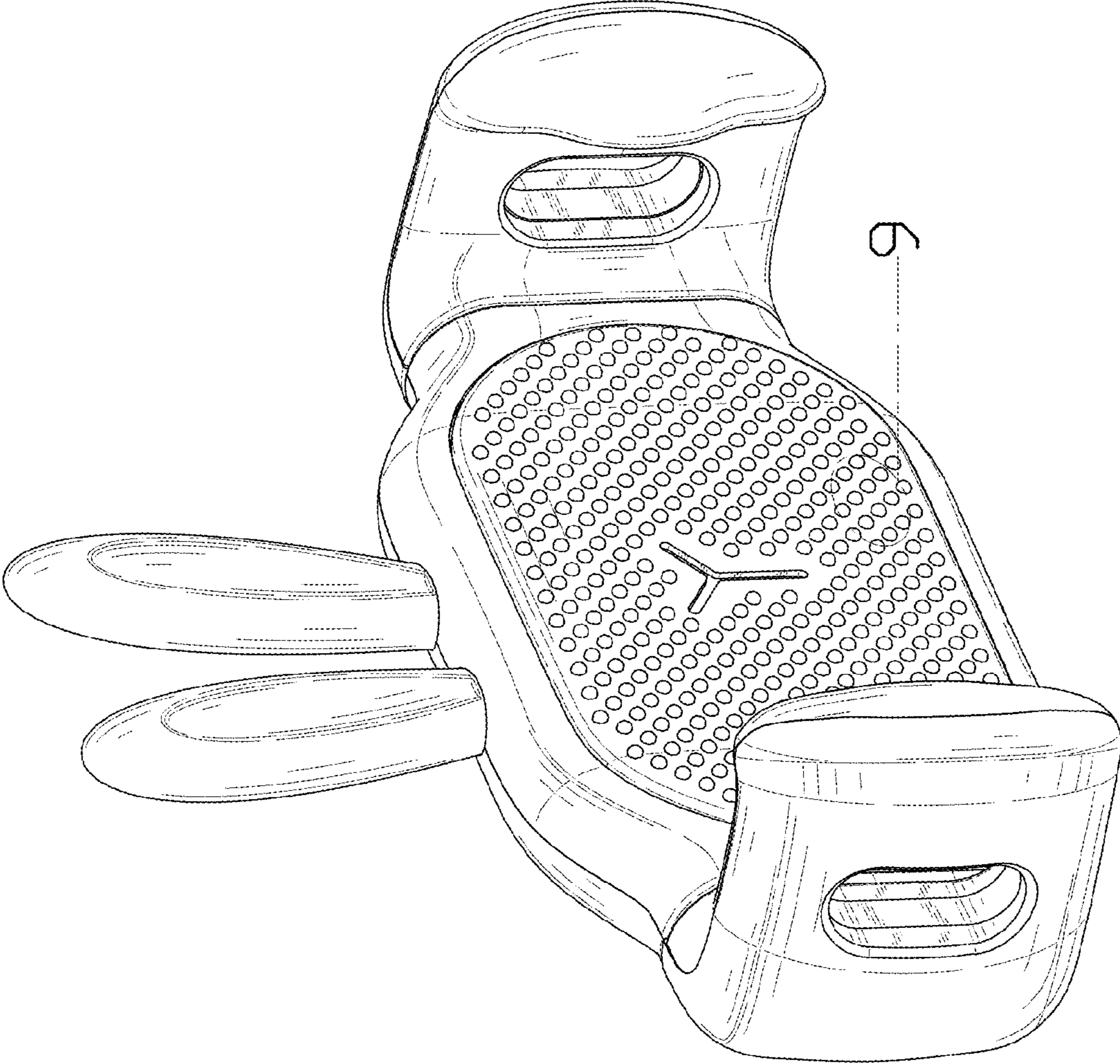


FIG. 1

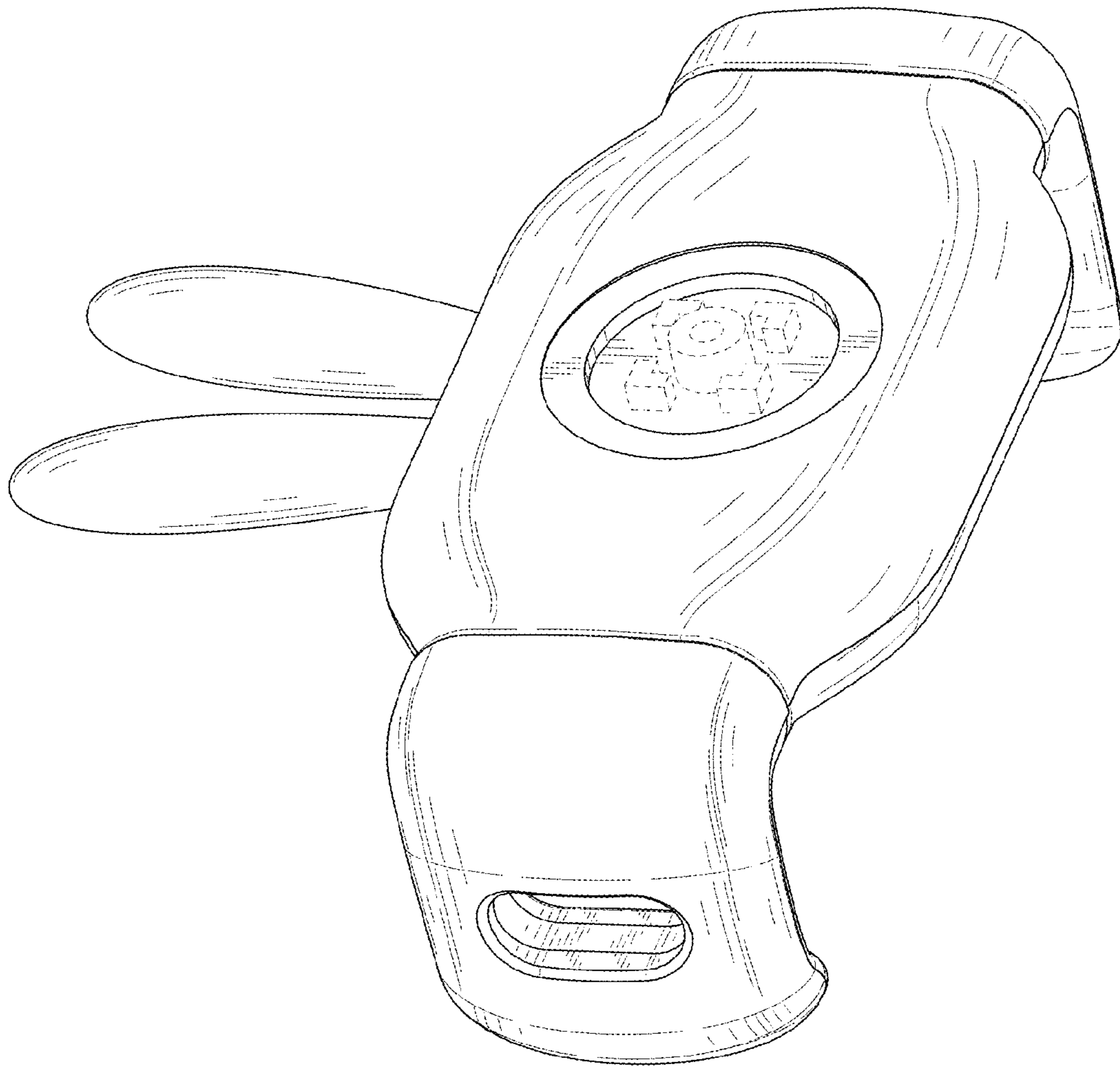


FIG. 2

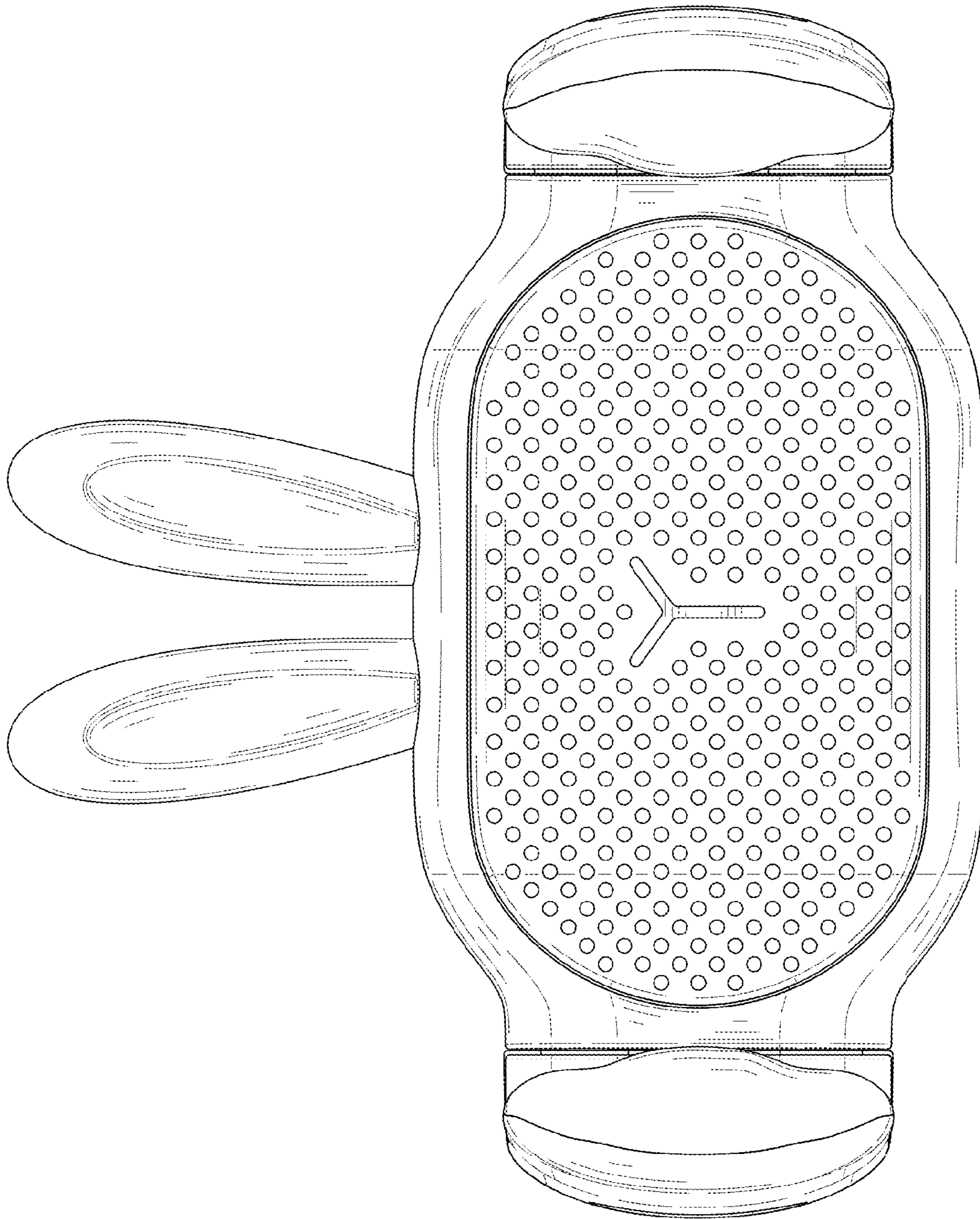


FIG. 3

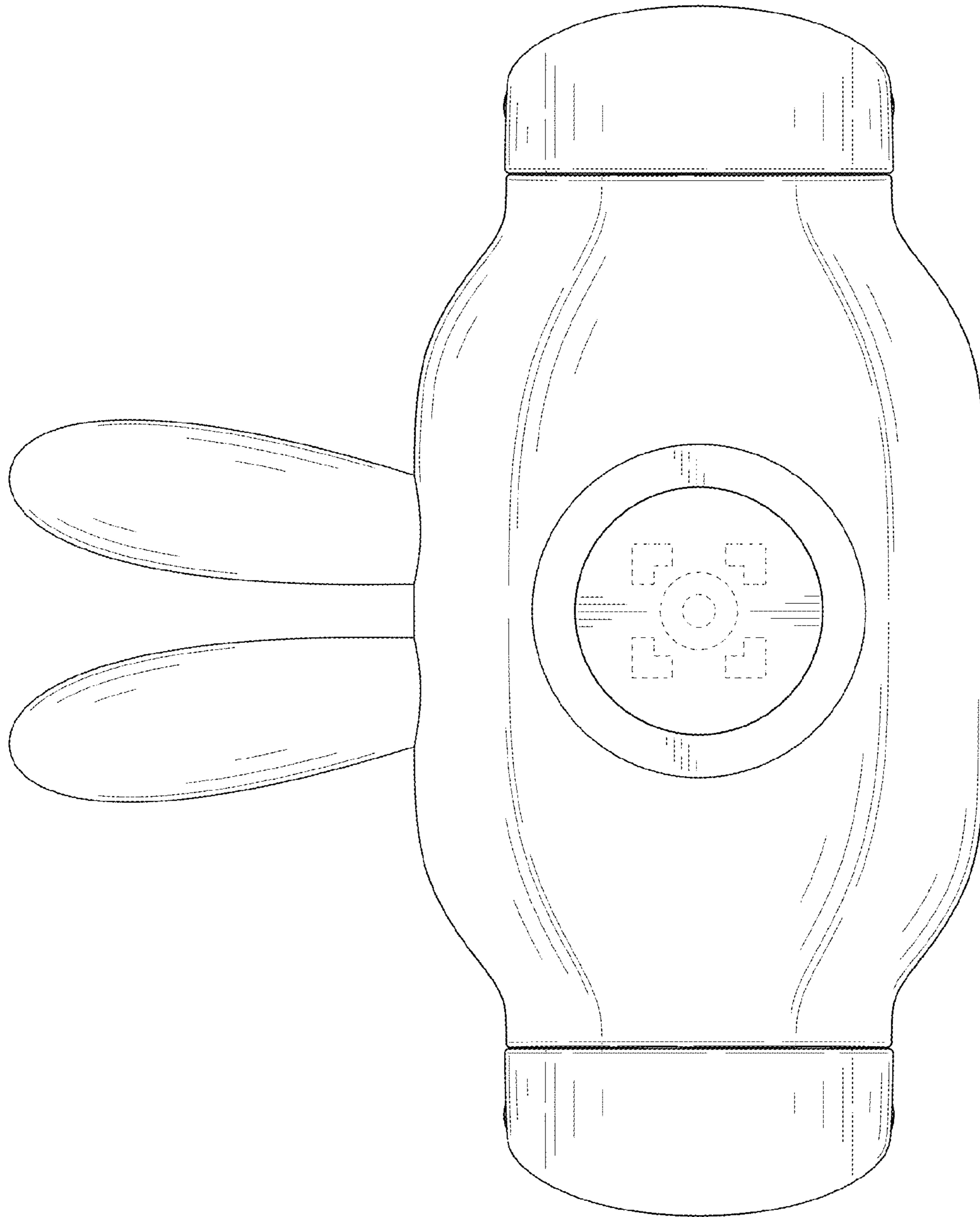


FIG. 4

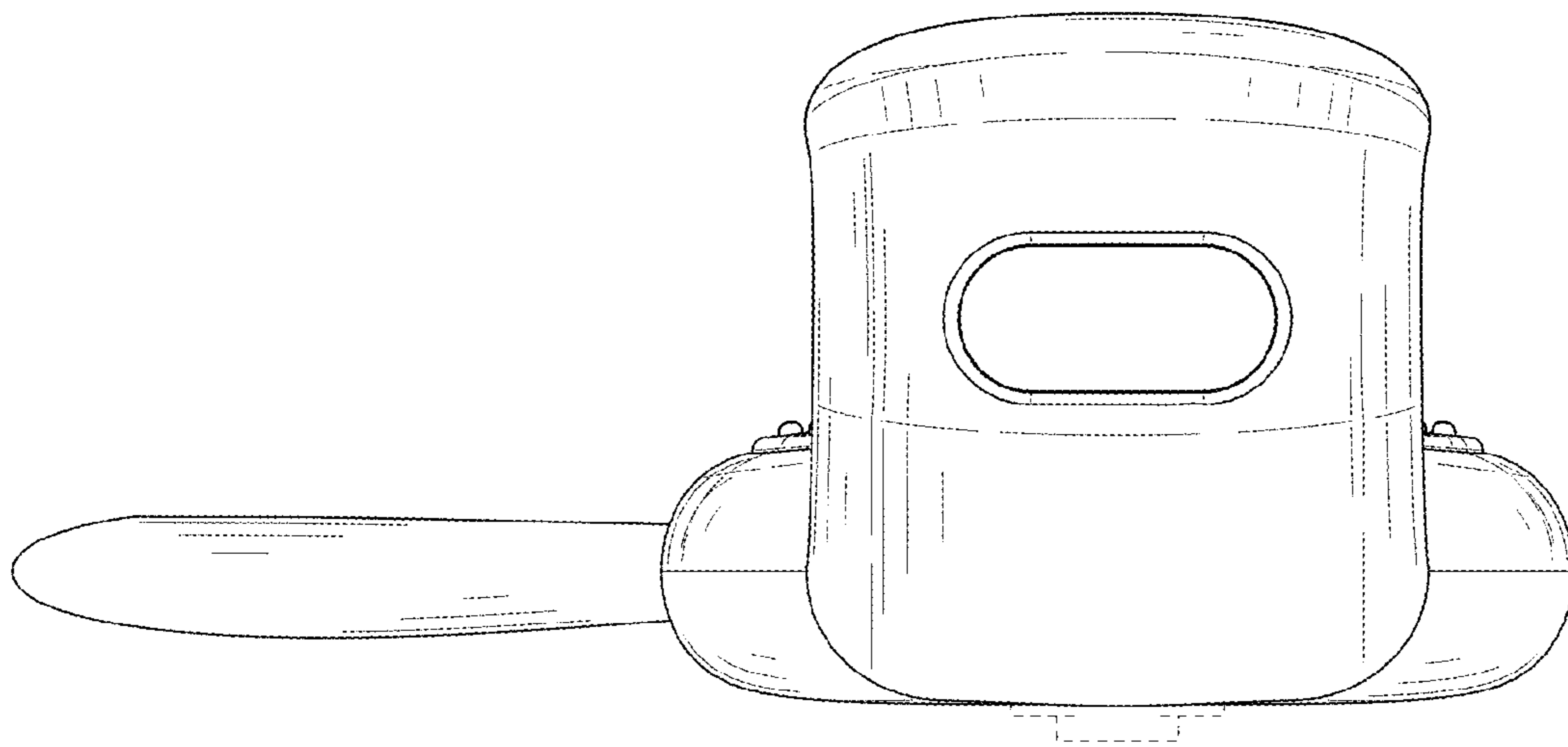


FIG. 5

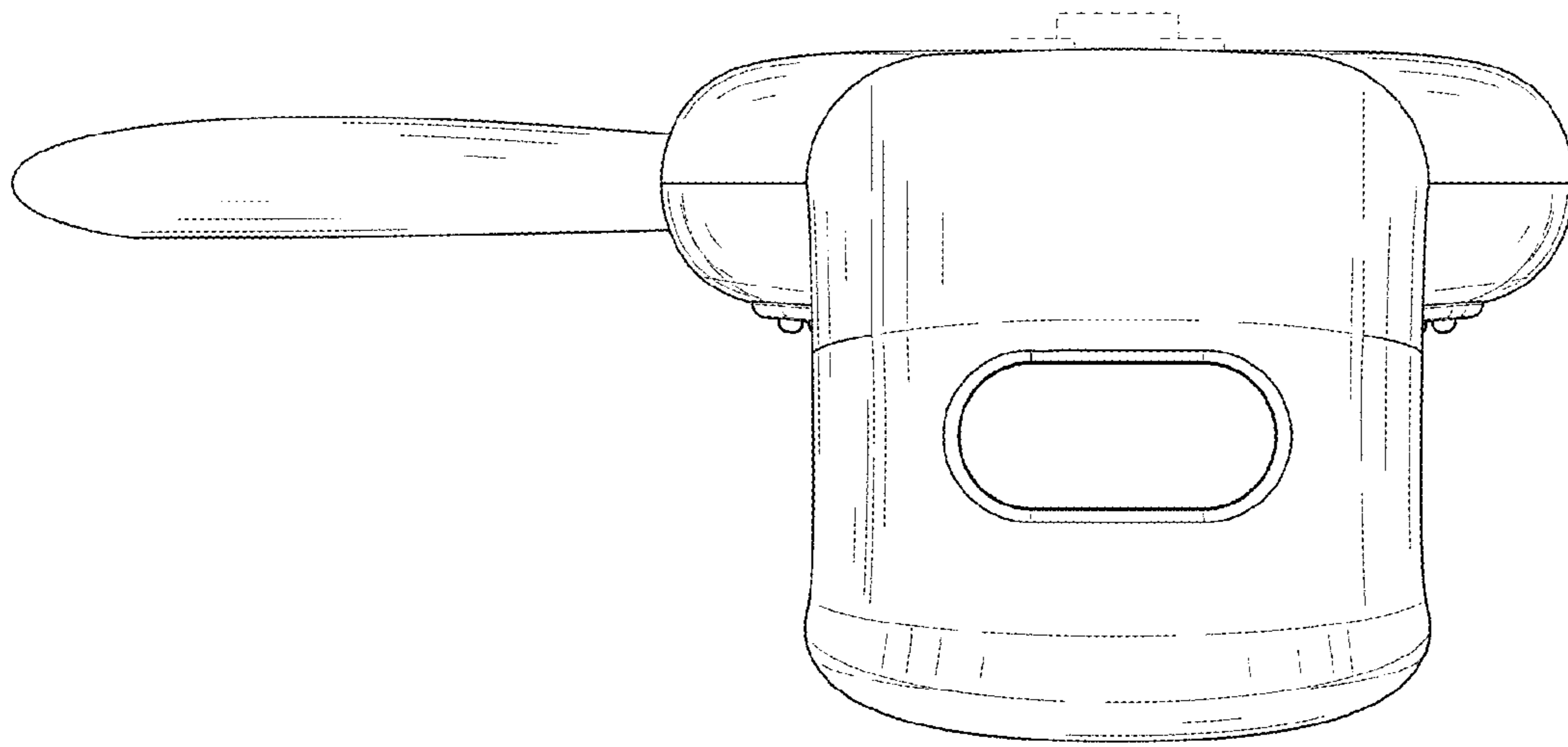


FIG. 6

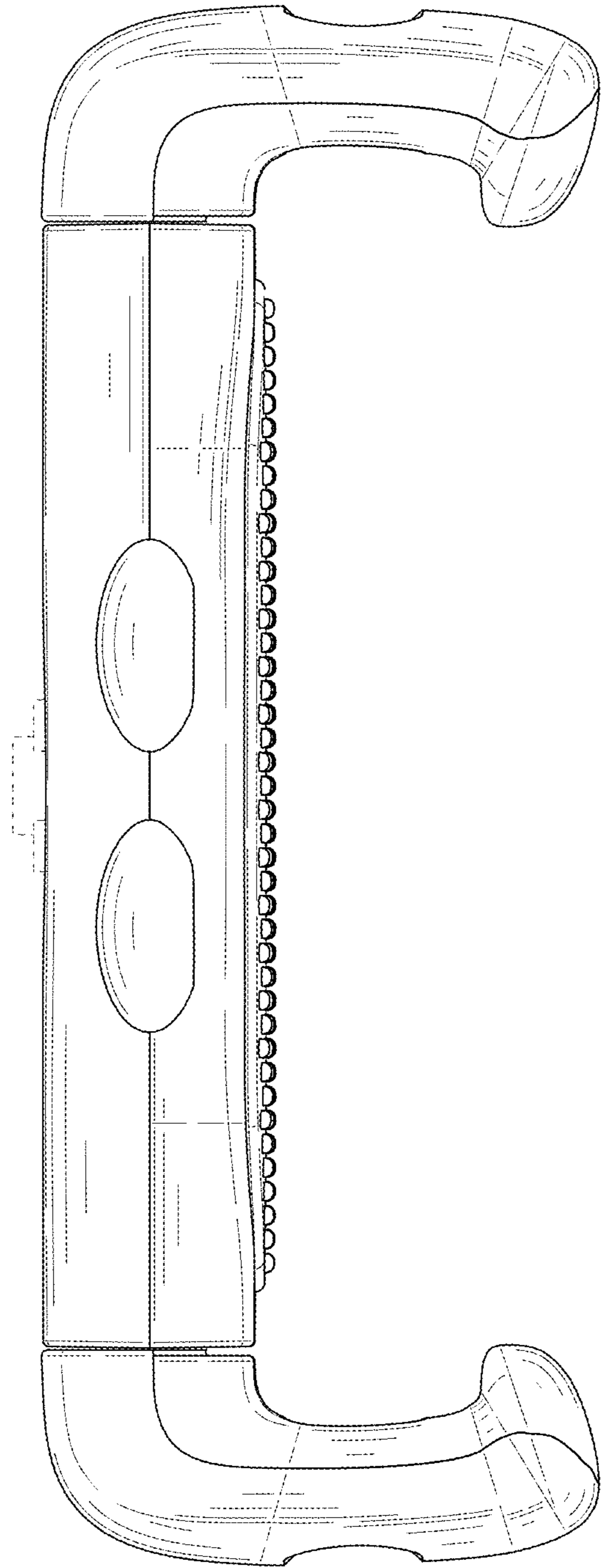


FIG. 7

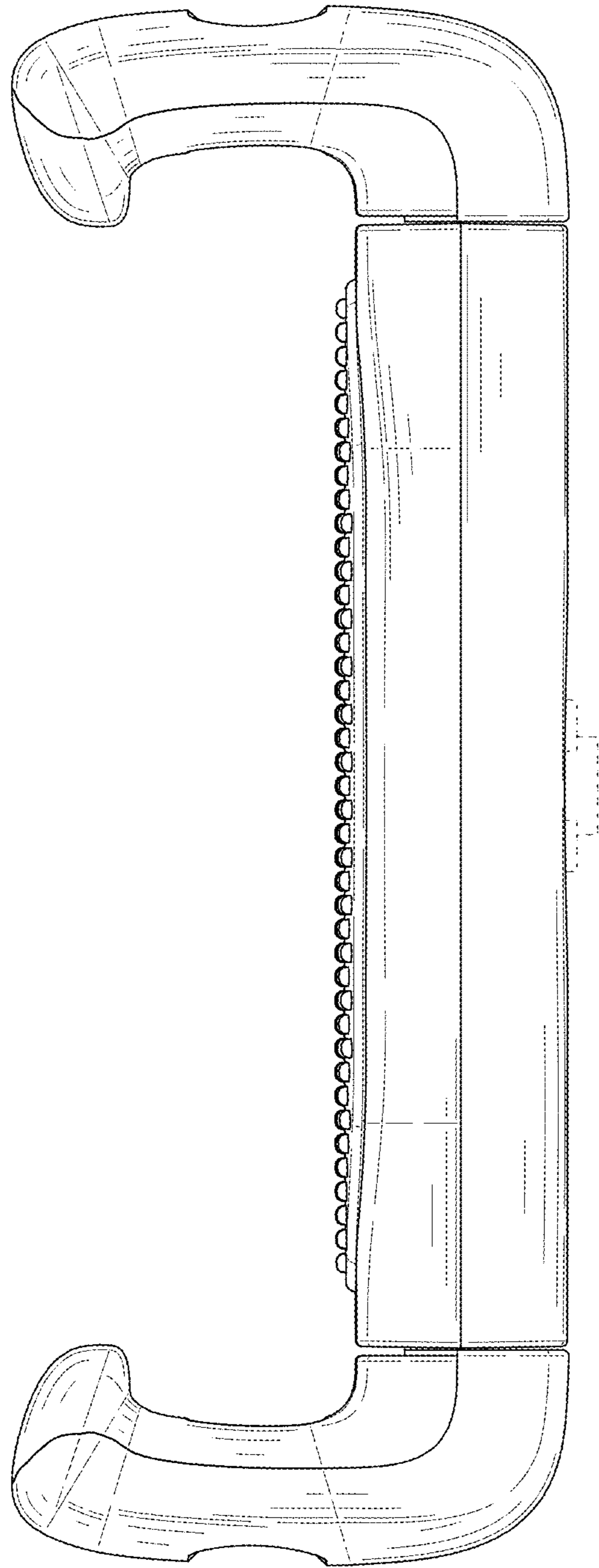


FIG. 8

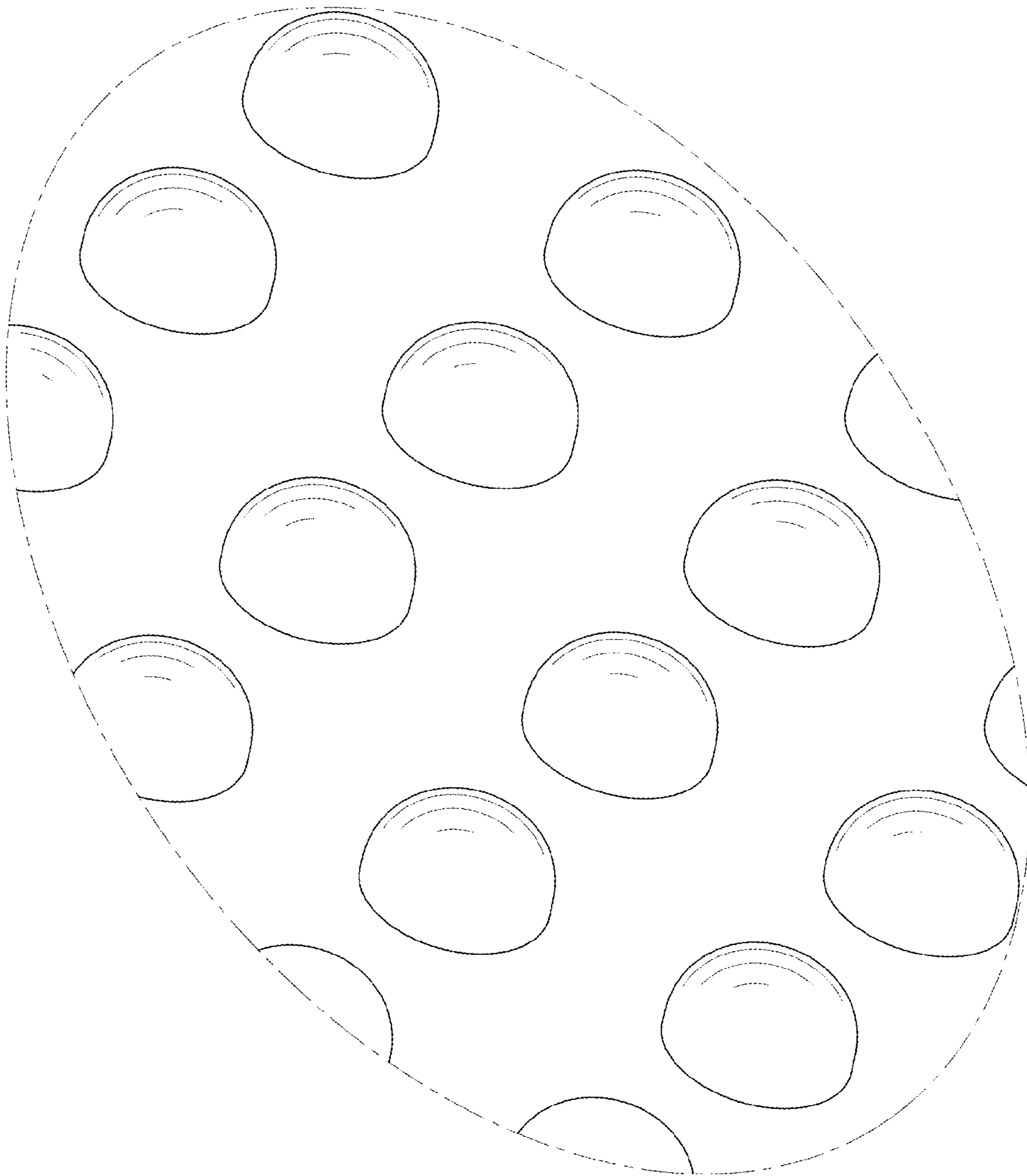


FIG. 9