



US00D984433S

(12) **United States Design Patent**
Wright et al.

(10) **Patent No.:** **US D984,433 S**
(45) **Date of Patent:** **** Apr. 25, 2023**

(54) **ACCESSORY FOR ELECTRONIC DEVICE**

(71) Applicant: **Catalyst Lifestyle Limited**, North Point (HK)

(72) Inventors: **Joshua Wright**, Hong Kong (CN);
June Lai, Hong Kong (CN)

(73) Assignee: **CATALYST LIFESTYLE LIMITED**, North Point (HK)

(**) Term: **15 Years**

(21) Appl. No.: **29/770,320**

(22) Filed: **Feb. 11, 2021**

(30) **Foreign Application Priority Data**

Sep. 15, 2020 (CN) 202030547429.9

(51) **LOC (14) Cl.** **14-03**

(52) **U.S. Cl.**
USPC **D14/253; D3/218**

(58) **Field of Classification Search**
USPC D14/217, 250-253, 440, 447; D12/415;
D3/218

(Continued)

(56) **References Cited**

U.S. PATENT DOCUMENTS

D412,706 S * 8/1999 Virost D30/153
D477,709 S * 7/2003 Natividad D3/218

(Continued)

OTHER PUBLICATIONS

Poseidon 2 in 1 Metal Cell Phone Lanyard Finger Ring, Walmart.com, retrieved Dec. 13, 2022. < <https://www.walmart.com/ip/Poseidon-2-in-1-Metal-Cell-Phone-Lanyard-Finger-Ring-Multifunction-Mobile-Phone-Holder/122886435> > (Year: 2022).*

(Continued)

Primary Examiner — Janice Hallmark

Assistant Examiner — Rodolfo Castro, Jr.

(74) *Attorney, Agent, or Firm* — Dinsmore & Shohl LLP

(57) **CLAIM**

The ornamental design for an accessory for electronic device, as shown and described.

DESCRIPTION

FIG. 1 is a perspective view of the front, top, and side of an accessory for electronic device shown in a first position of use;

FIG. 2 is a front elevation view thereof;

FIG. 3 is a rear elevation view thereof;

FIG. 4 is a side elevation view thereof;

FIG. 5 is an opposite side elevation view thereof;

FIG. 6 is a top plan view thereof;

FIG. 7 is a bottom plan view thereof;

FIG. 8 is a perspective view of the rear, top, and side of the accessory for electronic device of FIG. 1 shown in a first position of use in the environment of an electronic device;

FIG. 9 is a front elevation view thereof;

FIG. 10 is a rear elevation view thereof;

FIG. 11 is a side elevation view thereof;

FIG. 12 is an opposite side elevation view thereof;

FIG. 13 is a top plan view thereof;

FIG. 14 is a bottom plan view thereof;

FIG. 15 is a perspective view of the front, top, and side of the accessory for electronic device of FIG. 1 shown in a second position of use;

FIG. 16 is a front elevation view thereof;

FIG. 17 is a rear elevation view thereof;

FIG. 18 is a side elevation view thereof;

FIG. 19 is an opposite side elevation view thereof;

FIG. 20 is a top plan view thereof;

FIG. 21 is a bottom plan view thereof;

FIG. 22 is an exploded perspective view of the rear, top, and side of the accessory for electronic device of FIG. 1;

FIG. 23 is an exploded perspective view of the front, bottom, and side thereof;

FIG. 24 is a perspective view of the rear, bottom, and side of the accessory for electronic device of FIG. 1 shown in a second position of use in the environment of an electronic device;

(Continued)

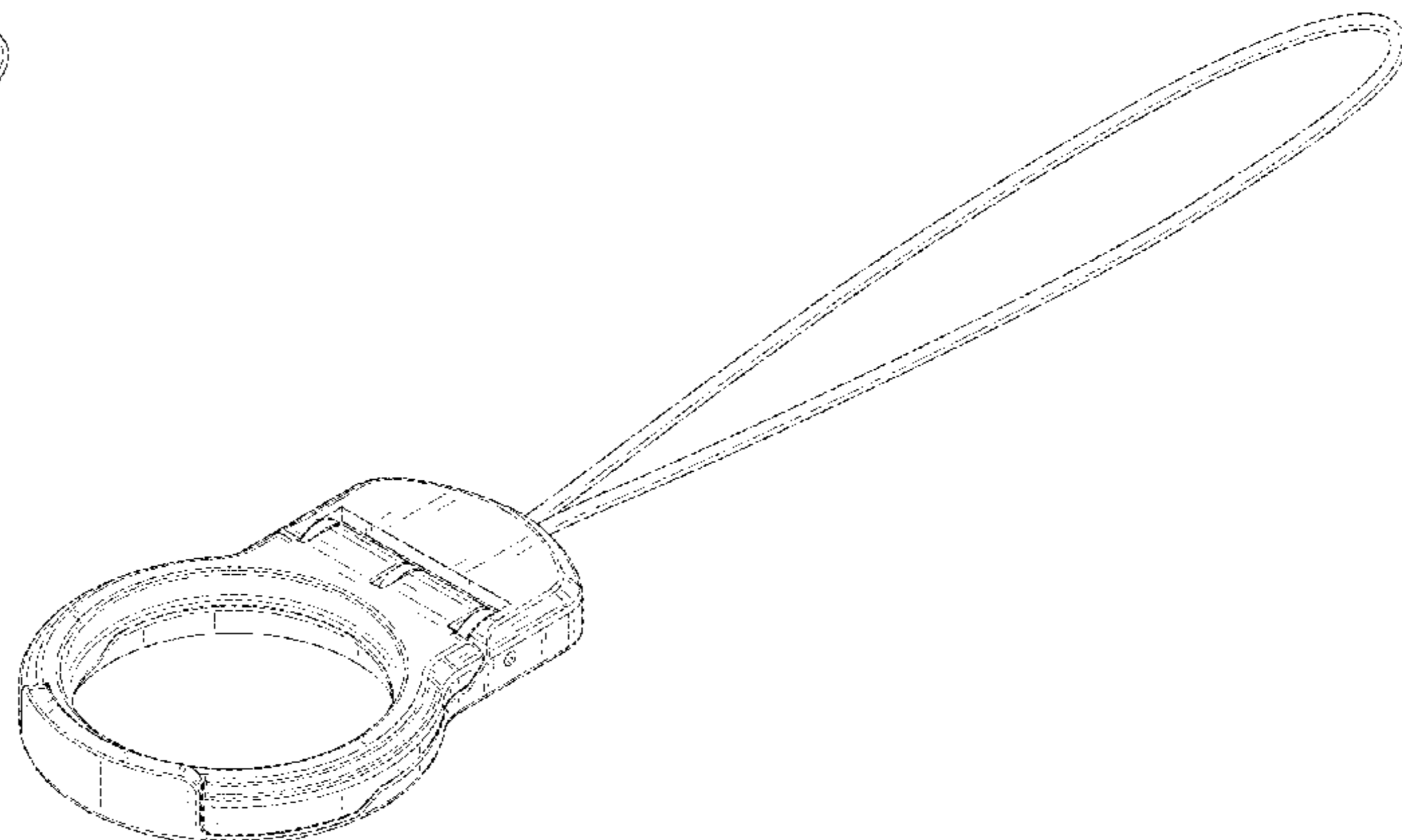
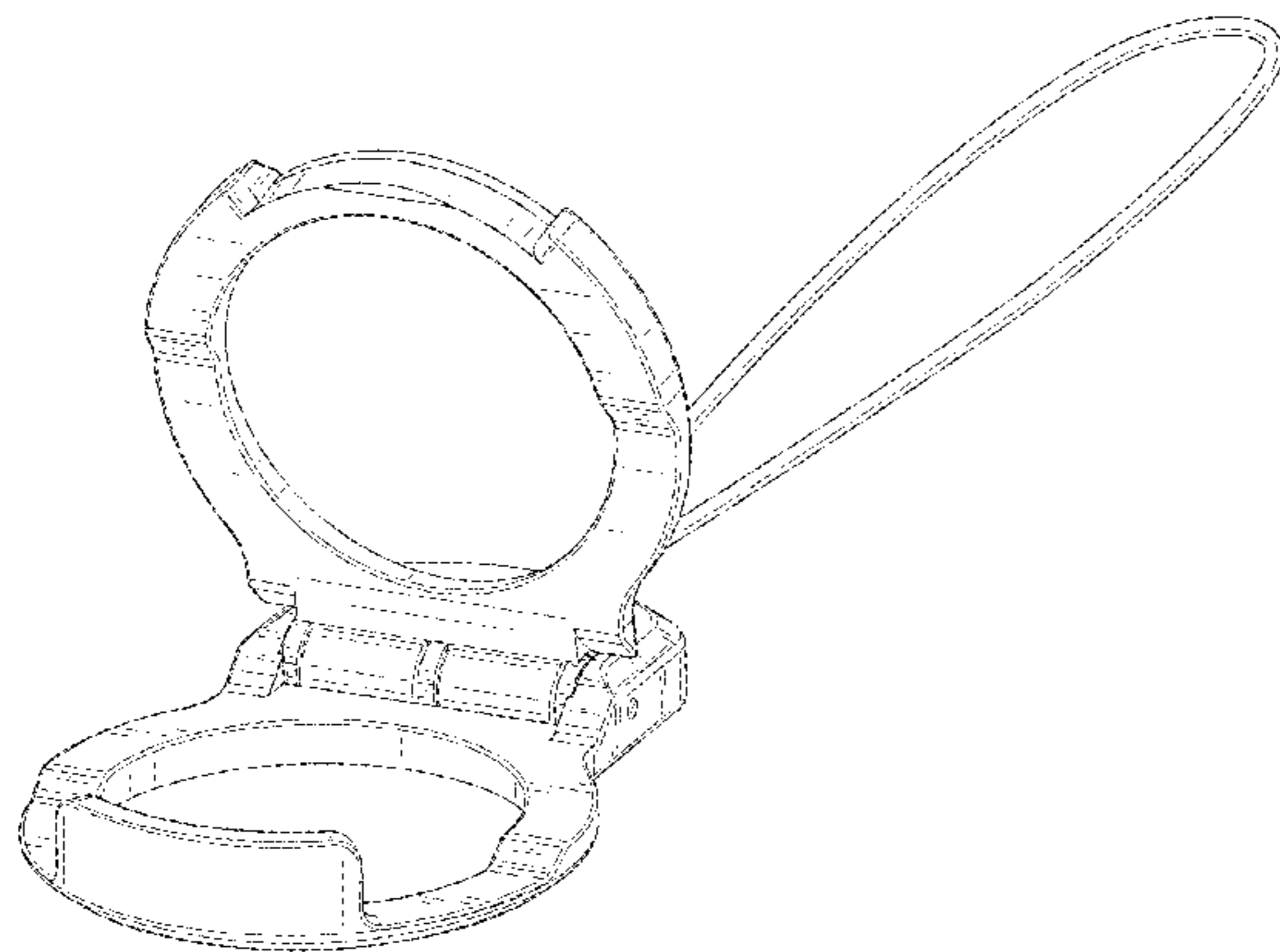


FIG. 25 is a top plan view thereof;
 FIG. 26 is a bottom plan view thereof;
 FIG. 27 is a front elevation view thereof;
 FIG. 28 is a rear elevation view thereof;
 FIG. 29 is a side elevation view thereof; and,
 FIG. 30 is an opposite side elevation view thereof.
 The dashed broken lines illustrating an electronic device in
 FIGS. 8-14 and FIGS. 24-30 depict environmental subject
 matter that forms no part of the claimed design.

1 Claim, 30 Drawing Sheets

(58) **Field of Classification Search**

CPC . A45C 11/00; A45C 2011/002; H04B 1/3888;
 H04M 1/04; H04M 1/06; H04M 1/6075;
 F16M 13/02

See application file for complete search history.

(56) **References Cited**

U.S. PATENT DOCUMENTS

D482,521 S * 11/2003 Taylor D3/218
 D510,358 S * 10/2005 Ezure D14/447
 7,354,304 B2 * 4/2008 Livingston A45F 5/02
 439/501
 D603,840 S * 11/2009 Lee D14/239
 D608,541 S * 1/2010 Myers D3/215
 D616,642 S * 6/2010 Kim D3/218
 8,950,715 B2 * 2/2015 Chiu F16M 13/022
 248/205.8
 9,247,787 B2 * 2/2016 Dering A44B 11/25
 D752,054 S * 3/2016 Baumann D14/447
 D765,662 S * 9/2016 Kang D14/251
 D768,635 S * 10/2016 Due D14/432
 9,629,447 B1 * 4/2017 Martel A45F 5/004
 D817,947 S * 5/2018 Toussi D3/218
 D855,048 S * 7/2019 Kim D14/253
 D857,688 S * 8/2019 Ren D14/253
 D862,453 S * 10/2019 Liang D14/253
 D864,188 S * 10/2019 Che D14/253
 D866,546 S * 11/2019 Stillwell D14/251

D876,828 S * 3/2020 Feng D3/218
 10,581,480 B1 * 3/2020 Kim A45F 5/00
 D885,376 S * 5/2020 He D3/218
 D904,386 S * 12/2020 Luo D3/218
 D907,025 S * 1/2021 Corraliza D14/253
 10,938,433 B2 * 3/2021 Yim A45F 5/00
 D931,847 S * 9/2021 Min D14/253
 11,265,035 B1 * 3/2022 Zhang H04M 1/04
 D954,039 S * 6/2022 Liu D14/253
 D960,146 S * 8/2022 Song D14/253
 D965,580 S * 10/2022 Ma D3/218
 D965,581 S * 10/2022 Ma D3/218
 D965,582 S * 10/2022 Ma D3/218
 D966,253 S * 10/2022 Wu D14/251
 D966,255 S * 10/2022 Zhong D3/218
 D971,204 S * 11/2022 Wang D3/218
 D974,346 S * 1/2023 Xie D14/251
 2002/0166212 A1 * 11/2002 Pratl H04B 1/3833
 24/304
 2012/0275025 A1 11/2012 Parrill
 2015/0257288 A1 * 9/2015 Livernois H04M 1/04
 248/346.06
 2016/0353867 A1 * 12/2016 Due A45F 5/10
 2018/0220782 A1 * 8/2018 Mody A45F 5/00

OTHER PUBLICATIONS

Cobee Cell Phone RingStraps, Aug. 25, 2022, Amazon.com, retrieved
 Dec. 13, 2022. < [https://www.amazon.com/Cobee-Straps-Holders-Kickstand-Lanyard/dp/B0BBTJ3MWY/ref=sr_1_2?](https://www.amazon.com/Cobee-Straps-Holders-Kickstand-Lanyard/dp/B0BBTJ3MWY/ref=sr_1_2?>) > (Year: 2022).
 * Finger Ring Strap Kickstand, May 26, 2017, Amazon.com, retrieved
 Dec. 14, 2022. < [https://www.amazon.com/Cellphone-Holder-MONCA-kickstand-Universal/dp/B072LXX5M9/ref=sr_1_13?](https://www.amazon.com/Cellphone-Holder-MONCA-kickstand-Universal/dp/B072LXX5M9/ref=sr_1_13?>) > (Year:
 2017).
 * First Notification for Making Rectification dated Feb. 3, 2021 for
 Chinese Design Application No. 2020305474299 filed Sep. 15,
 2020.
 “E-Tree Crossbody Lanyard Case for iPhone SE 2020/iPhone
 7/iPhone 8 with Kickstand, Shockproof Dual Layered, Anti-Lost
 Detachable Necklace Strap for Kids and Outdoors, etc-Biack”, Sep.
 16, 2021, Amazon, [https://www.amazon.com/Tree-Crossbody-Detachable-Kickstand-Shockproof/dp/B07RFGRNM4/ref=sr_1_9?](https://www.amazon.com/Tree-Crossbody-Detachable-Kickstand-Shockproof/dp/B07RFGRNM4/ref=sr_1_9?dchild=1&keywords=iphone+case+lanyard&qid=1629132943&sr=8-9)
 dchild=1&keywords=iphone+case+lanyard&qid=1629132943&sr=
 8-9 (Year: 2021).

* cited by examiner

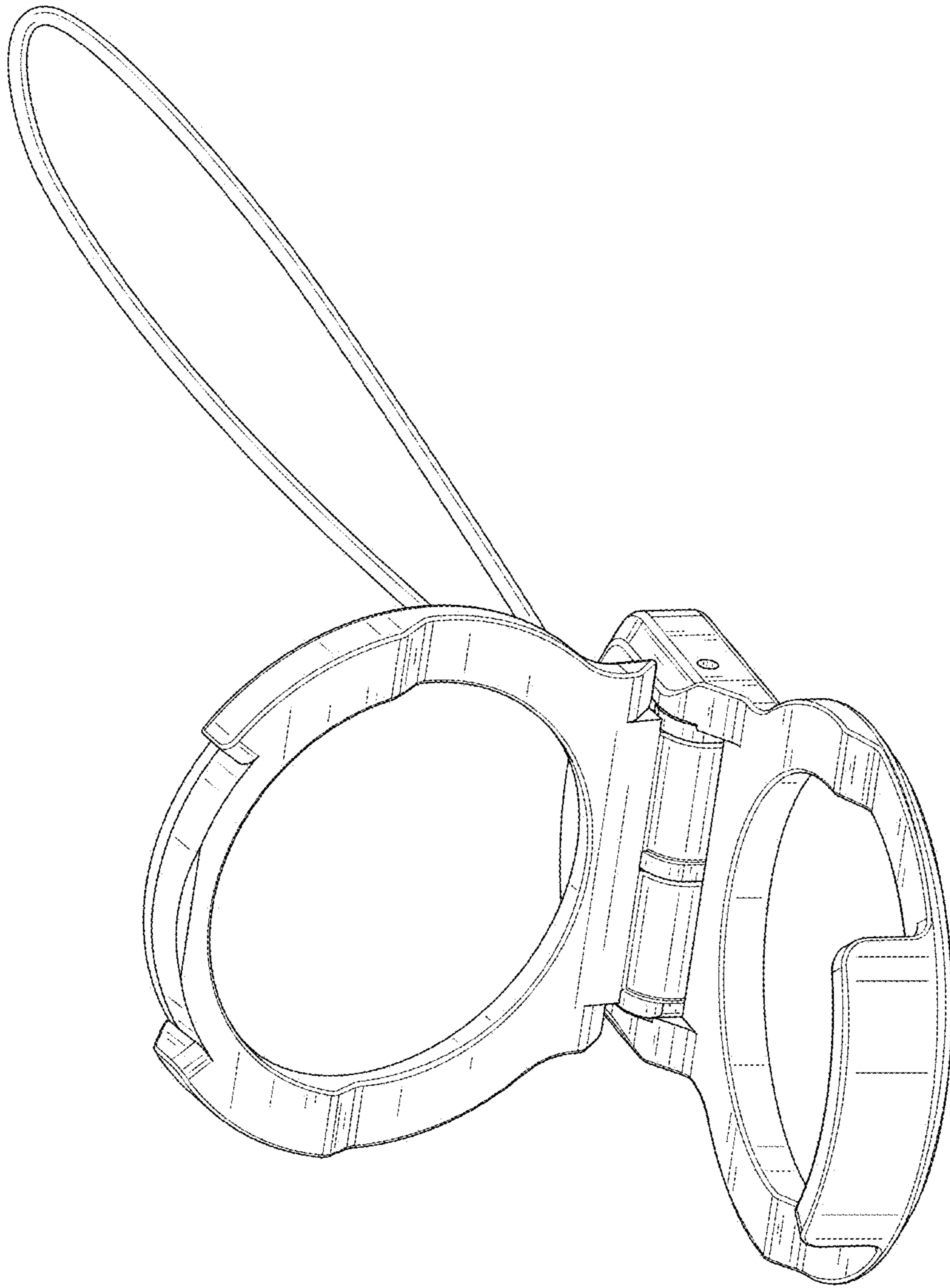


FIG. 1

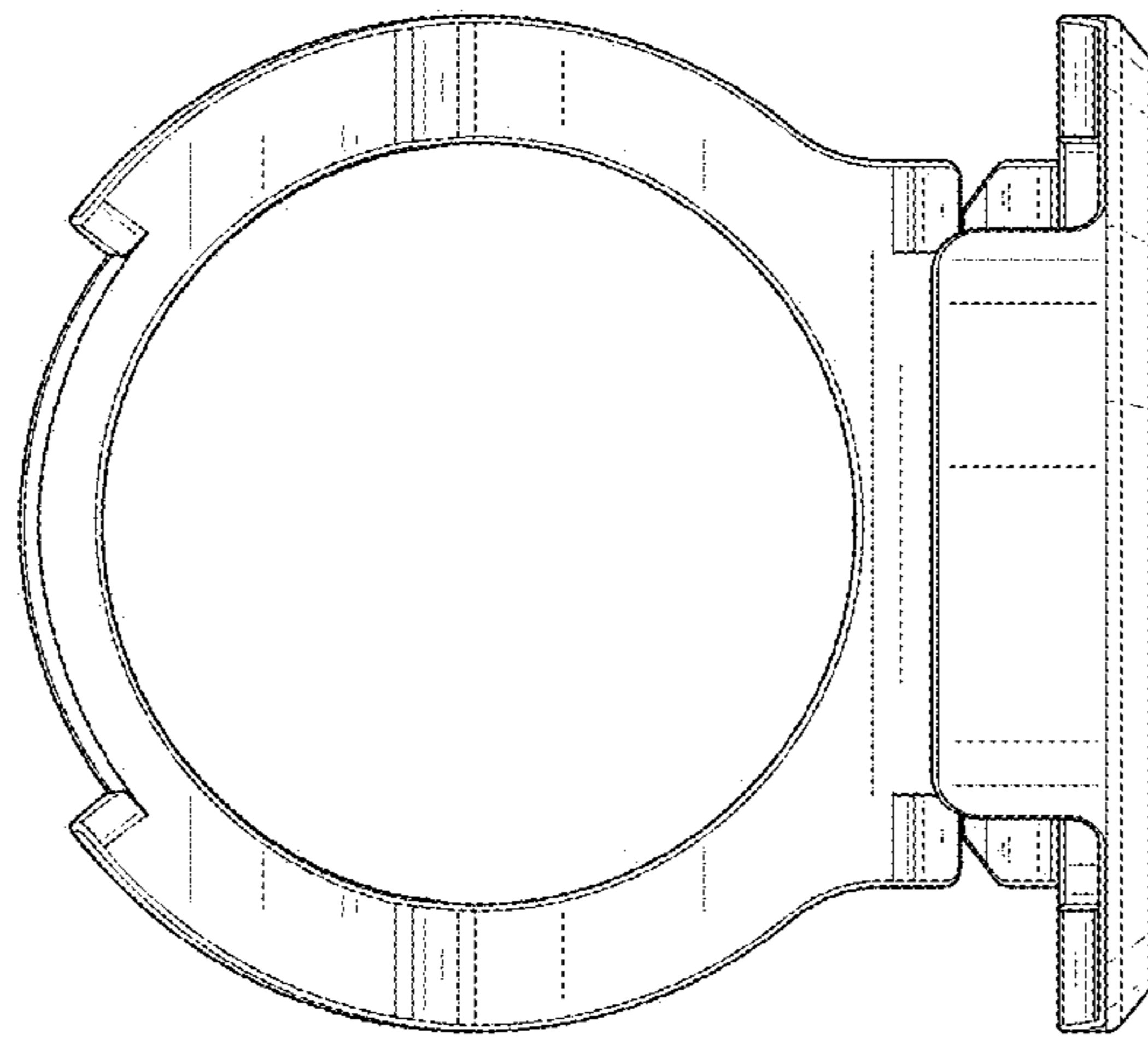


FIG. 2

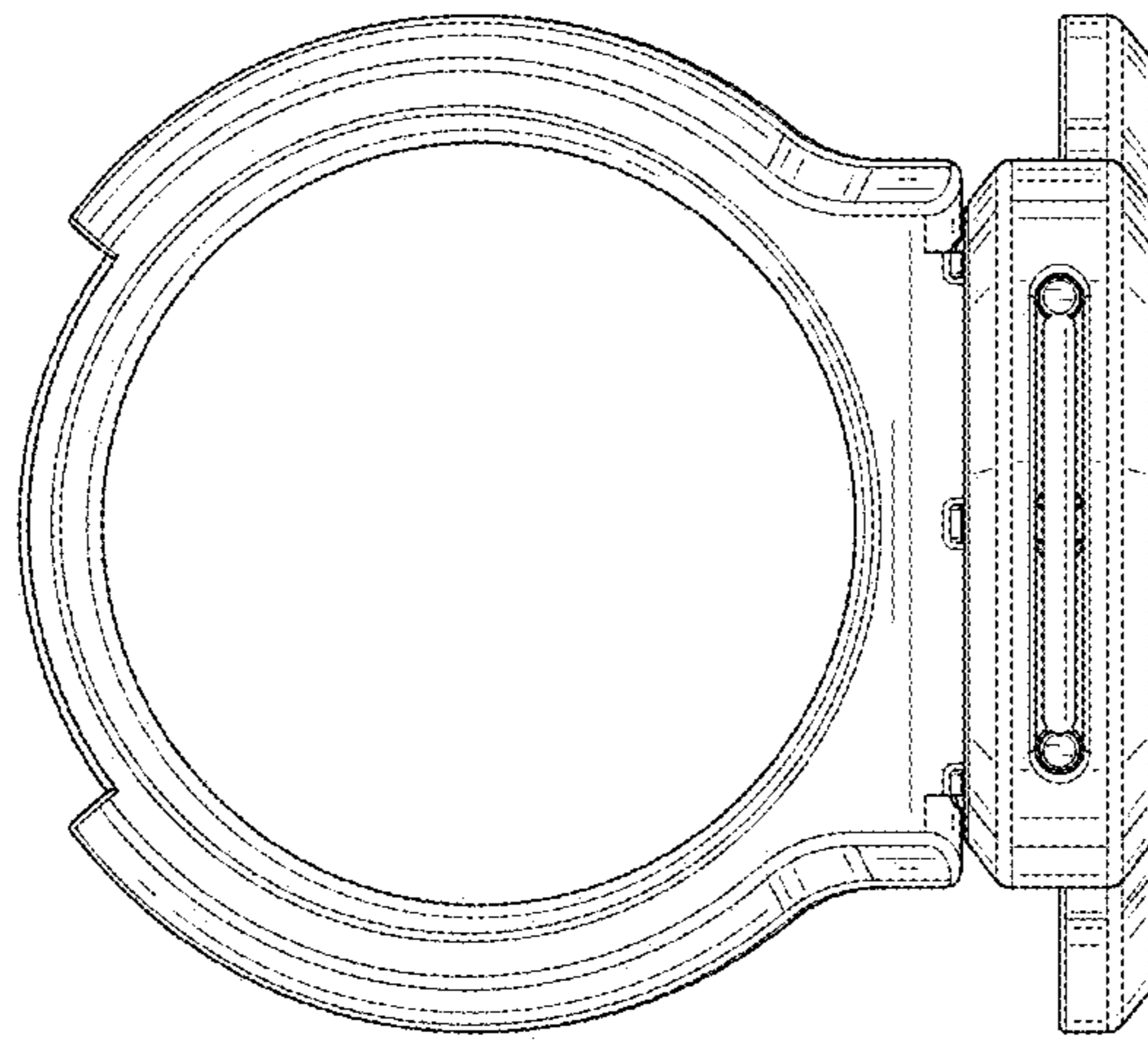


FIG. 3

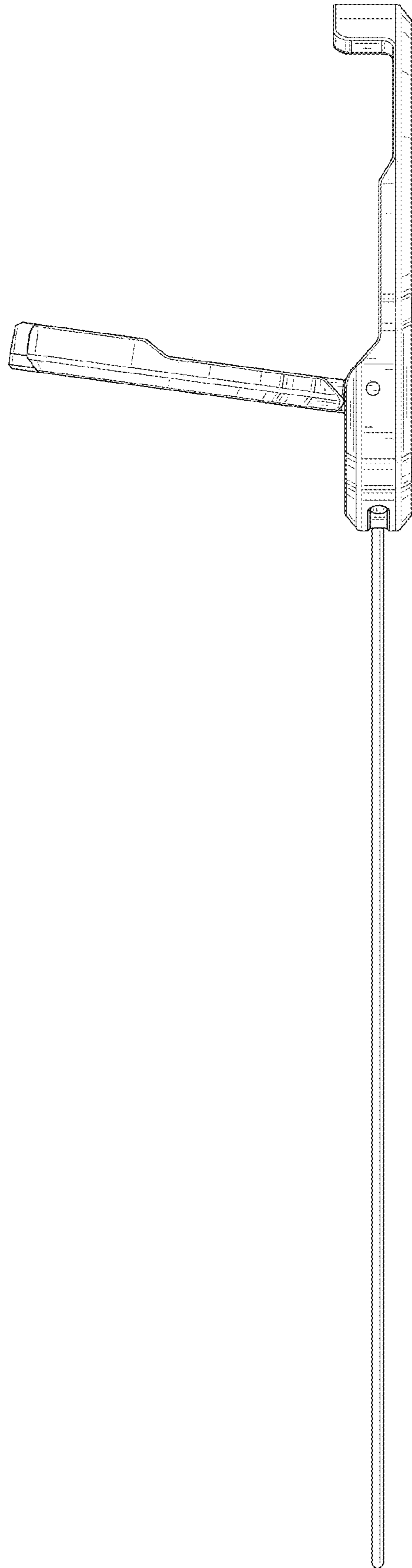


FIG. 4

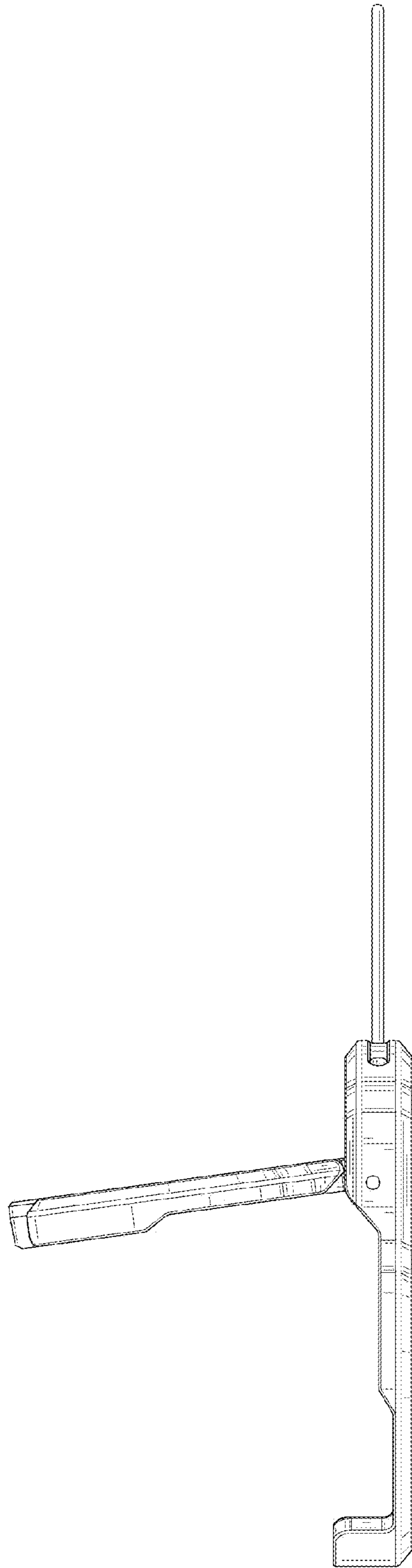


FIG. 5

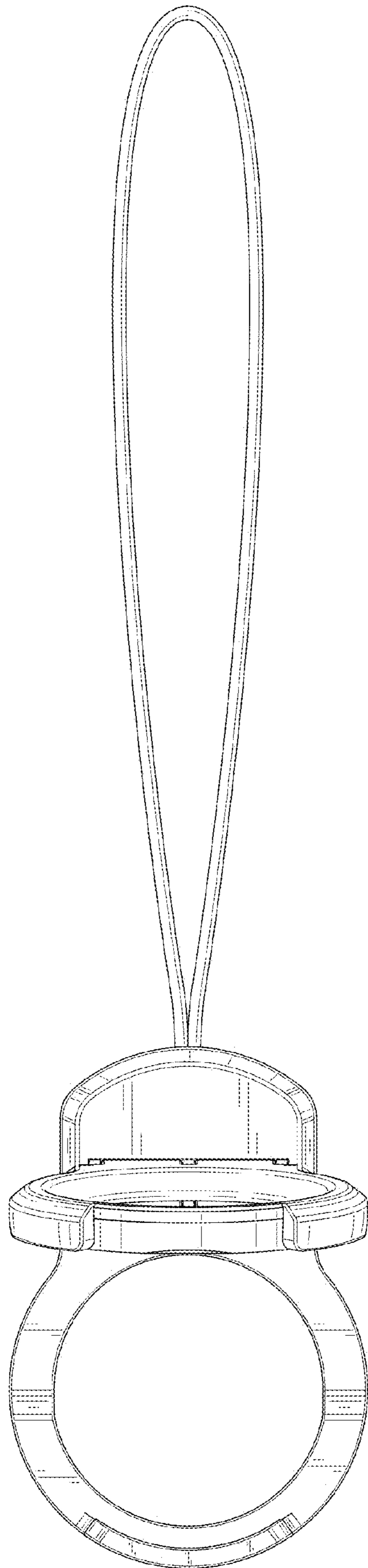


FIG. 6

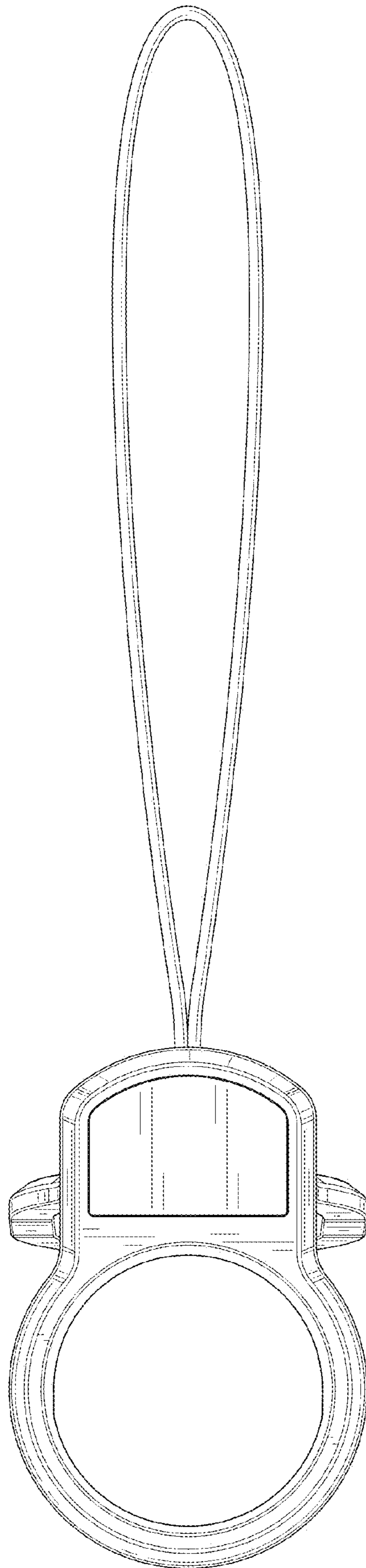


FIG. 7

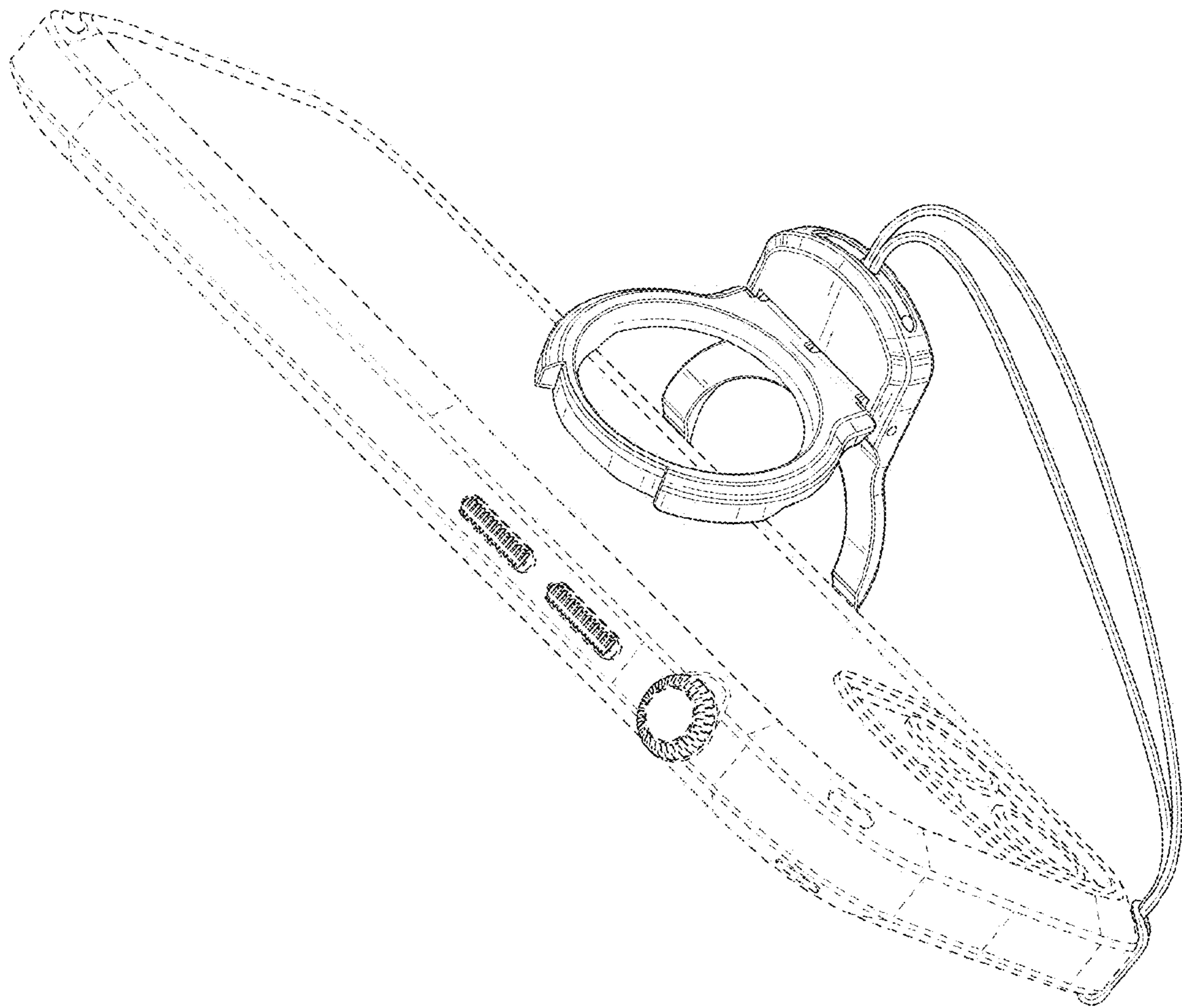


FIG. 8

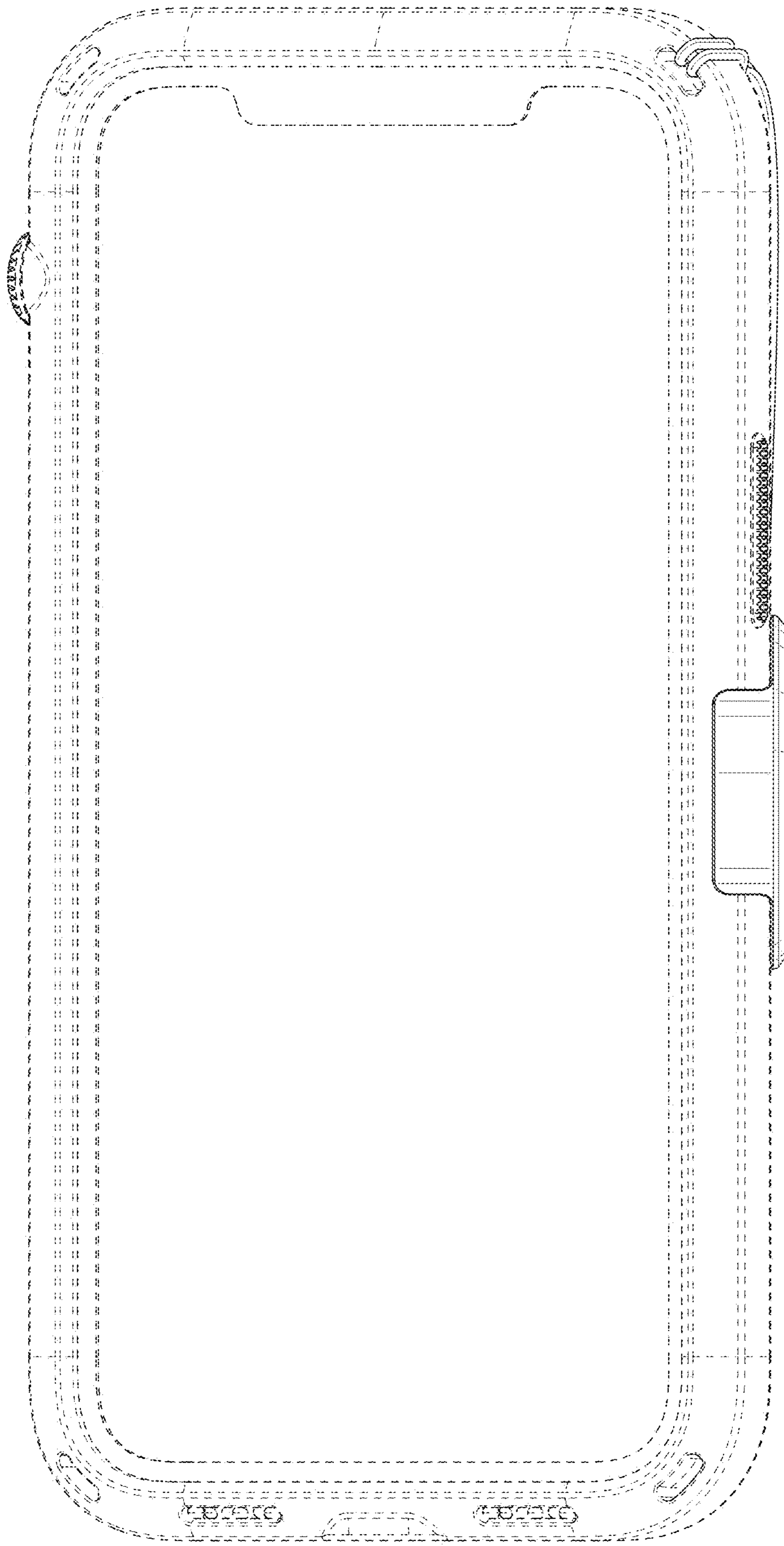


FIG. 9

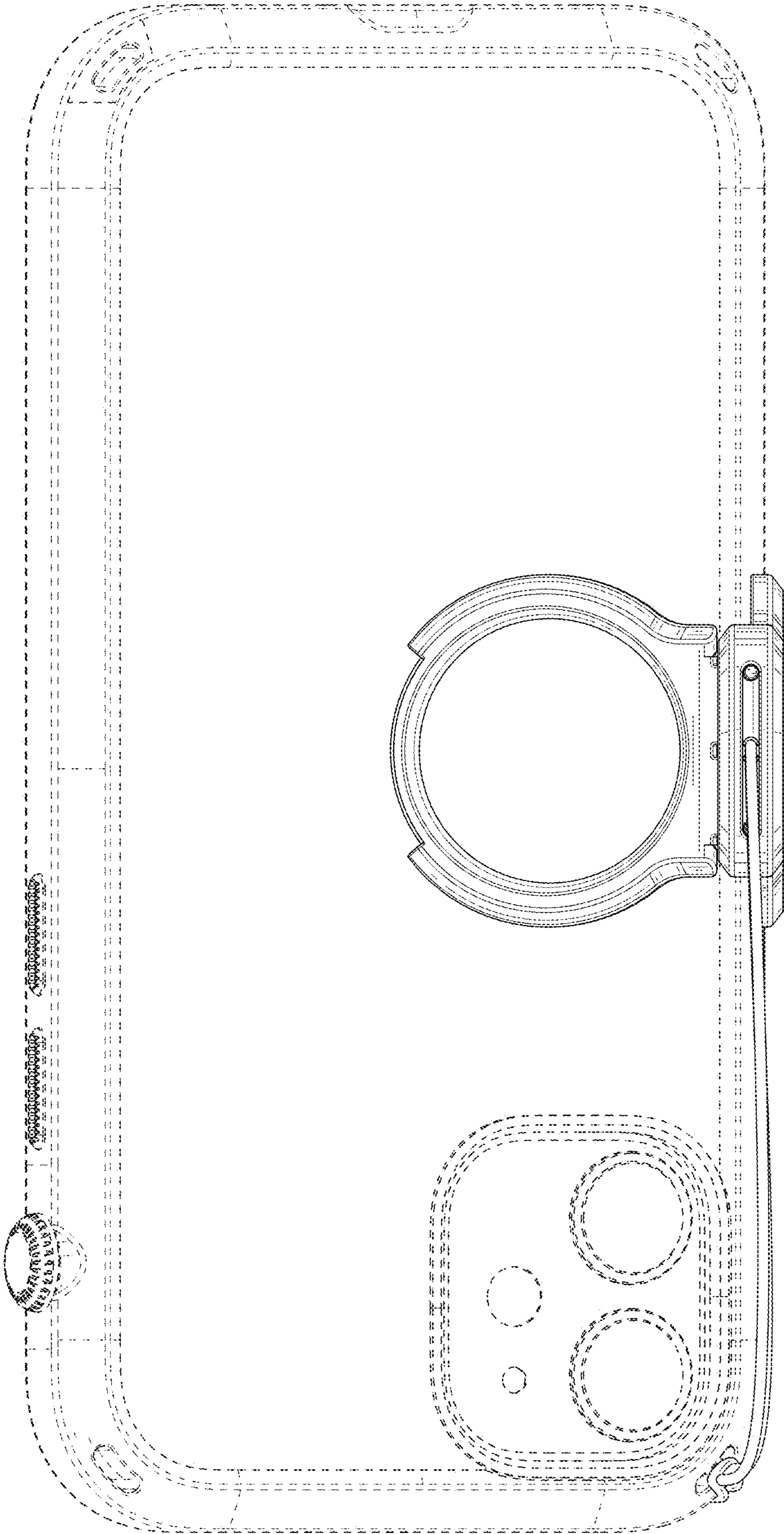


FIG. 10

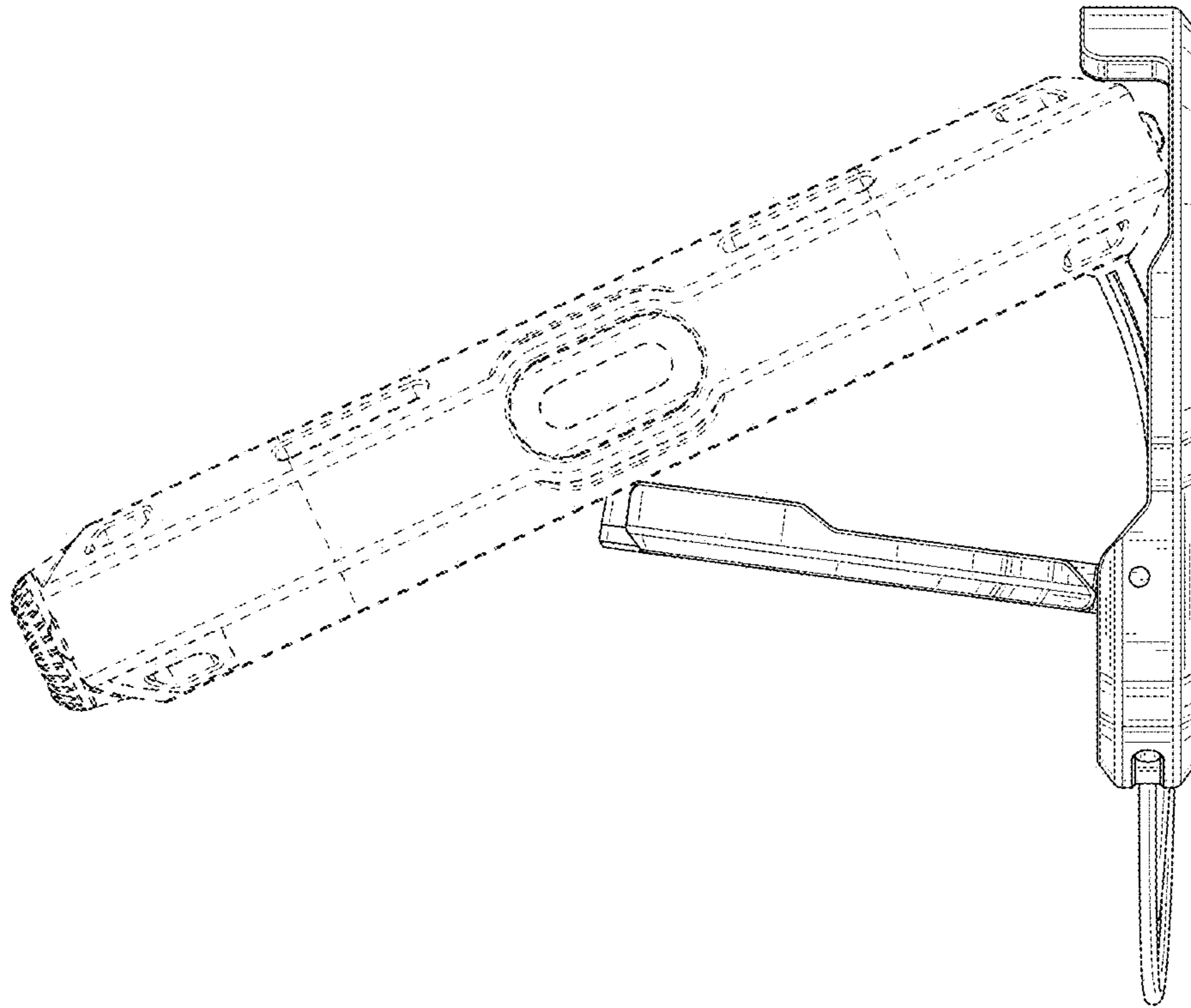


FIG. 11

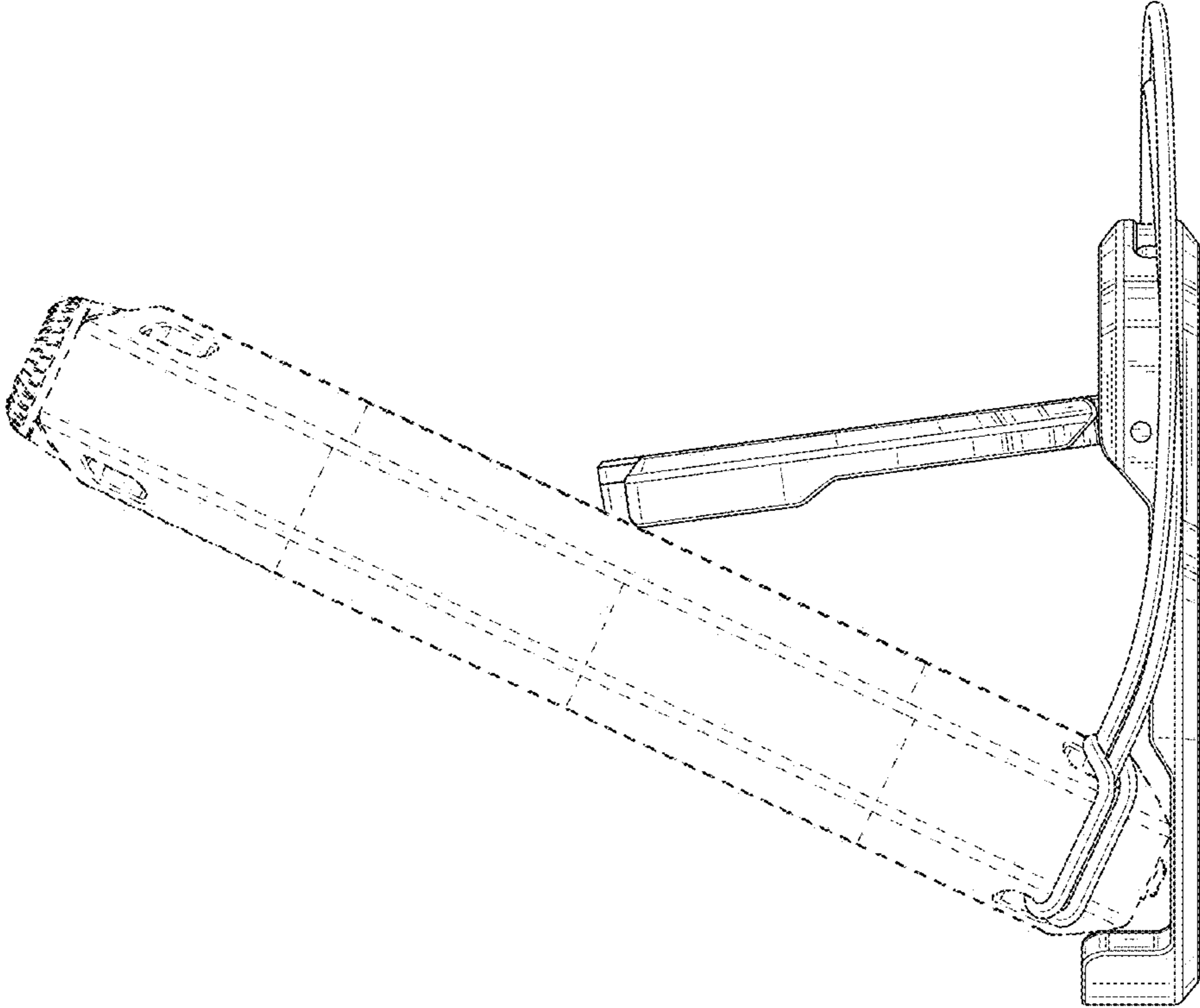


FIG. 12

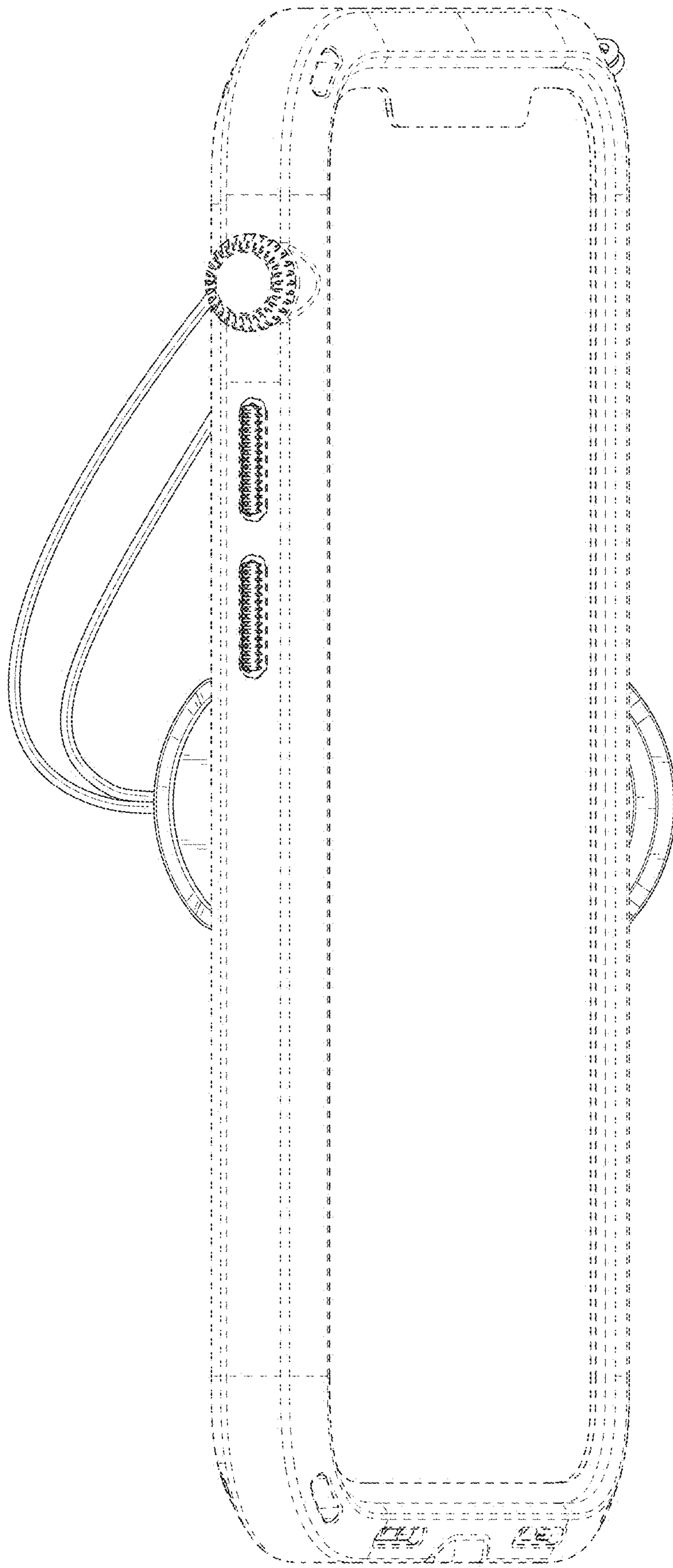


FIG. 13

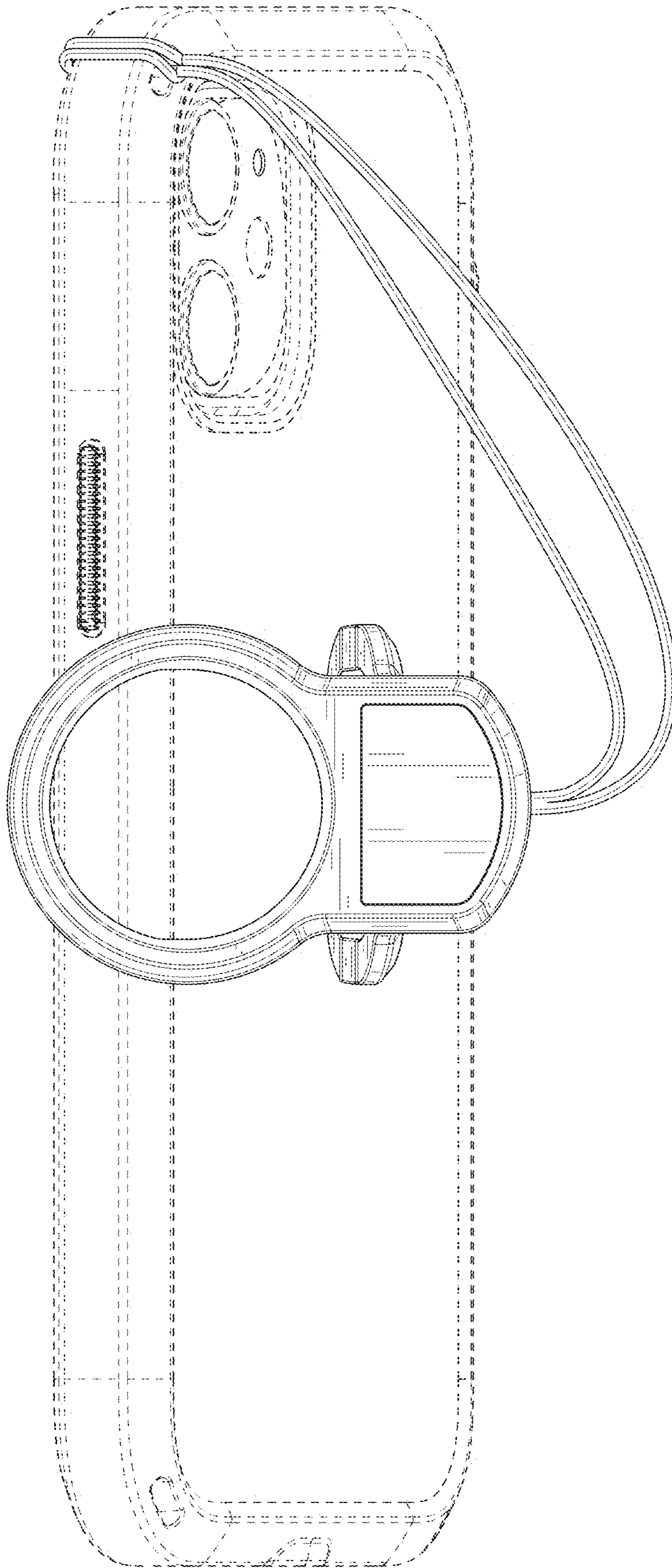


FIG. 14

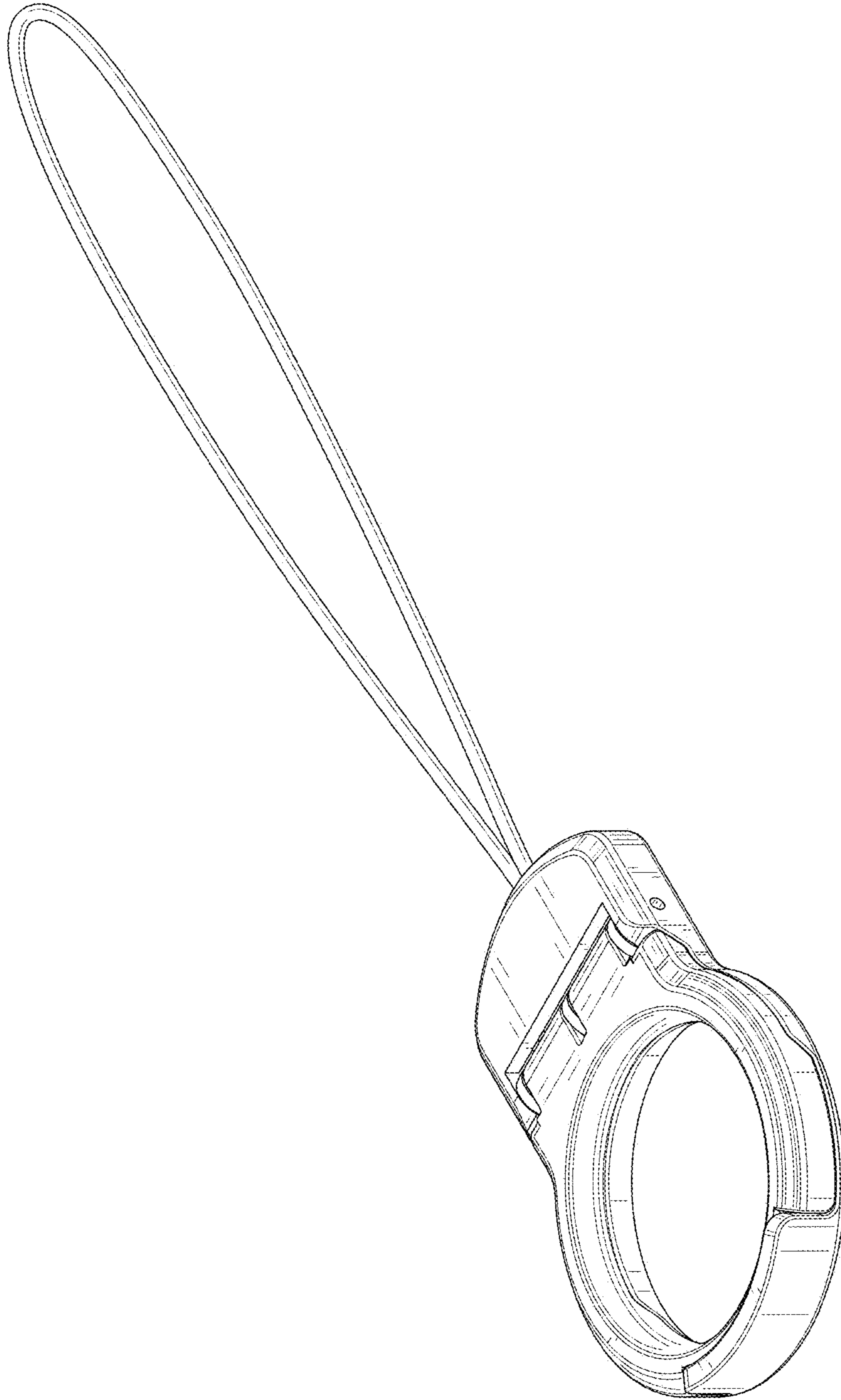


FIG. 15

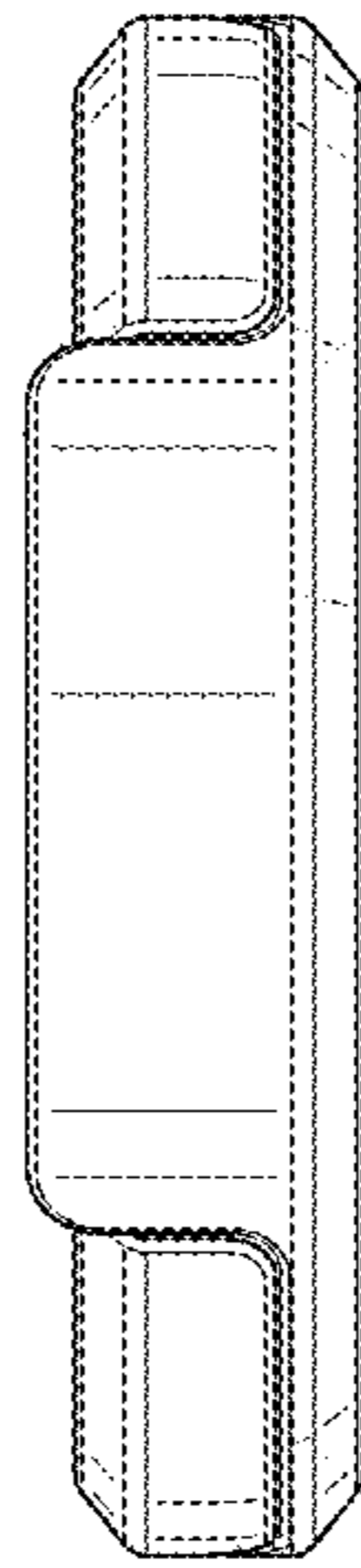


FIG. 16

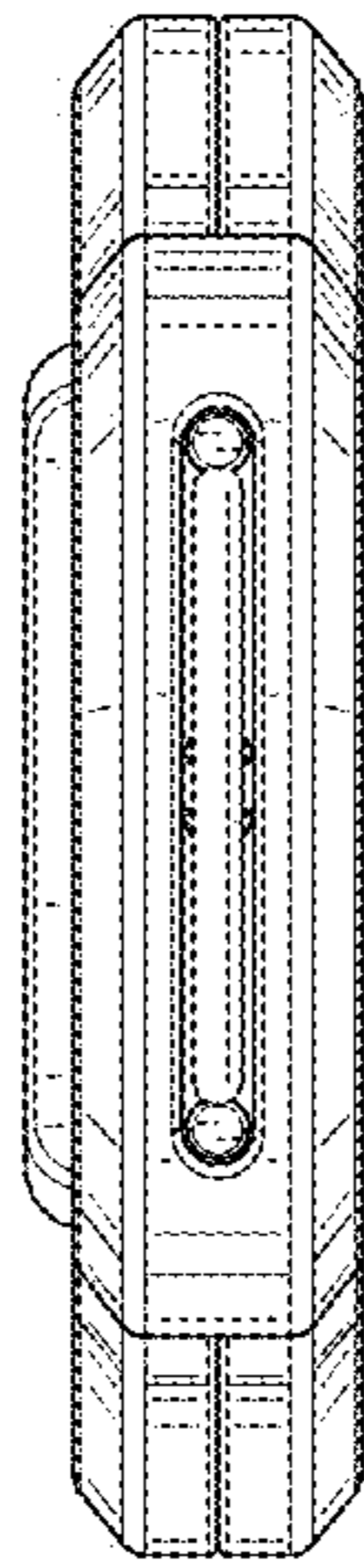


FIG. 17

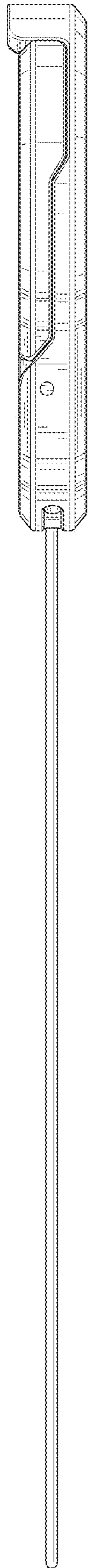


FIG. 18

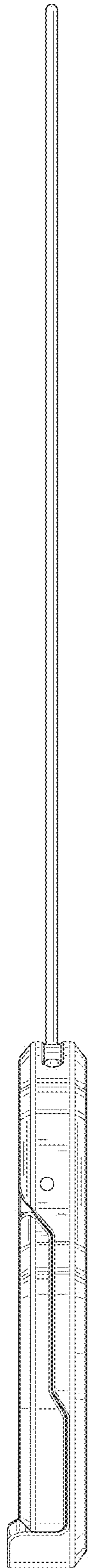


FIG. 19



FIG. 20



FIG. 21

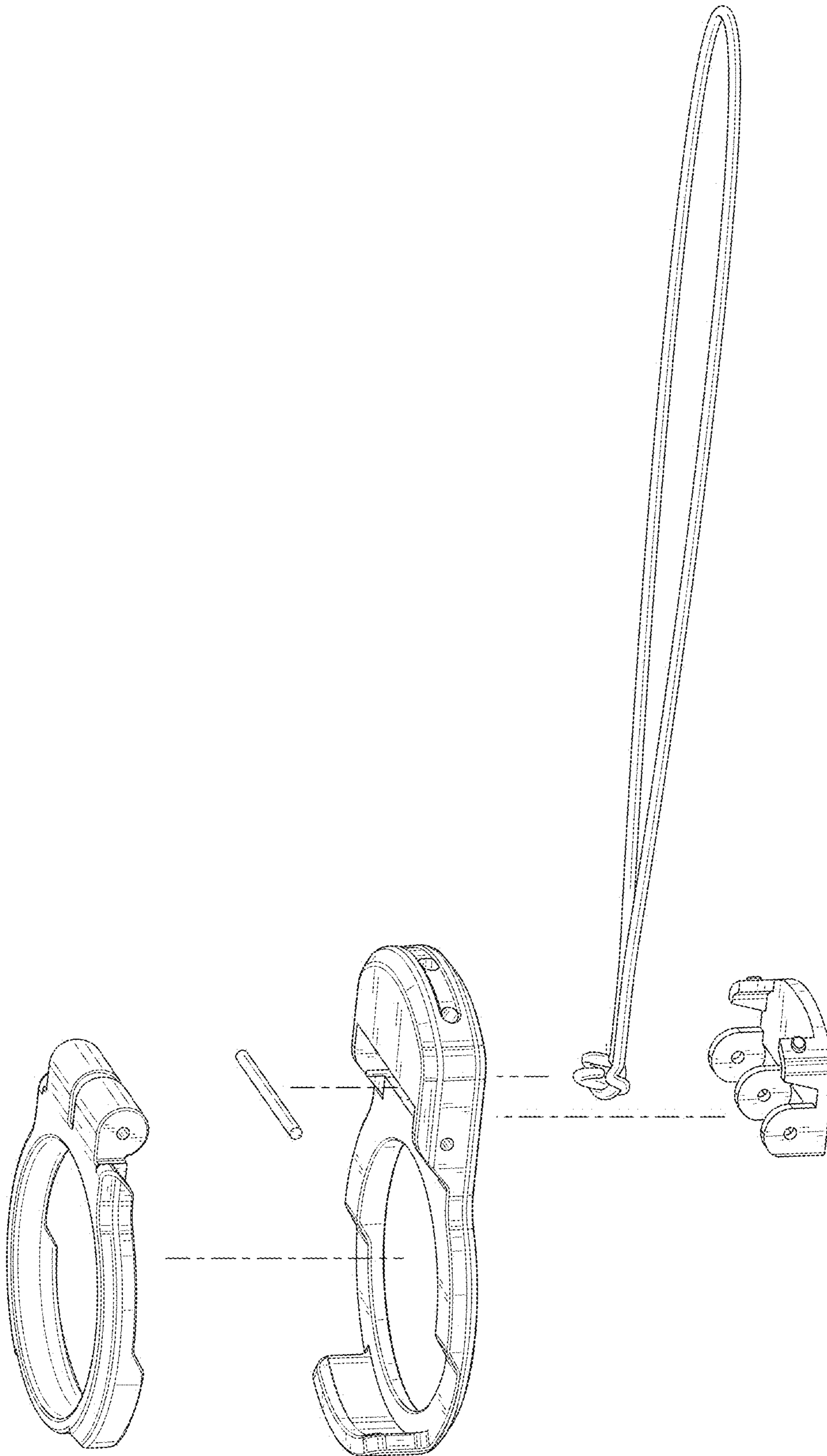


FIG. 22

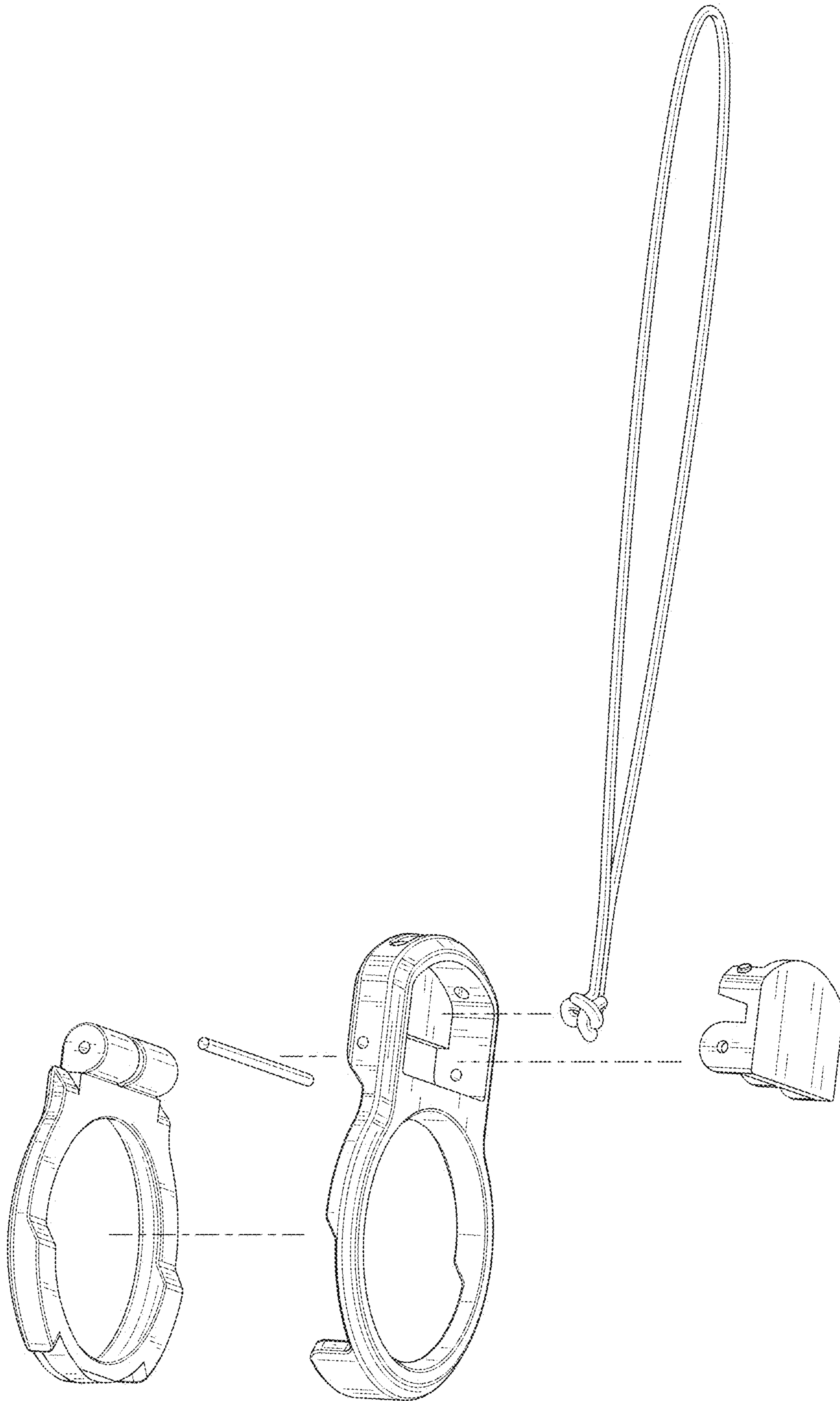


FIG. 23

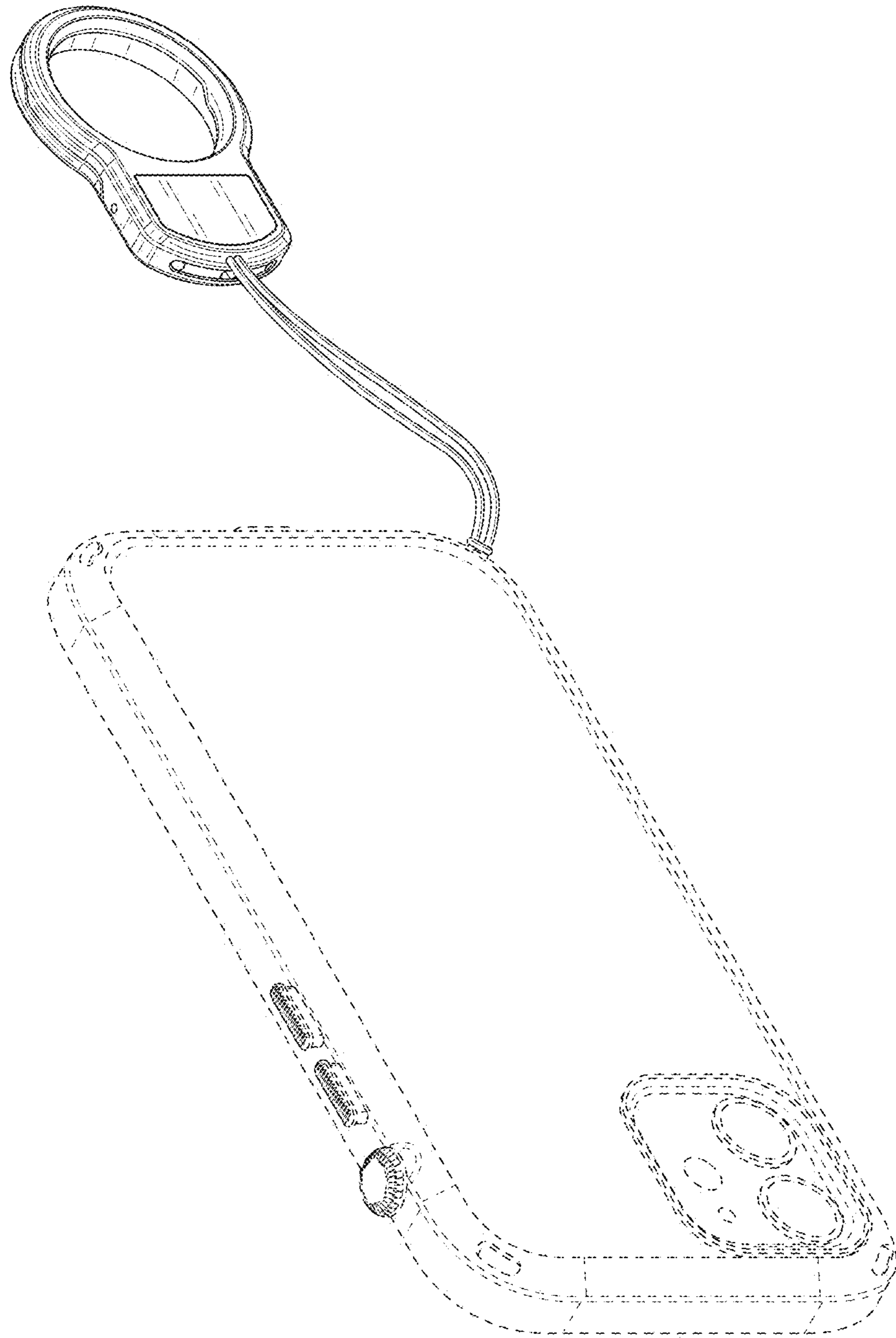


FIG. 24

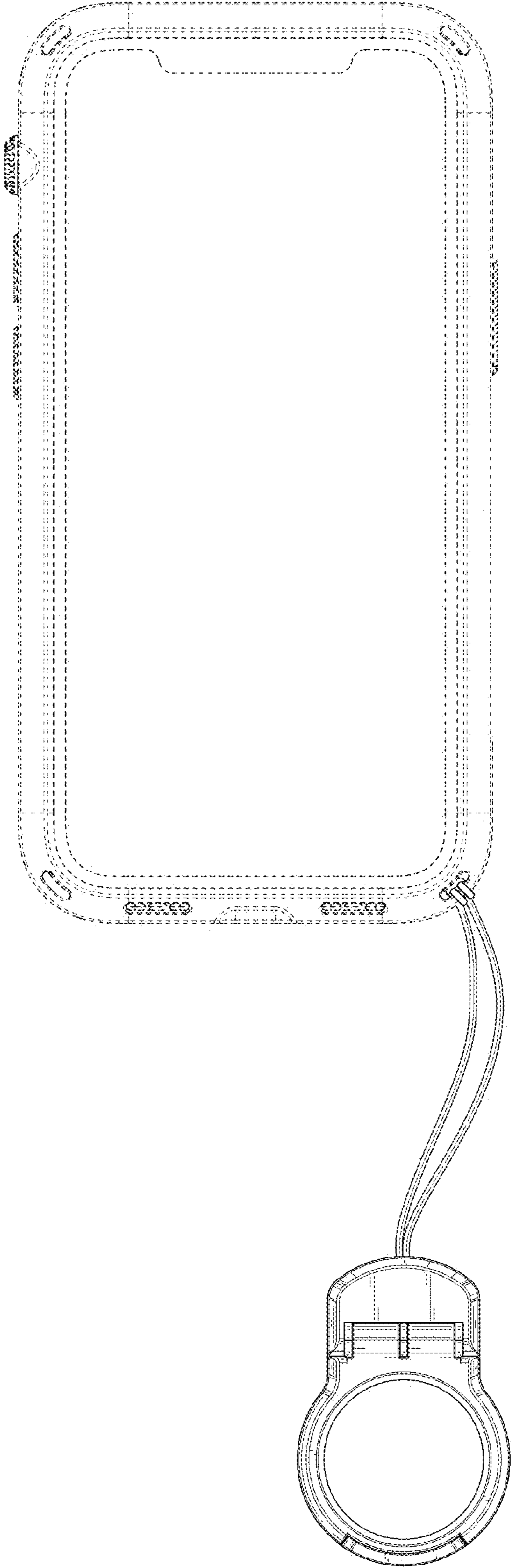


FIG. 25

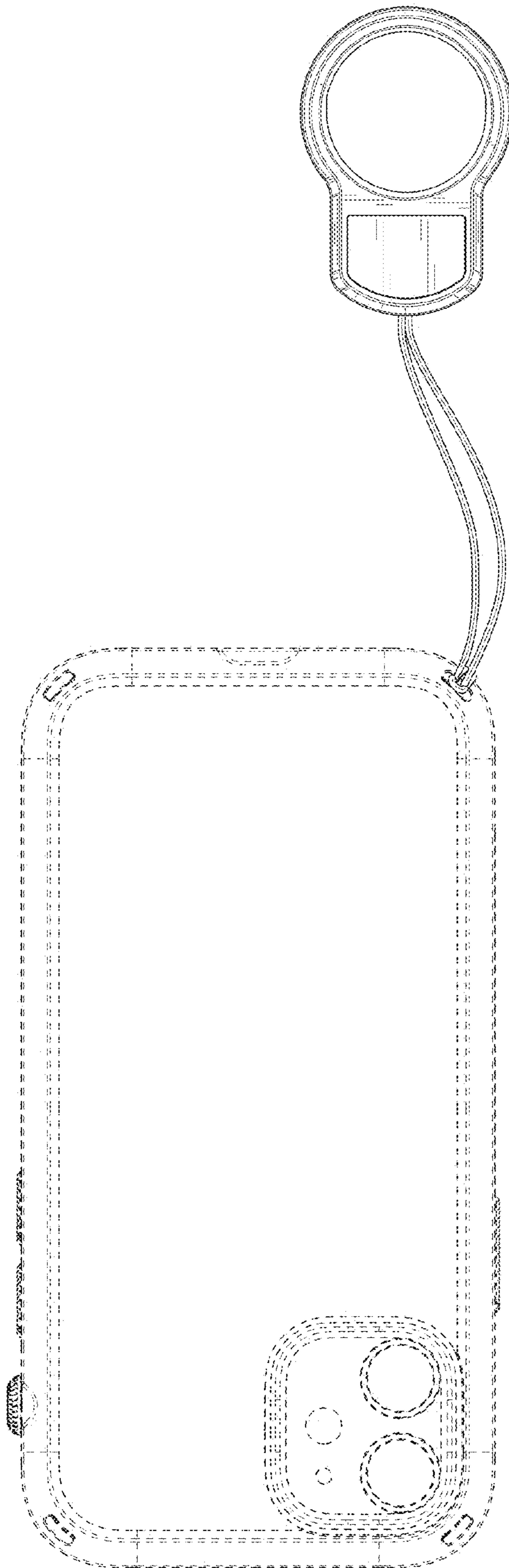


FIG. 26

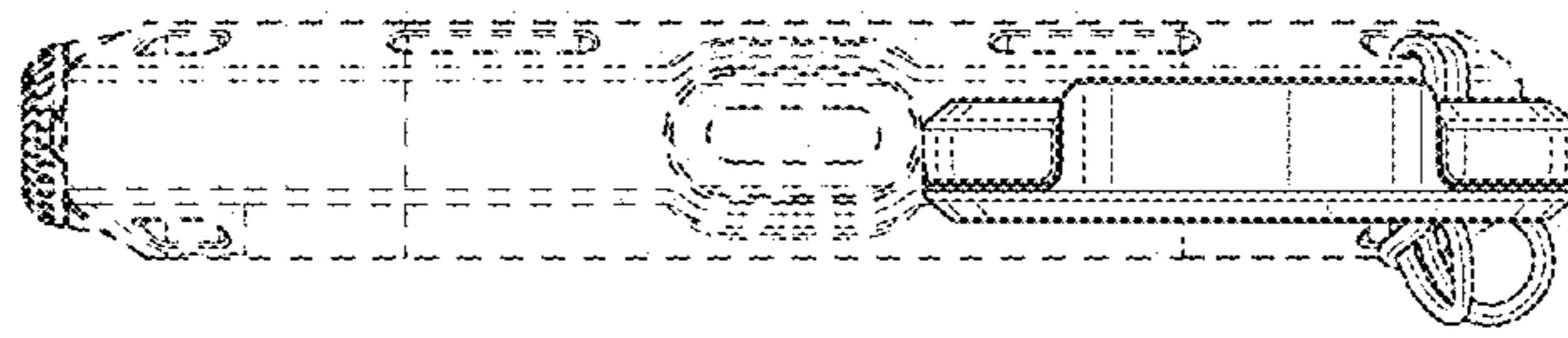


FIG. 27

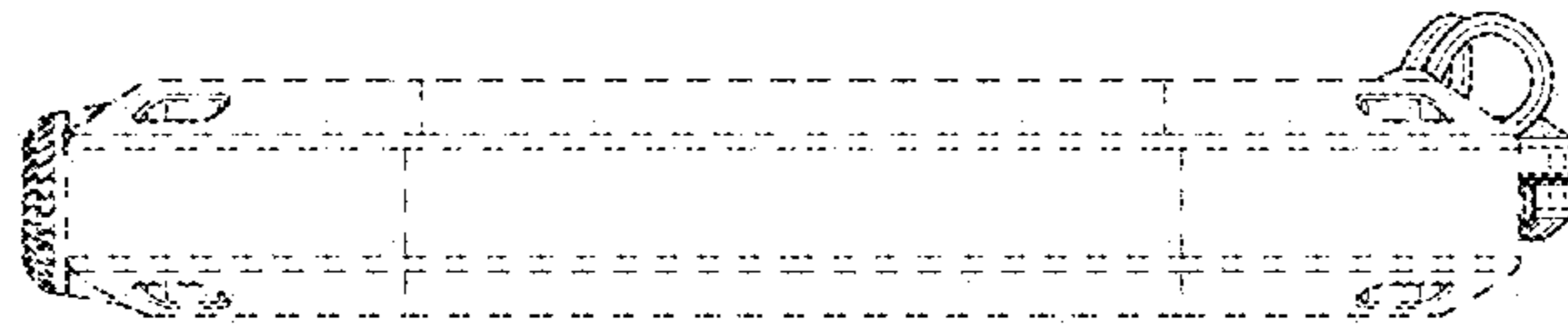


FIG. 28

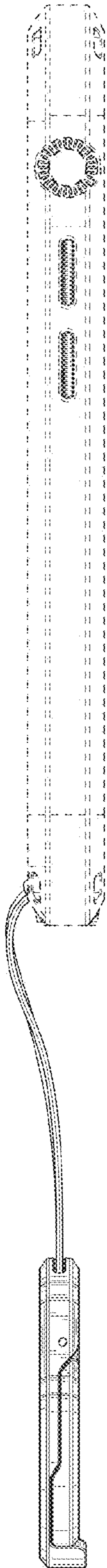


FIG. 29

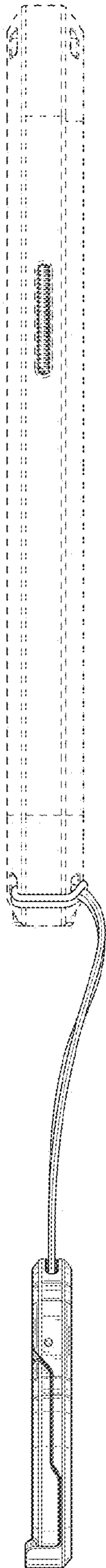


FIG. 30