



US00D984432S

(12) **United States Design Patent** (10) **Patent No.:** **US D984,432 S**
Lee (45) **Date of Patent:** **** Apr. 25, 2023**

(54) **ORNAMENT FOR MOUNTING ELECTRONIC DEVICE**

(71) Applicant: **Jae-Hoon Lee**, Seoul (KR)

(72) Inventor: **Jae-Hoon Lee**, Seoul (KR)

(**) Term: **15 Years**

(21) Appl. No.: **29/755,729**

(22) Filed: **Oct. 22, 2020**

(51) **LOC (14) Cl.** **14-03**

(52) **U.S. Cl.**
USPC **D14/253**

(58) **Field of Classification Search**
USPC D14/250, 251–253, 447, 440; D21/405
CPC ... G06F 1/1628; G06F 1/1626; A47B 23/044;
H04B 1/3888

See application file for complete search history.

(56) **References Cited**

U.S. PATENT DOCUMENTS

- 2,769,260 A * 11/1956 Fenwick F21V 33/00
362/23.18
- RE24,455 E * 4/1958 Trautvetter H04N 5/64
D14/126
- D268,199 S * 3/1983 Shimasaki D14/126
- D276,523 S * 11/1984 Ohshima D14/126
- D277,182 S * 1/1985 Matsuda D14/239
- D292,290 S * 10/1987 Zelkowitz D14/371
- D324,677 S * 3/1992 Gratton D14/126
- D342,483 S * 12/1993 Bergeron D14/336
- D369,795 S * 5/1996 Williams D14/129
- D396,229 S * 7/1998 Williams D14/129
- D415,487 S * 10/1999 Takami D14/126
- D425,050 S * 5/2000 Tanigawa D14/126
- D428,609 S * 7/2000 Williams D14/129
- D459,813 S * 7/2002 Ramsey, III D14/336
- D460,745 S * 7/2002 Kanatani D14/126
- D565,527 S * 4/2008 Riggs D14/129
- D620,906 S * 8/2010 Kim D14/126
- D622,684 S * 8/2010 Kim D14/126

(Continued)

FOREIGN PATENT DOCUMENTS

- GB 6188551 * 1/2022
- GB 6213283 * 6/2022
- GB 6213285 * 6/2022

OTHER PUBLICATIONS

Hudiemmm0B Phone Holder, Jun. 24, 2020 [online], retrieved Jan. 13, 2023, retrieved from the internet URL: < <https://www.amazon.com/hudiemmm0B-Portable-Universal-Desktop-Bracket/dp/B08BS36QD8?>> (Year: 2020).*

(Continued)

Primary Examiner — Janice Hallmark

Assistant Examiner — Rodolfo Castro, Jr.

(74) *Attorney, Agent, or Firm* — Paratus Law Group, PLLC

(57) **CLAIM**

The ornamental design for an ornament for mounting electronic device, as shown and described.

DESCRIPTION

FIG. 1 is a front, top, and left sides perspective view of an ornament for mounting electronic device, showing my new design;

FIG. 2 is a front view thereof;

FIG. 3 is a back view thereof;

FIG. 4 is a left-side view thereof;

FIG. 5 is a right-side view thereof;

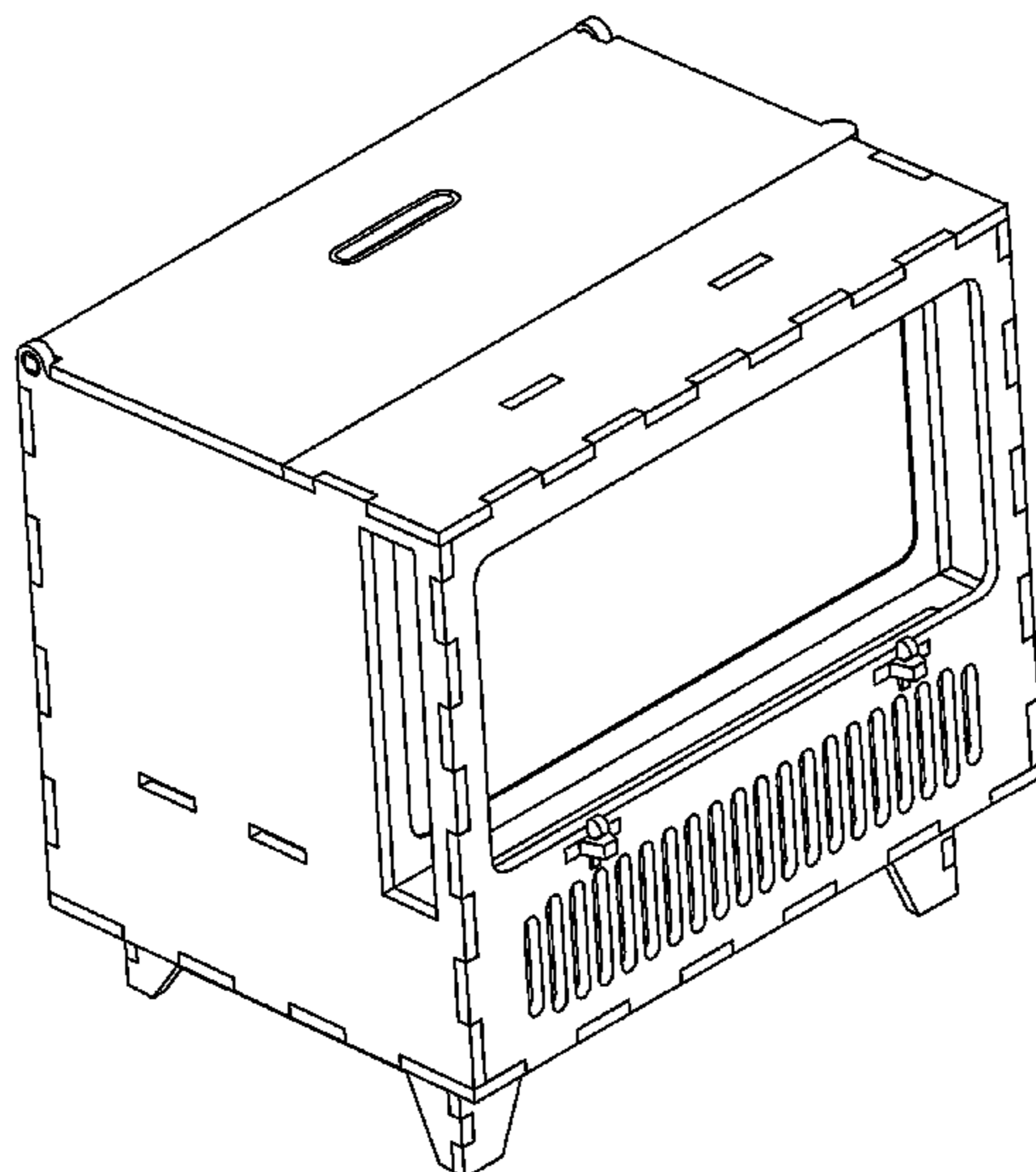
FIG. 6 is a top view thereof;

FIG. 7 is a bottom view thereof; and,

FIG. 8 is a front, top, and left sides perspective view thereof, in use.

The broken lines in FIG. 8 illustrate environmental subject matter and form no part of the claimed design.

1 Claim, 8 Drawing Sheets



(56)

References Cited

U.S. PATENT DOCUMENTS

D650,783 S * 12/2011 Ausfeld D14/374
D783,626 S * 4/2017 Kim D14/447
D896,815 S * 9/2020 Liu D14/125
D943,587 S * 2/2022 Robertson D14/440
D968,414 S * 11/2022 He D14/440
2020/0178683 A1 * 6/2020 O’Gara A47B 21/02

OTHER PUBLICATIONS

CQUUKOI Fun Cute TV Tissue Box Holder, Apr. 19, 2022 [online],
retrieved Jan. 13, 2023, retrieved from the internet URL:< [https://
www.amazon.com/dp/B09Y8C5V76/ref=sspa_dk_detail_6?](https://www.amazon.com/dp/B09Y8C5V76/ref=sspa_dk_detail_6?)> (Year:
2022).*

* cited by examiner

FIG. 1

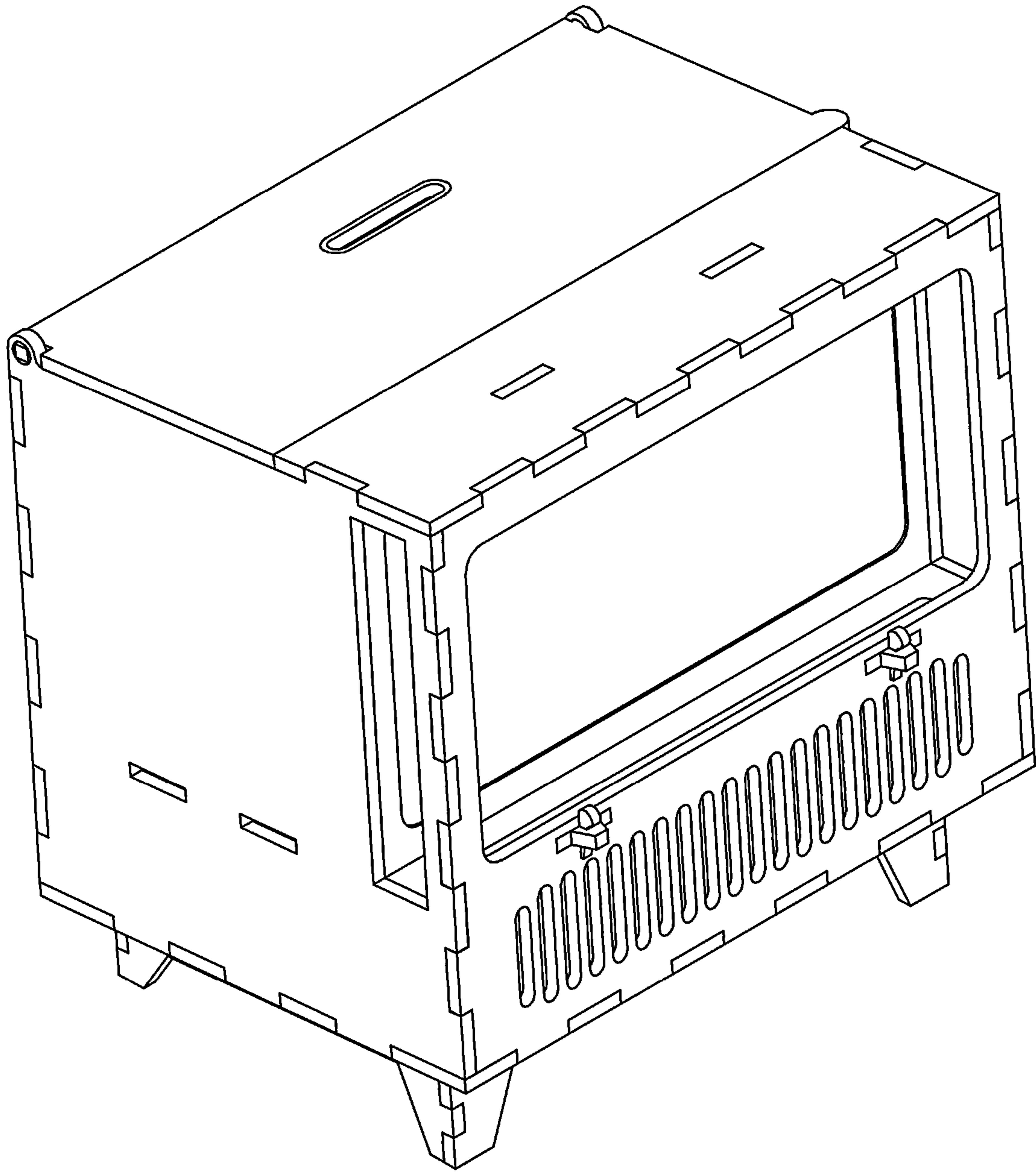


FIG. 2

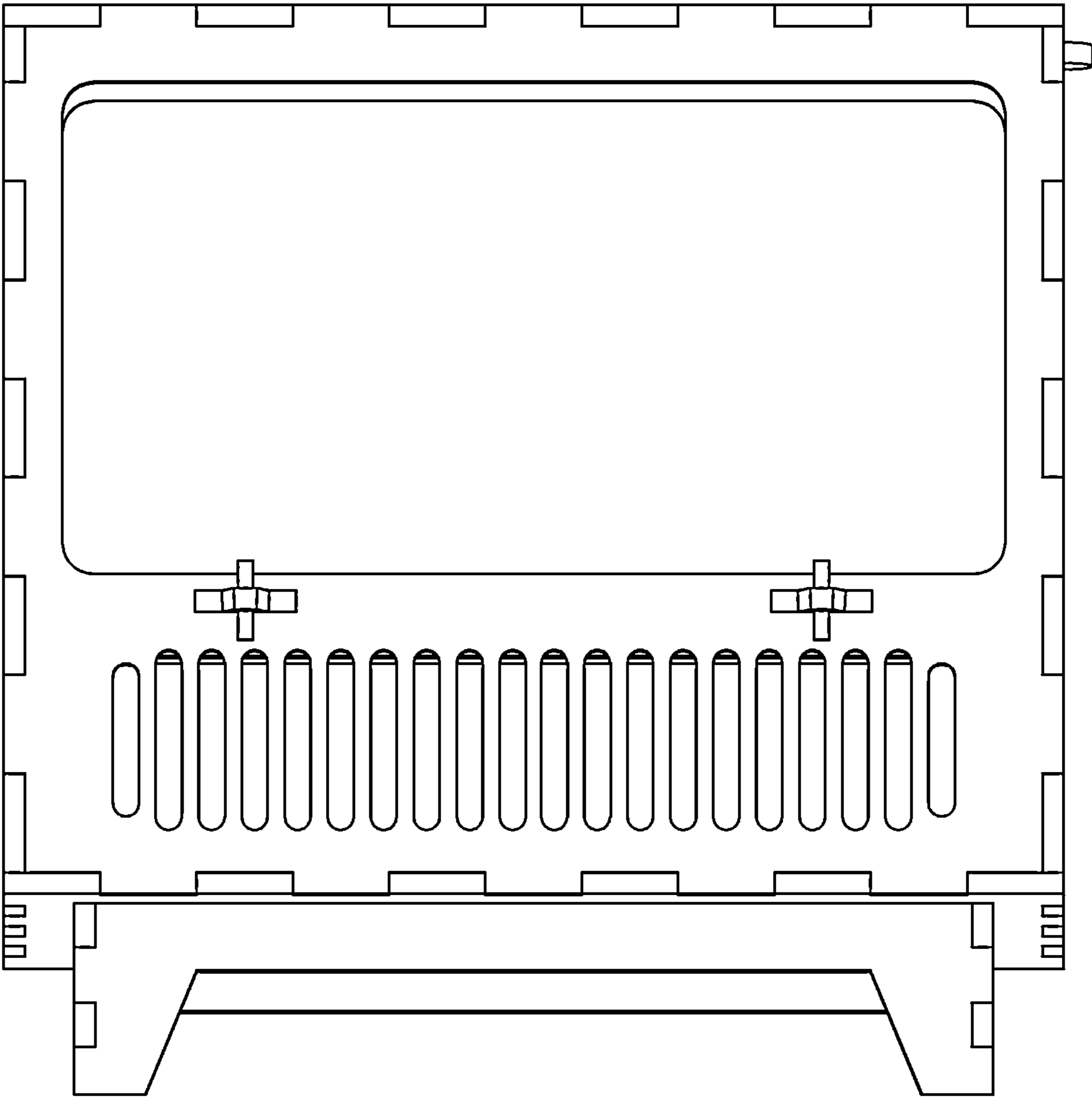


FIG. 3

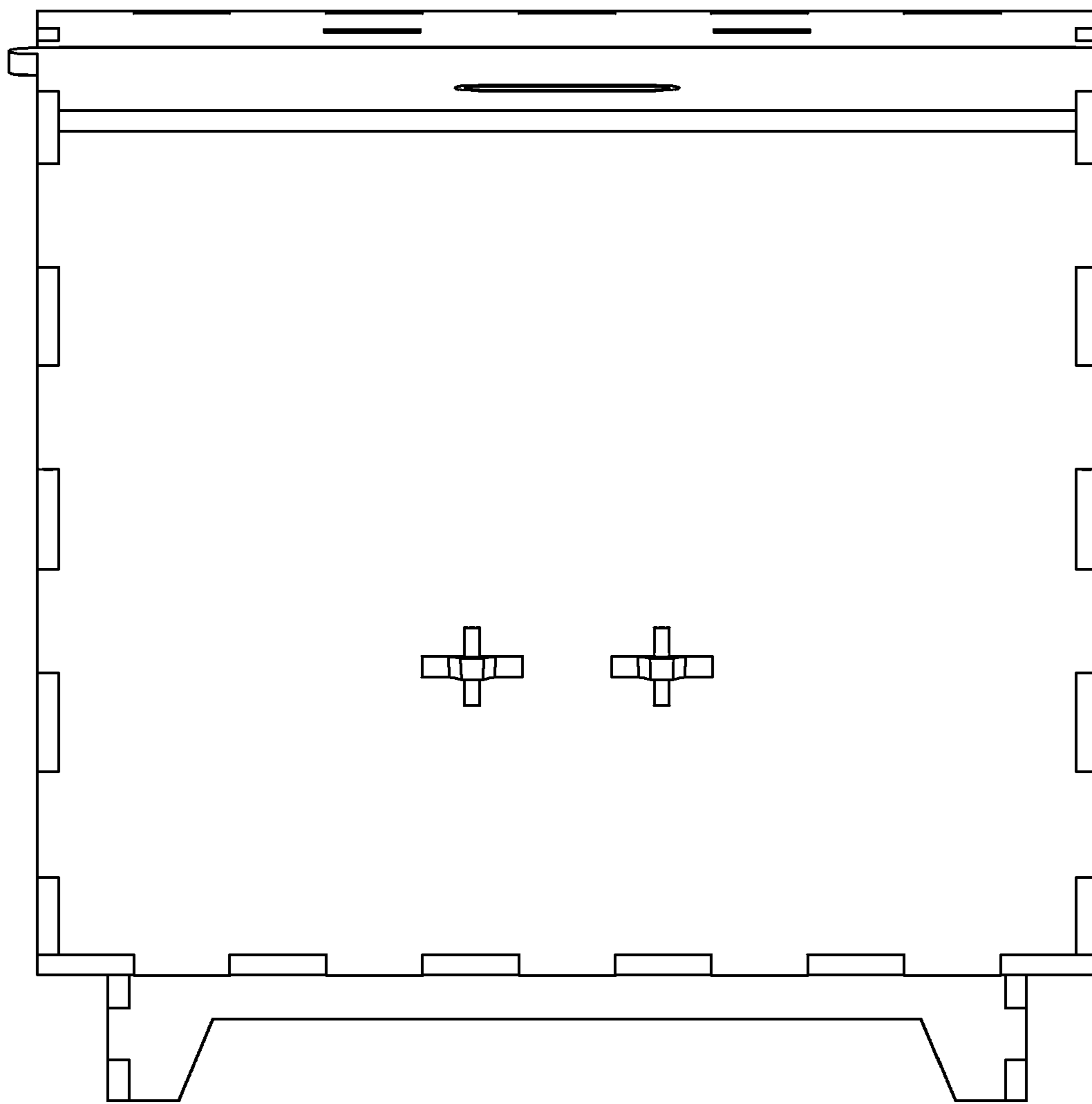


FIG. 4

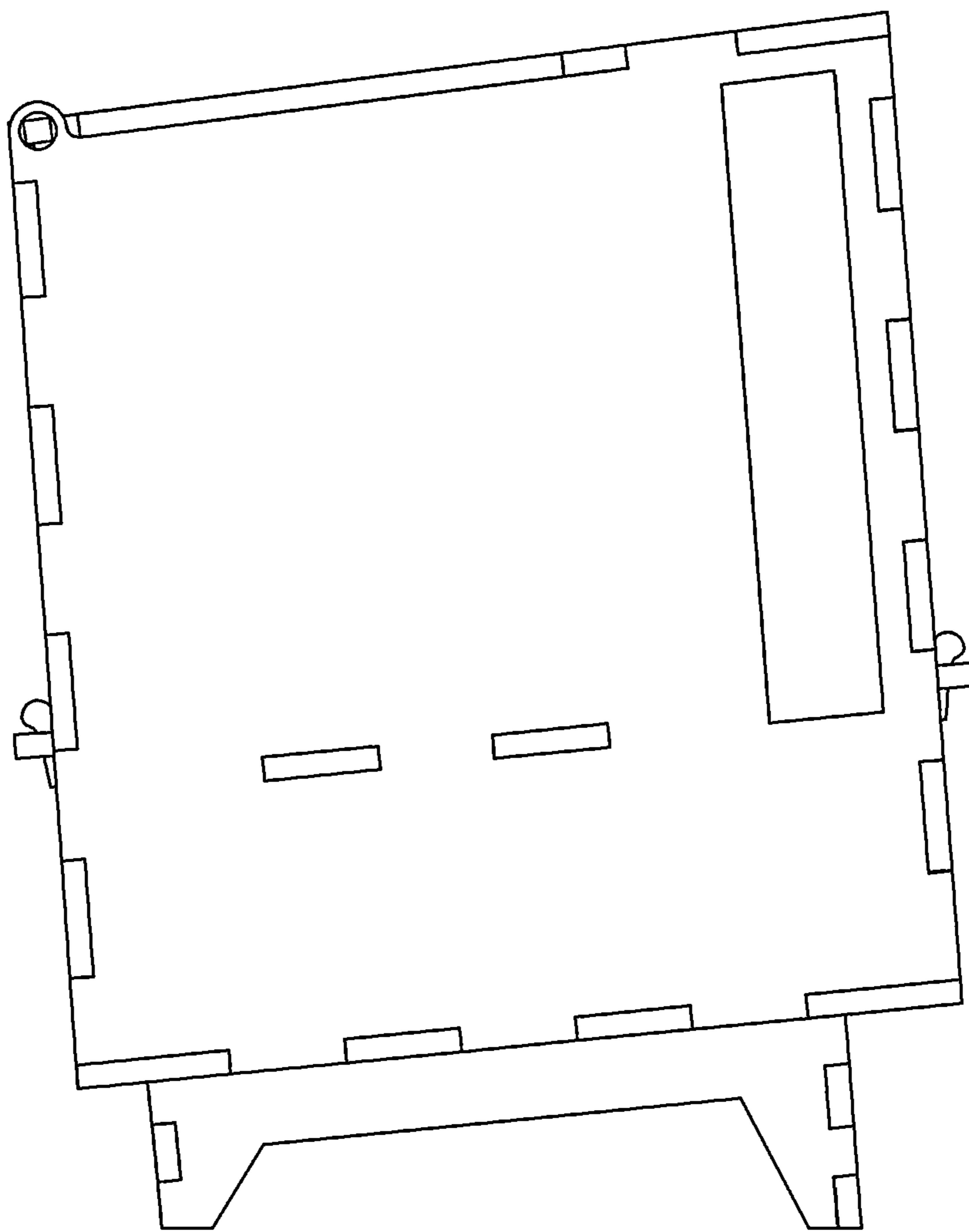


FIG. 5

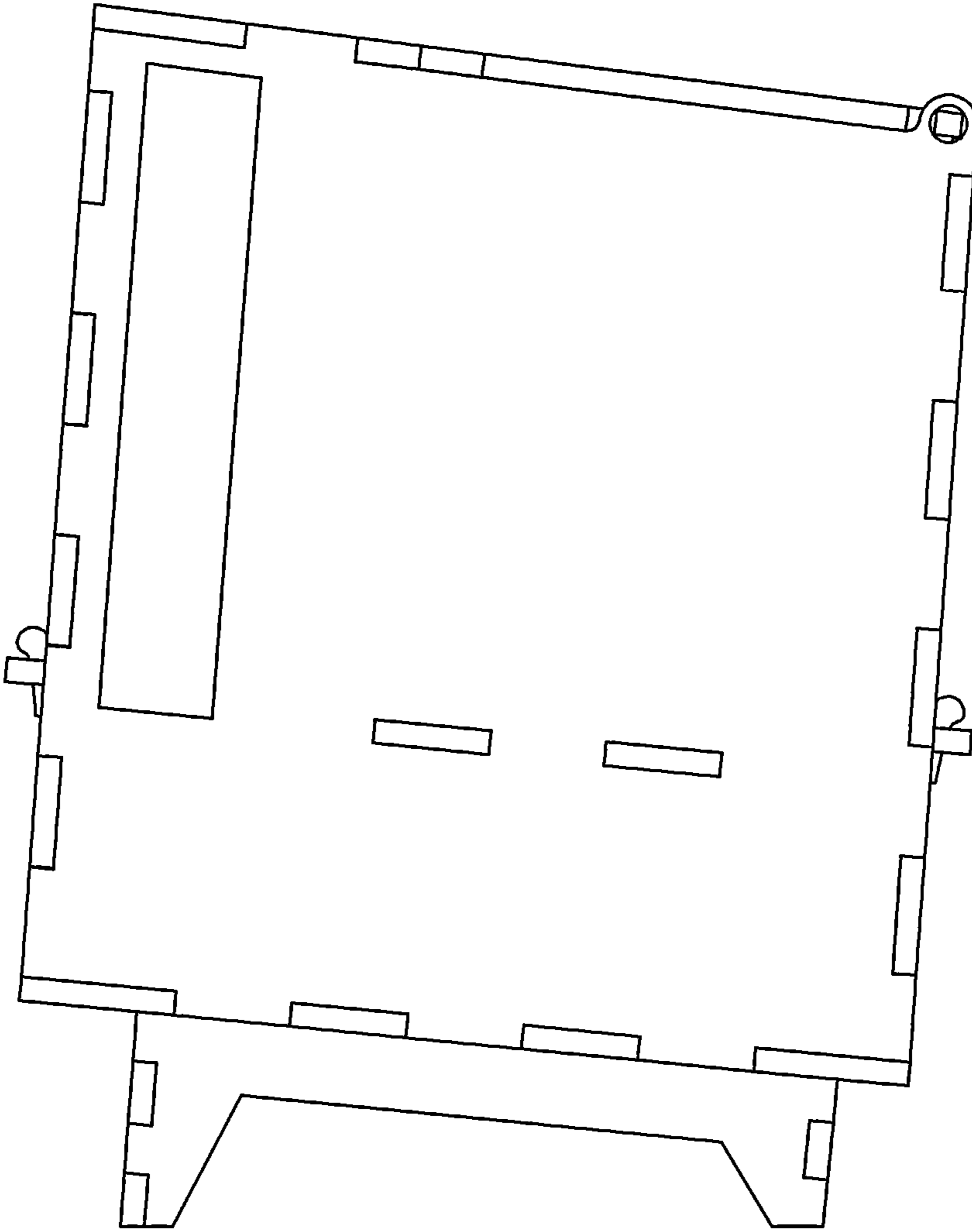


FIG. 6

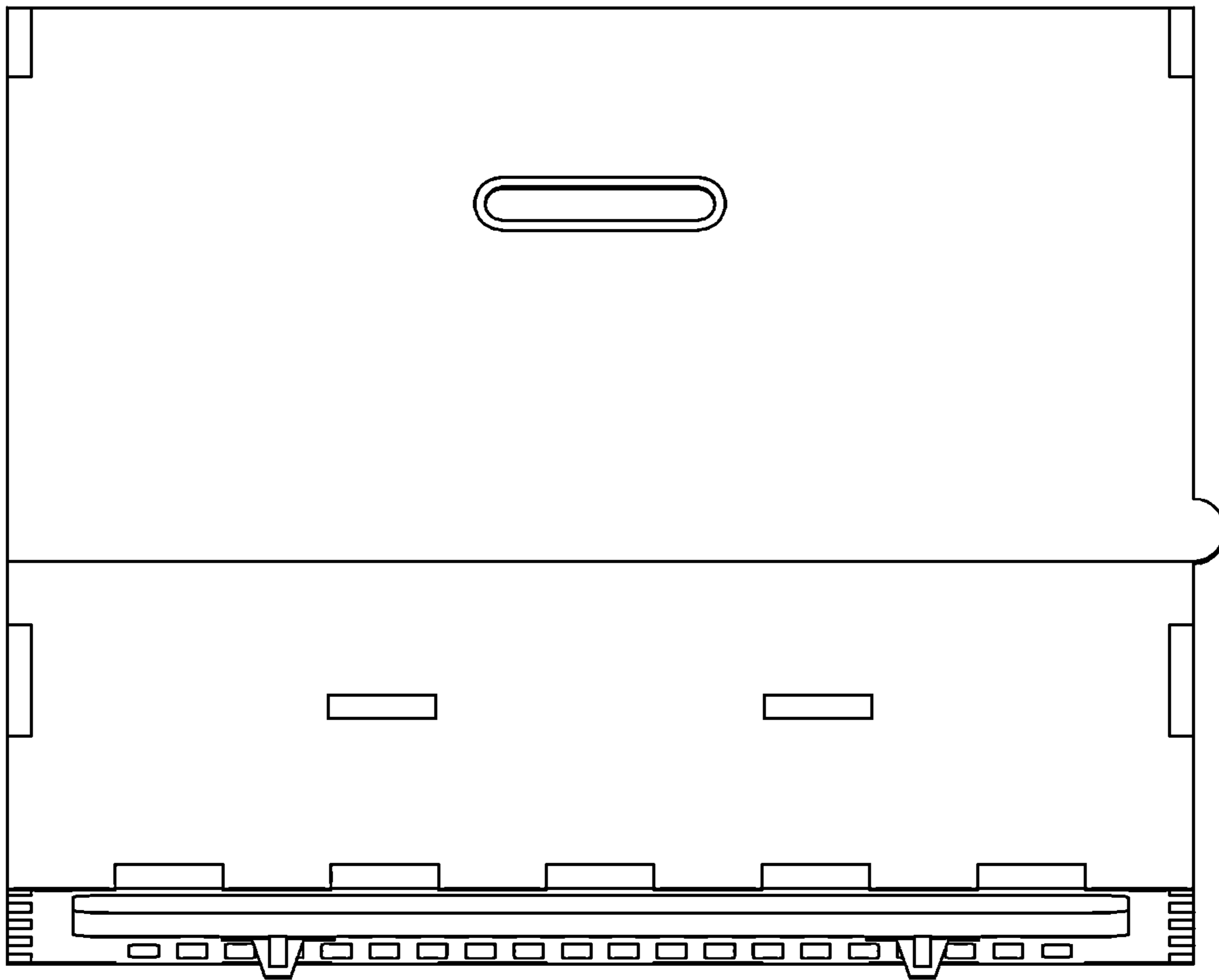


FIG. 7

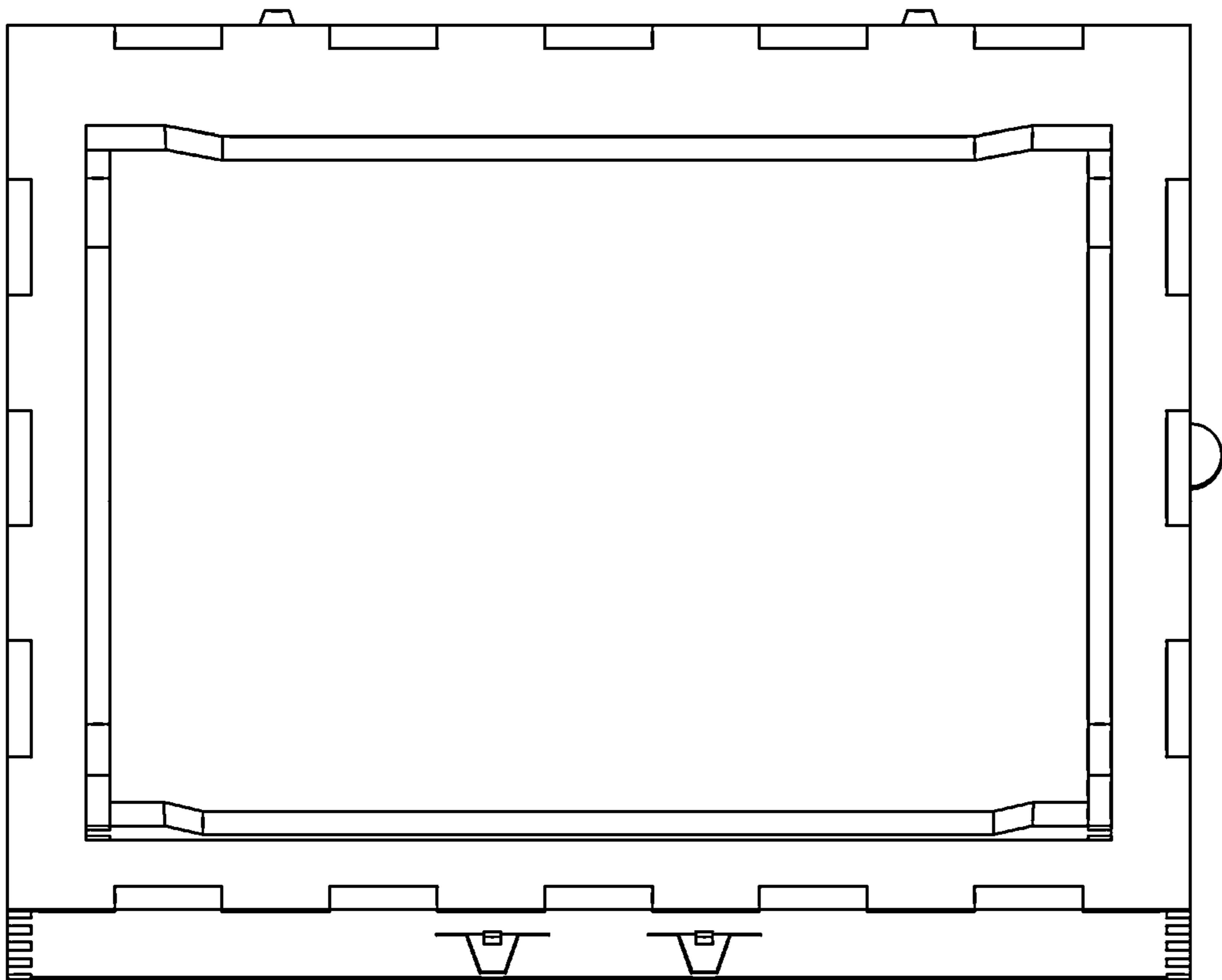


FIG. 8

