



US00D984431S

(12) **United States Design Patent** (10) **Patent No.:** **US D984,431 S**
Hu (45) **Date of Patent:** **** Apr. 25, 2023**

(54) **RACK FOR STORING CELL PHONES AND CDS**

(71) Applicant: **Yajun Hu**, El Dorado Hills, CA (US)

(72) Inventor: **Yajun Hu**, El Dorado Hills, CA (US)

(73) Assignees: **Yajun Hu**, El Dorado Hills, CA (US);
EUREKA LLC, EL Dorado Hills, CA (US)

(**) Term: **15 Years**

(21) Appl. No.: **29/732,752**

(22) Filed: **Apr. 27, 2020**

(51) **LOC (14) Cl.** **14-03**

(52) **U.S. Cl.**
USPC **D14/252**; D6/630

(58) **Field of Classification Search**
USPC D14/217, 251-253, 440, 447; D13/108;
D6/678.4, 675.5, 673, 629, 630
CPC A45F 2200/0525; A45F 2005/1006; A45F
2005/008; A45F 2200/0516; A45F 3/14;
A45F 5/00; A45F 5/10; A47F 5/0018
See application file for complete search history.

(56) **References Cited**

U.S. PATENT DOCUMENTS

- 4,410,093 A * 10/1983 Chiariello B42F 17/12
211/11
- D364,074 S * 11/1995 Yeh D7/637
- D378,037 S * 2/1997 Dunlap D6/630
- D381,548 S * 7/1997 Goodman D6/678.4
- D443,791 S * 6/2001 Martino D6/675.2
- D444,020 S * 6/2001 Muth D6/678.4
- D450,972 S 11/2001 Chen
- D464,841 S 10/2002 Chow et al.
- D468,934 S * 1/2003 Dienstmann D6/675.4

- D470,002 S 2/2003 Worrall
- D476,187 S 6/2003 Lau et al.
- D478,764 S 8/2003 Lau et al.
- D480,579 S 10/2003 Hillman
- D493,660 S * 8/2004 Goodman D6/630
- D496,206 S 9/2004 Lau
- D507,146 S 7/2005 Chow et al.
- D534,374 S * 1/2007 Wright D6/675.2
- D752,395 S * 3/2016 Chen D7/704
- D798,637 S * 10/2017 Min D6/678.4
- D843,792 S * 3/2019 Hsu D7/637
- D927,945 S * 8/2021 Cheng D7/704
- D937,209 S * 11/2021 Luo D13/108
- 2011/0062093 A1 * 3/2011 McGhee A47B 43/00
211/50

FOREIGN PATENT DOCUMENTS

CN 202030180145.0 * 8/2020

* cited by examiner

Primary Examiner — Janice Hallmark

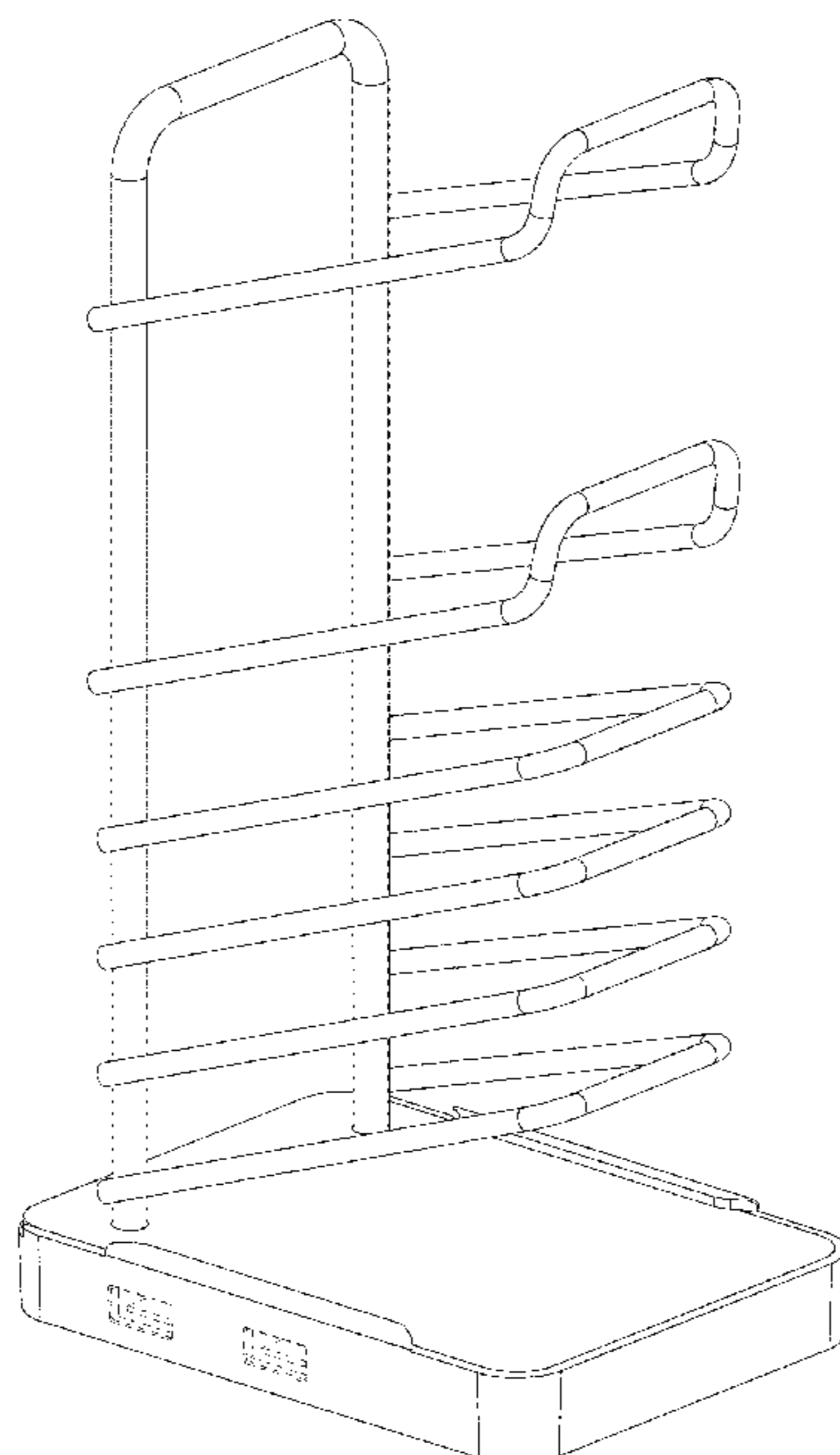
(57) **CLAIM**

I claim the ornamental design for a rack for storing cell phones and CDs, as shown and described.

DESCRIPTION

FIG. 1 is a perspective view of a rack for storing cell phones and CDs, showing my new design;
FIG. 2 is a front view thereof;
FIG. 3 is a bottom view thereof;
FIG. 4 is a top view thereof;
FIG. 5 is a rear side view thereof;
FIG. 6 is a left side view thereof; and,
FIG. 7 is a right side view thereof.
The broken lines illustrate portions of the rack for storing cell phones and CDs that form no part of the claimed design.

1 Claim, 7 Drawing Sheets



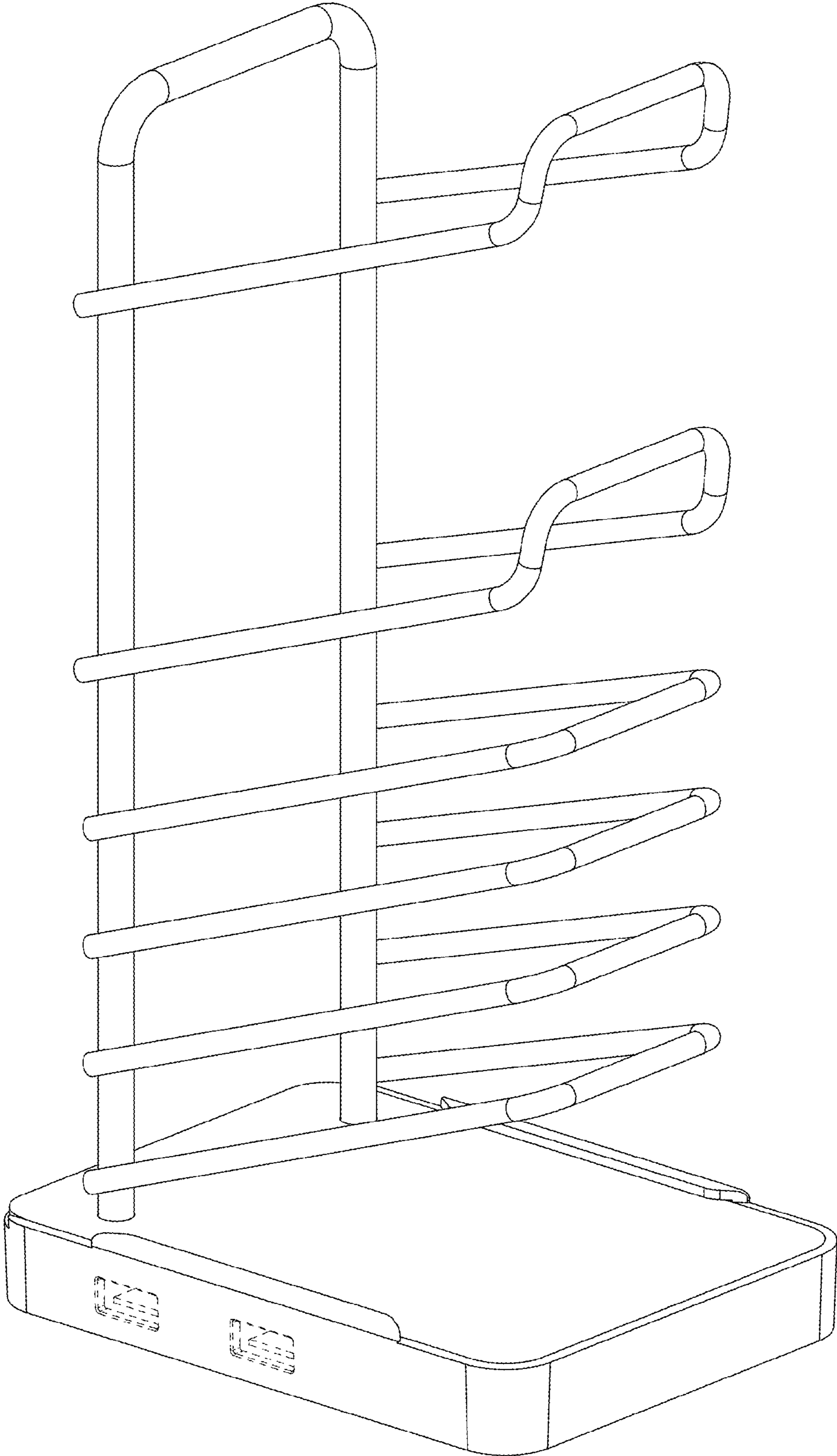


FIG.1

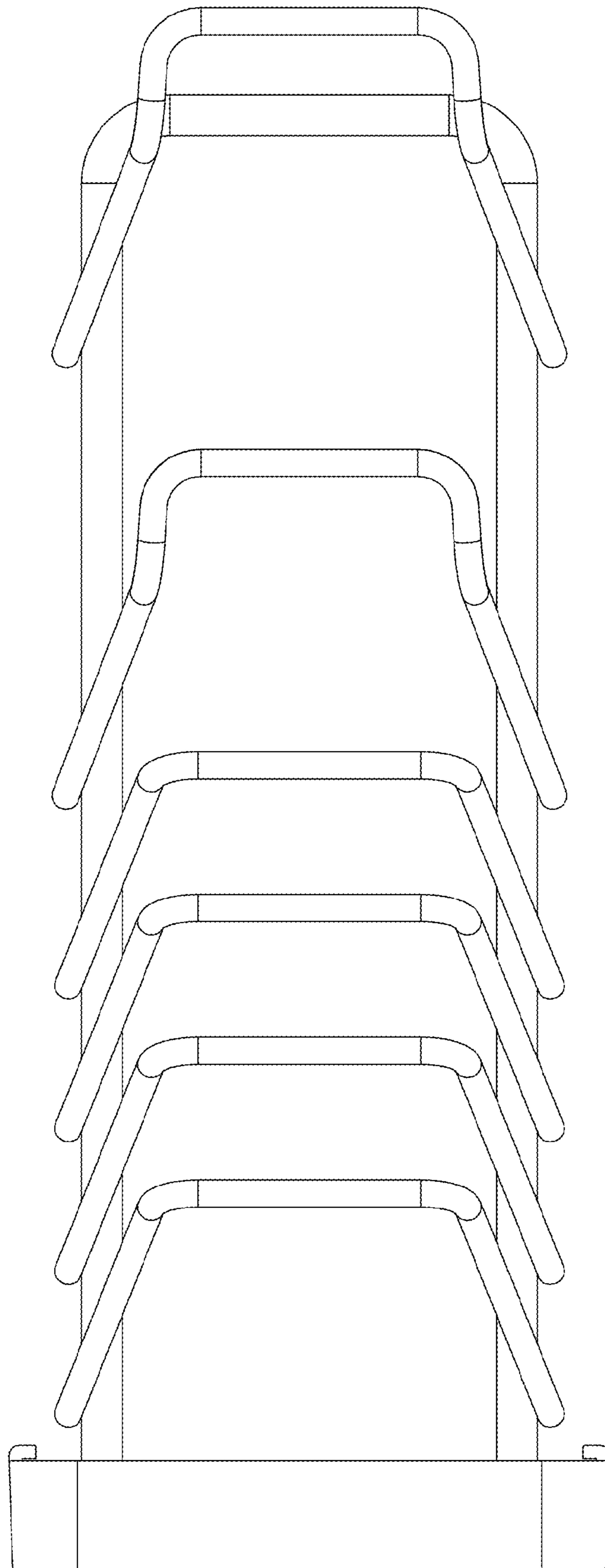


FIG.2

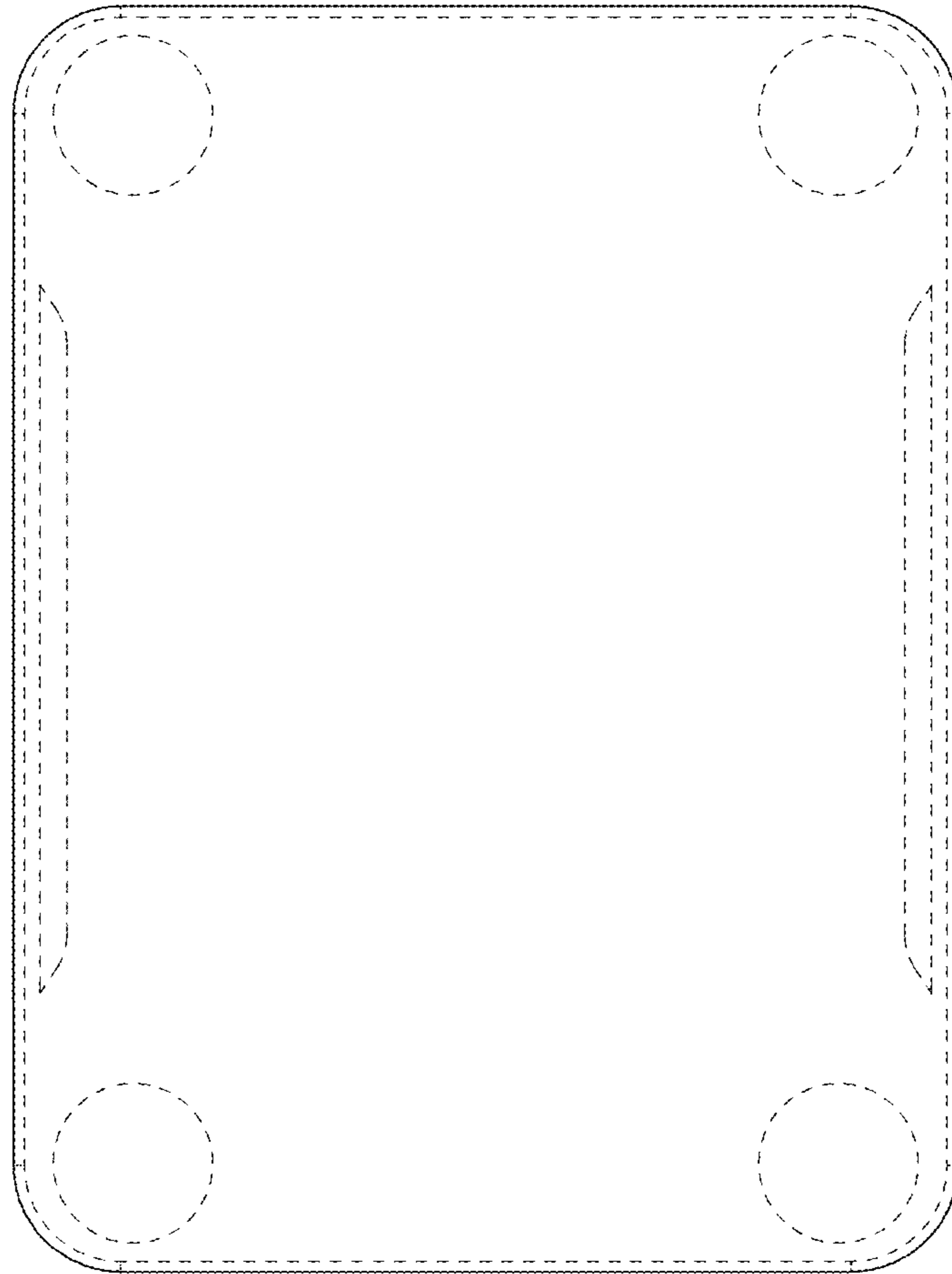


FIG.3

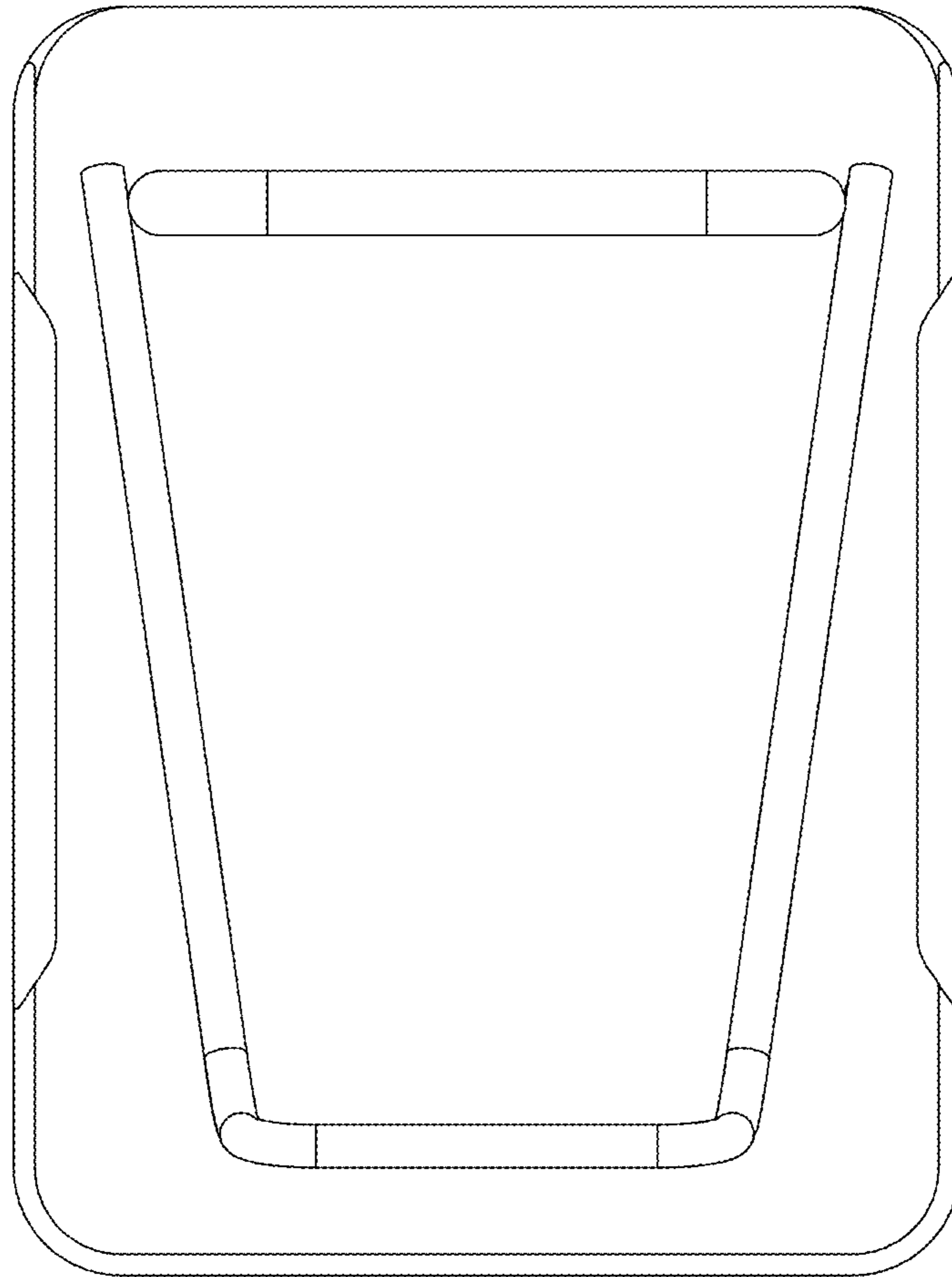


FIG.4

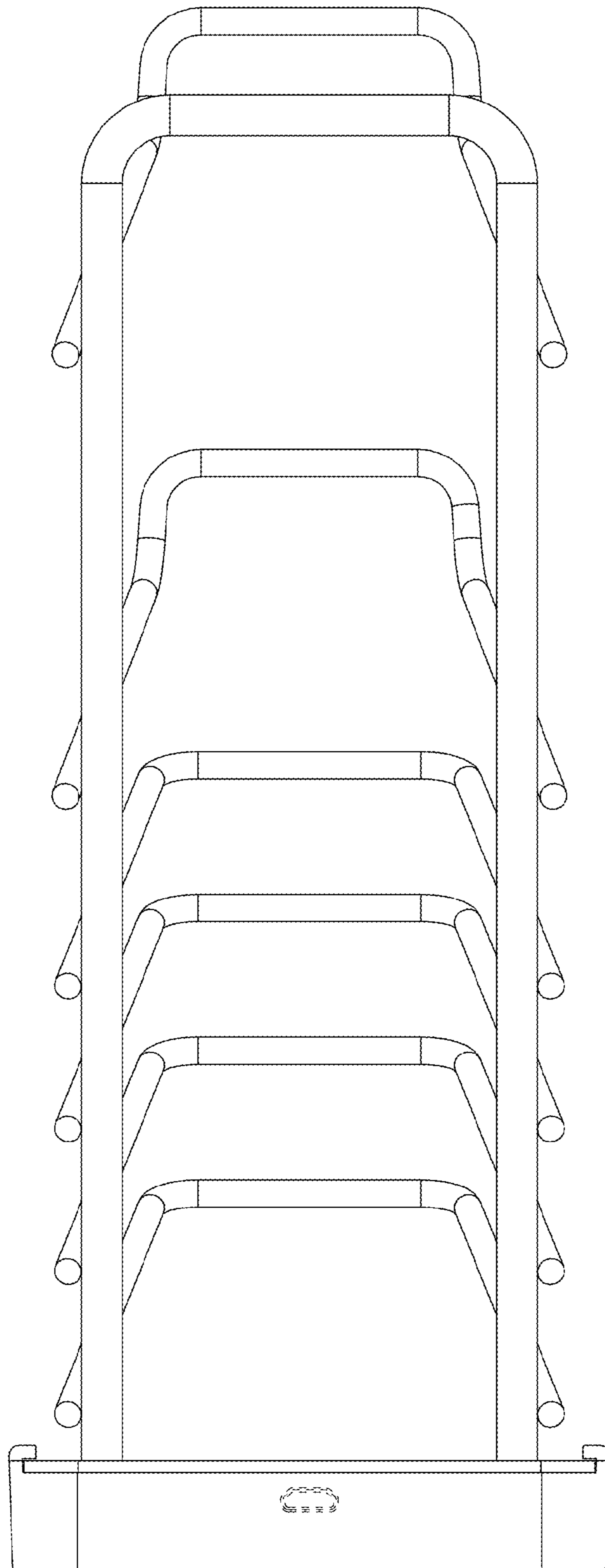


FIG. 5

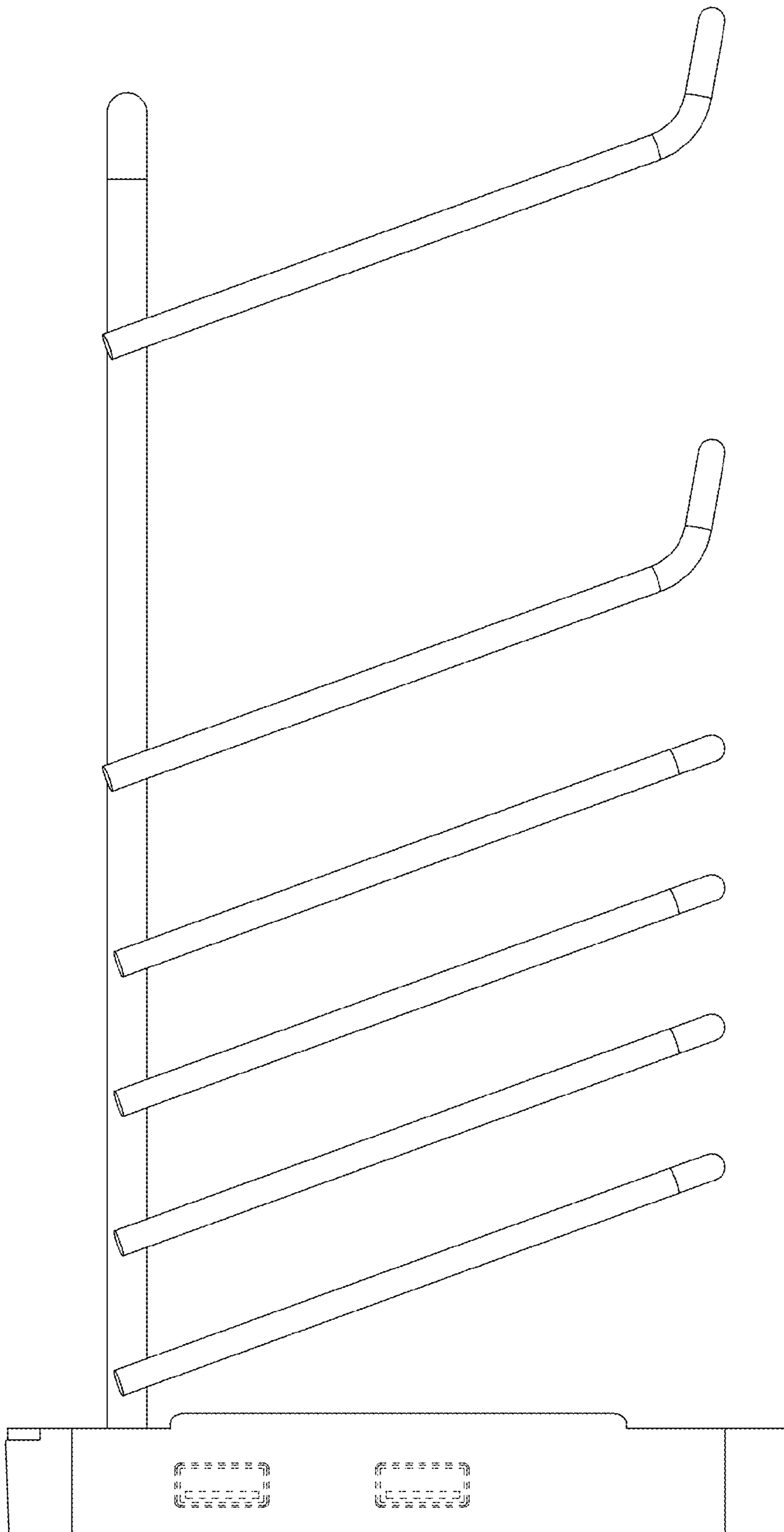


FIG.6

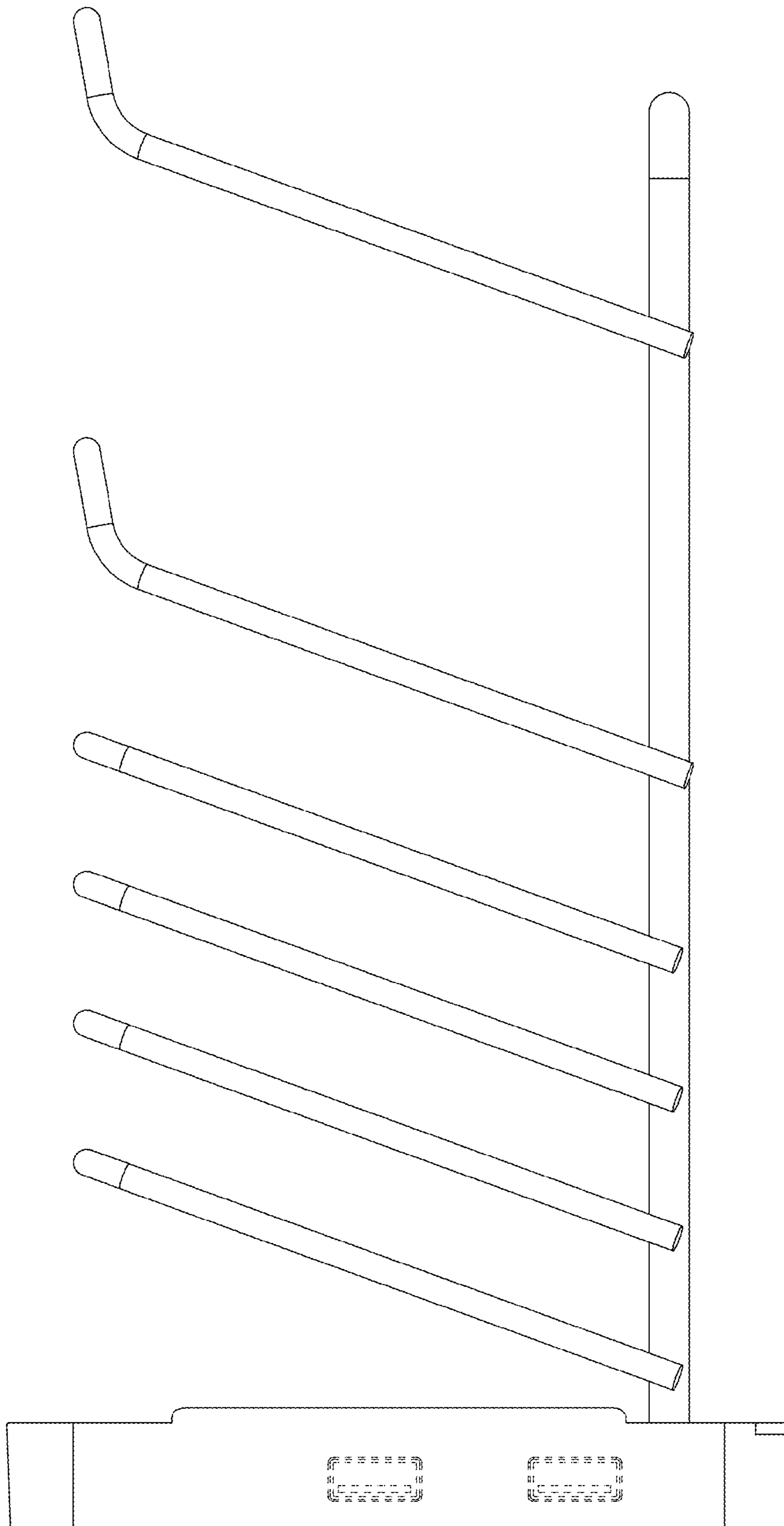


FIG.7