



US00D984429S

(12) **United States Design Patent**  
**Song**

(10) **Patent No.:** **US D984,429 S**  
(45) **Date of Patent:** **\*\* Apr. 25, 2023**

(54) **MOBILE PHONE CASE**

(71) Applicant: **Shenzhen Huajin Kangbei Technology Co., Ltd.**, Shenzhen (CN)

(72) Inventor: **Fei Song**, Shenzhen (CN)

(73) Assignee: **Shenzhen Huajin Kangbei Technology Co., Ltd.**, Shenzhen (CN)

(\*\*) Term: **15 Years**

(21) Appl. No.: **29/840,133**

(22) Filed: **May 26, 2022**

(30) **Foreign Application Priority Data**

May 20, 2022 (CN) ..... 202230300415.6

(51) **LOC (14) Cl.** ..... **14-03**

(52) **U.S. Cl.**  
USPC ..... **D14/250**

(58) **Field of Classification Search**  
USPC ..... D3/218, 247, 249, 269; D13/107, 108,  
D13/113, 118, 119; D14/217, 248,  
D14/250–253, 426, 432, 440  
CPC ..... H04B 1/3888; H04M 1/0283; H04M  
1/0202; A45F 2005/028; A45F 2200/0525  
See application file for complete search history.

(56) **References Cited**

**U.S. PATENT DOCUMENTS**

- D413,582 S \* 9/1999 Tompkins ..... D14/344
- D560,911 S \* 2/2008 Hackbart ..... D3/273
- D624,115 S \* 9/2010 Ausems ..... G06Q 20/3827  
D18/4.6
- D678,379 S \* 3/2013 O'Neill ..... D14/511
- D707,669 S 6/2014 Guzman
- D717,287 S \* 11/2014 Macrina ..... D14/250
- D717,288 S \* 11/2014 Adams ..... D16/237
- D729,299 S \* 5/2015 Adams ..... D16/208

- D732,598 S \* 6/2015 Adams ..... D16/208
- 9,071,671 B2 \* 6/2015 Guzman ..... H04N 23/55
- D749,554 S \* 2/2016 Park ..... D14/250
- D805,773 S \* 12/2017 Chen ..... D3/294
- D831,725 S \* 10/2018 Meneses ..... D16/208
- D858,607 S \* 9/2019 Henry ..... D16/208

(Continued)

**OTHER PUBLICATIONS**

ShellBox IP68 Waterproof Phone Case, publication date Mar. 16, 2020, [online] URL: <https://www.amazon.co.uk/Diving-Waterproof-iPhone-Samsung-Galaxy/dp/B085XS71H9> (Year: 2020).\*

(Continued)

*Primary Examiner* — L. A. Grabenstetter

(74) *Attorney, Agent, or Firm* — ScienBiziP, P.C.

(57) **CLAIM**

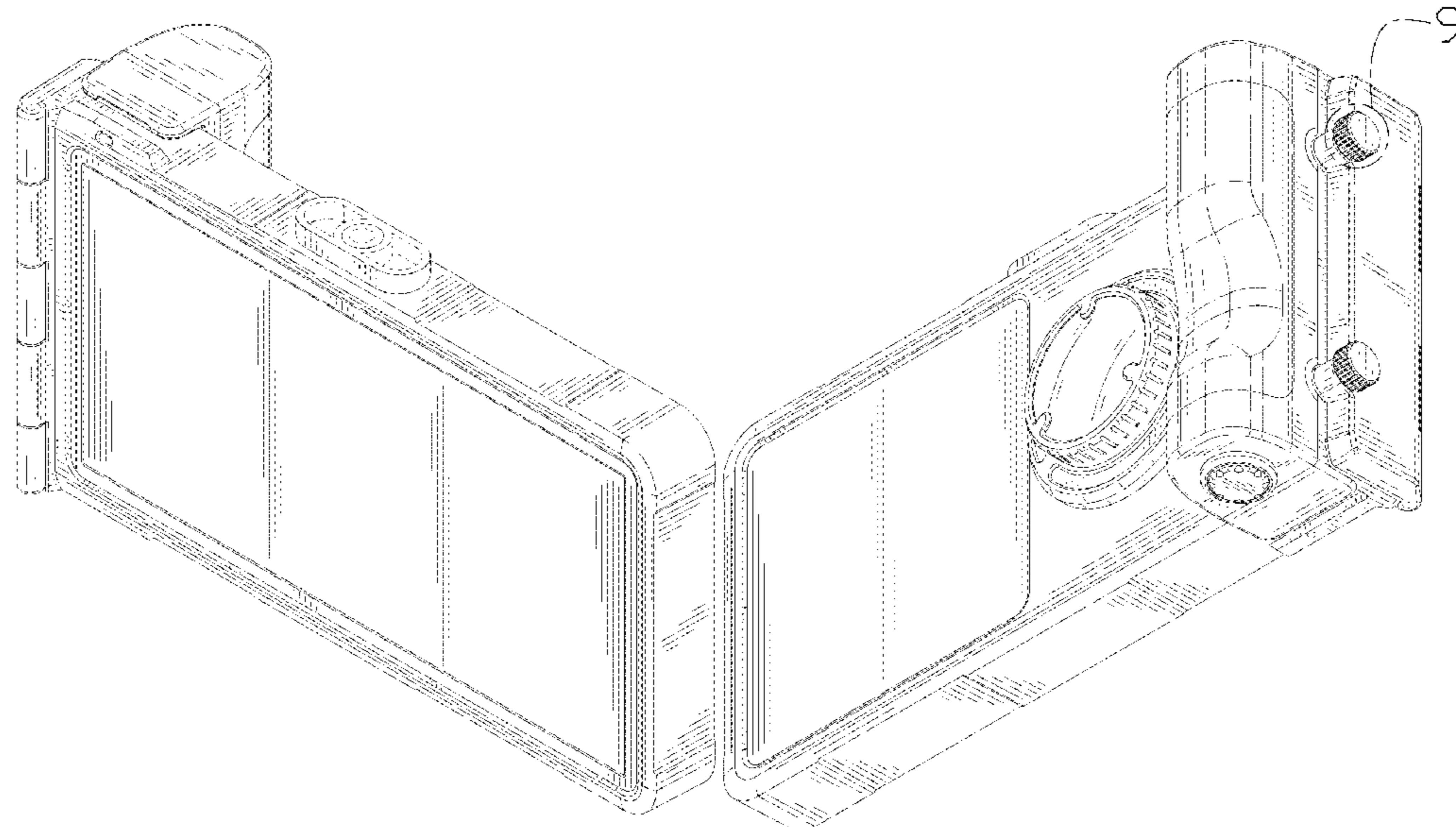
The ornamental design for a mobile phone case, as shown and described.

**DESCRIPTION**

FIG. 1 is a front, right and top perspective view of a mobile phone case, showing my design.  
FIG. 2 is a rear, left and bottom perspective view thereof.  
FIG. 3 is a front elevation view thereof.  
FIG. 4 is a rear elevation view thereof.  
FIG. 5 is a left side elevation view thereof.  
FIG. 6 is a right side elevation view thereof.  
FIG. 7 is a top plan view thereof.  
FIG. 8 is a bottom plan view thereof; and,  
FIG. 9 is a partial enlarged view of an area labeled 9 in FIG. 2.

The broken lines shown in the drawings are included for the purpose of illustrating portions of the mobile phone case that form no part of the claimed design. In addition, the dot-dash broken lines in FIGS. 2 and 9 depict the boundaries of the enlargements that form no part of the claimed design.

**1 Claim, 9 Drawing Sheets**



(56)

**References Cited**

U.S. PATENT DOCUMENTS

D898,719 S 10/2020 Watkins, Jr.  
11,073,743 B2\* 7/2021 Deavis ..... G03B 11/041  
2013/0130753 A1\* 5/2013 Springer ..... G03B 17/14  
455/575.1  
2013/0267283 A1\* 10/2013 Guzman ..... H04M 1/04  
455/575.1  
2021/0086881 A1\* 3/2021 Wang ..... H04B 1/3888

OTHER PUBLICATIONS

The Prynt Case turns your smartphone into a Polaroid camera, publication date Nov. 13, 2014, [online] URL: <https://techcrunch.com/2014/11/13/the-prynt-case-turns-your-smartphone-into-a-polaroid-camera/> (Year: 2014).\*

Towevine Waterproof Phone Case, 50ft Diving Phone Case for iPhone Pro, publication date Jun. 5, 2021, [online] URL: <https://www.amazon.com/Waterproof-Professional-Snorkeling-Protective-Smartphones/dp/B096XBYLQ9?th=1> (Year: 2021).\*

\* cited by examiner

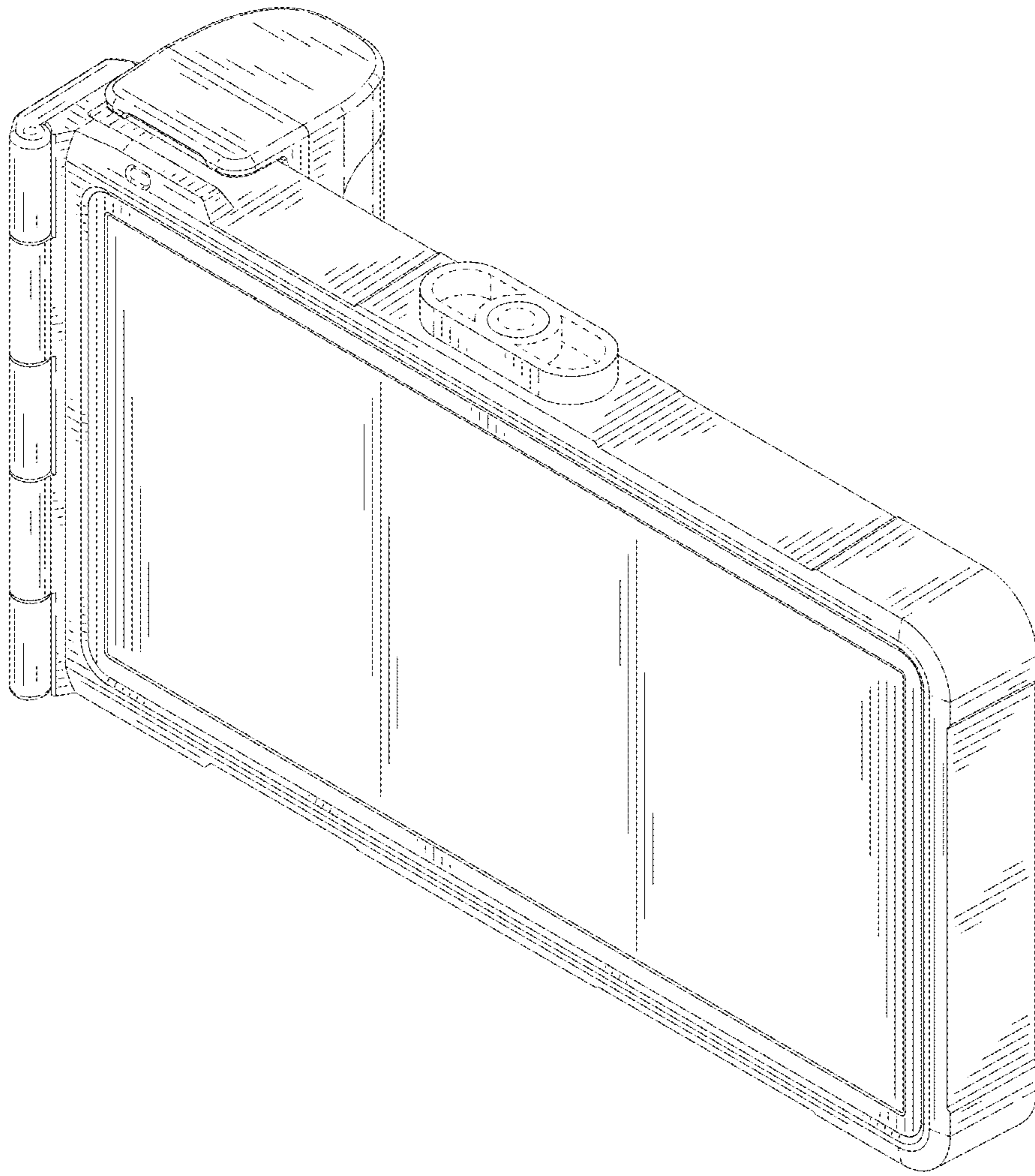


FIG. 1



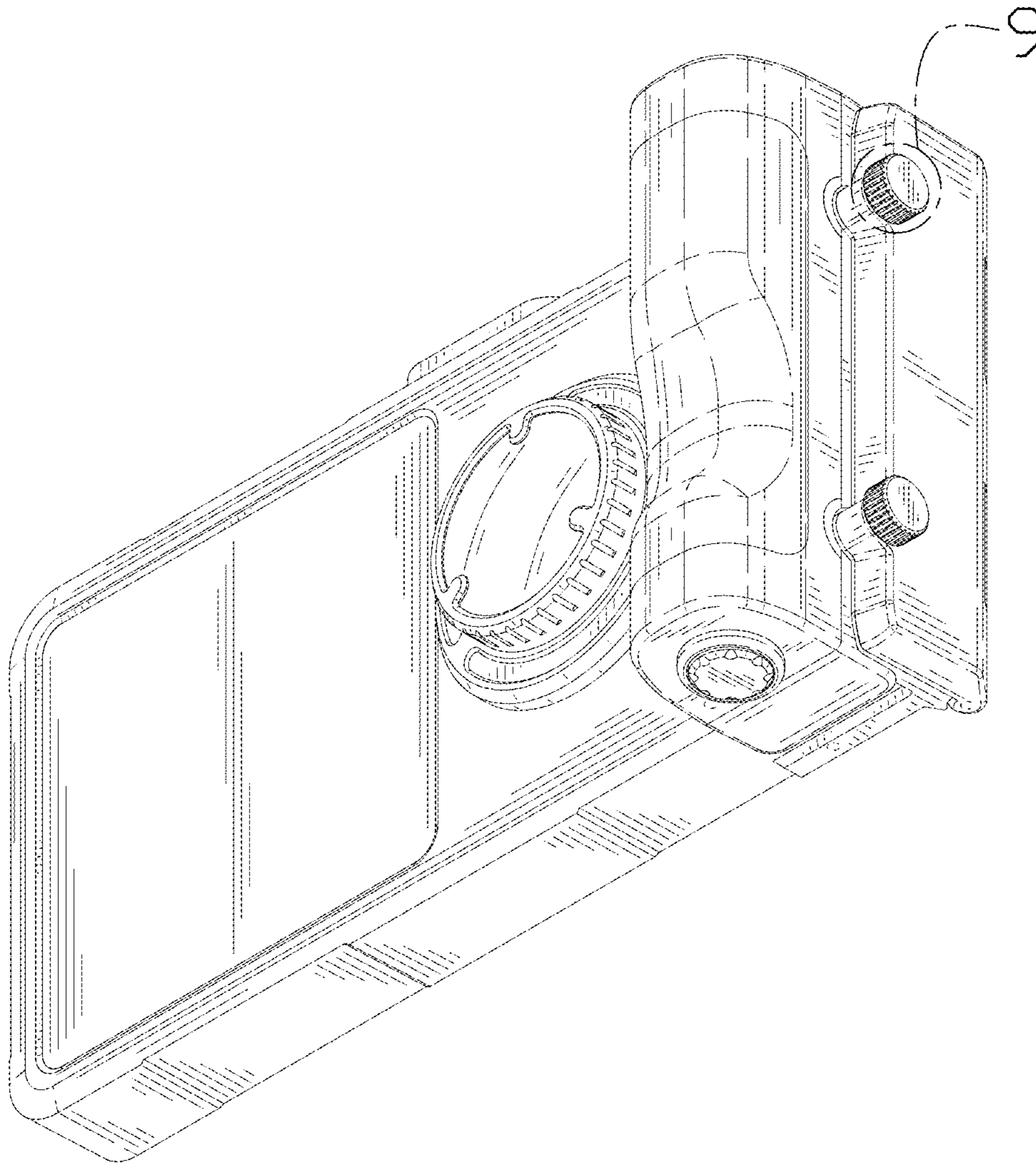


FIG. 2

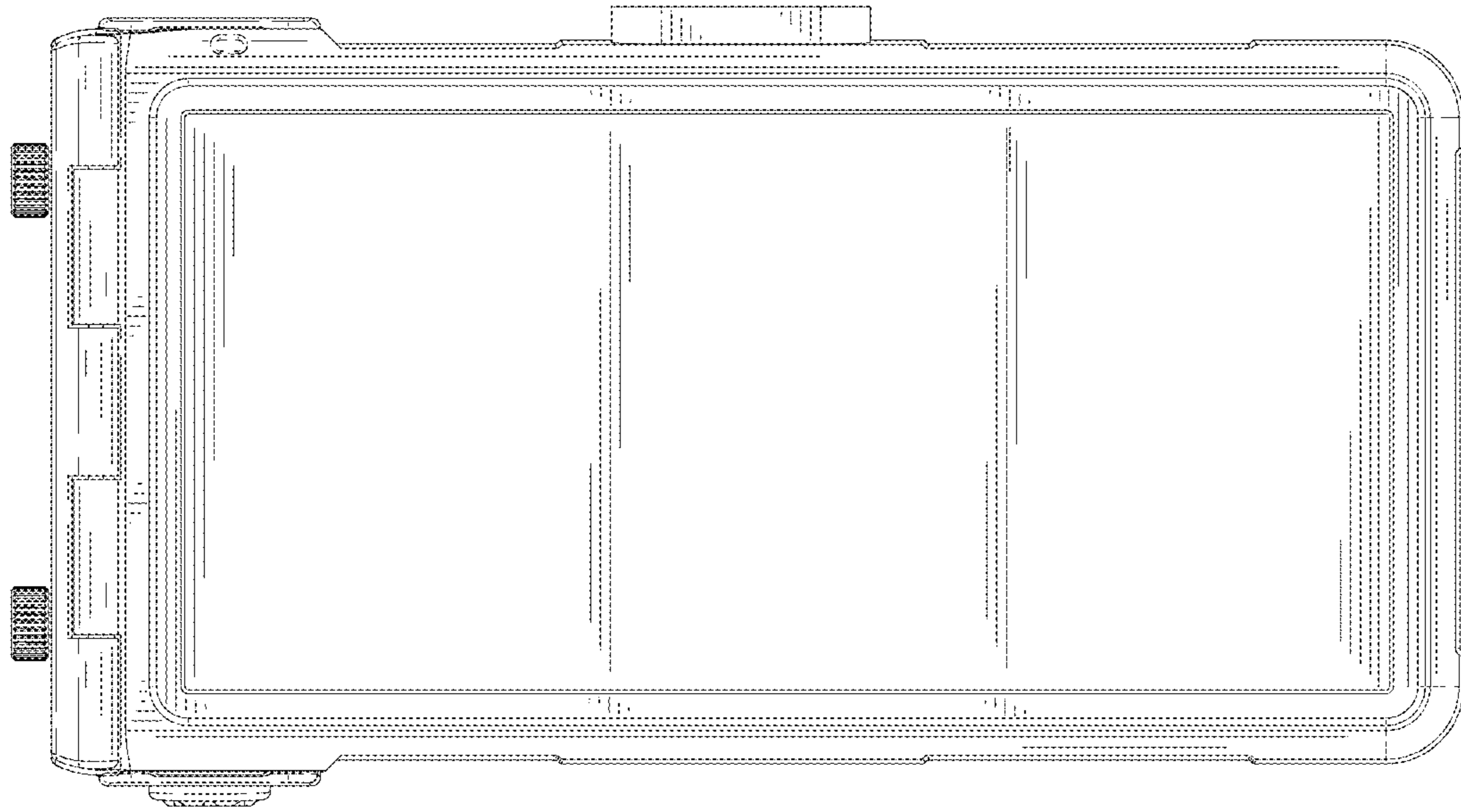


FIG. 3

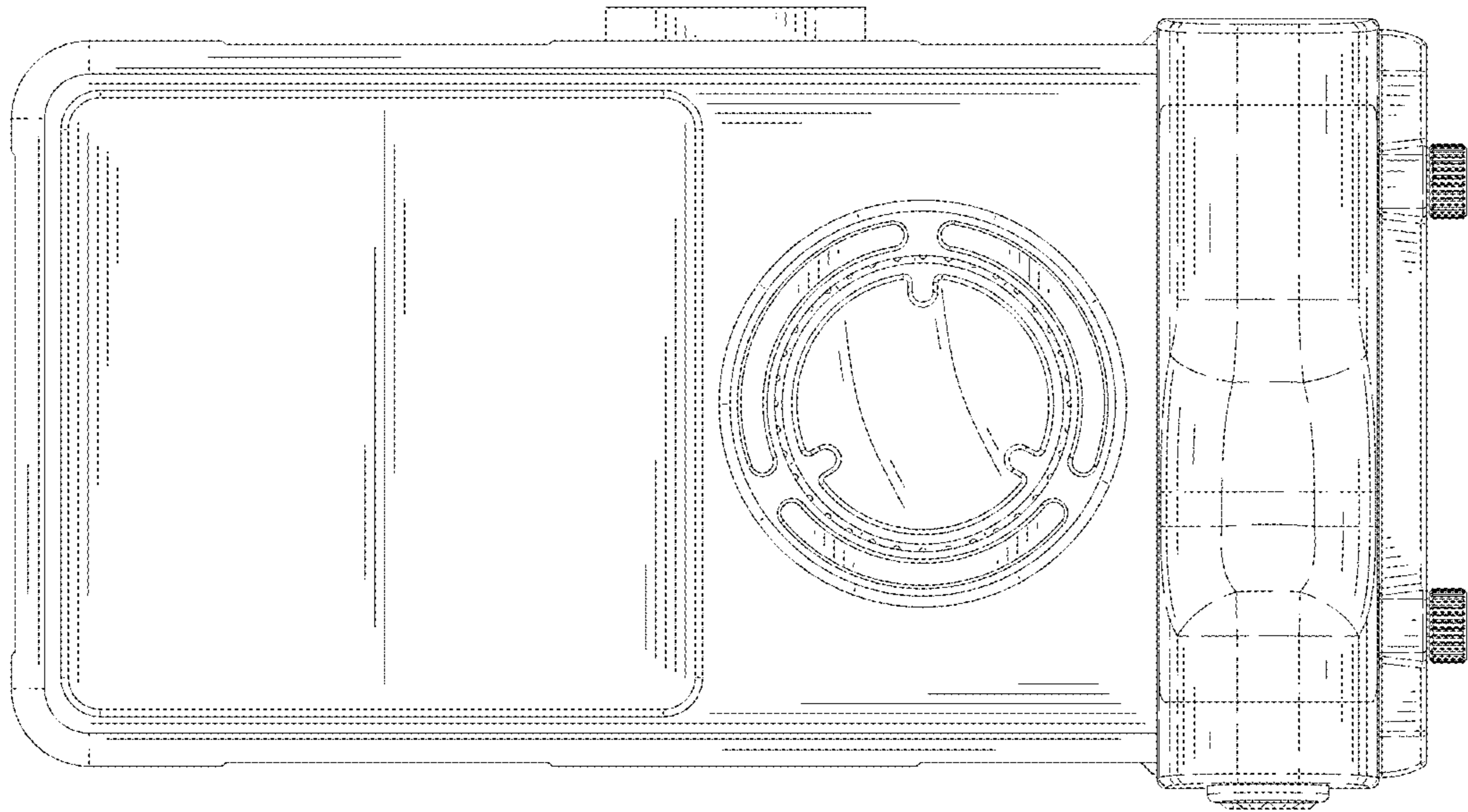


FIG. 4

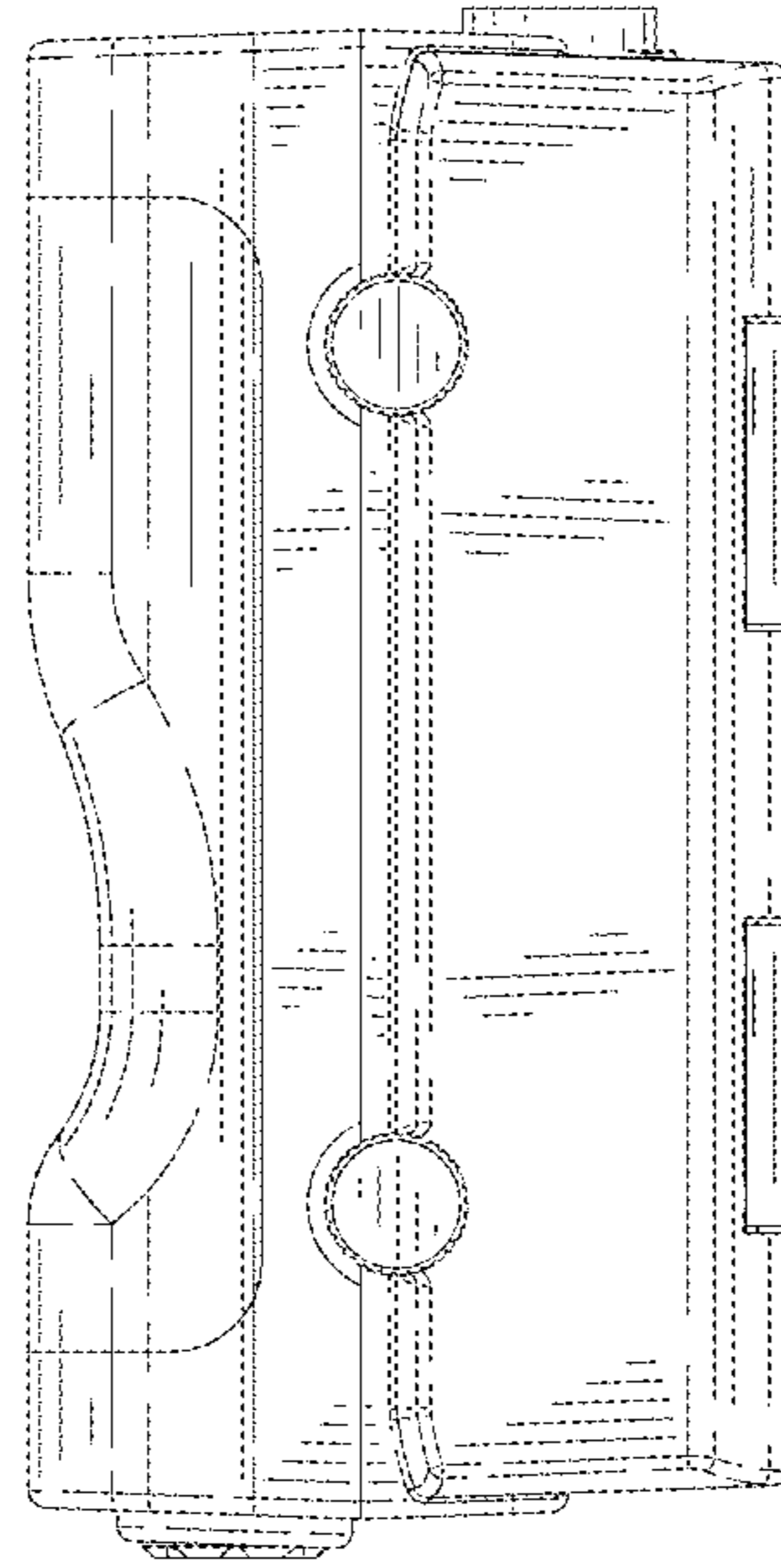


FIG. 5

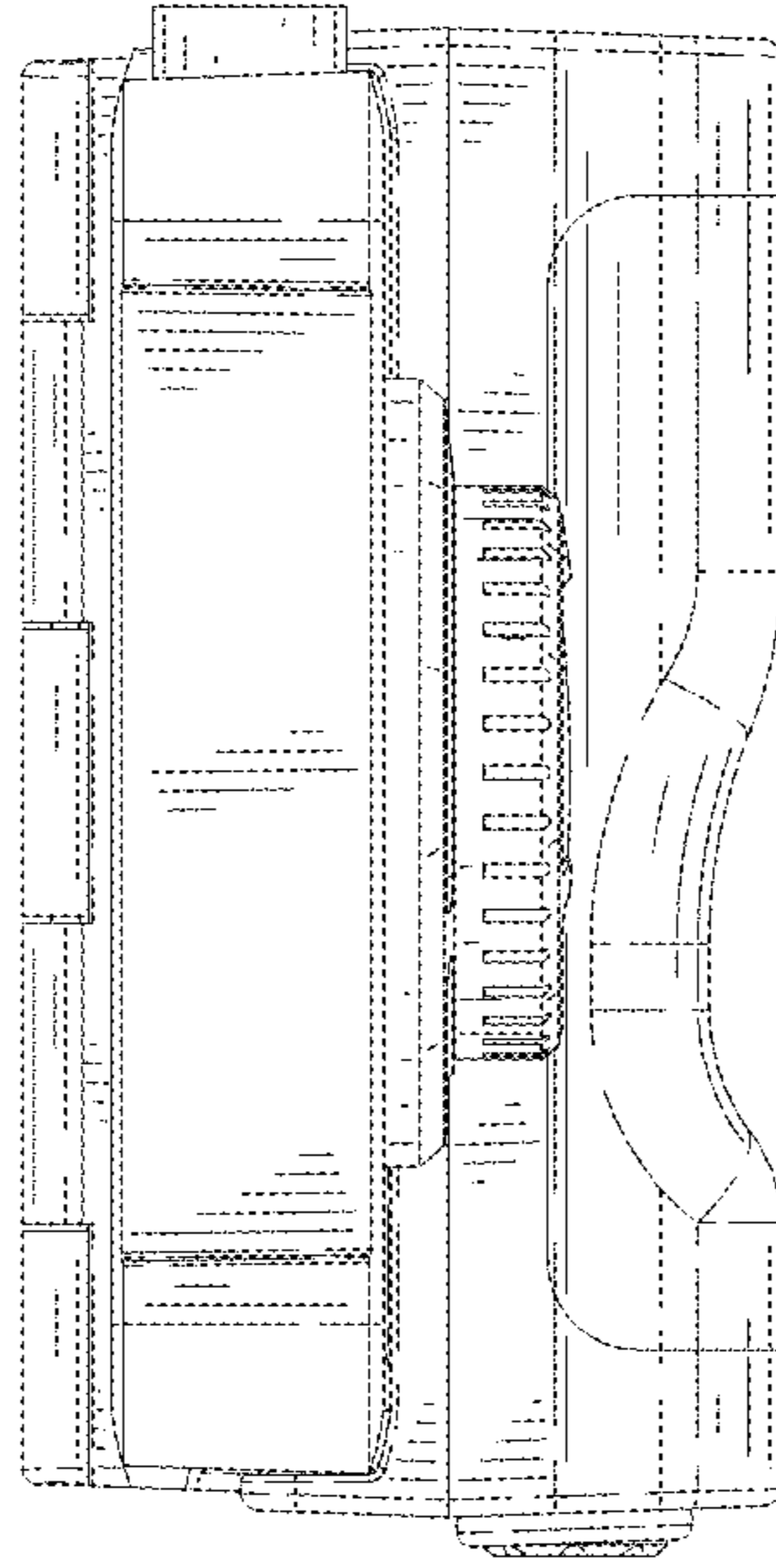


FIG. 6



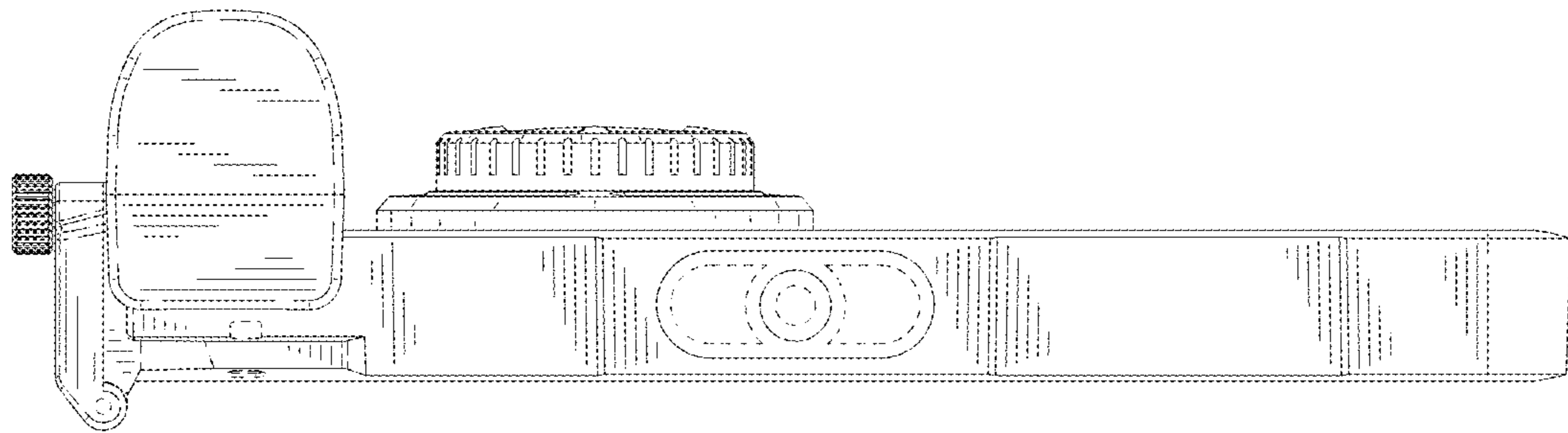


FIG. 7

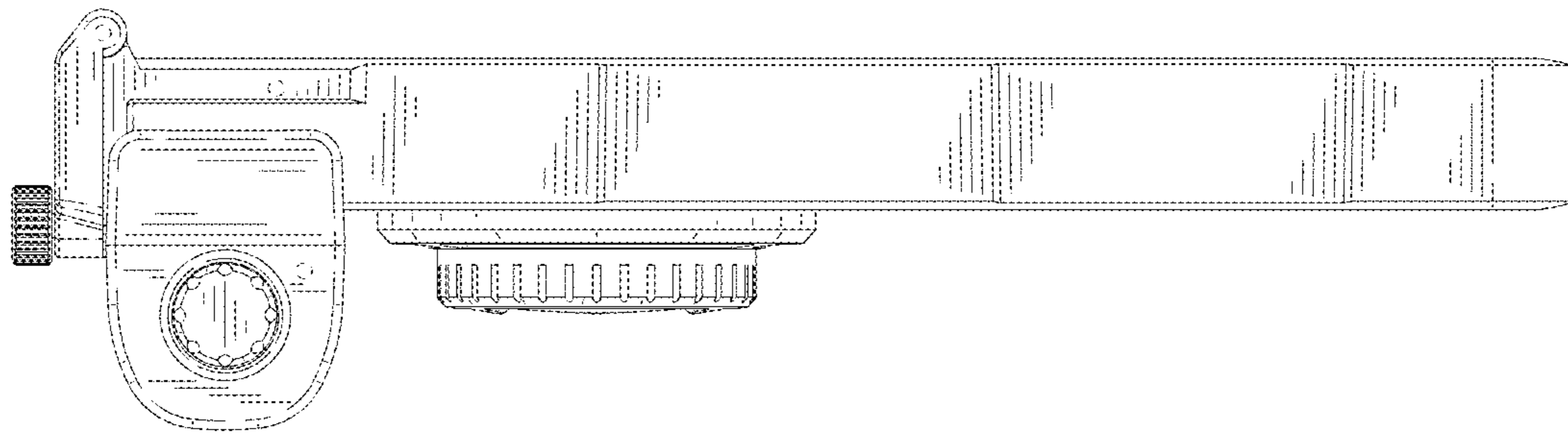


FIG. 8

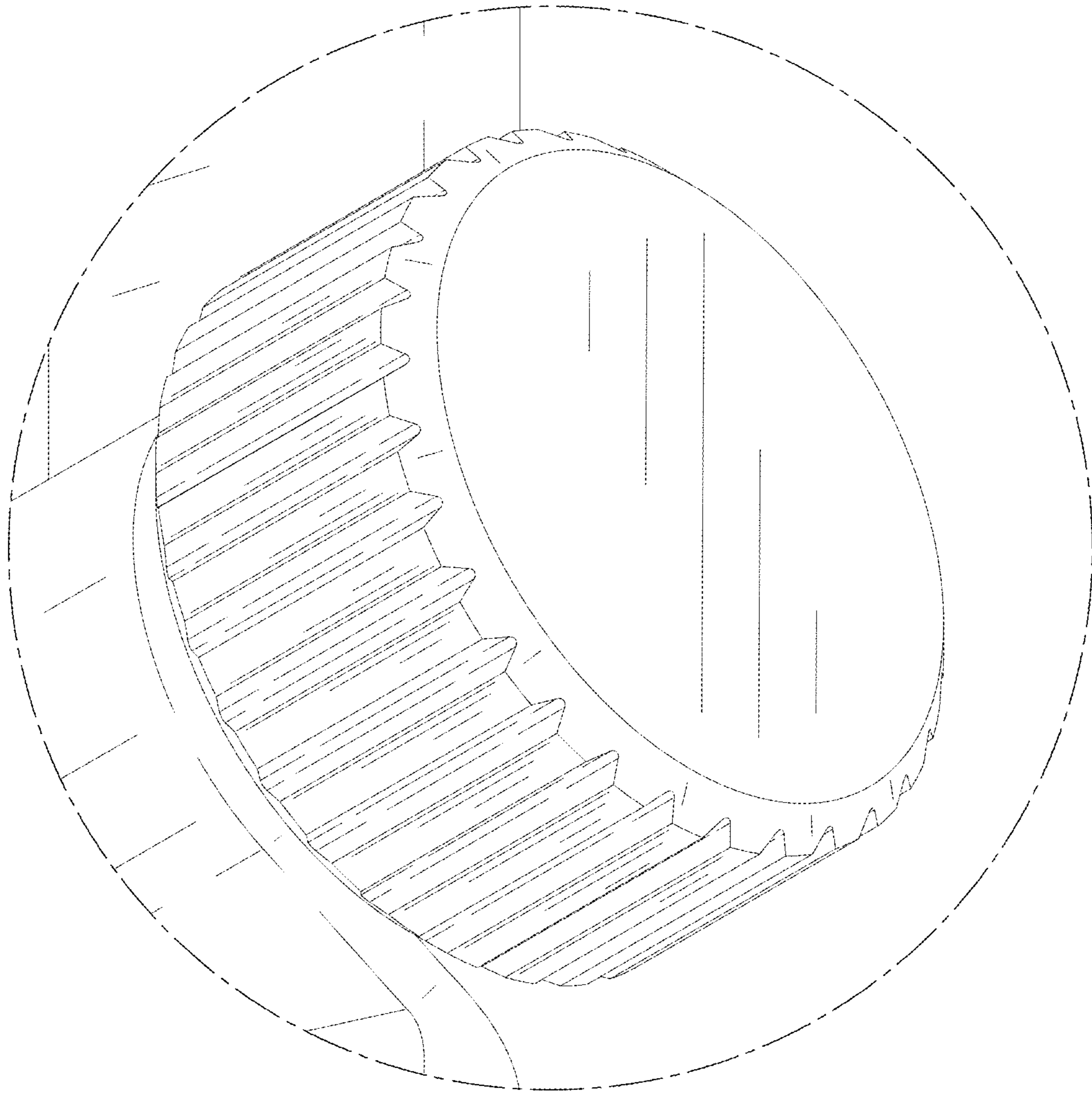


FIG. 9