



US00D984427S

(12) **United States Design Patent** (10) **Patent No.:** **US D984,427 S**  
**Lu** (45) **Date of Patent:** **\*\* Apr. 25, 2023**

(54) **CELLPHONE CASE**  
(71) Applicant: **SHENZHEN TIANHUIFENG TECHNOLOGY CO., LTD.**, Shenzhen (CN)  
(72) Inventor: **Chenhui Lu**, Zhoukou (CN)  
(73) Assignee: **SHENZHEN TIANHUIFENG TECHNOLOGY CO., LTD.**, Shenzhen (CN)

D891,416 S \* 7/2020 Yu ..... D3/249  
D900,114 S \* 10/2020 Tang ..... D14/440  
D900,115 S \* 10/2020 Xu ..... D14/440  
D906,321 S \* 12/2020 Feng ..... D3/249  
D907,625 S \* 1/2021 Feng ..... D3/249  
D908,118 S \* 1/2021 Lu ..... D3/249  
D917,442 S \* 4/2021 Feng ..... D3/249  
D918,887 S \* 5/2021 Feng ..... D3/249  
D924,861 S \* 7/2021 Zhong ..... D14/250  
D960,140 S \* 8/2022 He ..... D14/250  
D971,910 S \* 12/2022 Chen ..... D14/250  
D973,046 S \* 12/2022 Feng ..... D3/249

(\*\*) Term: **15 Years**  
(21) Appl. No.: **29/807,475**  
(22) Filed: **Sep. 13, 2021**  
(51) **LOC (14) Cl.** ..... **14-03**  
(52) **U.S. Cl.**  
USPC ..... **D14/250**; D3/249  
(58) **Field of Classification Search**  
USPC ..... D3/201, 218, 247, 249, 269; D13/107,  
D13/108, 118, 119; D14/217, 248,  
D14/250–253, 432, 440  
CPC ..... H04B 1/3888; H04M 1/0283; H04M  
1/0202; A45F 2005/028; A45F 2200/0525  
See application file for complete search history.

**FOREIGN PATENT DOCUMENTS**

CN 202130622556.5 \* 9/2021  
\* cited by examiner

*Primary Examiner* — L. A. Grabenstetter

(57) **CLAIM**

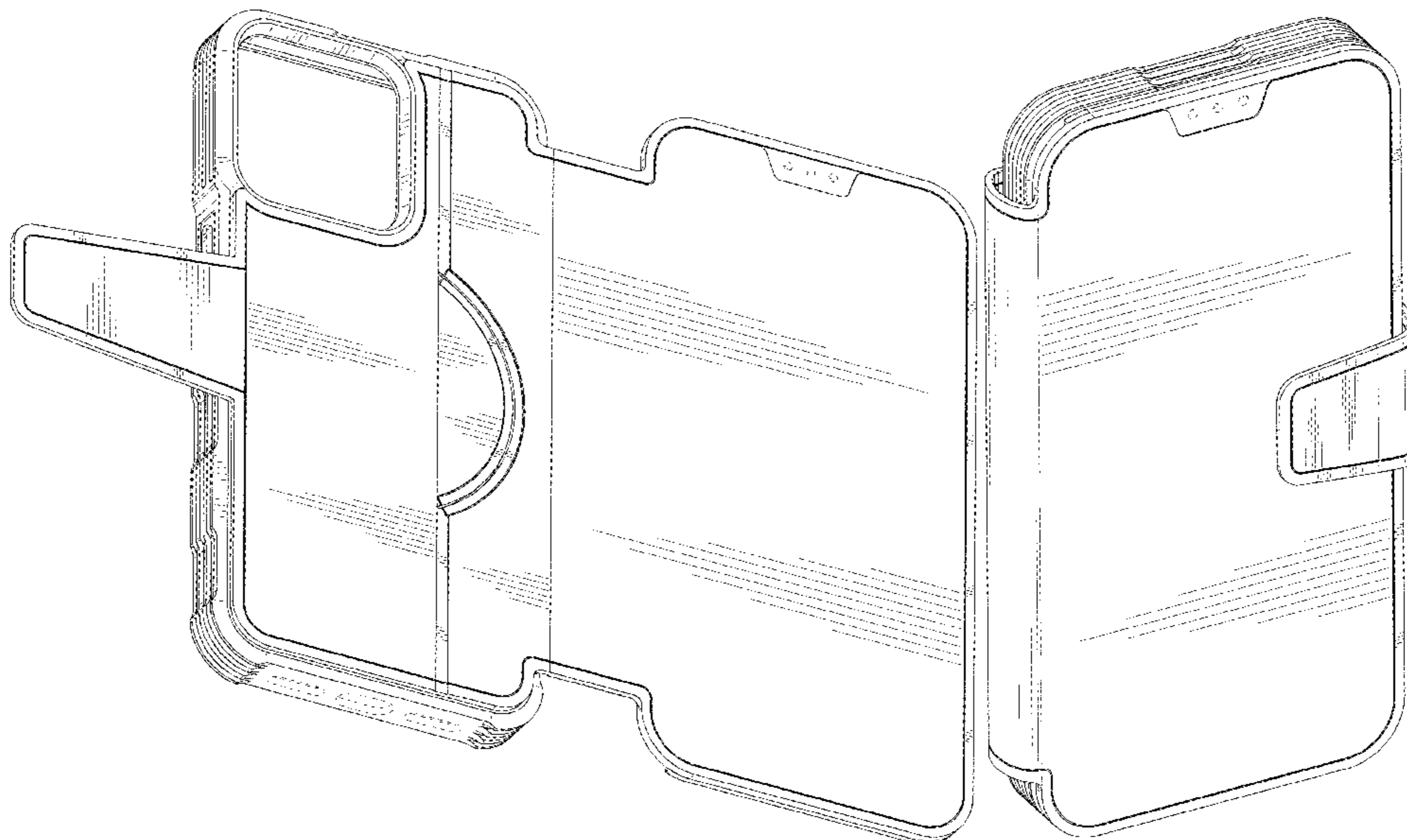
The ornamental design for a cellphone case, as shown and described.

**DESCRIPTION**

FIG. 1 is a front perspective view of a cellphone case showing my new design shown in a first open state; FIG. 2 is a rear perspective view thereof; FIG. 3 is a front elevational view thereof; FIG. 4 is a rear elevational view thereof; FIG. 5 is a left side elevational view thereof; FIG. 6 is a right side elevational view thereof; FIG. 7 is a top plan view thereof; FIG. 8 is a bottom plan view thereof; FIG. 9 is a perspective view of the cellphone case where the cellphone case is in a closed state; and, FIG. 10 is a perspective view of the cellphone case where the cellphone is in a second open state. The broken lines in the drawings depict portions of the cellphone case that form no part of the claimed design.

(56) **References Cited**  
**U.S. PATENT DOCUMENTS**  
D777,421 S \* 1/2017 Grote ..... D3/218  
D778,895 S \* 2/2017 Park ..... D14/250  
D789,342 S \* 6/2017 Sirichai ..... D14/250  
D793,725 S \* 8/2017 Zhang ..... D3/249  
D806,378 S \* 1/2018 Lerenthal ..... D3/201  
D816,987 S \* 5/2018 Grote ..... D3/218  
D846,553 S \* 4/2019 Feng ..... D14/440  
D871,066 S \* 12/2019 Feng ..... D3/249  
D871,416 S \* 12/2019 Han ..... D14/440  
D872,722 S \* 1/2020 Zhou ..... D14/250  
D874,136 S \* 2/2020 Feng ..... D3/249

**1 Claim, 10 Drawing Sheets**



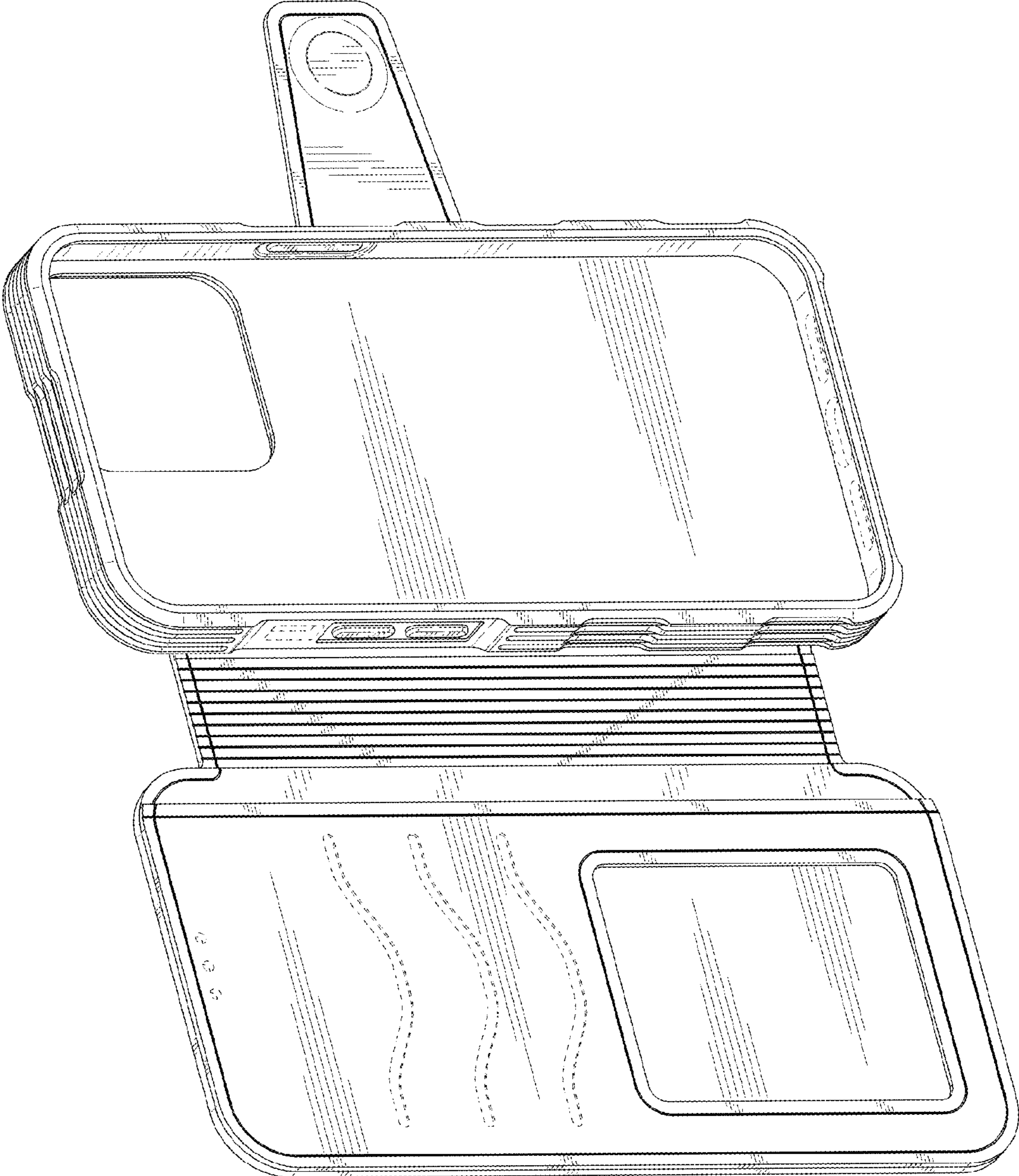


FIG. 1

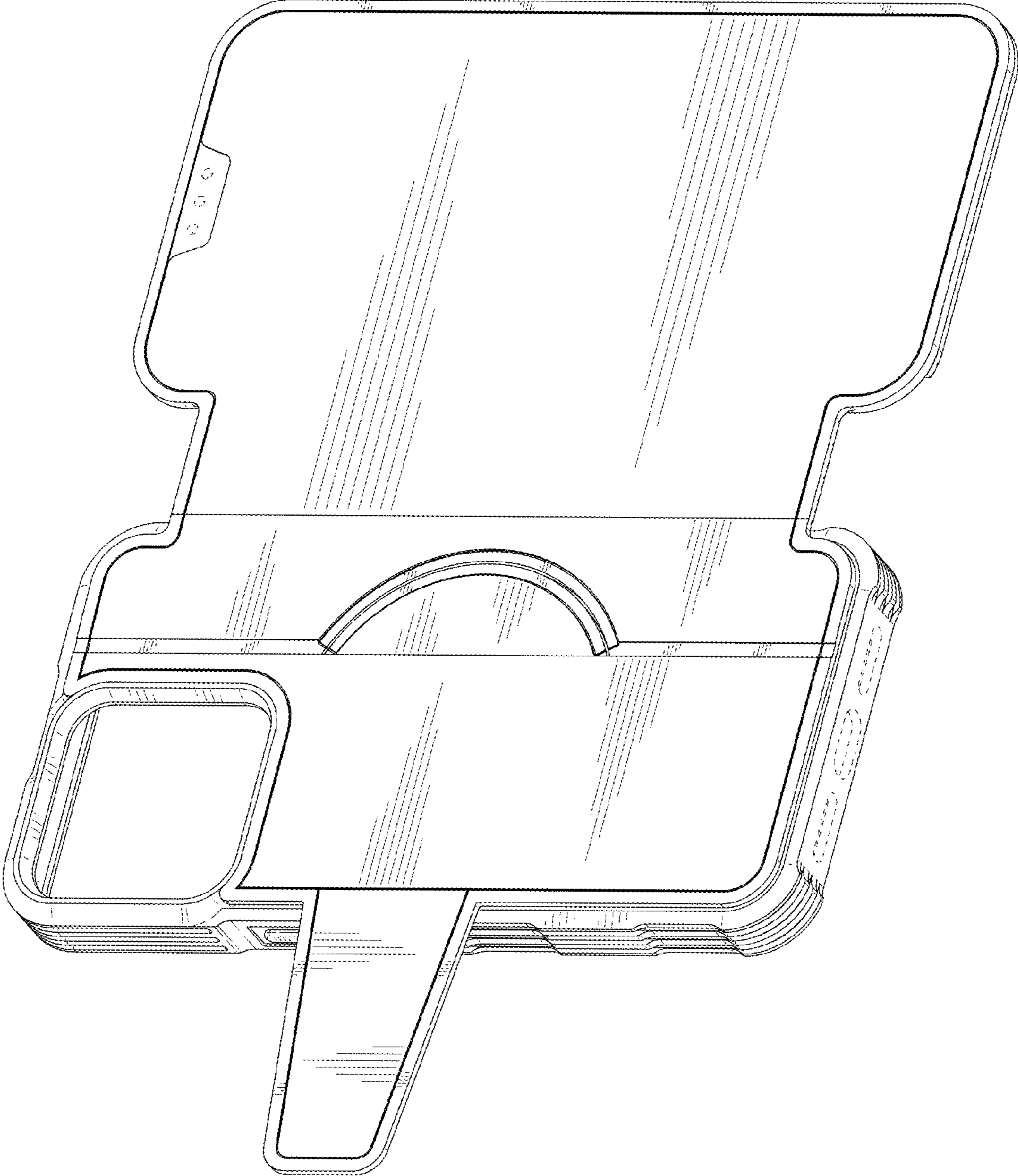


FIG. 2



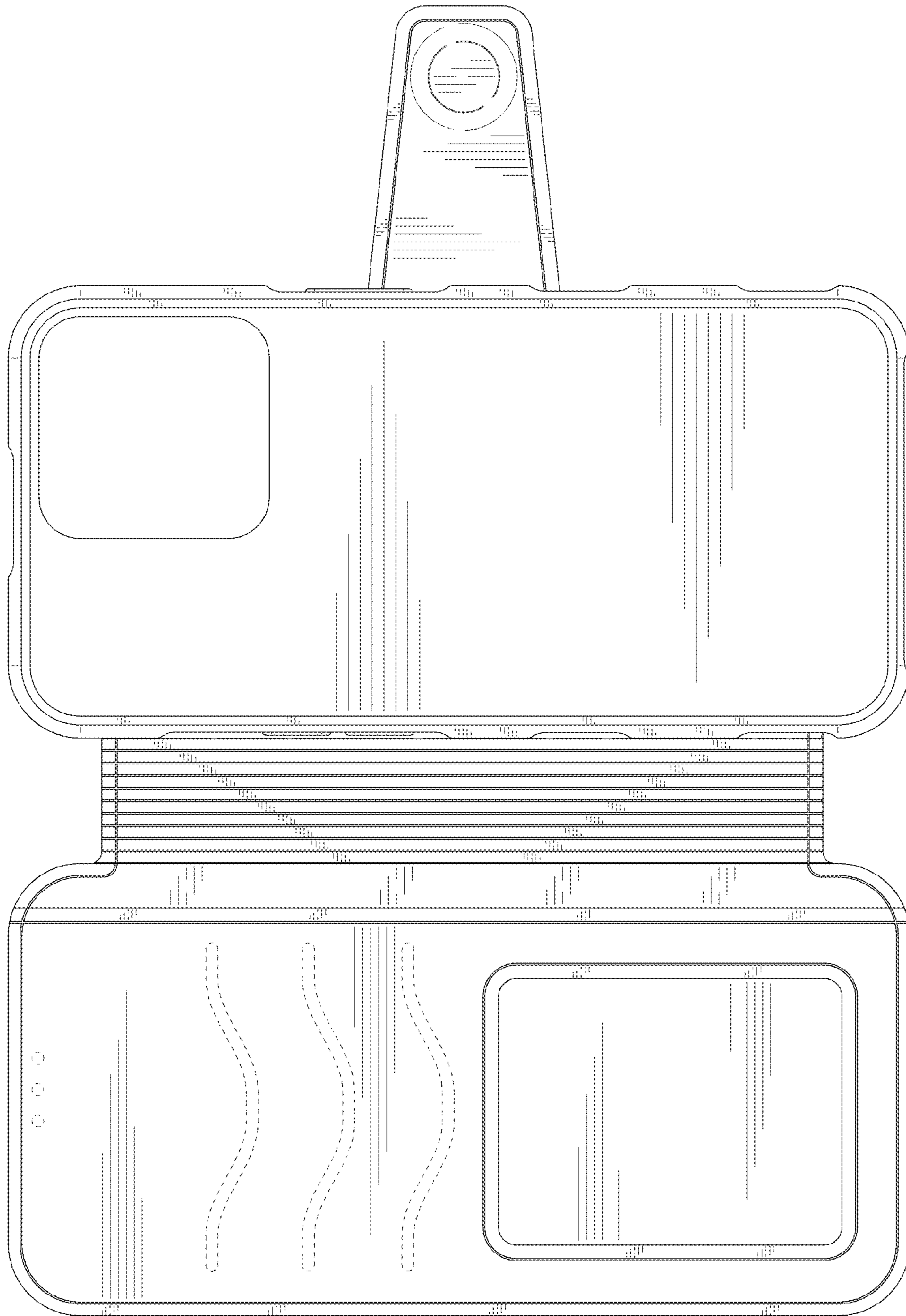


FIG. 3

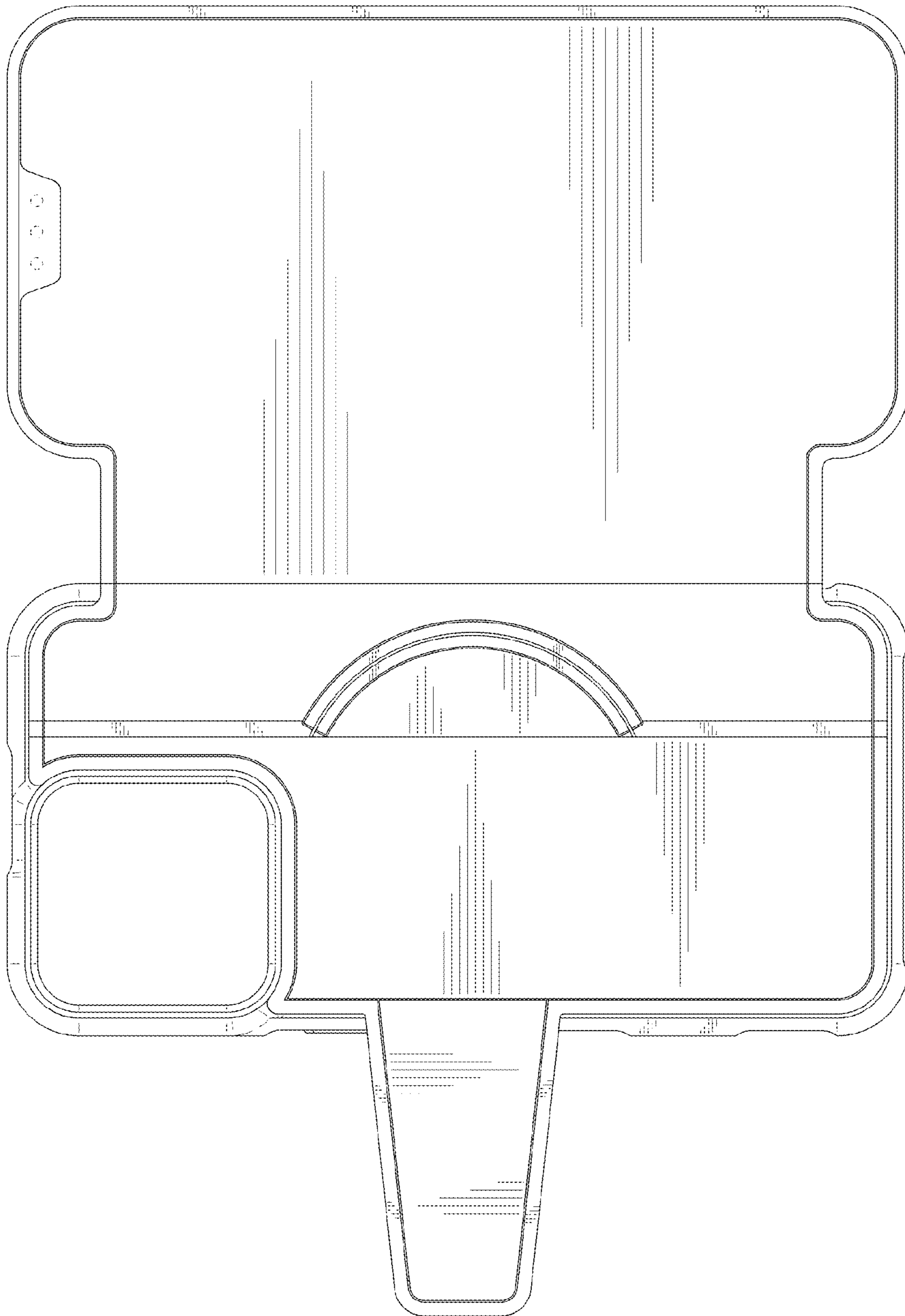


FIG. 4

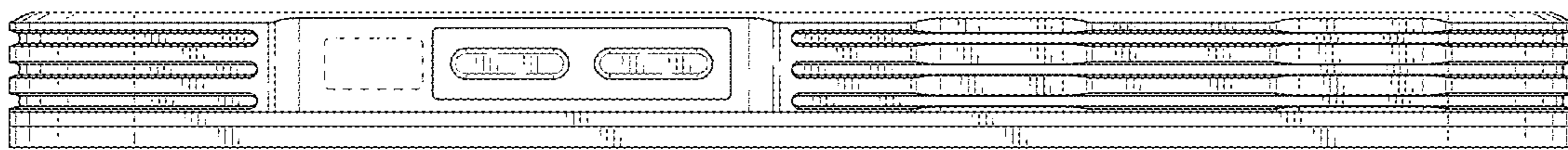


FIG. 5

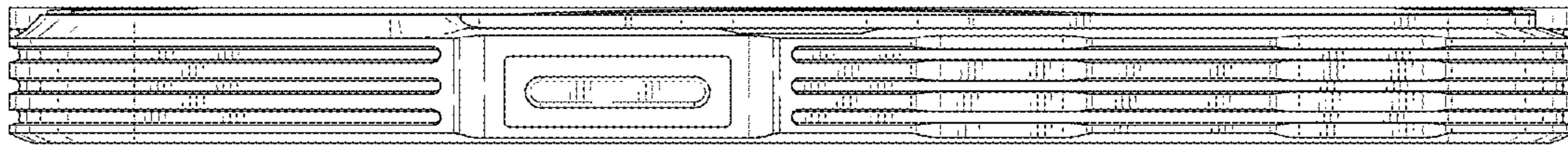


FIG. 6

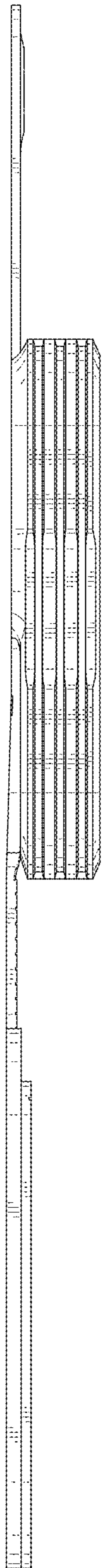


FIG. 7



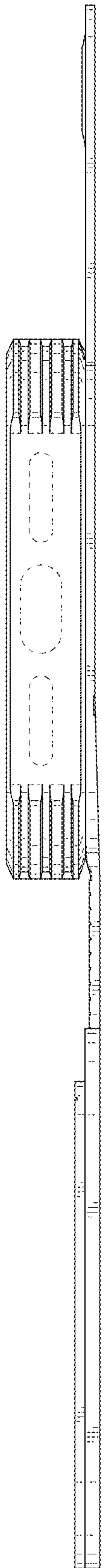


FIG. 8

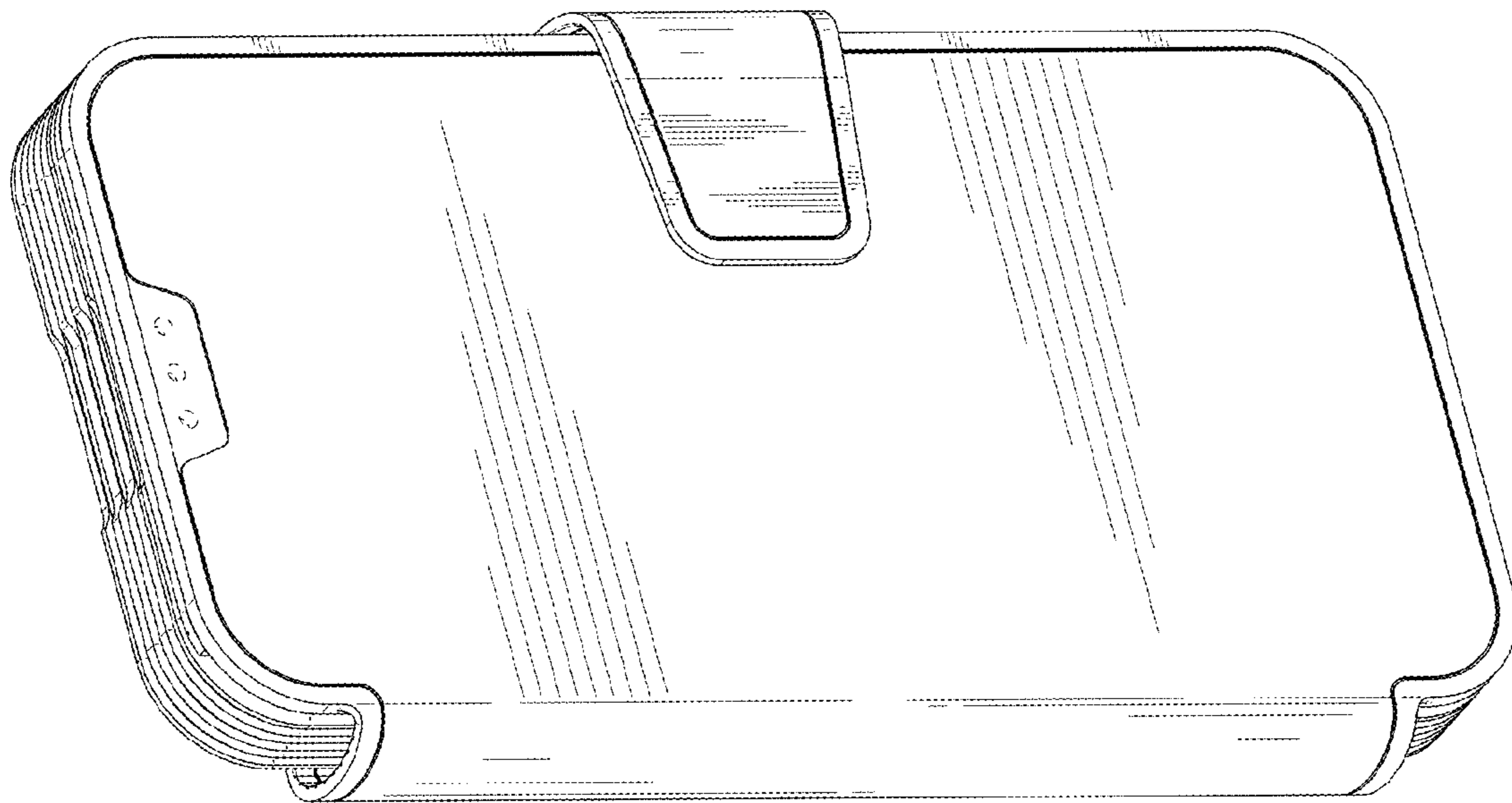


FIG. 9

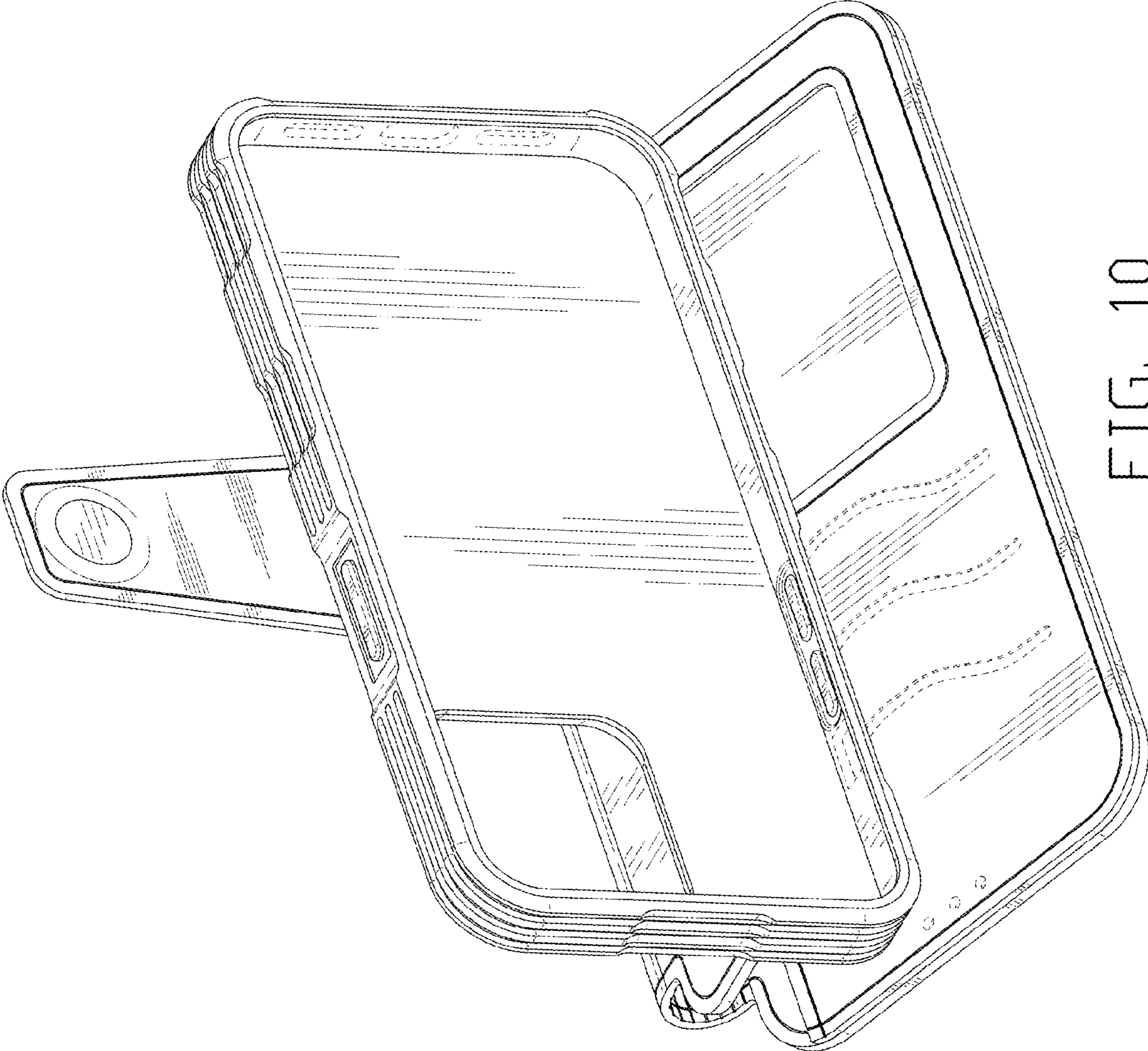


FIG. 10