



US00D984422S

(12) **United States Design Patent**
Ma

(10) **Patent No.:** **US D984,422 S**
(45) **Date of Patent:** **** Apr. 25, 2023**

(54) **EARPHONES AND CHARGING CASE SET**

FOREIGN PATENT DOCUMENTS

(71) Applicant: **SHENZHEN NA YIN TECHNOLOGY CO., LTD.**, Shenzhen (CN)

EM 007811294-0001 * 4/2020
EM 008280168-0001 * 11/2020

(Continued)

Primary Examiner — Paula Allen Greene

(72) Inventor: **Shaowu Ma**, Shenzhen (CN)

(57) **CLAIM**

(73) Assignee: **SHENZHEN NA YIN TECHNOLOGY CO., LTD.**, Shenzhen (CN)

The ornamental design for earphones and charging case set, as shown and described.

DESCRIPTION

(**) Term: **15 Years**

FIG. 1 is a perspective view of earphones and charging case set, shown separately for ease of illustration; FIG. 2 is another perspective view thereof; FIG. 3 is a front elevational view thereof; FIG. 4 is a rear elevational view thereof; FIG. 5 is a left side elevational view thereof; FIG. 6 is a right side elevational view thereof; FIG. 7 is a top plan view thereof; FIG. 8 is a bottom plan view thereof; FIG. 9 is a perspective view of a charging case of the earphones and charging case set, shown separately for ease of illustration and in an open configuration; FIG. 10 is another perspective view thereof; FIG. 11 is a front elevational view thereof; FIG. 12 is a rear elevational view thereof; FIG. 13 is a left side elevational view thereof; FIG. 14 is a right side elevational view thereof; FIG. 15 is a top plan view thereof; FIG. 16 is a bottom plan view thereof; FIG. 17 is a perspective view of the earphones and charging case set, shown in use with the earphones received in the charging case; and, FIG. 18 is a perspective view of the charging case of the earphones and charging case set, shown separately for ease of illustration and in a closed configuration. The broken lines in the drawings depict portions of the earphones and charging case set that form no part of the claimed design.

(21) Appl. No.: **29/803,310**

(22) Filed: **Aug. 12, 2021**

(51) **LOC (14) Cl.** **14-01**

(52) **U.S. Cl.**
USPC **D14/223**

(58) **Field of Classification Search**
USPC D14/223, 205; D13/108, 107; D3/201, D3/294, 274, 295, 289; D9/420, 430, D9/435, 521, 529, 424, 571, 447; D28/66, 76, 82, 73, 78, 88; 381/380–381, 322, 328; 132/315, 294
CPC H04R 1/10; H04R 25/00; H04R 25/02; H04R 1/1066; H04R 1/1025; H04R 1/1041; H04R 1/105; H04B 1/02; B65D 43/165; B65D 43/16; A45D 33/24
See application file for complete search history.

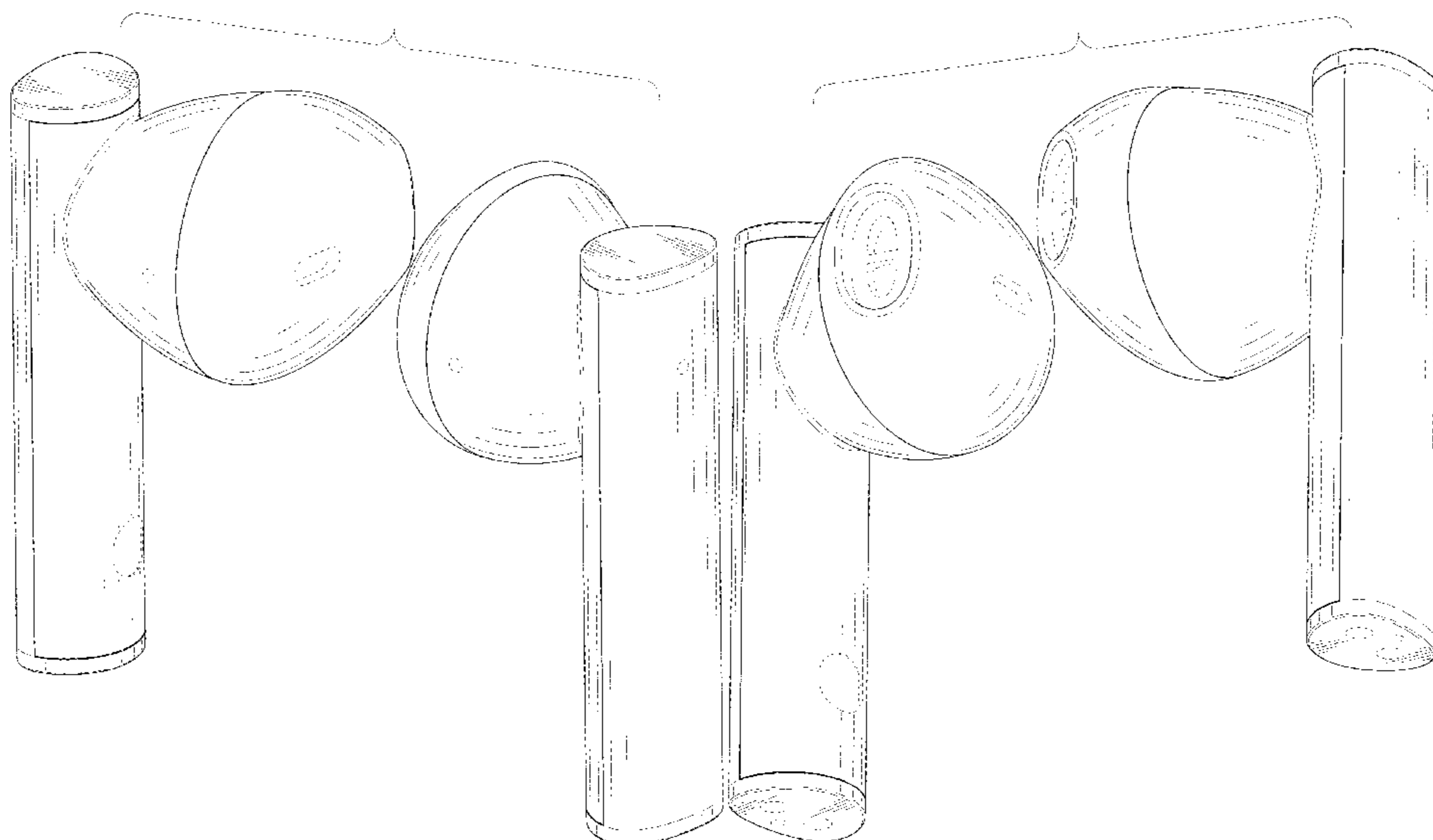
(56) **References Cited**

U.S. PATENT DOCUMENTS

D347,389 S * 5/1994 Crawford D9/571
D356,828 S * 3/1995 Harris D9/566
D396,860 S * 8/1998 Yasutomi D14/188
D402,105 S * 12/1998 Erickson D3/215

(Continued)

1 Claim, 18 Drawing Sheets



(56)

References Cited

U.S. PATENT DOCUMENTS

6,935,507 B1 * 8/2005 Mecca A45D 40/222
 206/823
 D510,461 S * 10/2005 Vu D28/66
 D541,173 S * 4/2007 Karussi D9/734
 D606,307 S * 12/2009 Gauss D3/215
 D683,902 S * 6/2013 Zotalis D28/76
 D720,096 S * 12/2014 McDougall D28/66
 D733,101 S * 6/2015 Pi D14/223
 D736,185 S * 8/2015 Yaegashi D14/223
 D752,542 S * 3/2016 Lamar D14/205
 D762,623 S * 8/2016 Gondo D14/223
 D798,844 S * 10/2017 Nokuo D14/223
 D806,388 S * 1/2018 Akana D3/294
 D818,268 S * 5/2018 Akana D3/294
 D826,152 S * 8/2018 Christiansen D13/108
 D849,401 S * 5/2019 Akana D3/274
 D853,357 S * 7/2019 Li D14/217
 D878,337 S * 3/2020 Yang D14/223
 D881,572 S * 4/2020 Wang D3/294
 D882,259 S * 4/2020 Liu D3/269
 D885,373 S * 5/2020 Lundbäck D14/223
 D886,453 S * 6/2020 Wright D3/294
 10,701,472 B1 * 6/2020 Xu H02J 7/0044
 D889,439 S * 7/2020 Hsieh D14/223
 D893,185 S * 8/2020 Liu D3/294
 D895,582 S * 9/2020 Wu D14/223
 D896,788 S * 9/2020 Akana D14/223
 D897,678 S * 10/2020 Koh D3/294
 D897,997 S * 10/2020 Zhang D14/223
 D900,065 S * 10/2020 Distefano D14/223
 D901,457 S * 11/2020 Zhang D14/223
 D902,588 S * 11/2020 Zhang D3/294
 D903,639 S * 12/2020 Yang D14/223
 D904,023 S * 12/2020 Wang D14/223
 D911,027 S * 2/2021 Liang D3/274
 D914,652 S * 3/2021 Chen D14/223
 D918,178 S * 5/2021 Chen D14/223
 D918,179 S * 5/2021 Zhao D14/223
 D920,291 S * 5/2021 Hou D14/223
 D922,946 S * 6/2021 Chen D3/294
 D923,609 S * 6/2021 Li D14/223
 D924,851 S * 7/2021 Li D14/223
 D925,500 S * 7/2021 Chen D14/223
 D926,733 S * 8/2021 Wu D14/223
 D927,465 S * 8/2021 Wang D14/223
 D930,361 S * 9/2021 Jacobs D3/294
 D931,605 S * 9/2021 Zhu D3/273

D932,428 S * 10/2021 Reimann D3/294
 D933,595 S * 10/2021 Geng D3/294
 D933,636 S * 10/2021 Akana D14/223
 D934,563 S * 11/2021 Xiang D3/294
 D934,839 S * 11/2021 Zhong D14/223
 D935,772 S * 11/2021 Chen D3/294
 D936,637 S * 11/2021 Lai D14/223
 D941,762 S * 1/2022 Ye D3/294
 D942,424 S * 2/2022 Ye D14/223
 D943,555 S * 2/2022 Deng D14/223
 D944,779 S * 3/2022 Wang D14/223
 D946,517 S * 3/2022 Zhang D14/223
 D947,777 S * 4/2022 Christiansen D13/108
 D948,482 S * 4/2022 Liu D14/223
 D948,484 S * 4/2022 Zhang D14/223
 D950,488 S * 5/2022 Ruan D3/294
 D952,609 S * 5/2022 Akana D14/223
 D953,739 S * 6/2022 Akana D14/223
 D954,645 S * 6/2022 Chen D13/108
 D956,722 S * 7/2022 Zhou D14/223
 D957,367 S * 7/2022 Sun D14/223
 D962,898 S * 9/2022 Deng D14/223
 D963,613 S * 9/2022 Huang D14/223
 D967,802 S * 10/2022 Zhang D14/223
 D967,803 S * 10/2022 Zhao D14/223
 D977,461 S * 2/2023 Lin D14/223
 D977,836 S * 2/2023 Rong D14/223
 2012/0237074 A1 * 9/2012 Aase H04R 1/1058
 29/858
 2013/0004011 A1 * 1/2013 Hayashida H04R 1/345
 381/380
 2013/0336495 A1 * 12/2013 Burgett A61B 5/6817
 381/74
 2019/0069066 A1 * 2/2019 Song E05C 19/16
 2020/0068283 A1 * 2/2020 Chou H04R 1/1025
 2020/0107098 A1 * 4/2020 DiFonzo H01F 1/147
 2020/0266640 A1 * 8/2020 Valenzuela H02J 7/0047
 2020/0412143 A1 * 12/2020 Chang H02J 7/0044
 2021/0014603 A1 * 1/2021 Wei G01V 3/088
 2021/0058687 A1 * 2/2021 Liu H02J 50/10
 2021/0266653 A1 * 8/2021 Cao H04R 1/1075
 2021/0274275 A1 * 9/2021 Daniels H04R 1/1025
 2021/0283287 A1 * 9/2021 Goodman A61L 2/26
 2021/0291739 A1 * 9/2021 Kasarla H04N 23/55

FOREIGN PATENT DOCUMENTS

EM 008576037-0001 * 6/2021
 EM 008617104-0001 * 7/2021

* cited by examiner

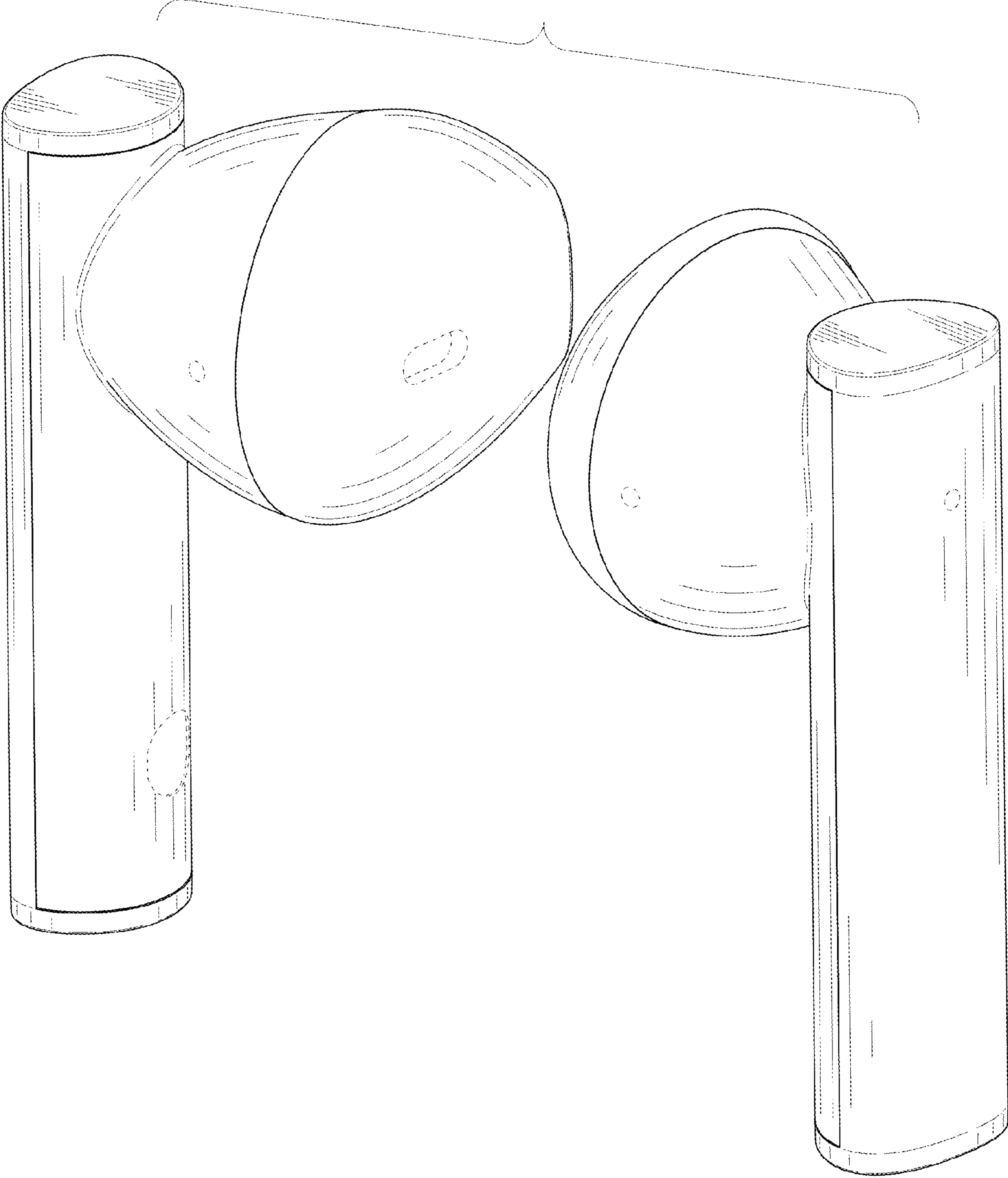


FIG. 1

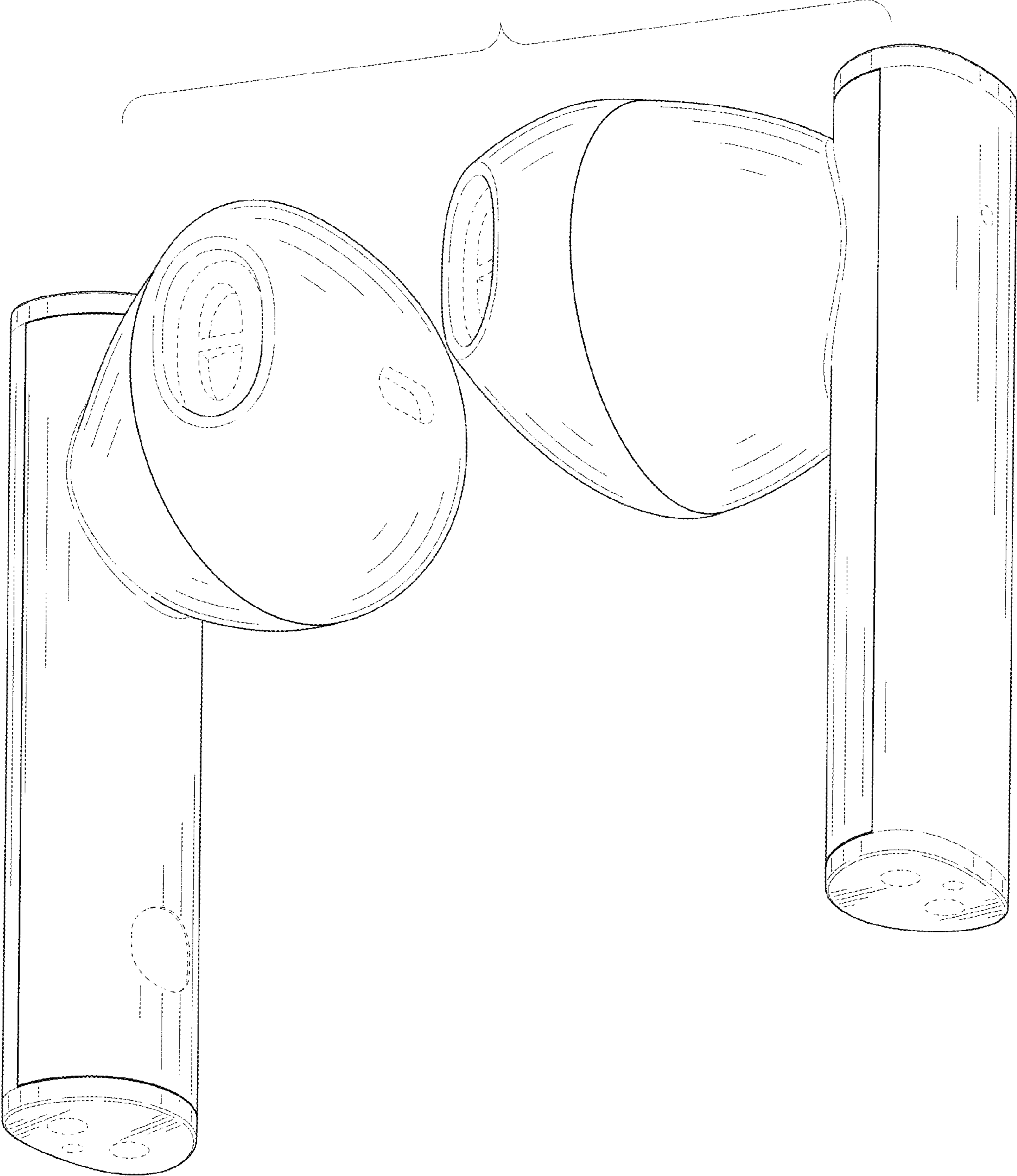


FIG. 2

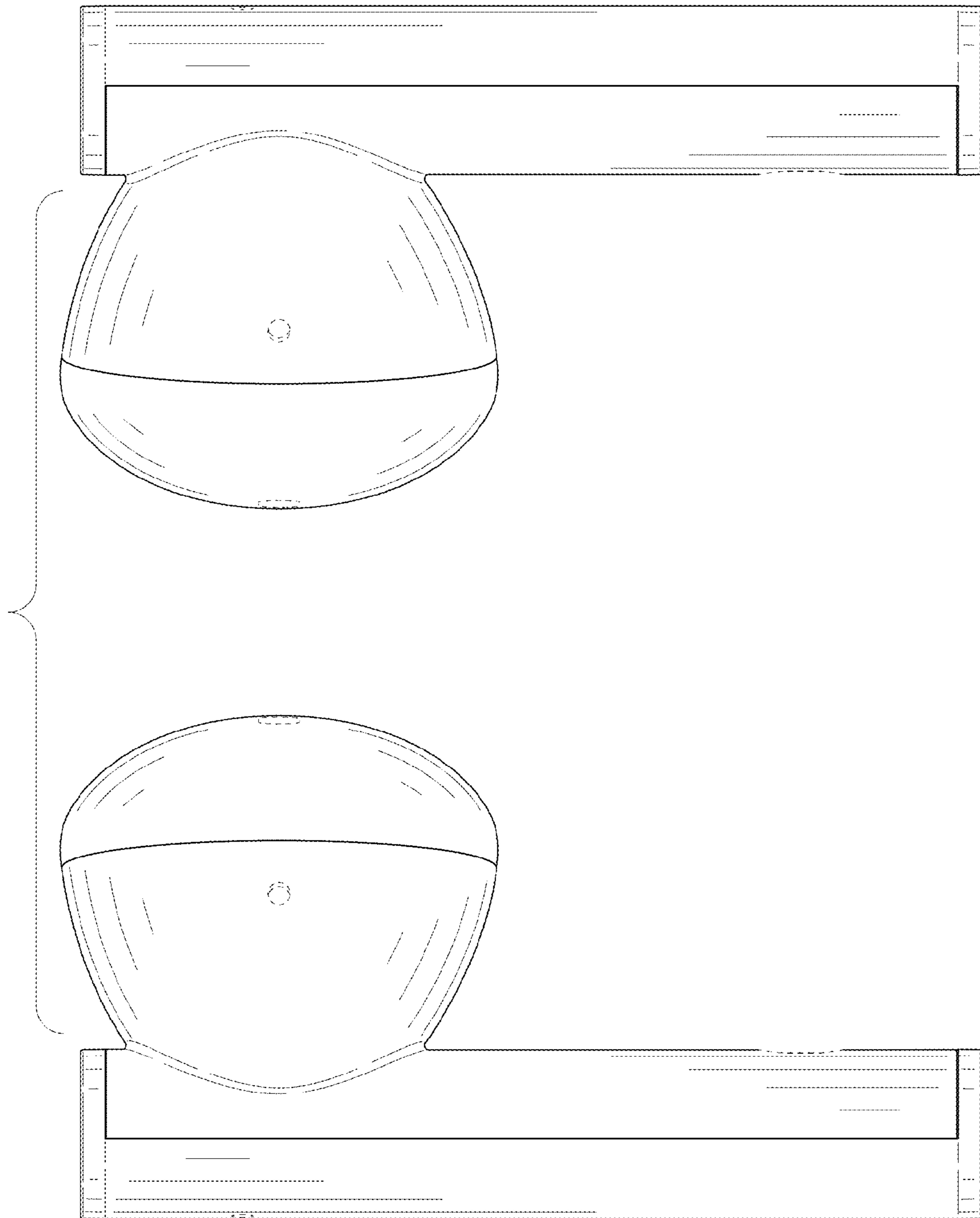


FIG. 3

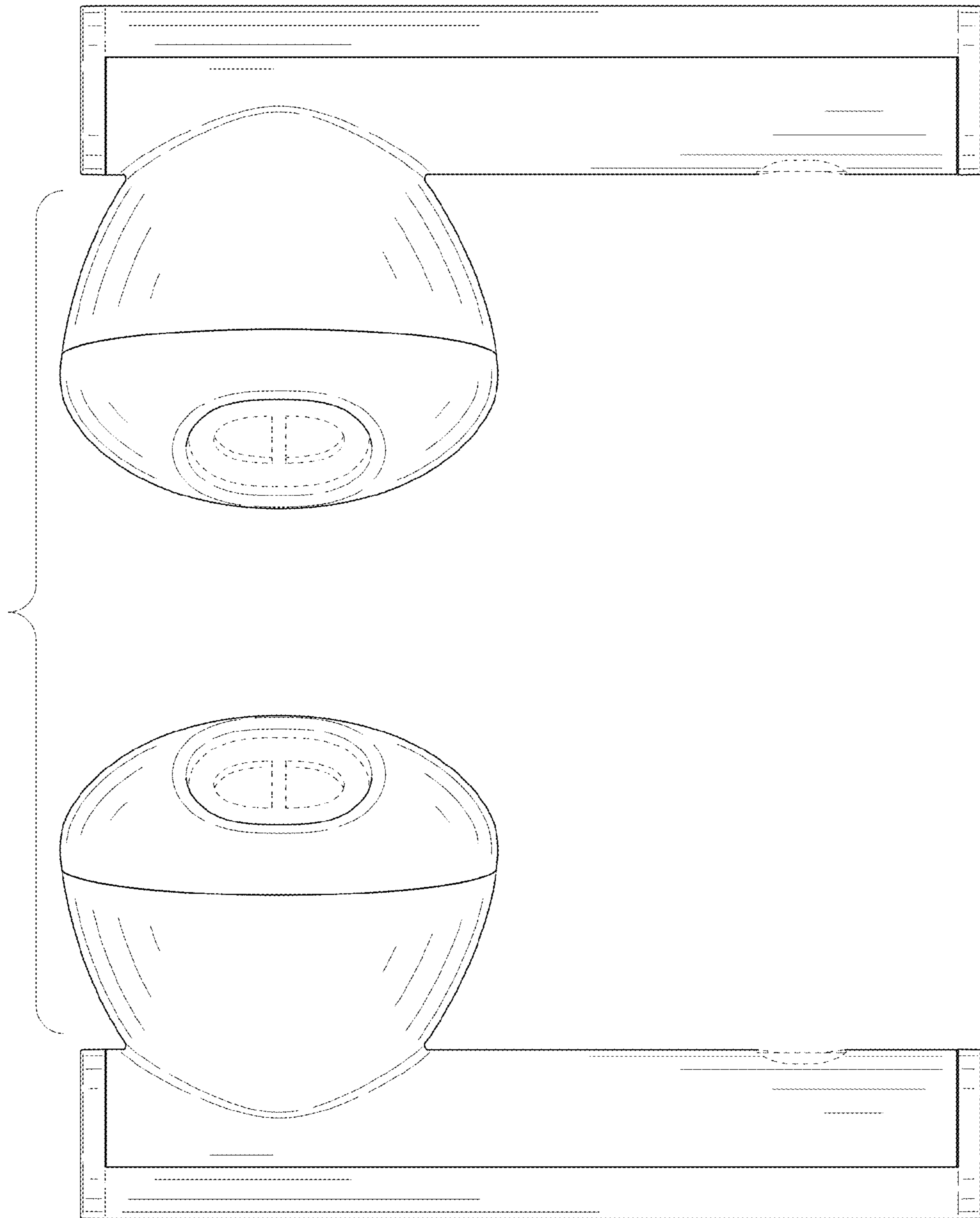


FIG. 4

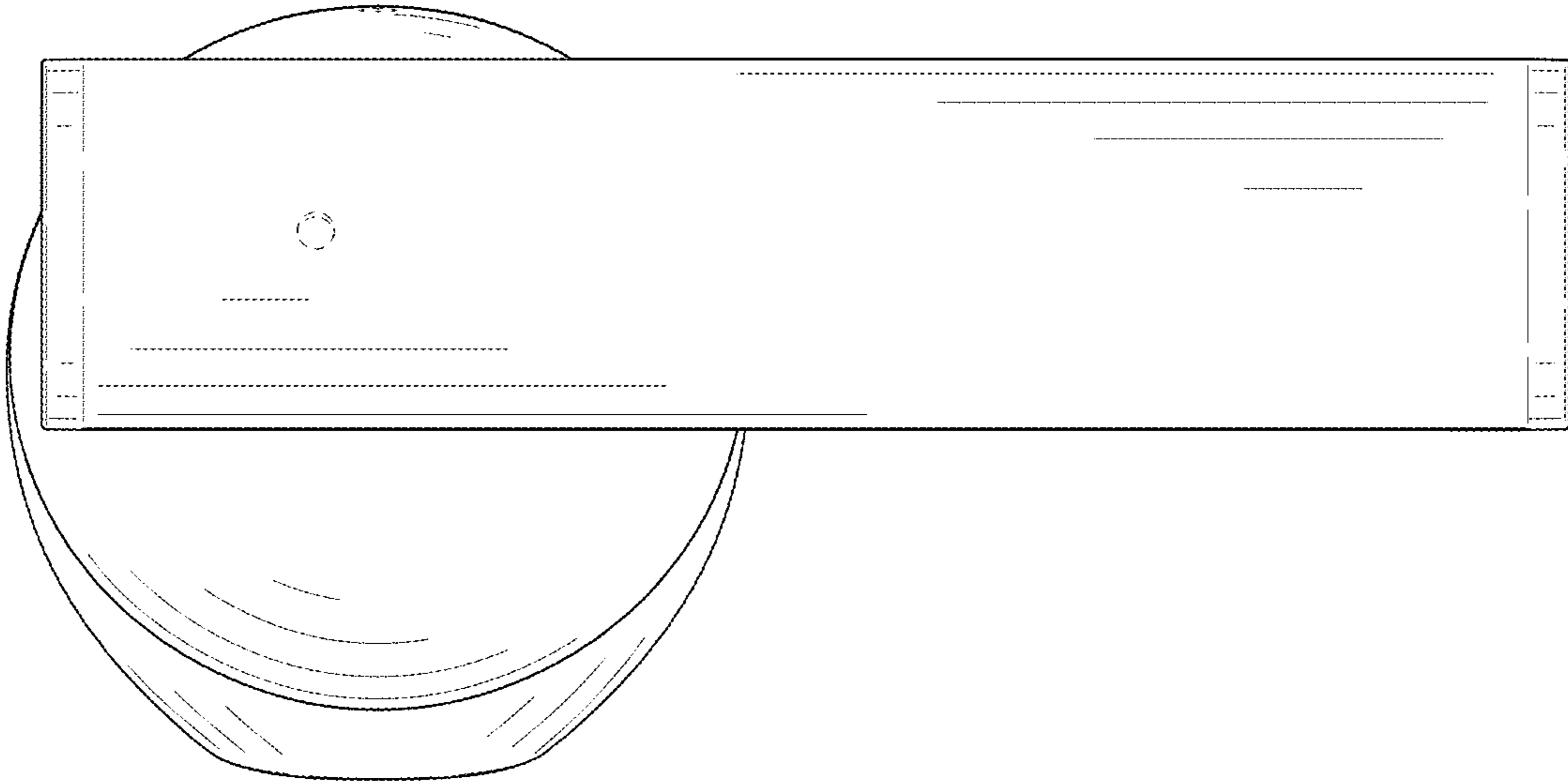


FIG. 5

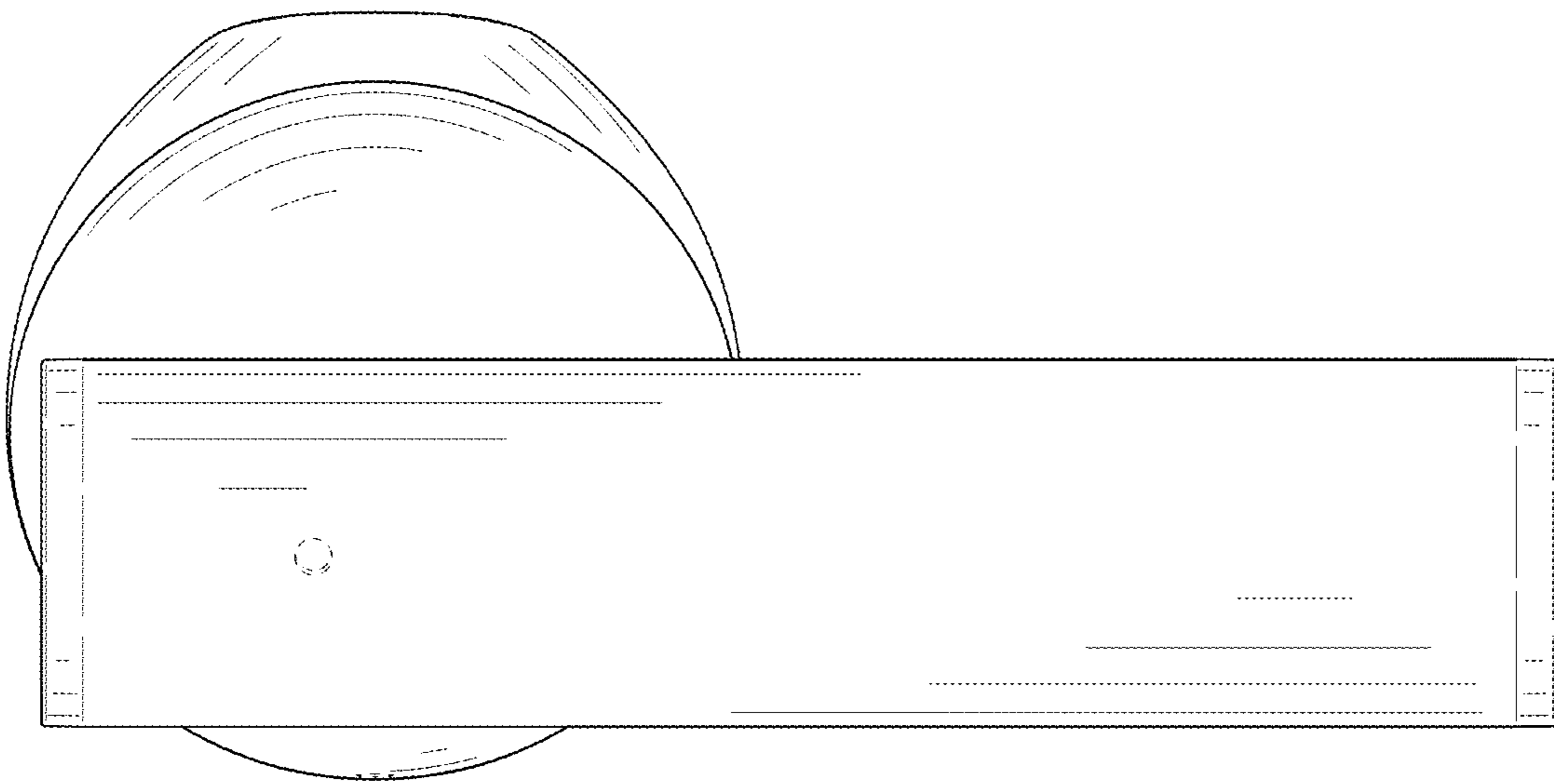


FIG. 6

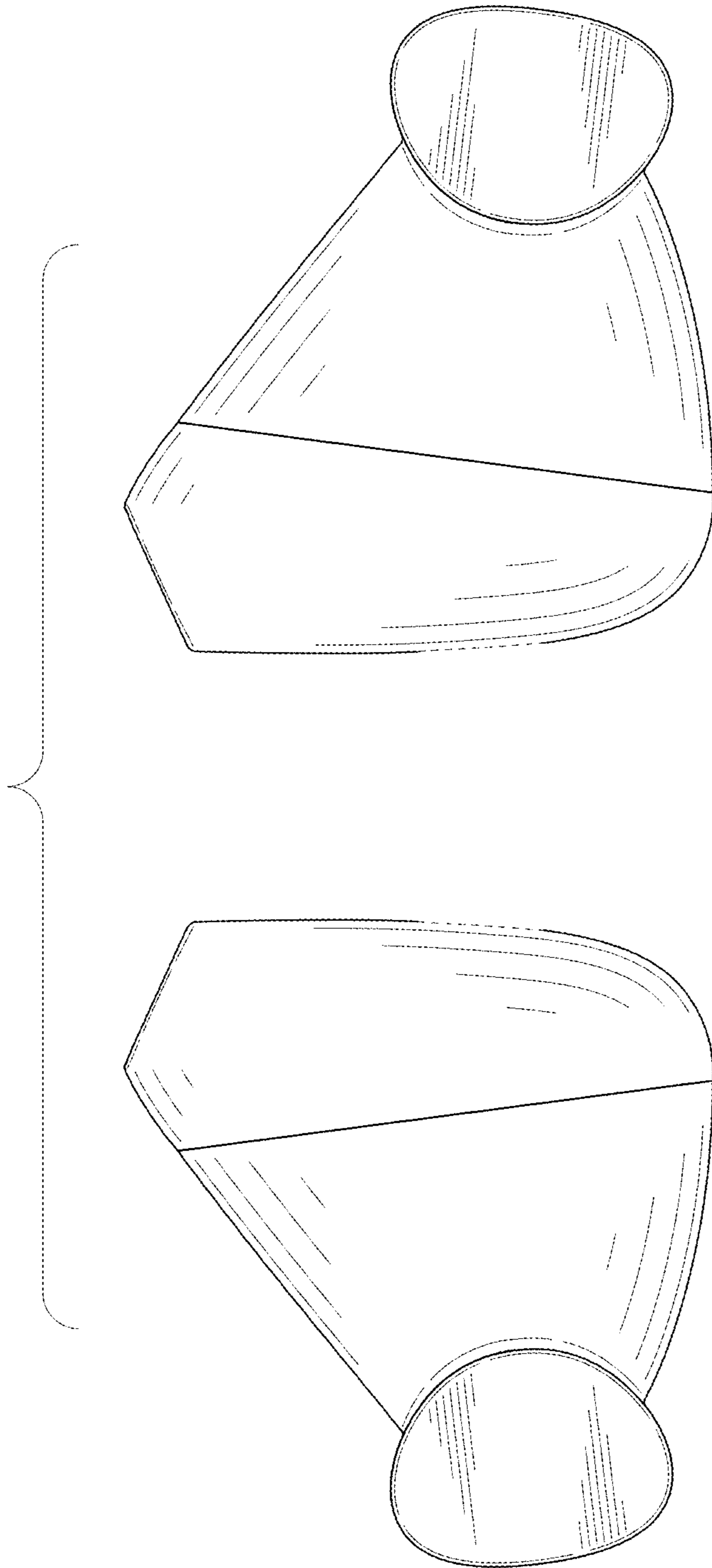


FIG. 7

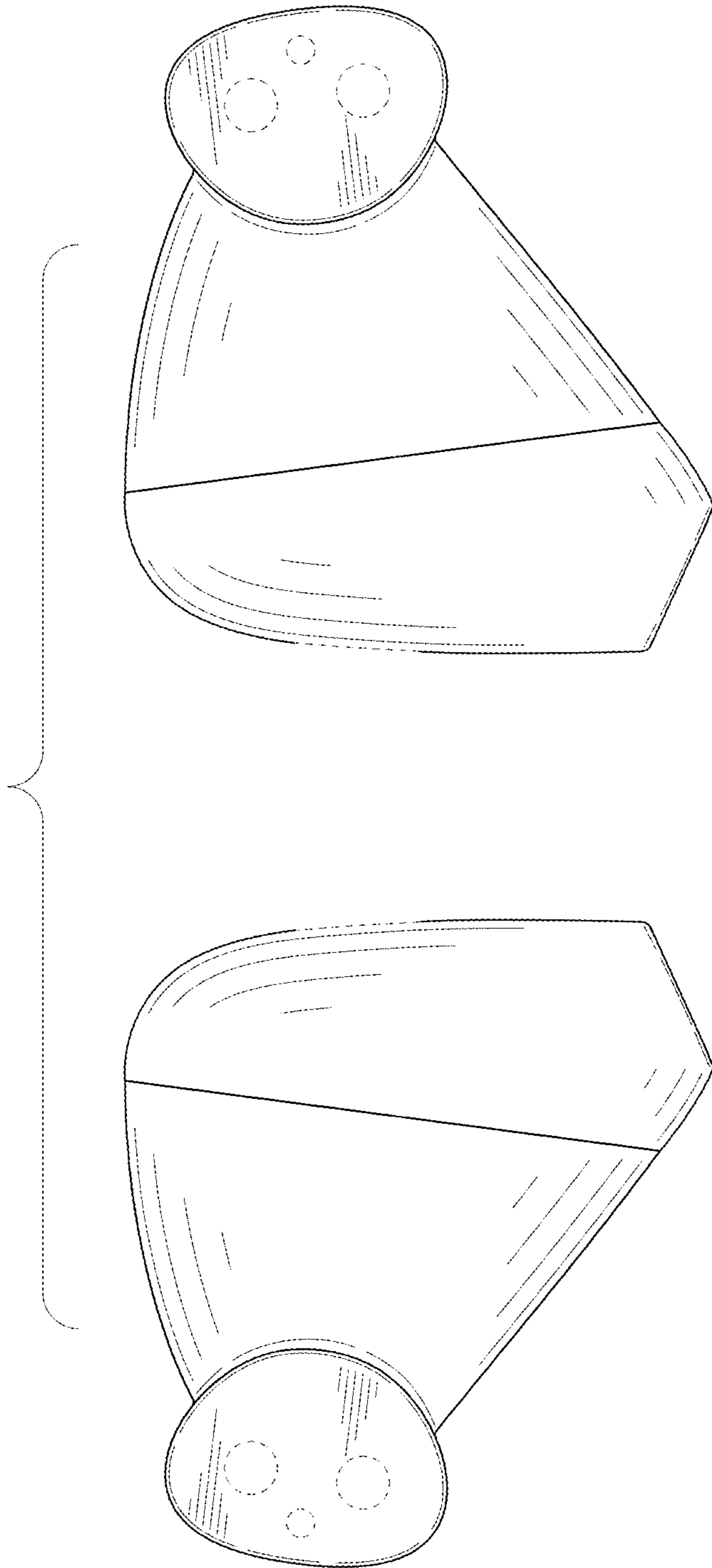


FIG. 8

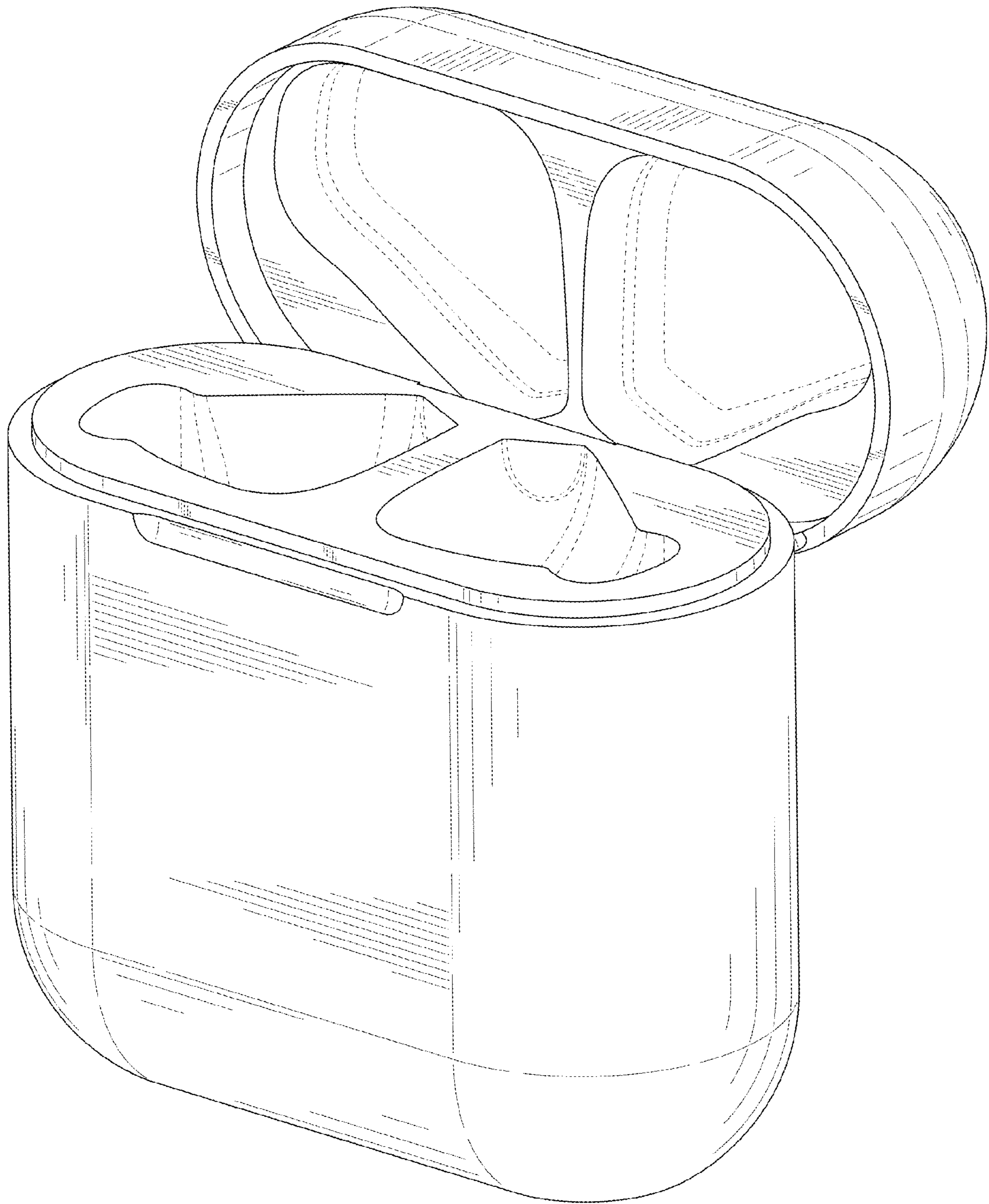


FIG. 9

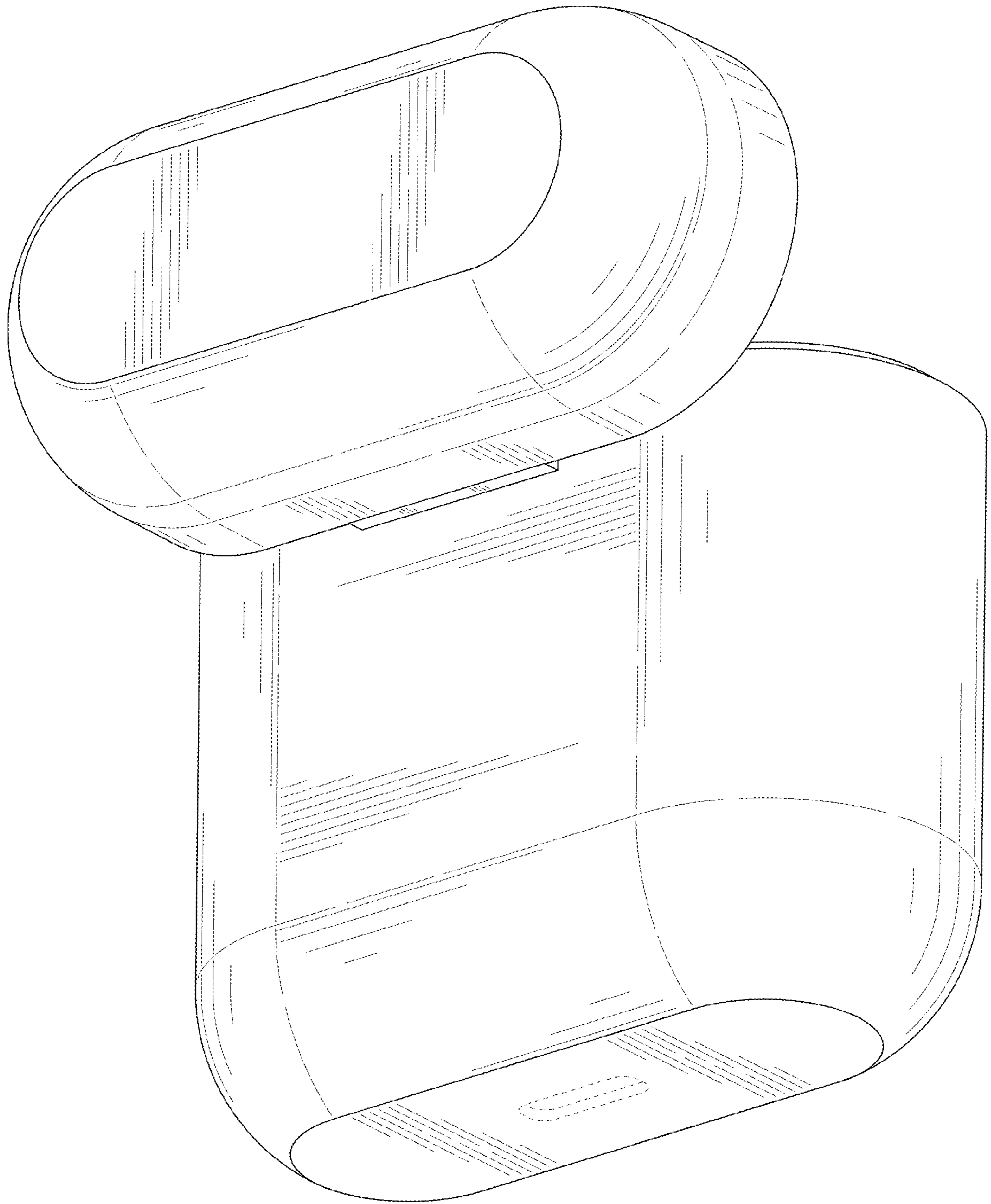


FIG. 10

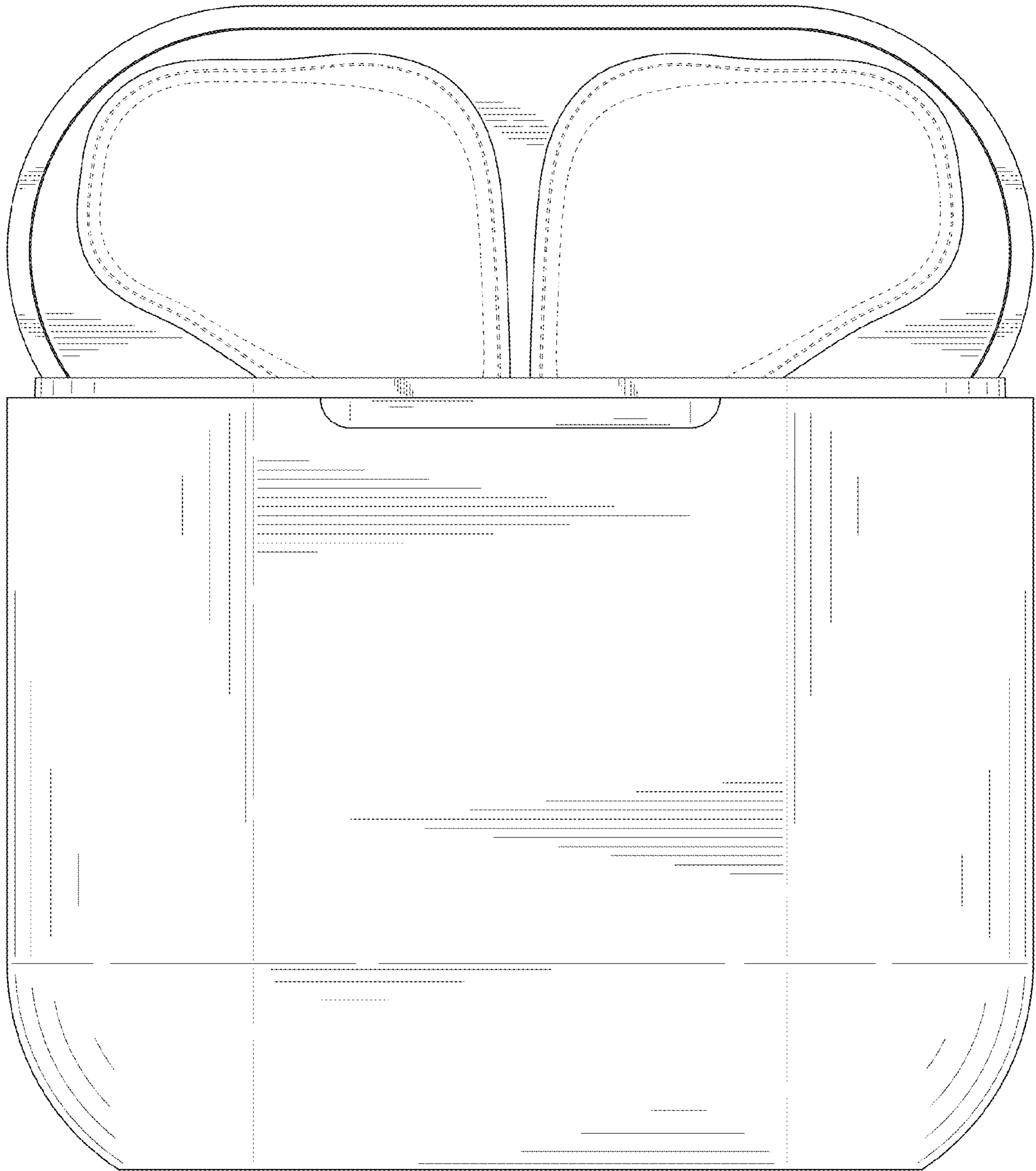


FIG. 11

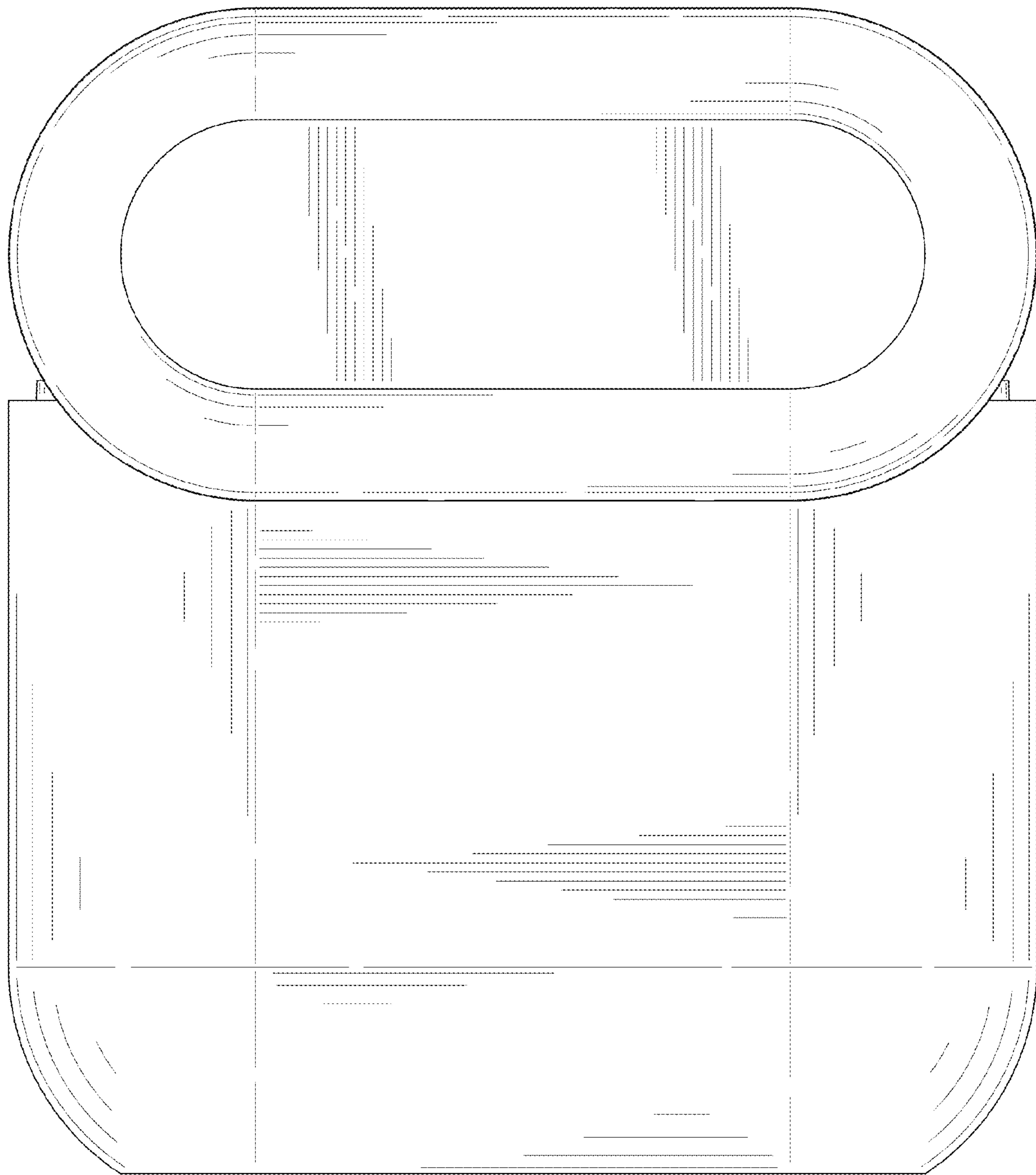


FIG. 12

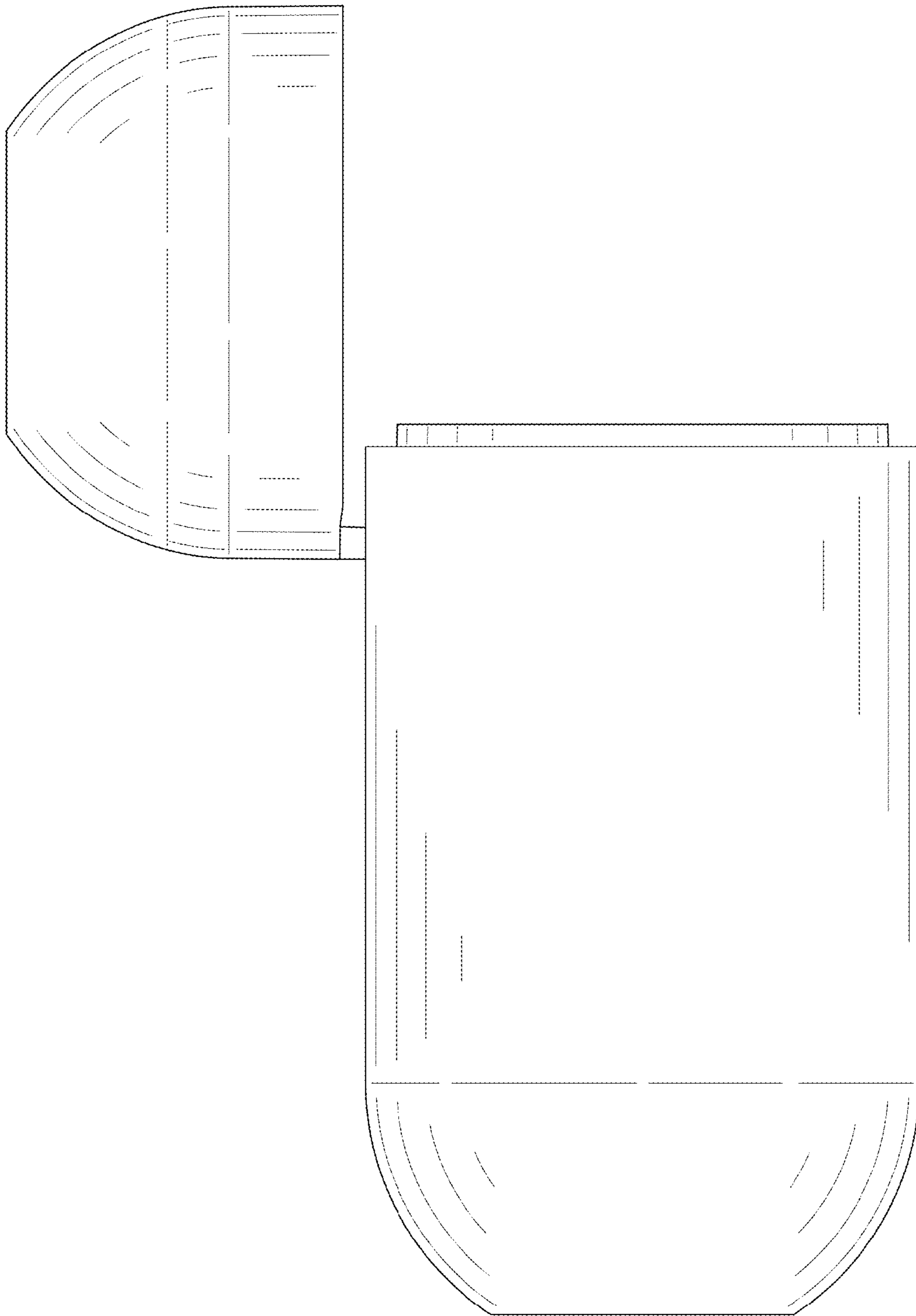


FIG. 13

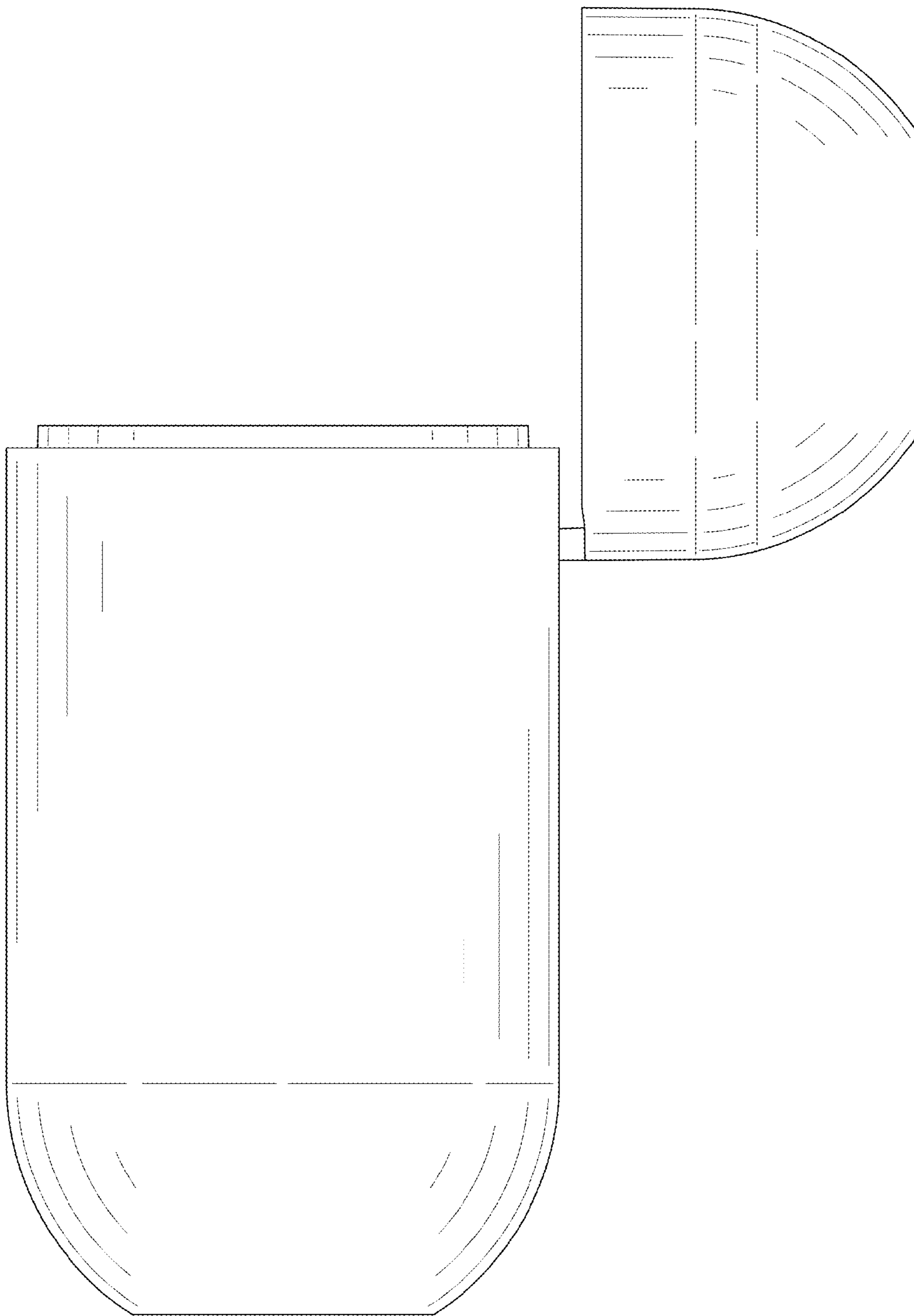


FIG. 14

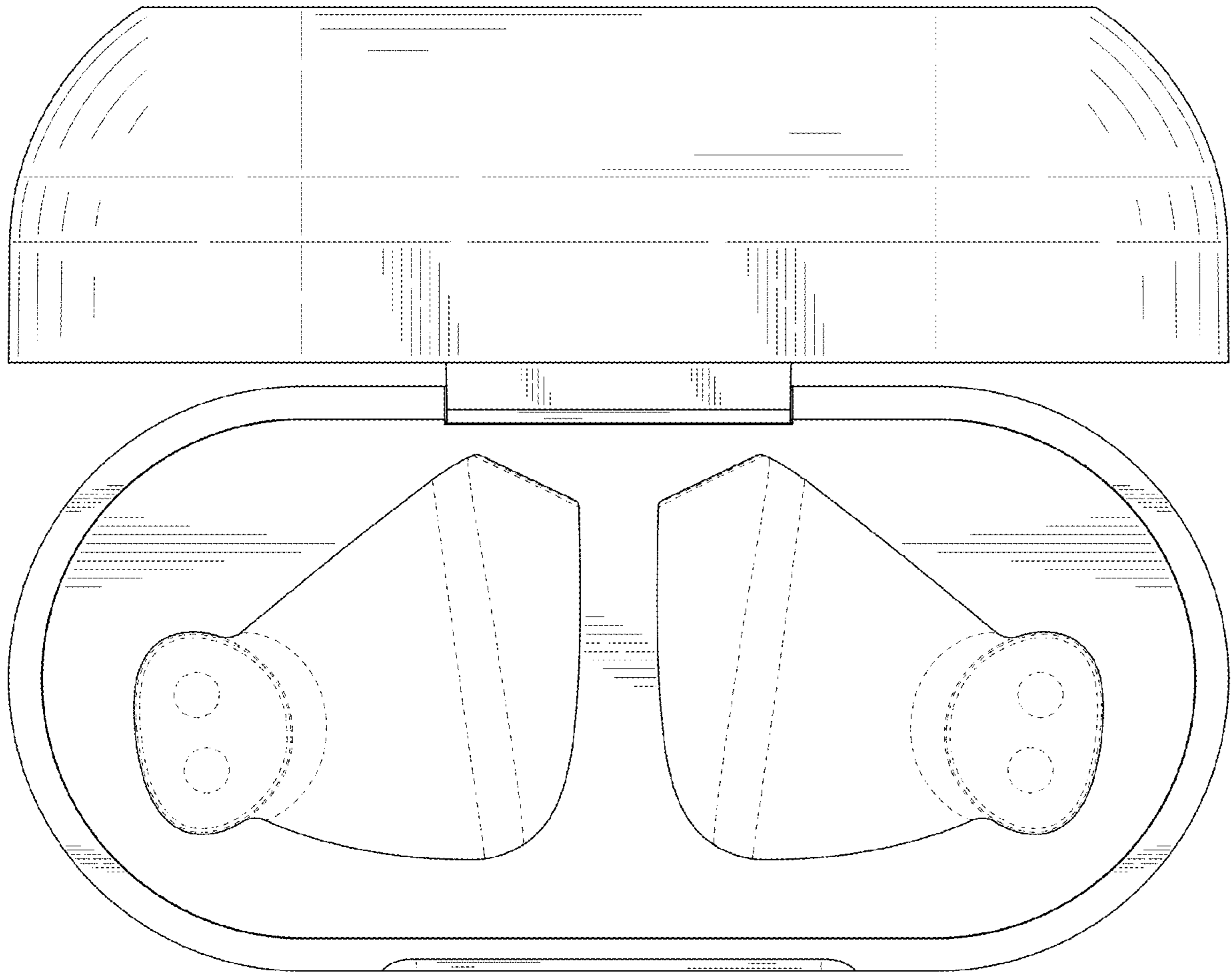


FIG. 15

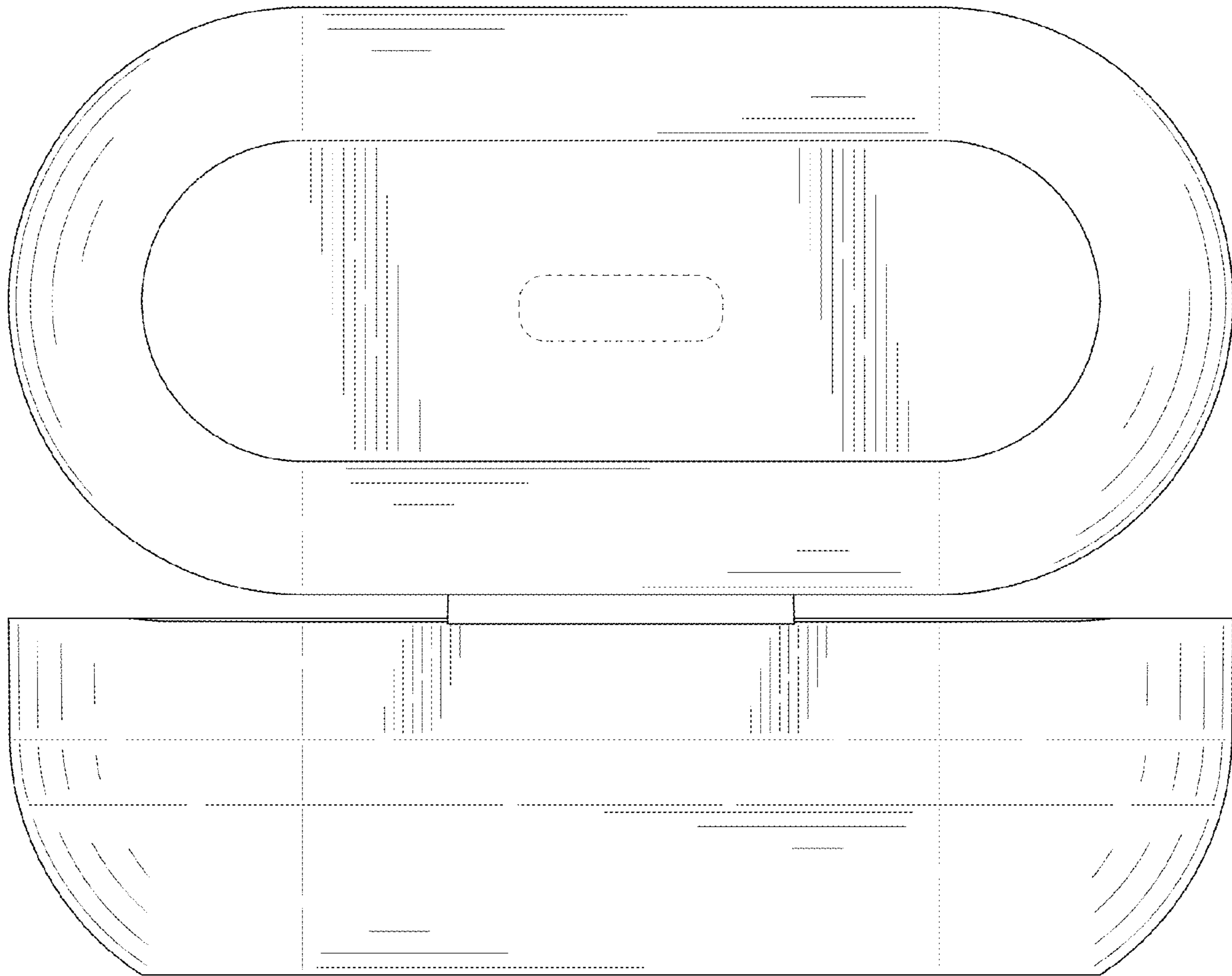


FIG. 16

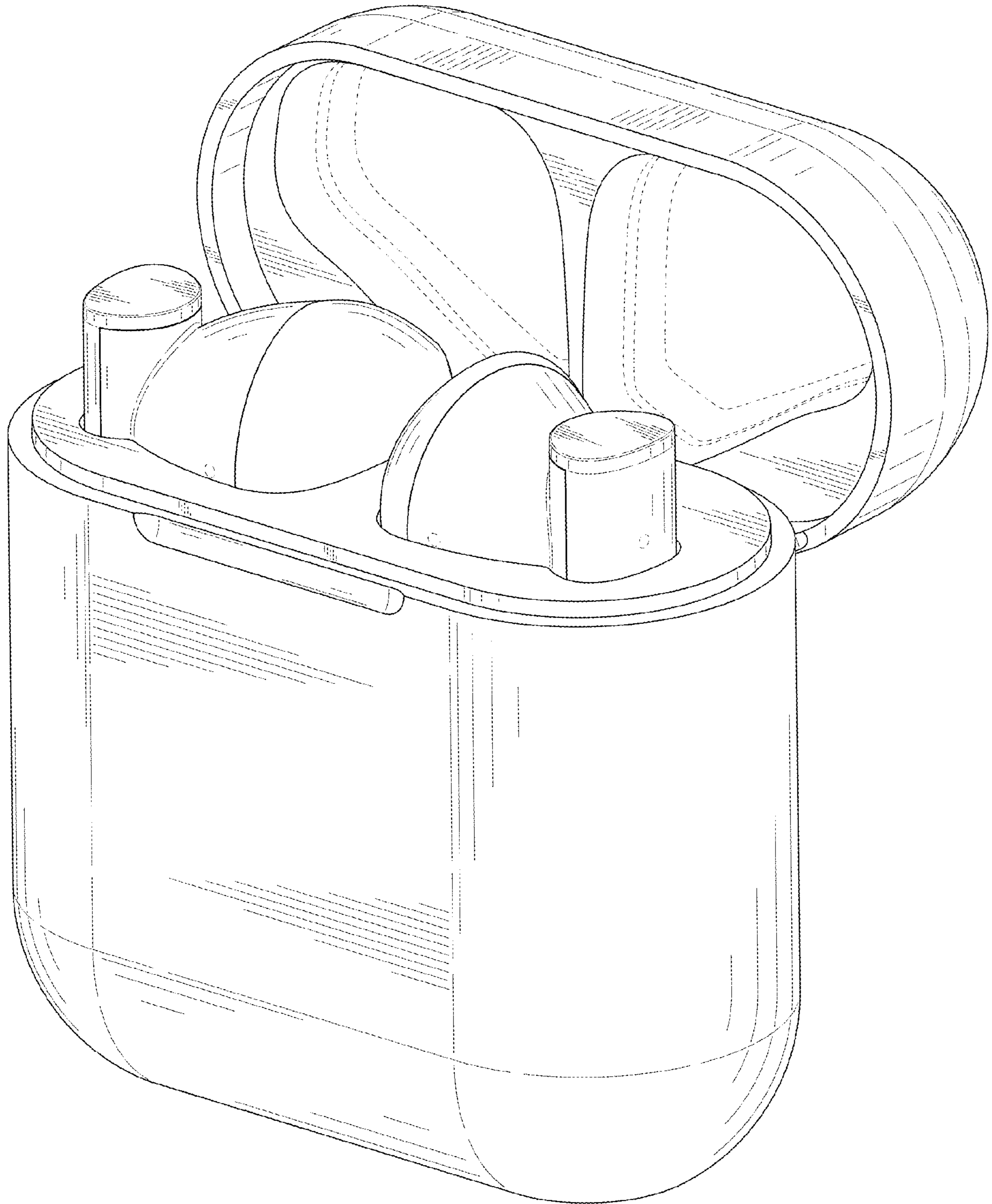


FIG. 17

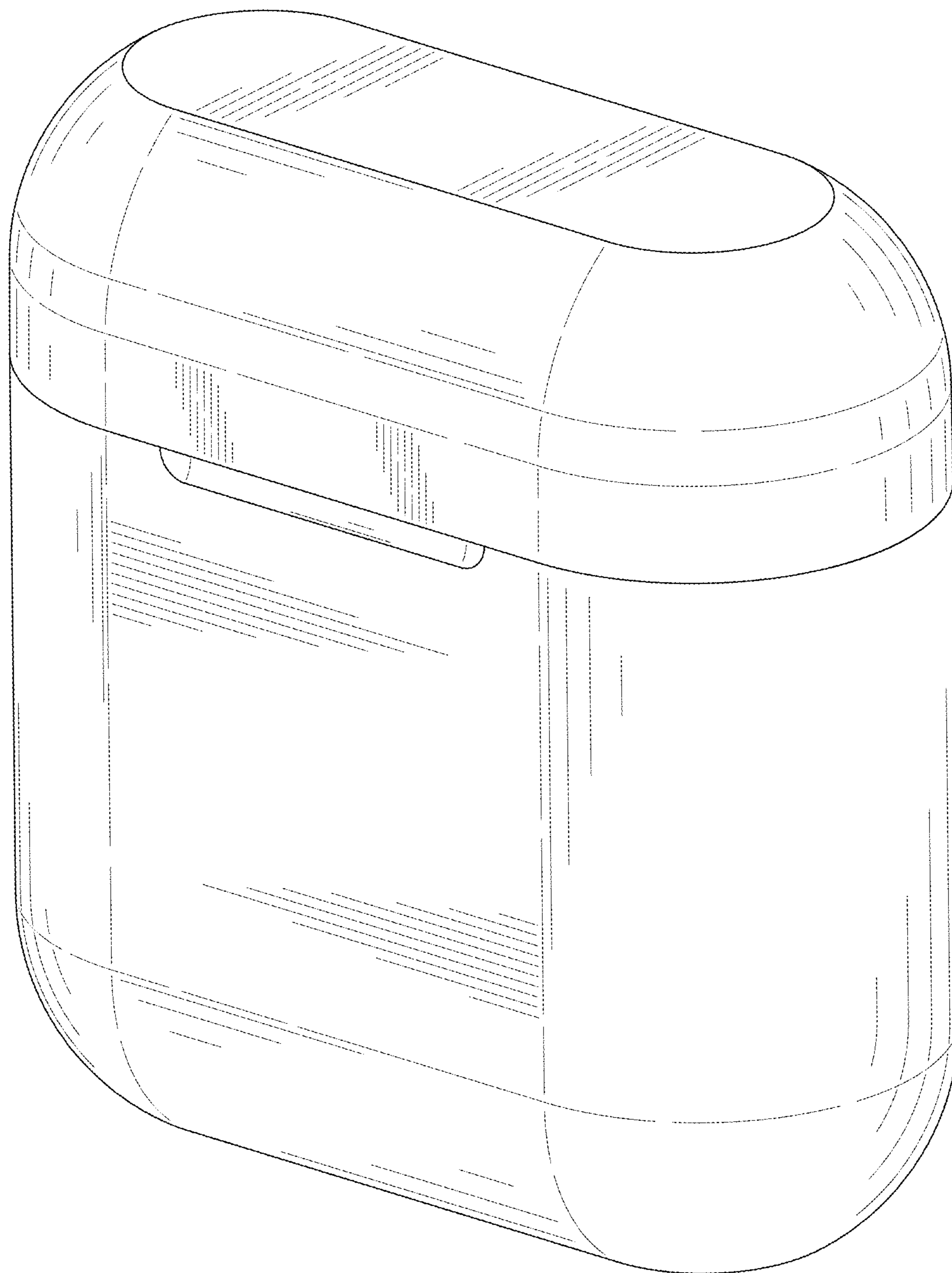


FIG. 18