



US00D984418S

(12) **United States Design Patent**
Wang

(10) **Patent No.:** **US D984,418 S**
(45) **Date of Patent:** **** Apr. 25, 2023**

(54) **PAIR OF EARBUDS**

(71) Applicant: **RAZER (ASIA-PACIFIC) PTE. LTD.**,
Singapore (SG)

(72) Inventor: **Eugene Hanjie Wang**, Singapore (SG)

(73) Assignee: **Razer (Asia-Pacific) Pte. Ltd.**,
Singapore (SG)

(**) Term: **15 Years**

(21) Appl. No.: **29/756,478**

(22) Filed: **Oct. 28, 2020**

(51) **LOC (14) Cl.** **14-01**

(52) **U.S. Cl.**
USPC **D14/223**

(58) **Field of Classification Search**
USPC D14/204, 205, 206, 223, 224, 225, 249,
D14/372, 433, 138 R, 188, 192, 172,
D14/203.1, 191, 496; D29/112; D28/41;
D13/118, 108, 119
CPC H04R 25/00; H04R 25/02; H04R 1/10;
H04R 1/1016; H04R 1/105; H04R
1/1083; H04R 1/02; H04R 1/1041; H04R
1/28

See application file for complete search history.

(56) **References Cited**

U.S. PATENT DOCUMENTS

D762,196 S *	7/2016	Hsieh	D14/223
D784,962 S *	4/2017	Yang	D14/223
D817,933 S *	5/2018	Liu	D14/223
D829,193 S *	9/2018	Cai	D14/223
D848,980 S *	5/2019	Kim	D14/223
D861,647 S *	10/2019	Chen	D14/223
D877,722 S *	3/2020	Yang	D14/223
D882,553 S *	4/2020	Wu	D14/223
D888,690 S *	6/2020	Yan	D14/223
D890,724 S *	7/2020	Li	D14/223
D902,588 S *	11/2020	Zhang	D3/294

(Continued)

FOREIGN PATENT DOCUMENTS

CN	306877138	* 10/2021
CN	306991957	* 12/2021
GB	6133671	* 4/2021

OTHER PUBLICATIONS

Razer Hammerhead, first available May 27, 2021 [online], [retrieved Aug. 8, 2022]. Available from the Internet, URL:<<https://a.co/d/0OfSZ1m>>. (Year: 2021).*

(Continued)

Primary Examiner — Dana K Weiland

Assistant Examiner — Russell Carnell Smith, Jr.

(74) *Attorney, Agent, or Firm* — Polsinelli PC

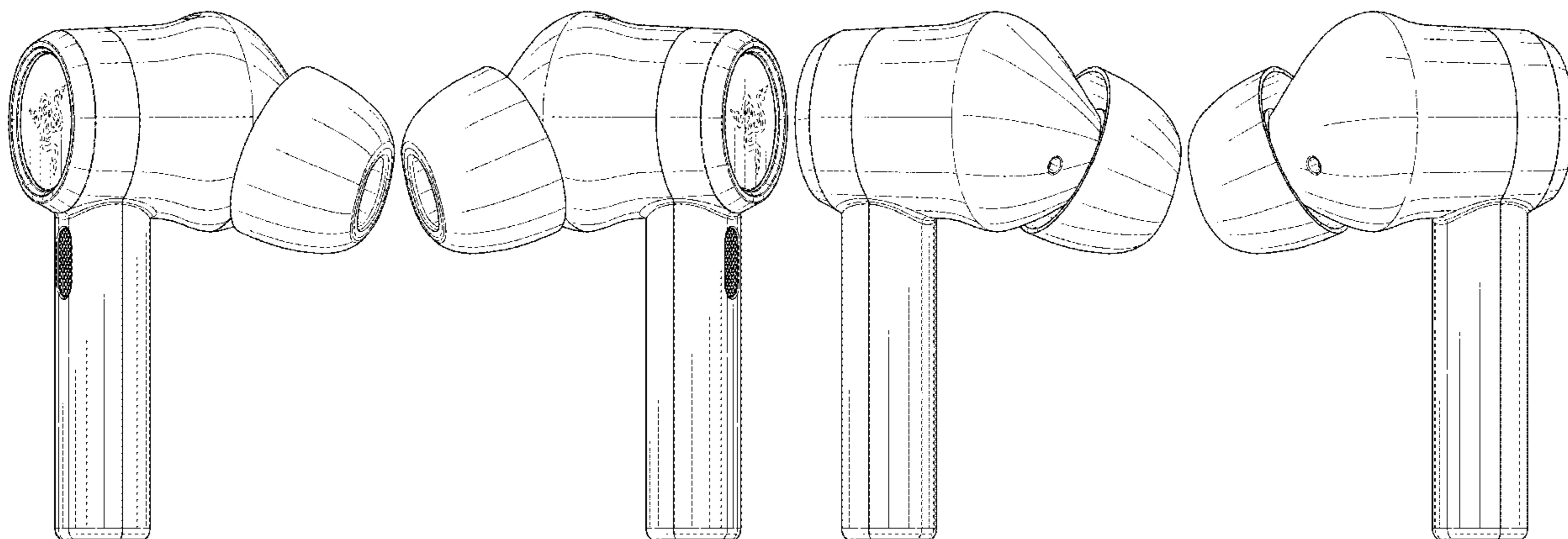
(57) **CLAIM**

The ornamental design for a pair of earbuds, as shown and described.

DESCRIPTION

FIG. 1 is a perspective view of a pair of earbuds, showing my new design;
FIG. 2 is a front elevational view thereof;
FIG. 3 is a rear elevational view thereof;
FIG. 4 is a left side elevational view thereof;
FIG. 5 is a right side elevational view thereof;
FIG. 6 is a top plan view thereof; and
FIG. 7 is a bottom plan view thereof.
FIG. 8 is a perspective view of an earbud of the pair of earbuds;
FIG. 9 is a left side elevational view thereof;
FIG. 10 is a right side elevational view thereof;
FIG. 11 is a front elevational view thereof;
FIG. 12 is a rear elevational view thereof;
FIG. 13 is a top plan view thereof; and,
FIG. 14 is a bottom plan view thereof.
The broken lines are for illustrating portions of the pair of earbuds which form no part of the claimed design.

1 Claim, 8 Drawing Sheets



(56)

References Cited

U.S. PATENT DOCUMENTS

D908,114	S	*	1/2021	Jung	D14/223
D914,647	S	*	3/2021	Yang	D14/223
D914,649	S	*	3/2021	Chen	D14/223
D916,058	S	*	4/2021	Wu	D14/223
D916,683	S	*	4/2021	Yao	D14/223
D920,293	S	*	5/2021	Chen	D14/223
D942,425	S	*	2/2022	Pi	D14/223
D942,427	S	*	2/2022	Liu	D14/223
D946,517	S	*	3/2022	Zhang	D14/223
D950,525	S	*	5/2022	Chen	D14/223
D953,739	S	*	6/2022	Akana	D14/223
D967,066	S	*	10/2022	Cai	D14/223

OTHER PUBLICATIONS

Pamu Wireless, first available Apr. 28, 2022 [online], [retrieved Aug. 8, 2022]. Available from the Internet, URL:<<https://a.co/d/3W7dCZP>>. (Year: 2022).*

Soli, first available Oct. 6, 2022 [online], [retrieved Dec. 6, 2022]. Available from the Internet, URL:<<https://a.co/d/cgrKMPE>>. (Year: 2022).*

Razer Hammerhead, first available Dec. 7, 2020 [online], [retrieved Dec. 6, 2022]. Available from the Internet, URL:<<https://a.co/d/dlrnou7>>. (Year: 2020).*

Future Five, first available Feb. 25, 2020 [online], [retrieved Dec. 6, 2022]. Available from the Internet, URL:<<https://futurefive.co.nz/story/head-to-head-jaybird-vista-true-wireless-vs-razer-hammerhead-true-wireless>>. (Year: 2020).*

* cited by examiner

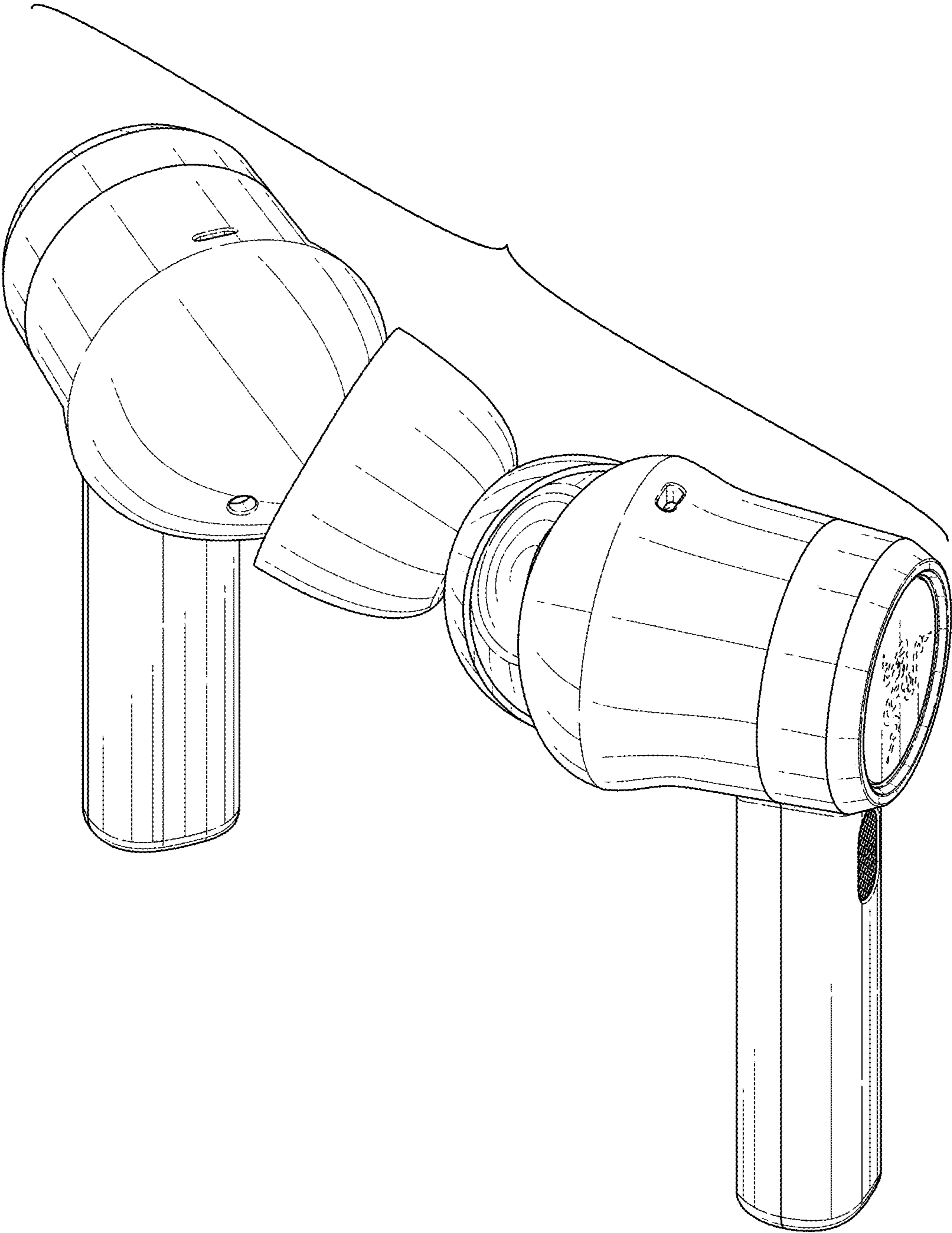


FIG. 1

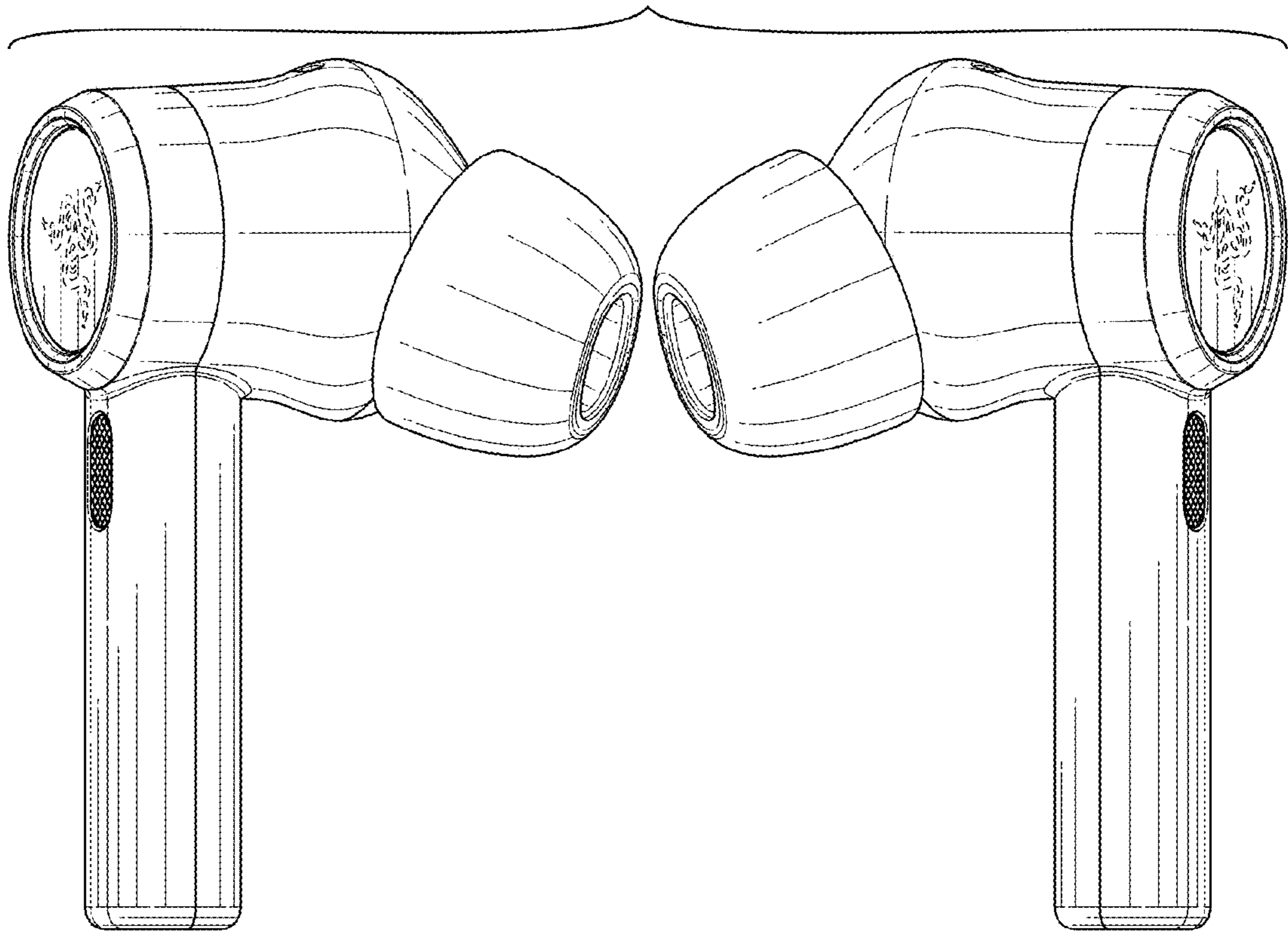


FIG. 2

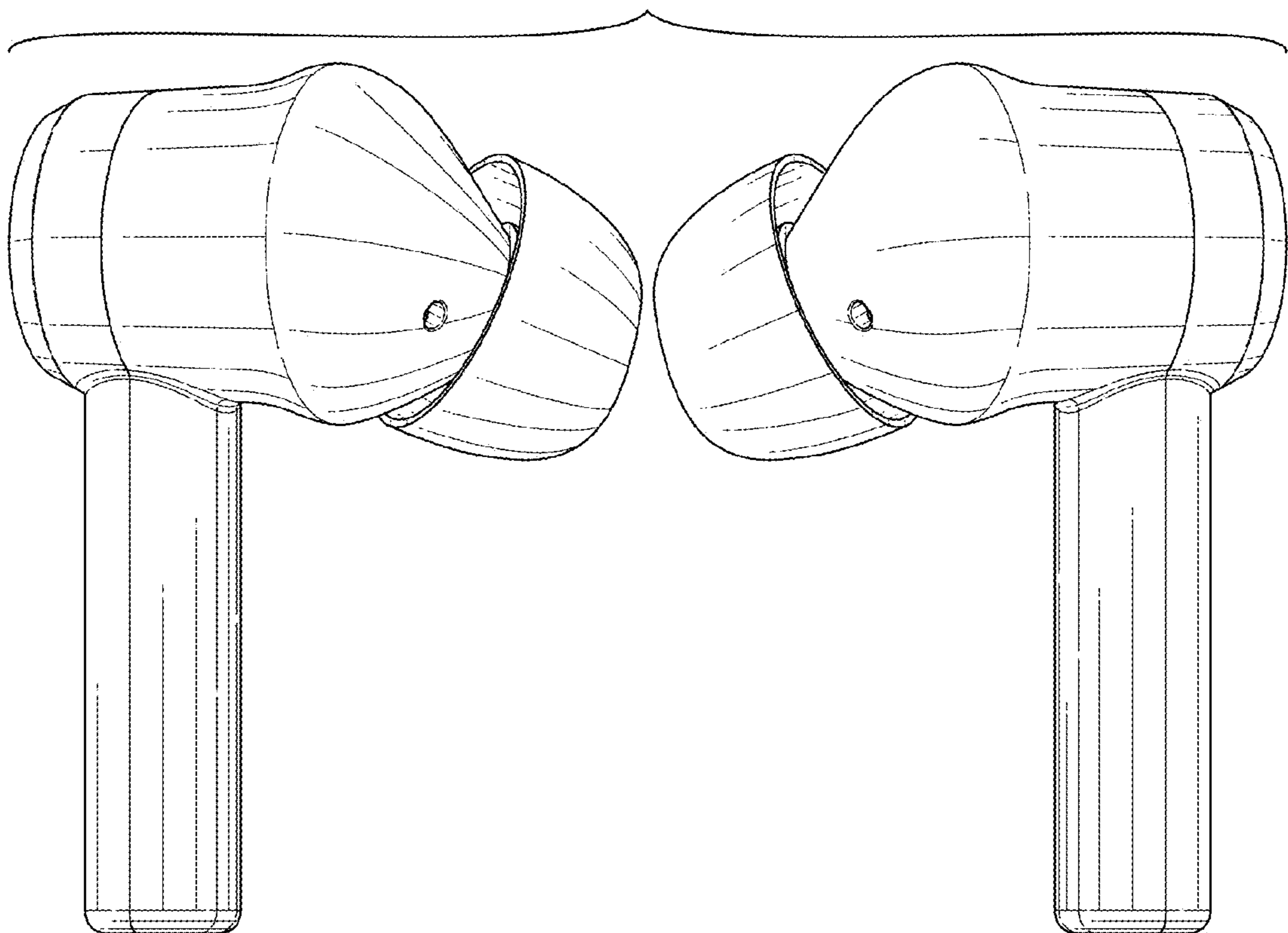


FIG. 3

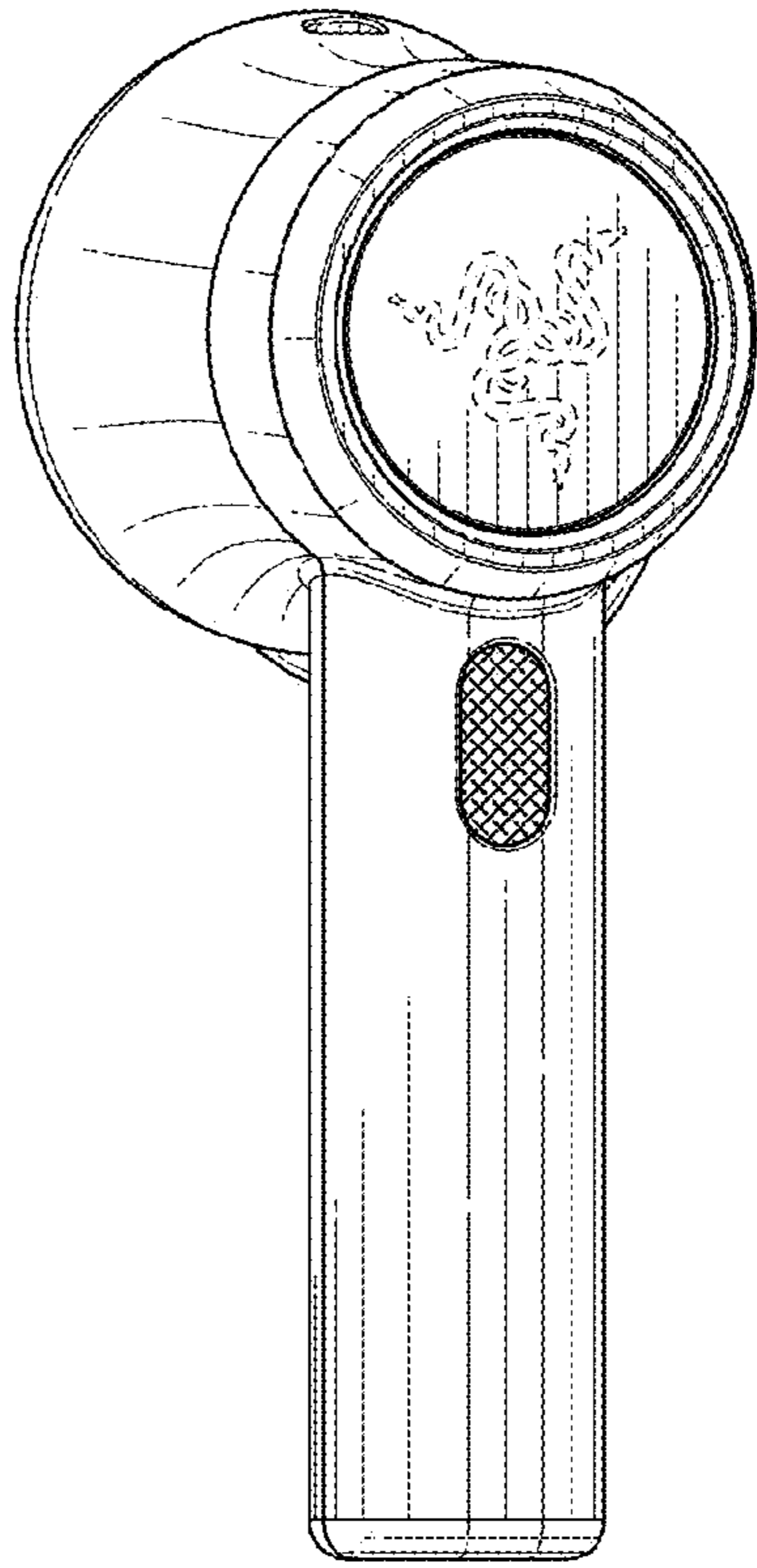


FIG. 4

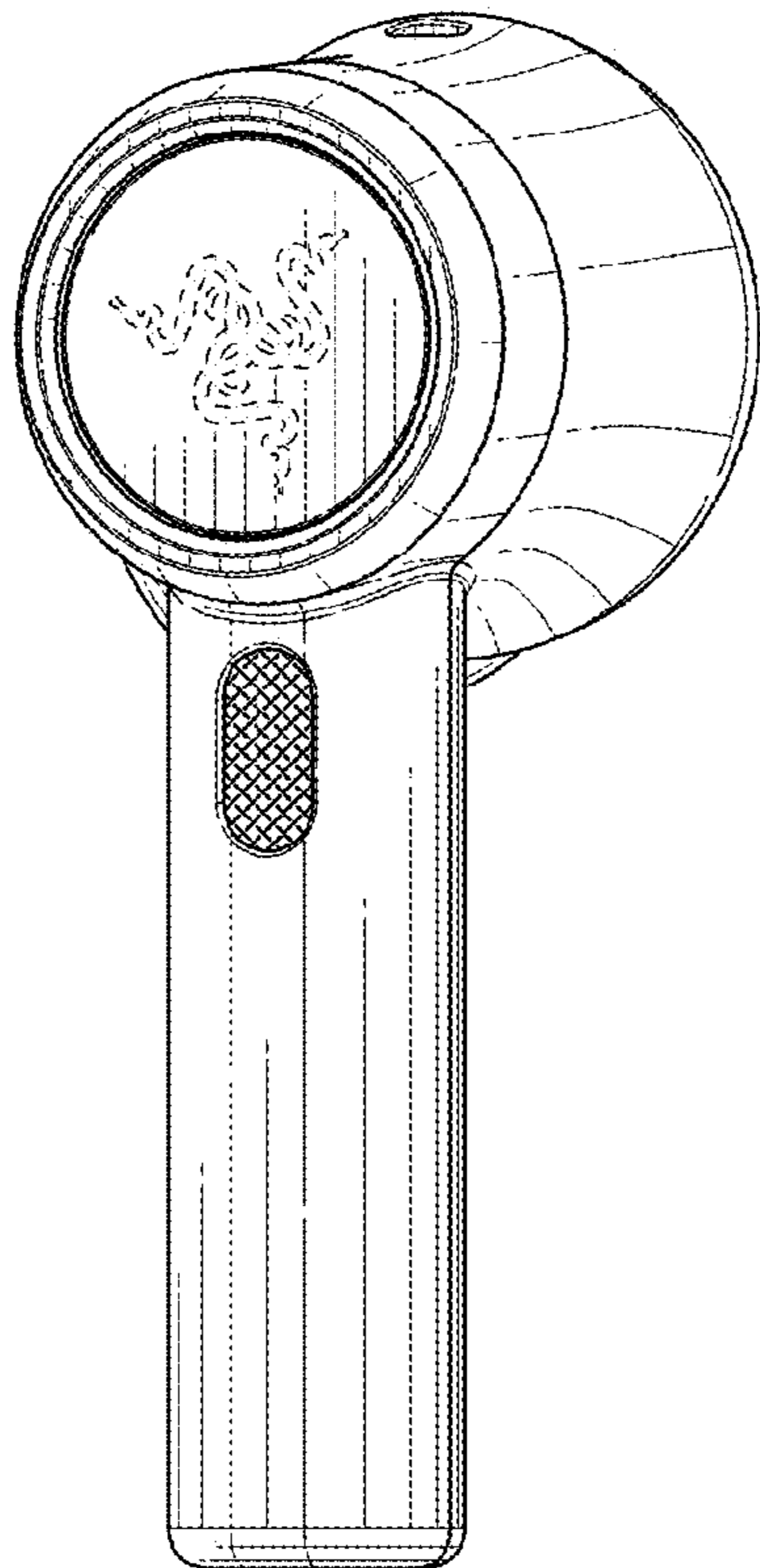


FIG. 5

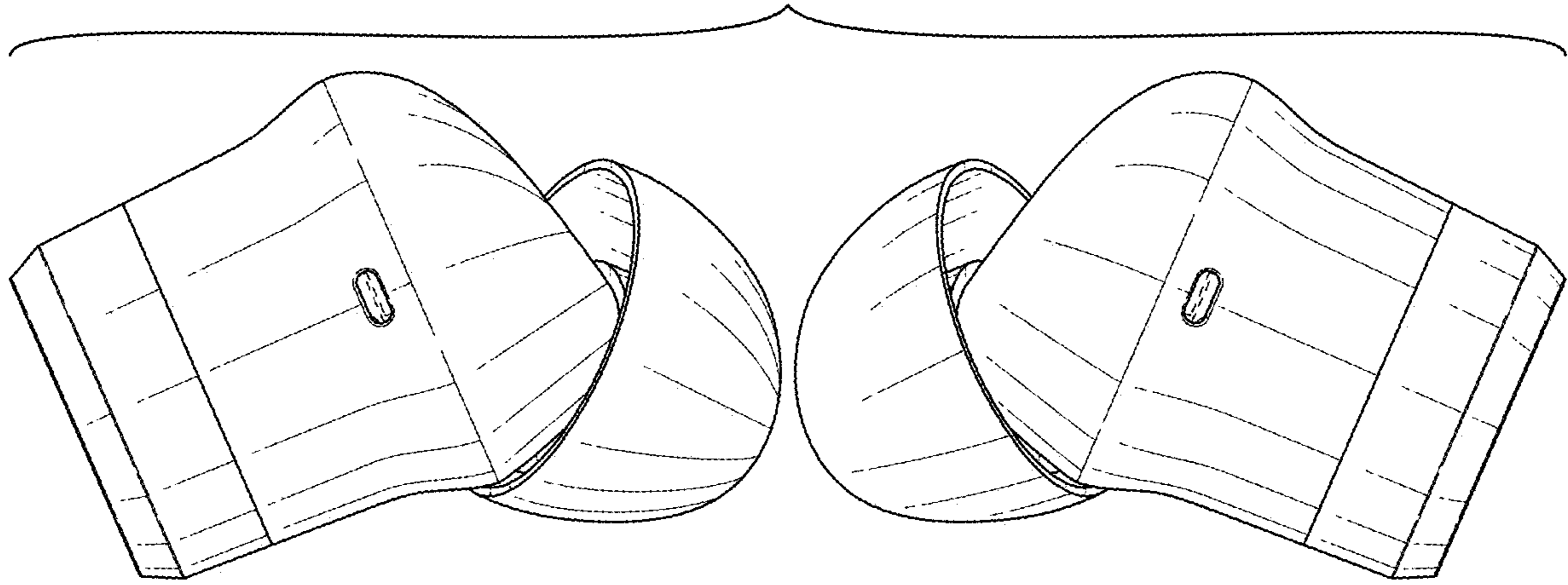


FIG. 6

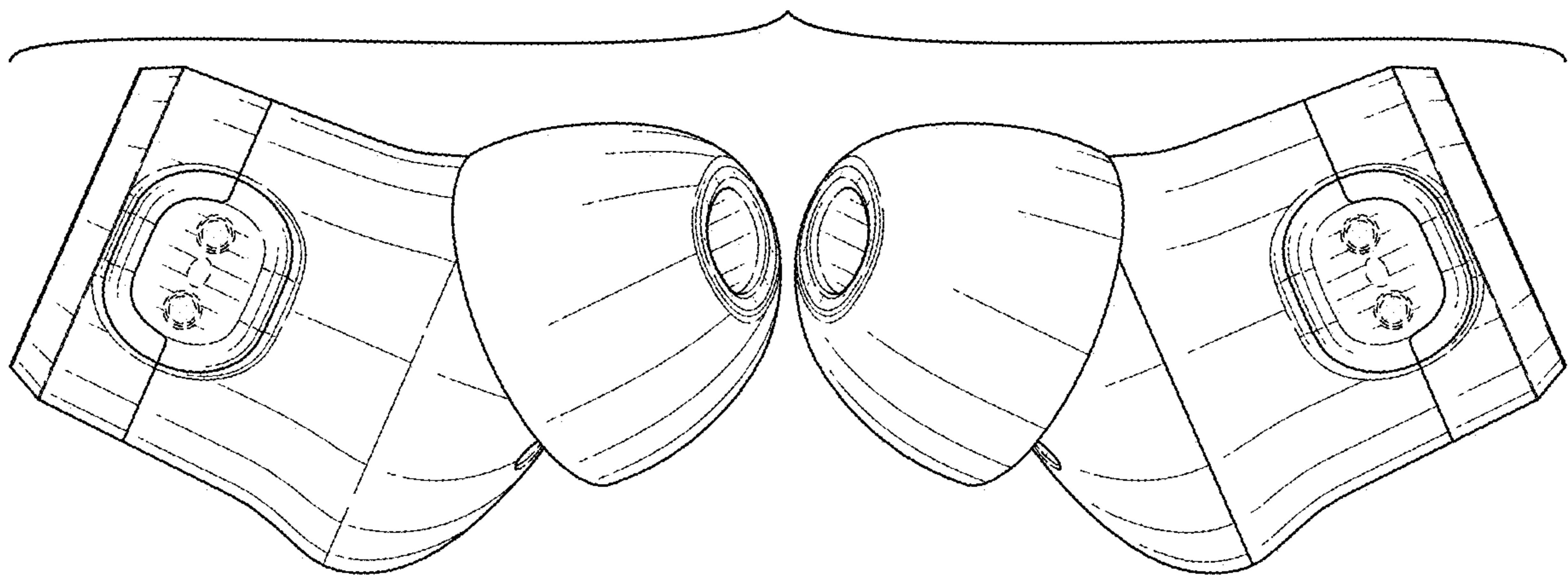


FIG. 7

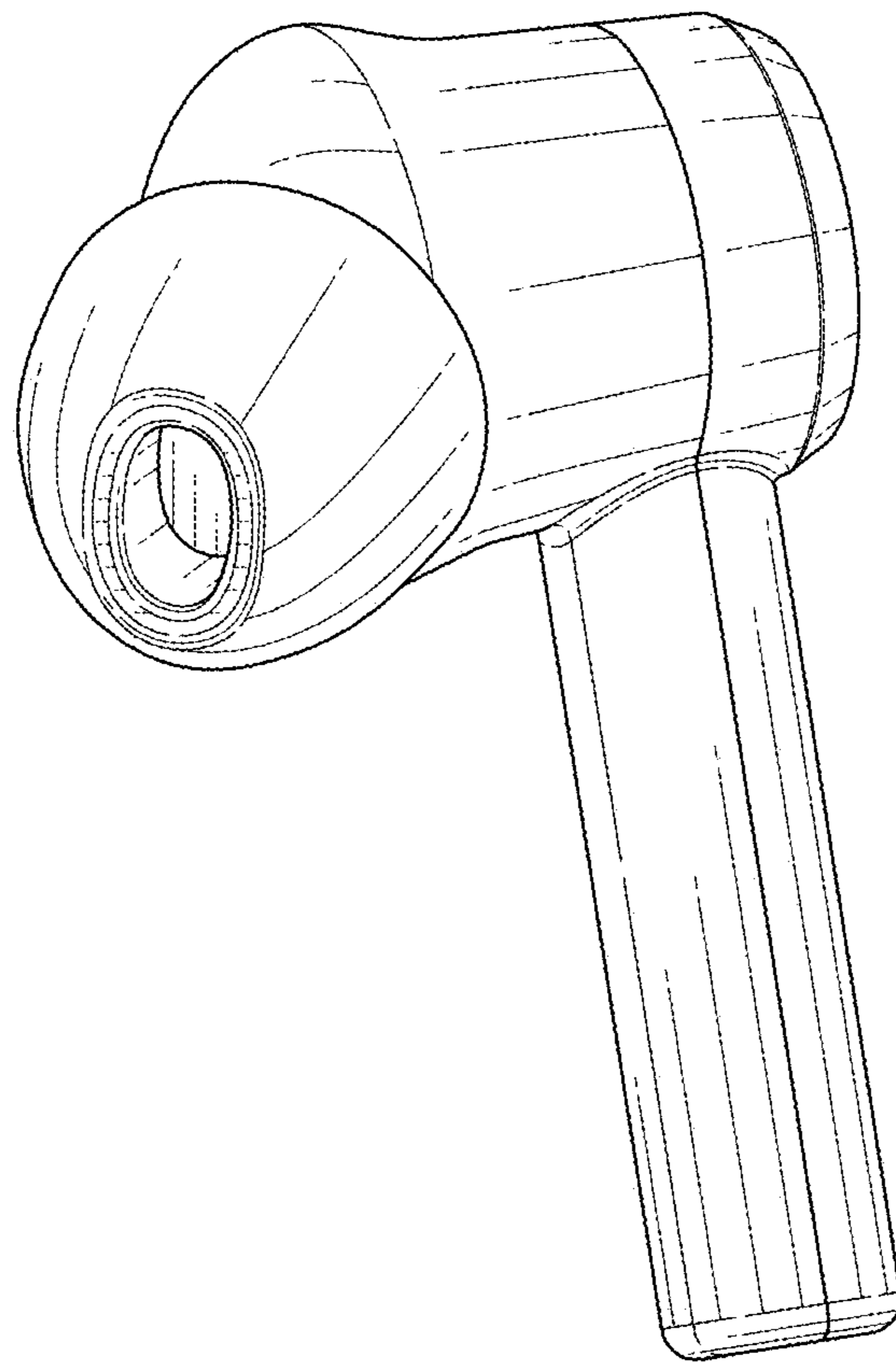


FIG. 8

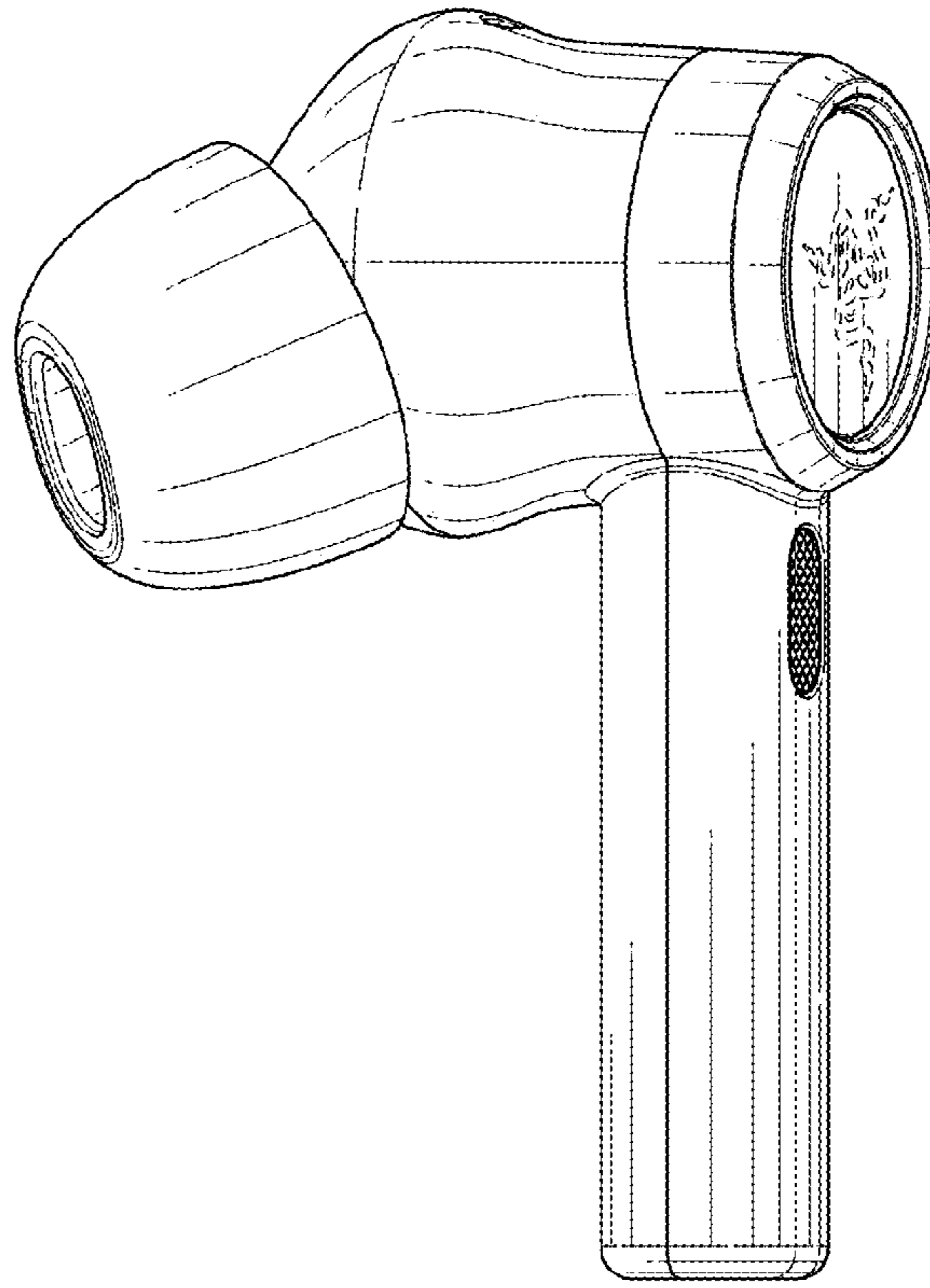


FIG. 9

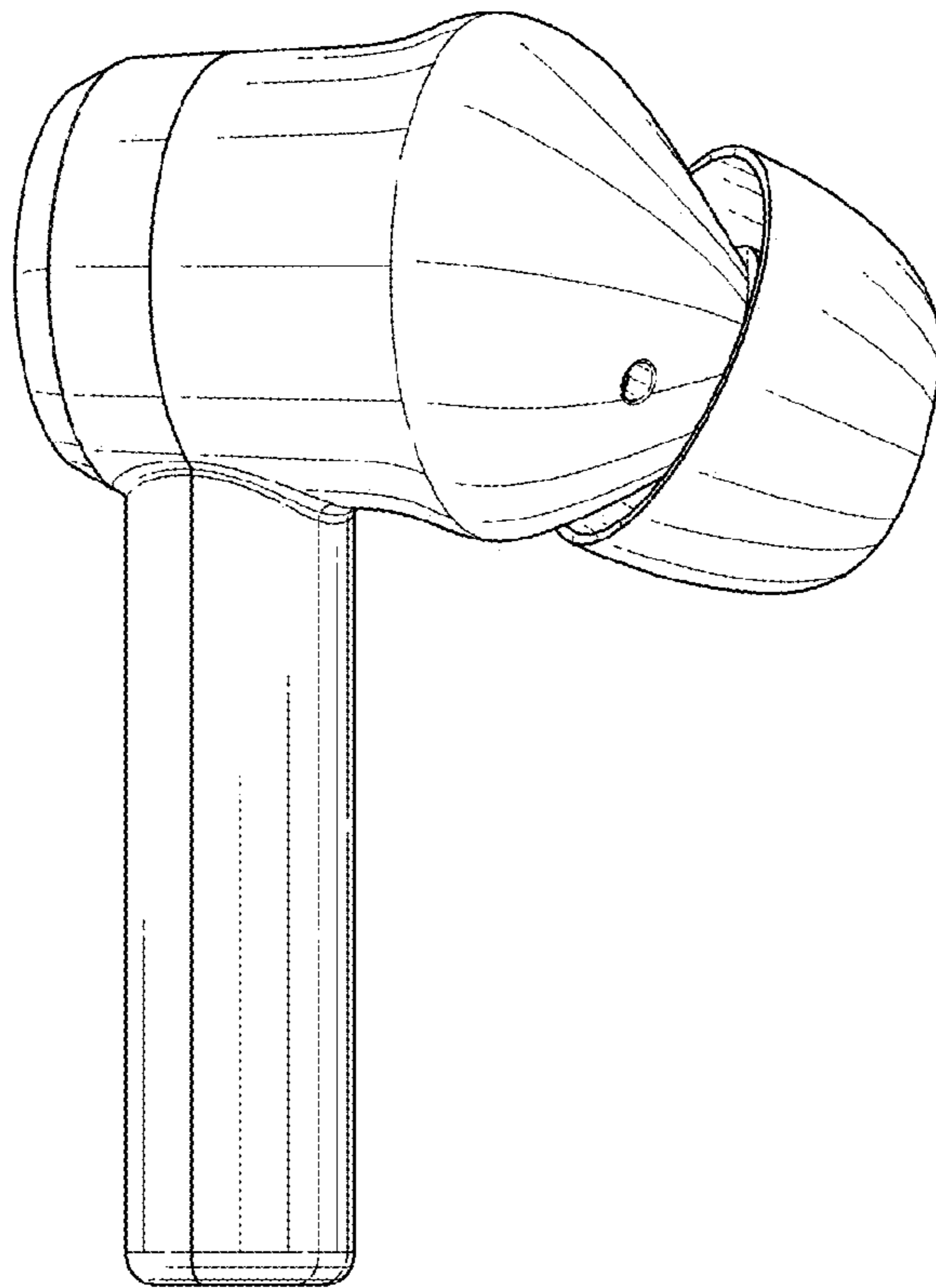


FIG. 10

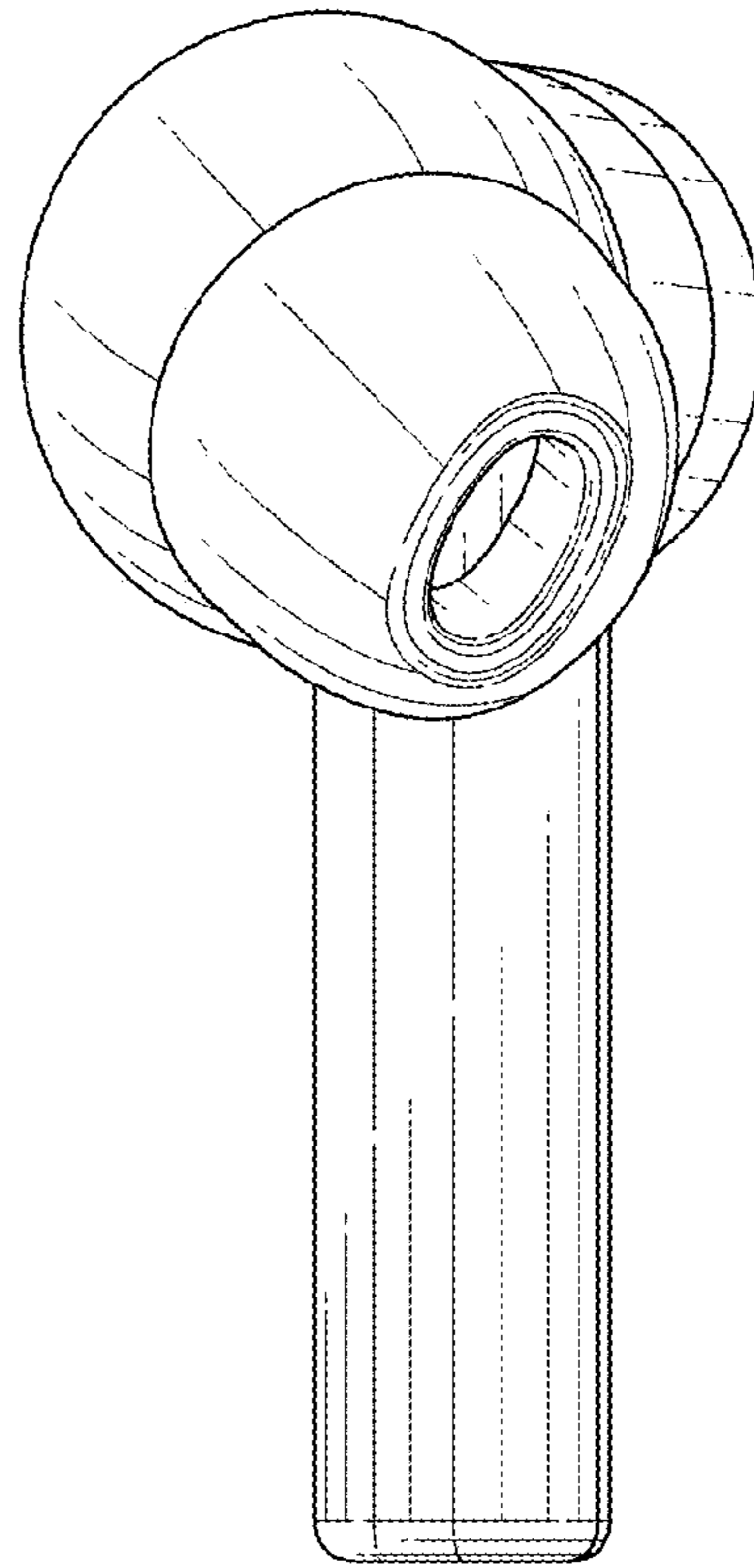


FIG. 11

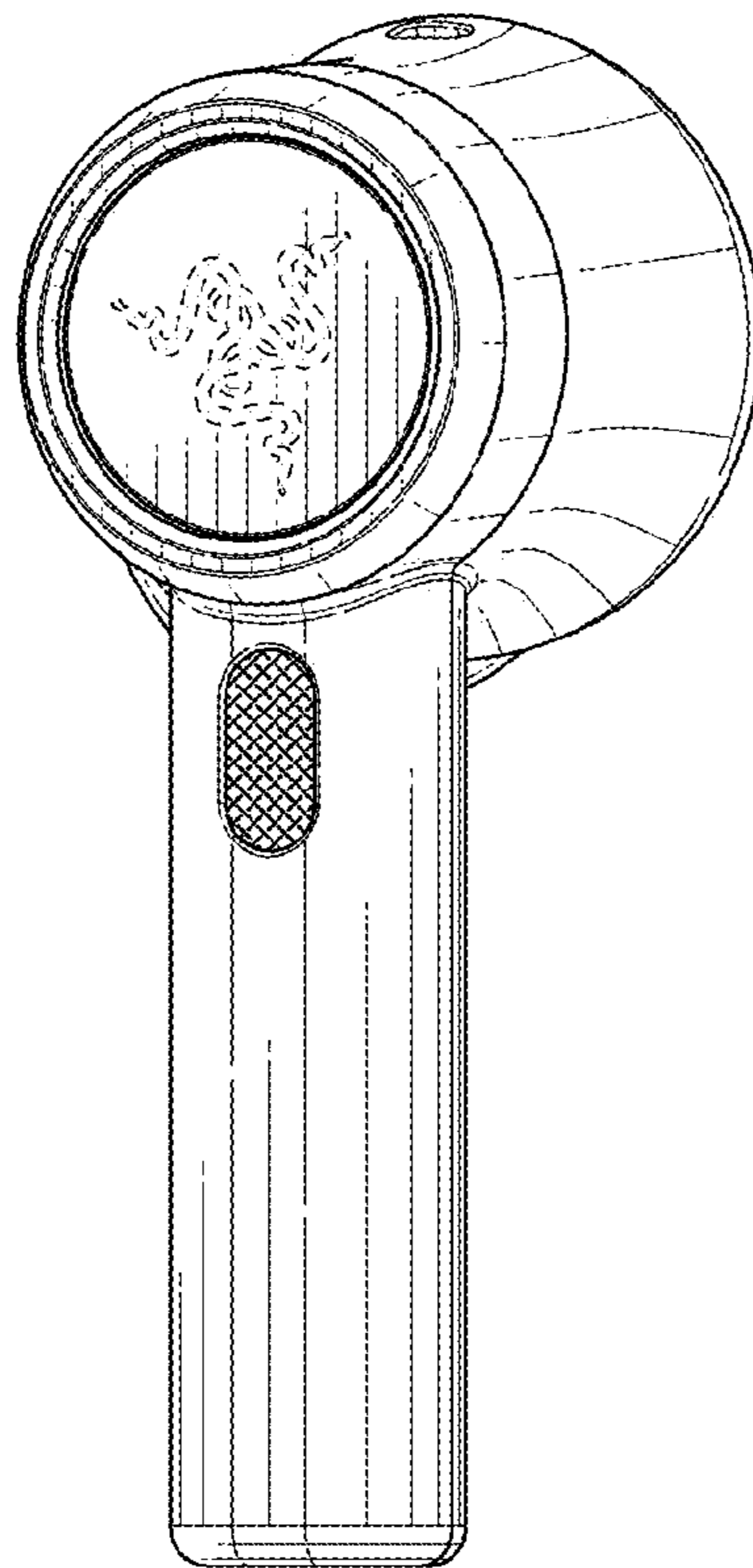


FIG. 12

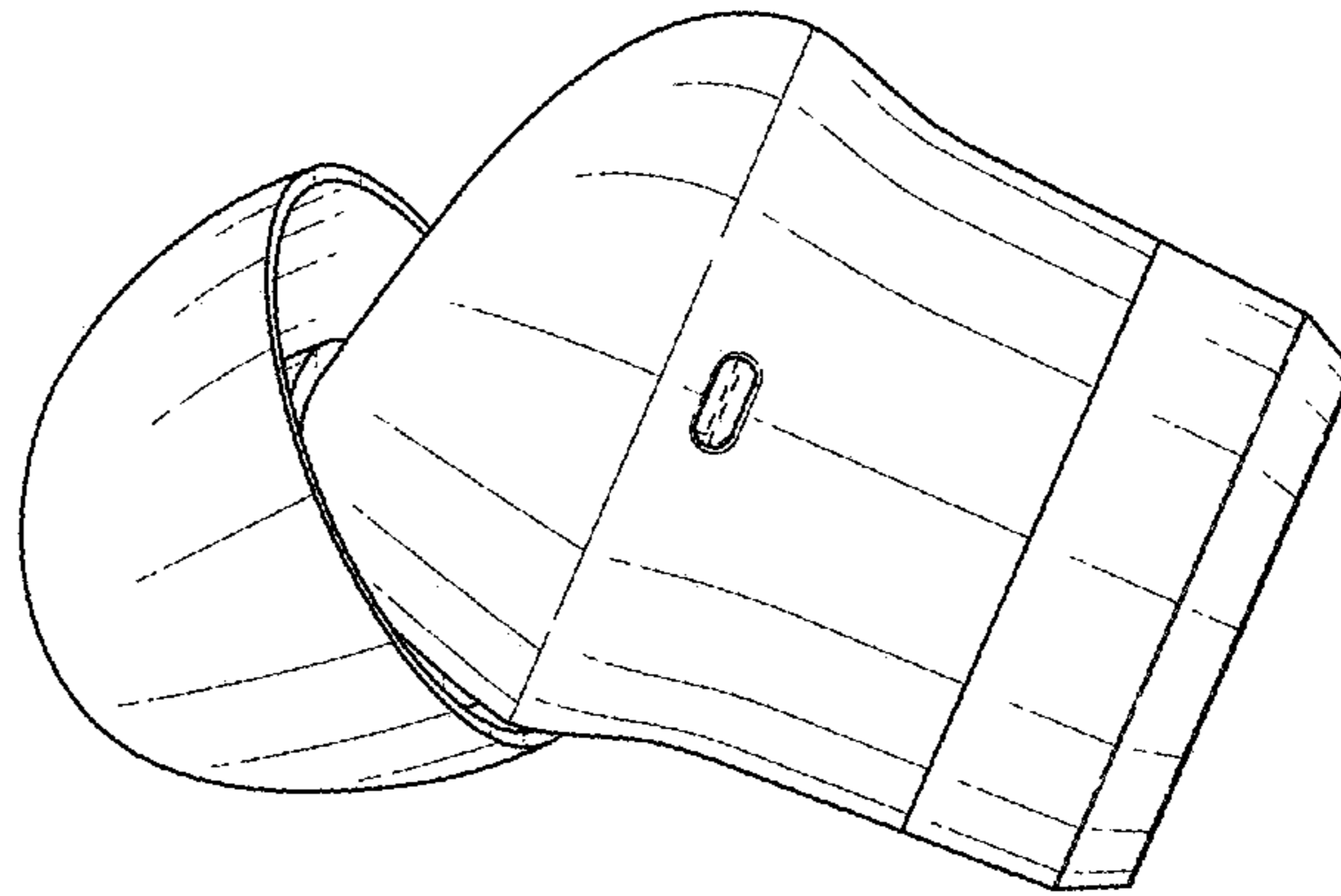


FIG. 13

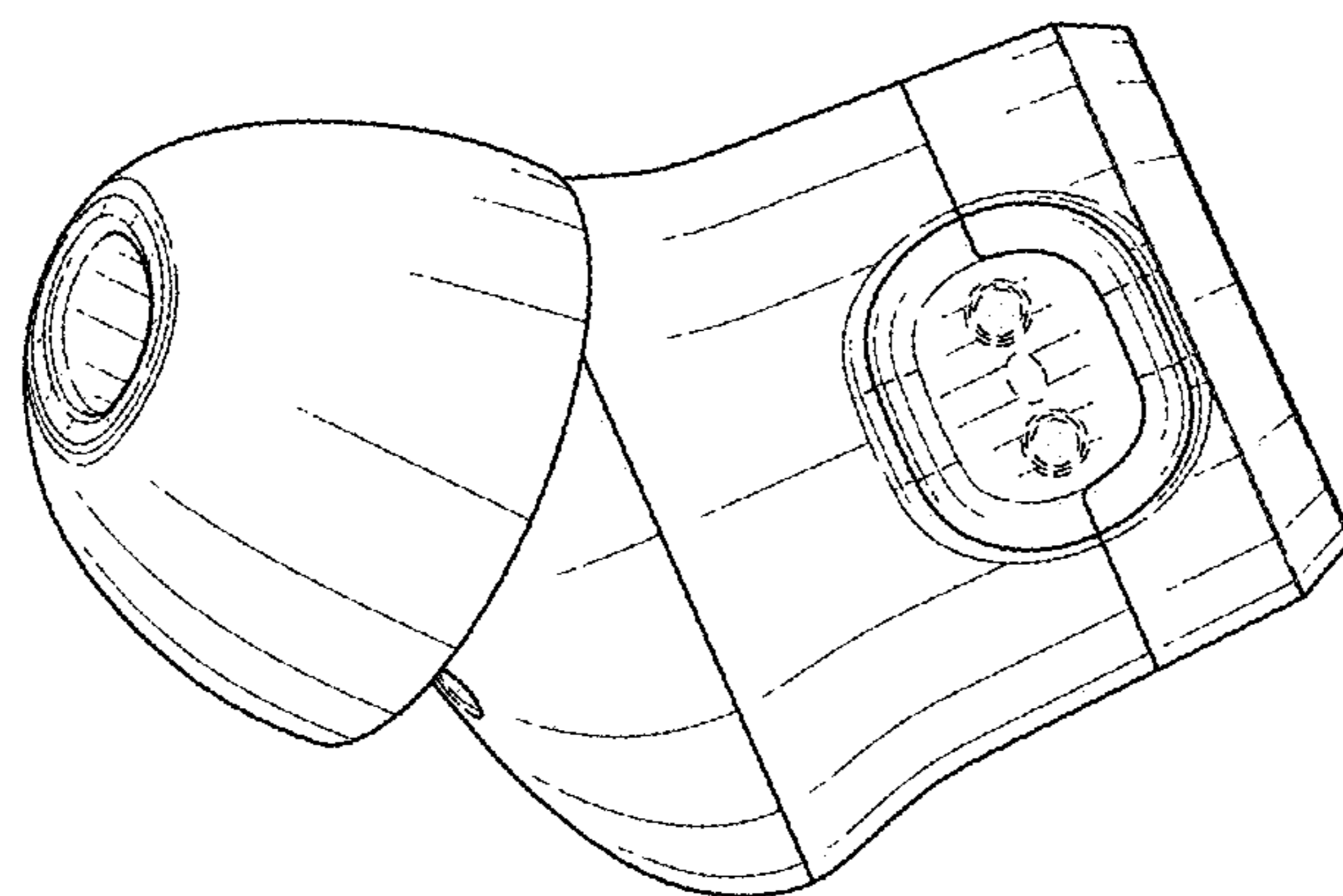


FIG. 14