



US00D984413S

(12) **United States Design Patent**
Choi et al.

(10) **Patent No.:** **US D984,413 S**
(45) **Date of Patent:** **** Apr. 25, 2023**

(54) **SPEAKER FOR A PORTABLE DIGITAL MULTIMEDIA PLAYER**

(71) Applicant: **LG ELECTRONICS INC.**, Seoul (KR)

(72) Inventors: **Sanghyun Choi**, Seoul (KR); **Seungil Lee**, Seoul (KR); **Hophil Lee**, Seoul (KR); **Jinwan Bae**, Seoul (KR)

(73) Assignee: **LG ELECTRONICS INC.**, Seoul (KR)

(**) Term: **15 Years**

(21) Appl. No.: **29/796,301**

(22) Filed: **Jun. 23, 2021**

(30) **Foreign Application Priority Data**

Jan. 4, 2021 (KR) 30-2021-0000181

(51) **LOC (14) Cl.** **14-01**

(52) **U.S. Cl.**
USPC **D14/214**

(58) **Field of Classification Search**

USPC D10/104.1, 106.1, 53; D13/108, 162; D14/125, 140, 149, 167, 168, 171, 188, D14/204, 203.1, 203.3, 203.7, 210, 211, D14/214, 215, 217, 218, 240, 242, 300, D14/435, 496, 506, 507; D23/364

CPC H04R 5/02; H04R 2420/07; H04N 5/642; H02J 7/025; H02J 7/0042; H02J 7/0044

See application file for complete search history.

(56) **References Cited**

U.S. PATENT DOCUMENTS

D563,994 S * 3/2008 Liu D14/496
D690,280 S * 9/2013 Schul D14/188
D711,463 S * 8/2014 Costabeber D14/300
D713,405 S * 9/2014 Akana D14/356

D714,249 S * 9/2014 Carney D14/140
D721,061 S * 1/2015 Burlingame D14/216
D722,053 S * 2/2015 Wang D14/358
D723,480 S * 3/2015 Lee D14/125
D724,563 S * 3/2015 Kim D14/214
D725,624 S * 3/2015 Carney D14/149
D734,313 S * 7/2015 Schmidt D14/300
D746,795 S * 1/2016 Burlingame D14/218
D836,088 S * 12/2018 Ivey D14/215
D848,399 S * 5/2019 Burlingame D14/218

(Continued)

FOREIGN PATENT DOCUMENTS

WO WOD215065001 * 6/2021

Primary Examiner — Khawaja Anwar

Assistant Examiner — Megan Tiana Rakos

(74) *Attorney, Agent, or Firm* — Birch, Stewart, Kolasch & Birch, LLP

(57) **CLAIM**

The ornamental design for a speaker for a portable digital multimedia player, as shown and described.

DESCRIPTION

FIG. 1 is a front, right side, perspective view of a speaker for a portable digital multimedia player showing our new design;

FIG. 2 is a front view thereof;

FIG. 3 is a rear view thereof;

FIG. 4 is a left side view thereof;

FIG. 5 is a right side view thereof;

FIG. 6 is a top view thereof;

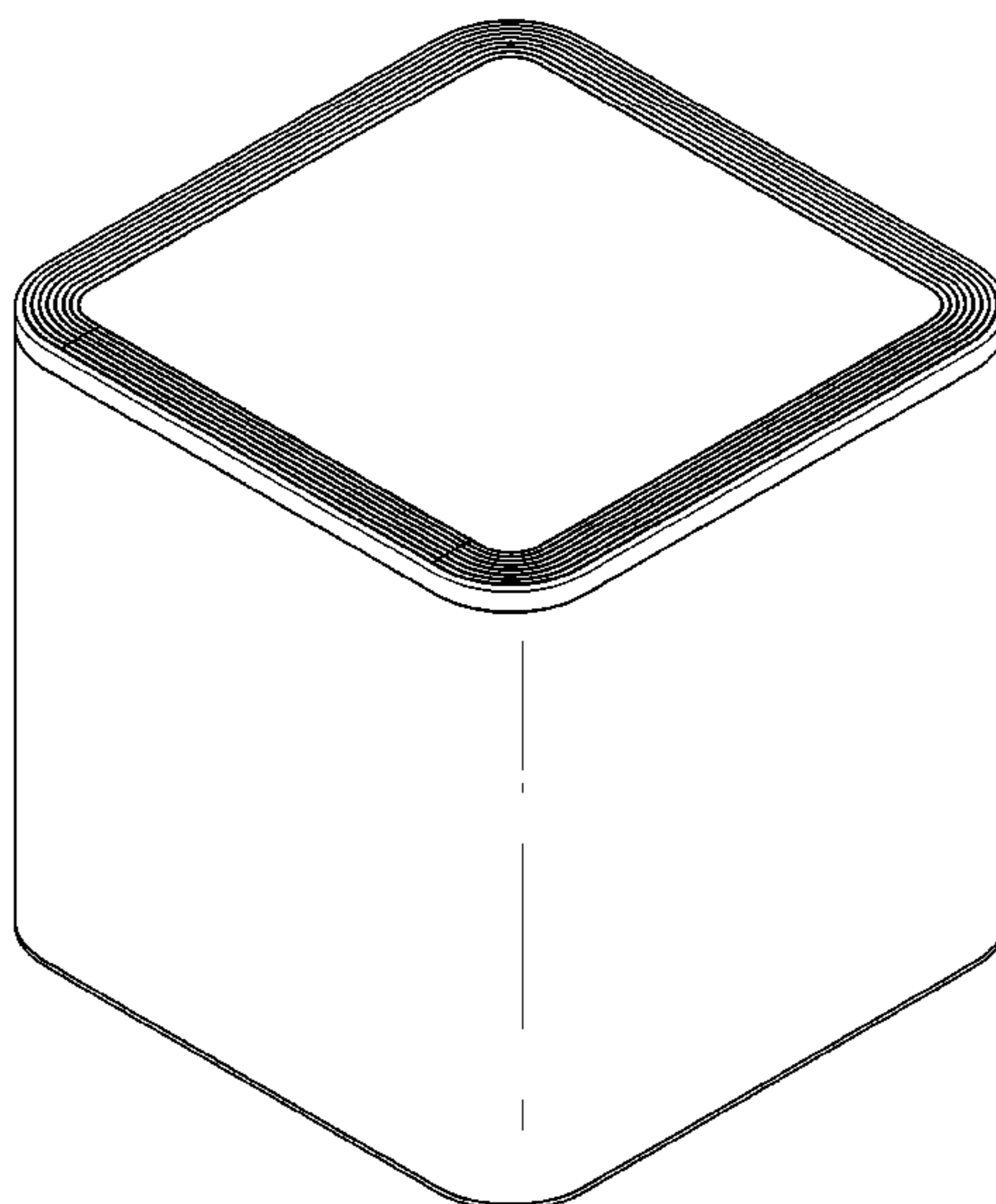
FIG. 7 is a bottom view thereof;

FIG. 8 is another perspective view shown in a usage condition; and,

FIG. 9 is a is another perspective view shown in a usage condition.

The broken lines indicate portions of the article that form no part of the claimed design.

1 Claim, 9 Drawing Sheets



(56)

References Cited

U.S. PATENT DOCUMENTS

D862,438 S *	10/2019	Lee	D14/242
D864,895 S *	10/2019	Kim	D14/204
D872,054 S *	1/2020	Meredith	D14/214
D873,242 S *	1/2020	Kosaka	D14/214
D874,423 S *	2/2020	Wu	D14/204
D884,707 S *	5/2020	Zhang	D14/434
D886,765 S *	6/2020	Wilberding	D14/204
D886,783 S *	6/2020	Widiaman	D14/204
D889,447 S *	7/2020	Biddle	D14/240
D905,011 S *	12/2020	Chen	D14/214
D931,253 S *	9/2021	Wilberding	D14/204
D931,254 S *	9/2021	Lin	D14/215
D931,731 S *	9/2021	Mayer	D9/560

* cited by examiner

FIG. 1

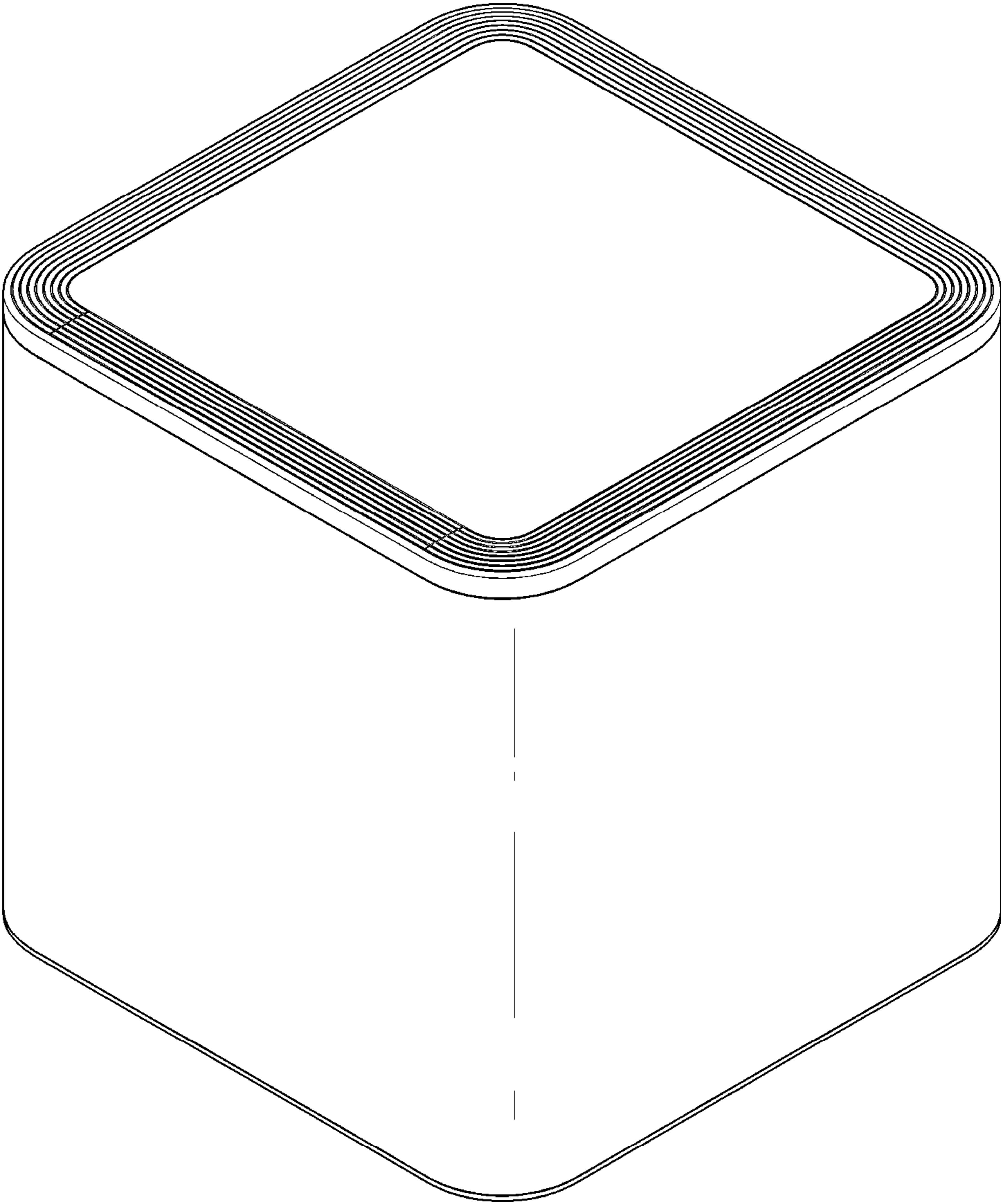


FIG. 2

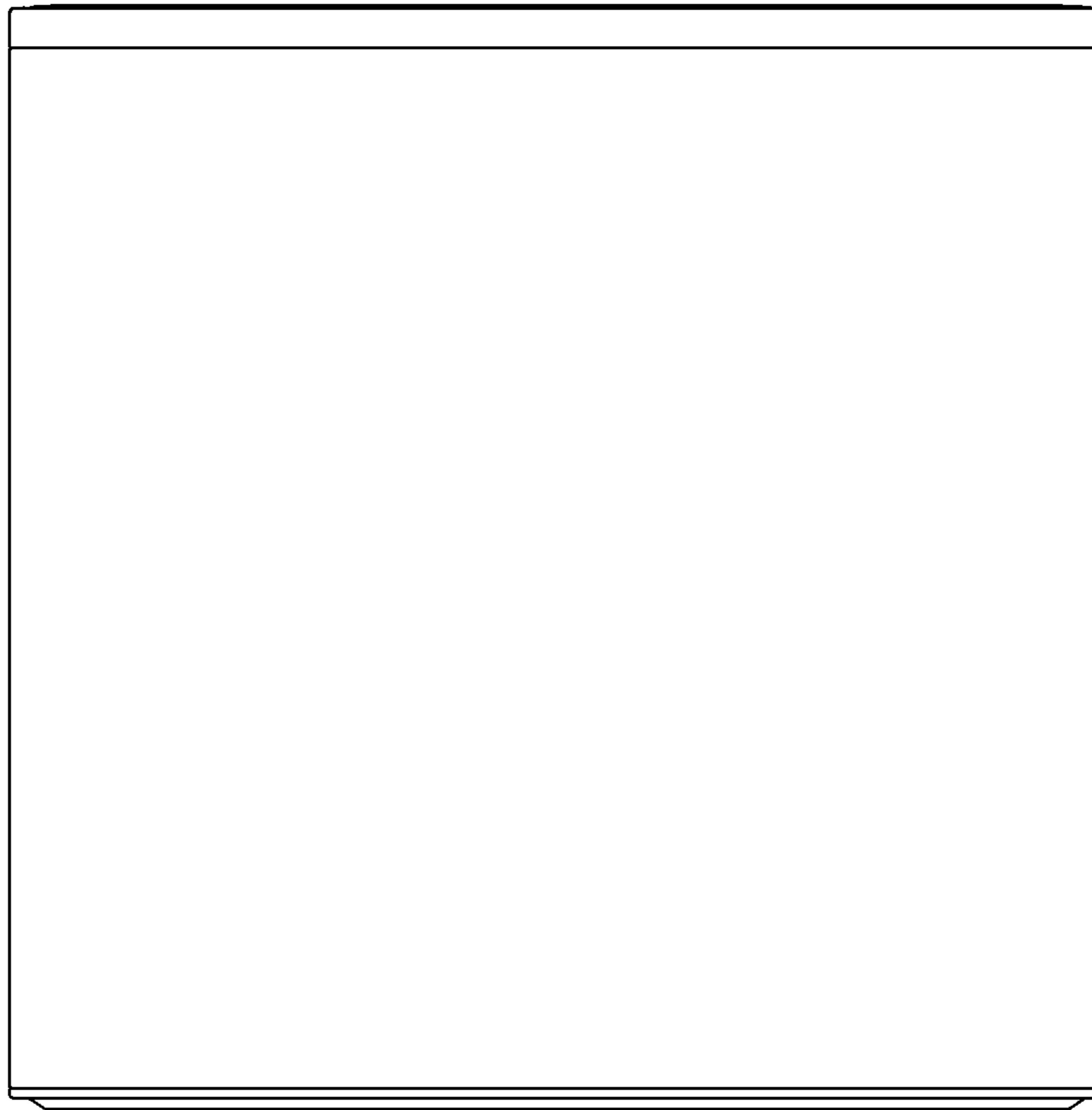


FIG. 3

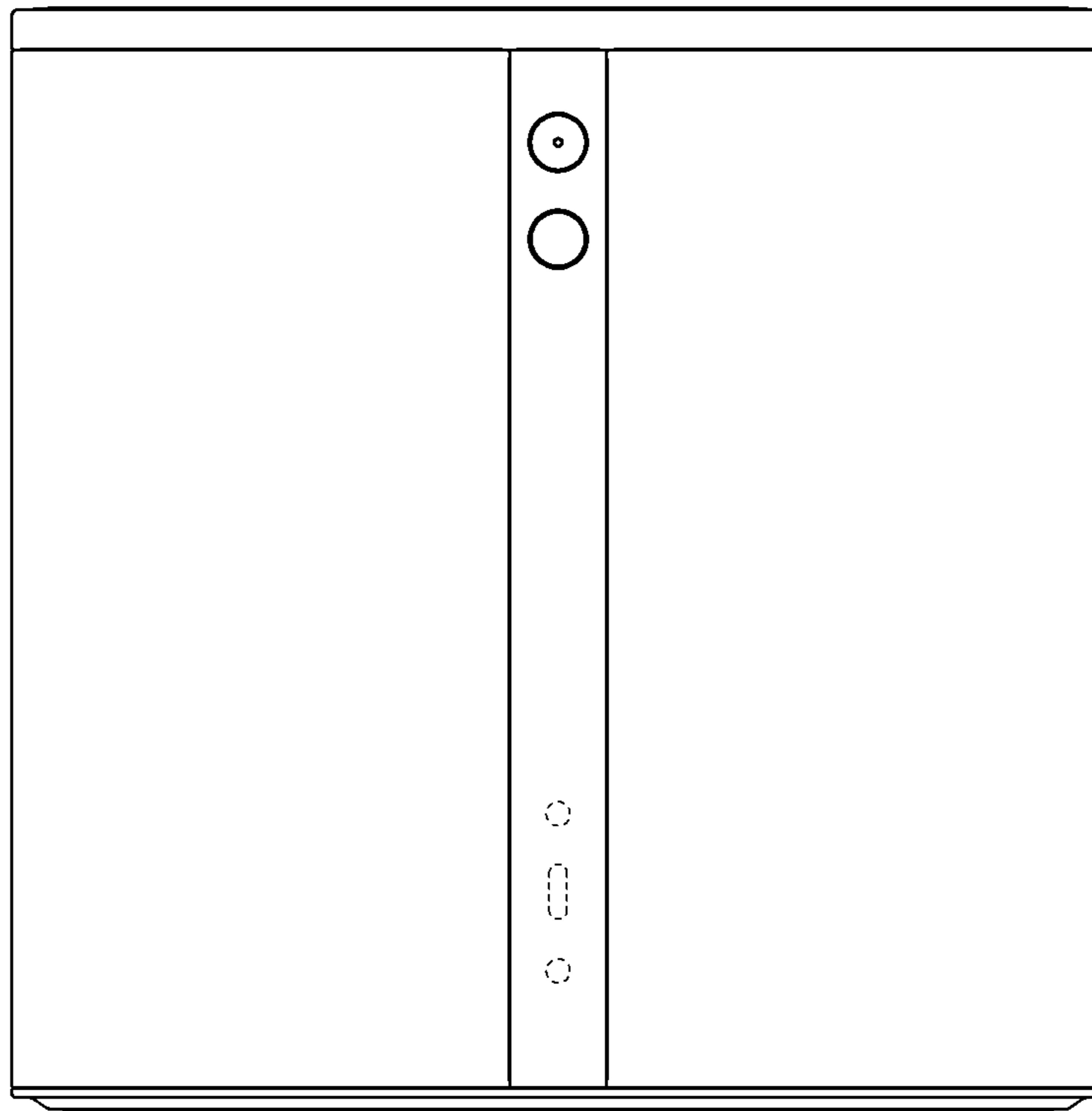


FIG. 4

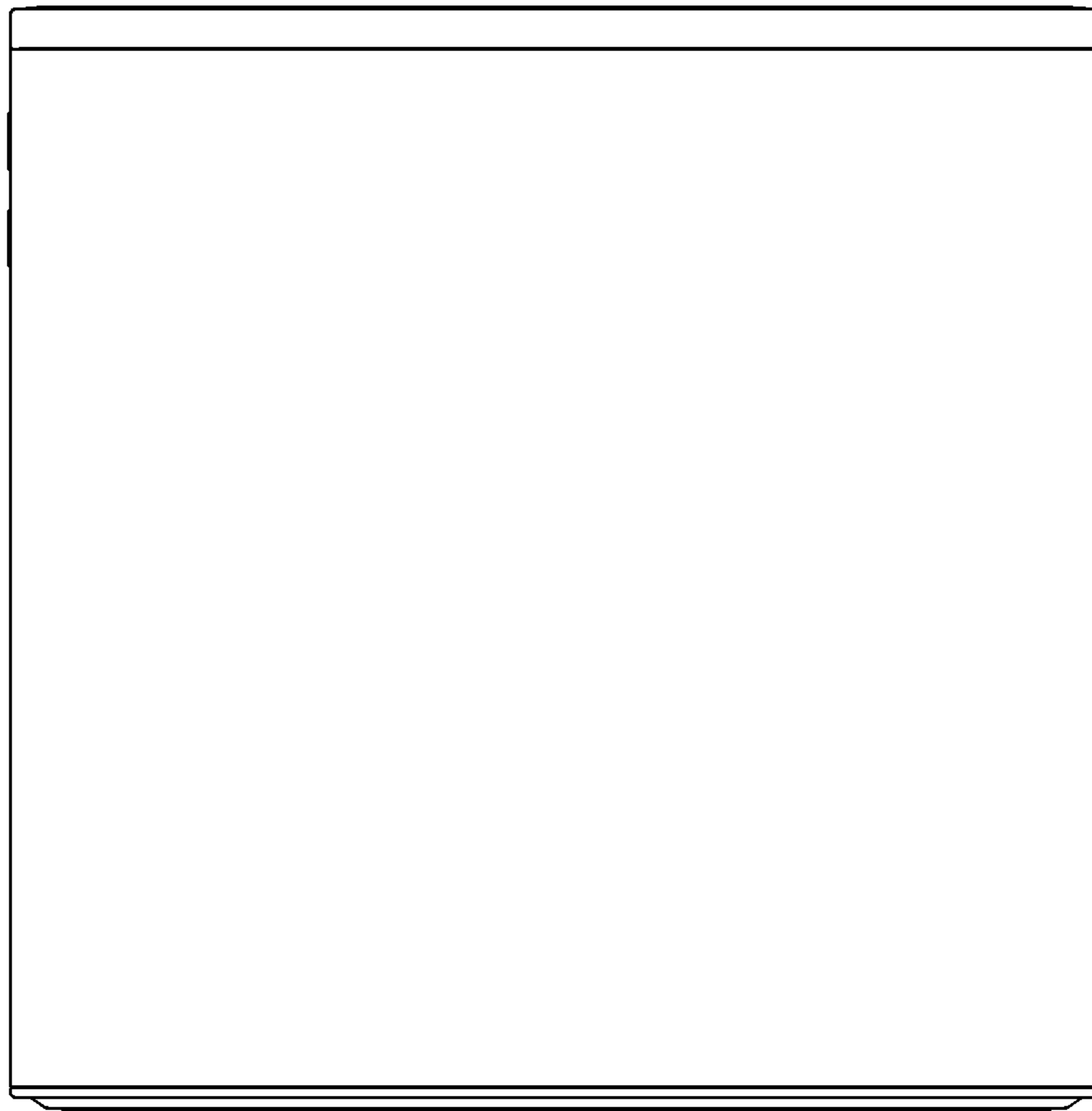


FIG. 5

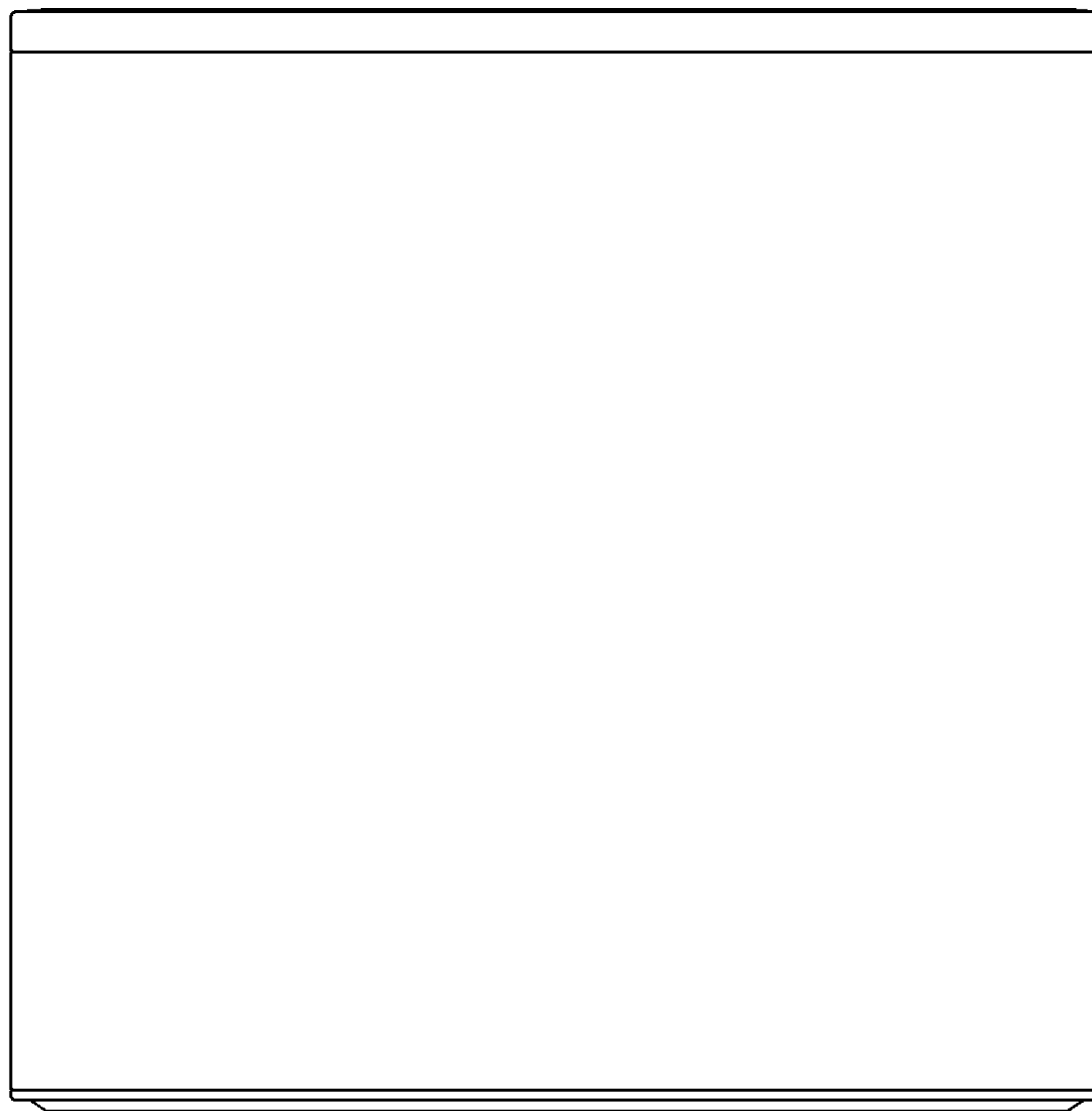


FIG. 6

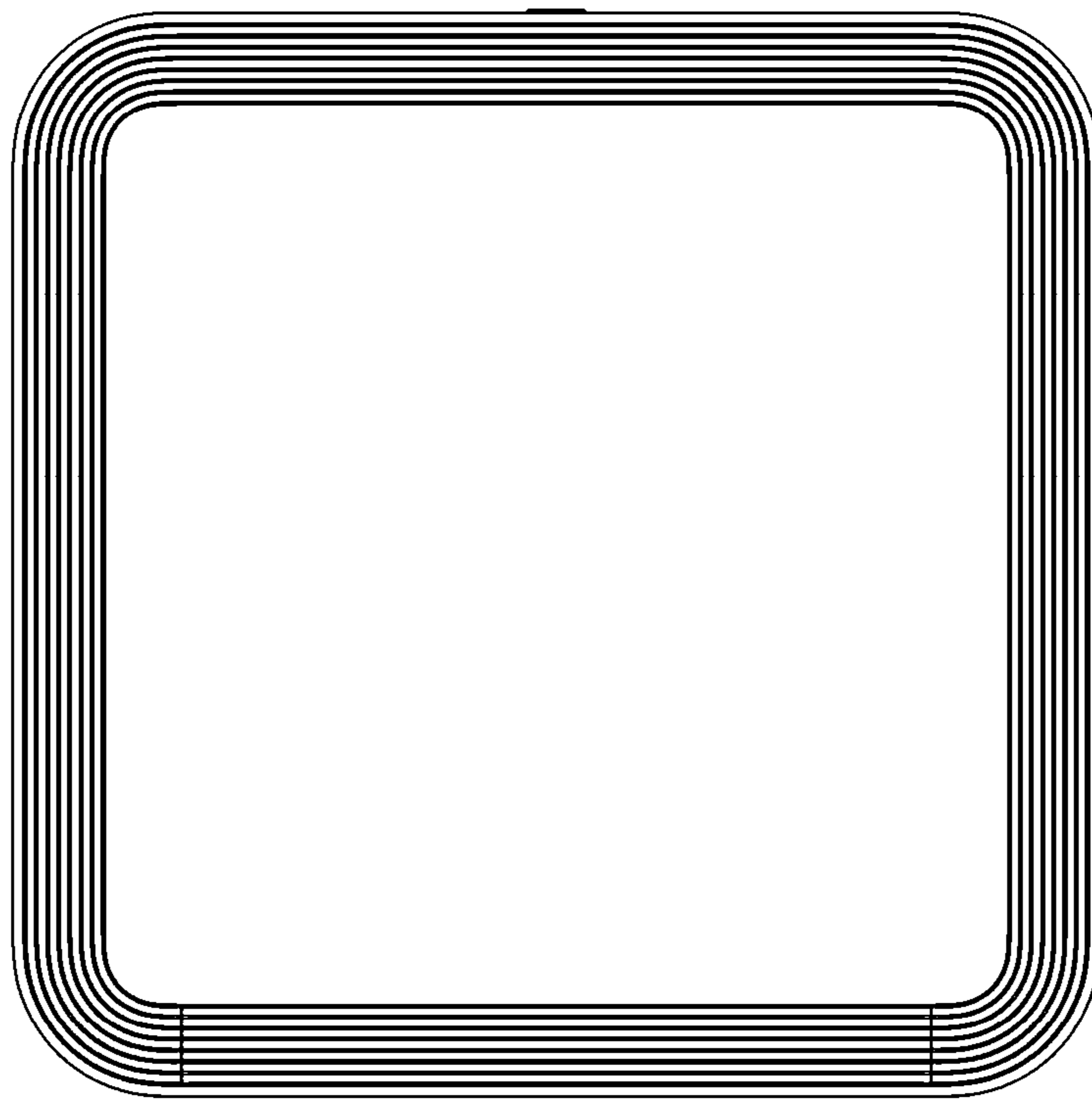


FIG. 7

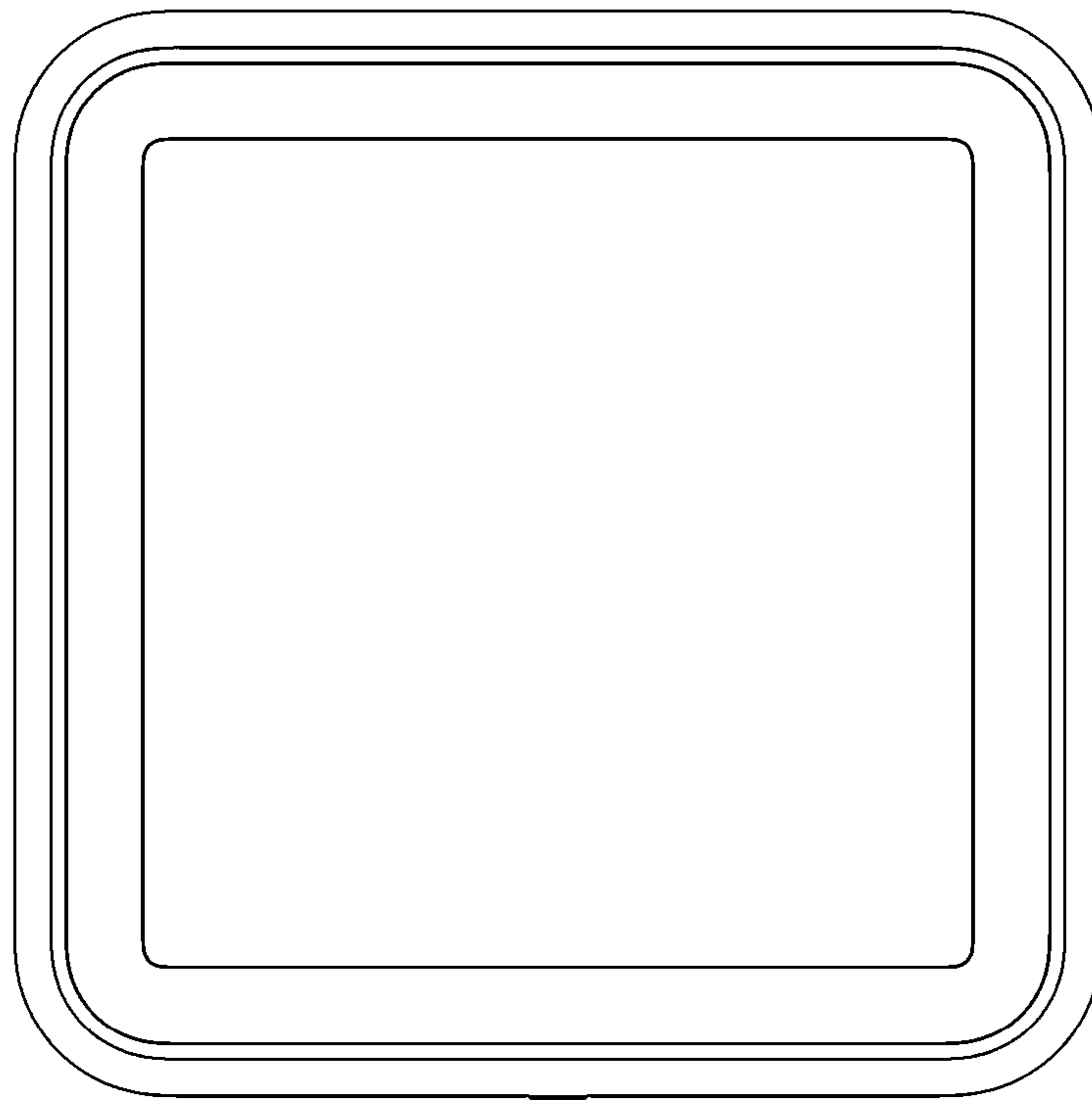


FIG. 8

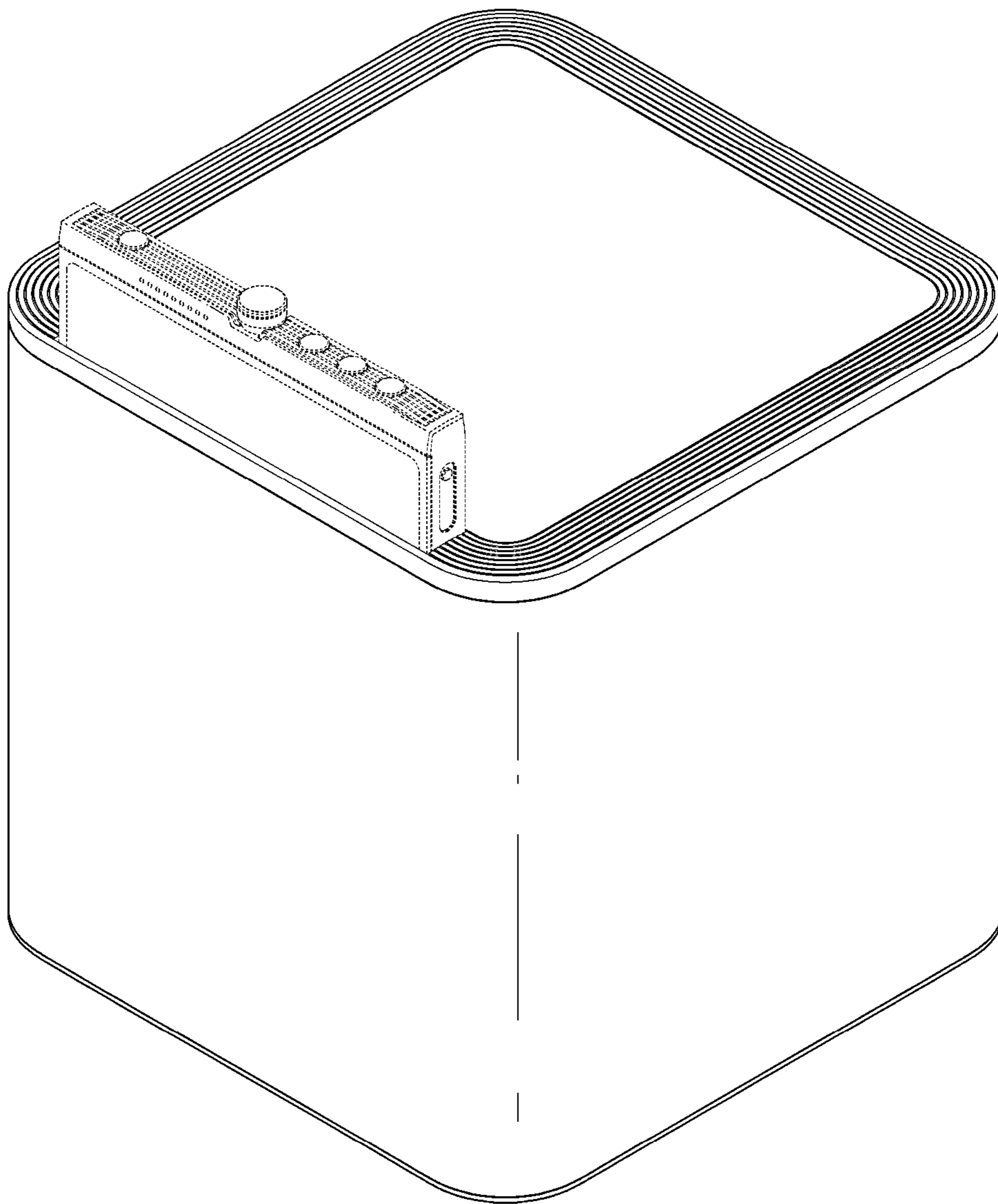


FIG. 9

