



US00D984411S

(12) **United States Design Patent**
Fay et al.

(10) **Patent No.:** **US D984,411 S**
(45) **Date of Patent:** **** Apr. 25, 2023**

(54) **LOUDSPEAKER**
(71) Applicant: **Harman International Industries, Incorporated**, Northridge, CA (US)
(72) Inventors: **Jeffery Fay**, Farmington Hills, MI (US); **David Dixon**, Livonia, MI (US)
(73) Assignee: **Harman International Industries, Incorporated**, Northridge, CA (US)

5,191,177 A * 3/1993 Chi H04R 5/02
181/156
D384,350 S * 9/1997 Nuevo D14/168
6,859,543 B2 * 2/2005 Fingleton H04R 1/323
381/350
D522,493 S * 6/2006 Tanaka D14/214
D540,782 S * 4/2007 Katsumata D14/214
D571,359 S * 6/2008 Chang D14/216
D611,450 S * 3/2010 Miyazaki D14/214
D625,707 S 10/2010 Solland
D631,866 S 2/2011 Solland
D644,206 S * 8/2011 Ponnert D14/216

(**) Term: **15 Years**

(21) Appl. No.: **29/768,767**

(22) Filed: **Feb. 1, 2021**

(30) **Foreign Application Priority Data**

Jan. 19, 2021 (CN) 202120143051.5

(51) **LOC (14) Cl.** **14-01**

(52) **U.S. Cl.**
USPC **D14/214; D14/209.1**

(58) **Field of Classification Search**
USPC D14/204, 209.1, 214, 221, 225; 181/141, 181/145, 153; 381/303, 338
CPC . H04R 25/00; H04R 5/02; H04R 1/02; H04R 1/28; H05K 5/00
See application file for complete search history.

(56) **References Cited**

U.S. PATENT DOCUMENTS

2,896,737 A * 7/1959 Gellman H04R 1/2888
181/153
3,385,393 A * 5/1968 Gold H04R 5/023
5/904
3,590,941 A * 7/1971 McKenzie H04R 1/2857
181/145
D223,580 S * 5/1972 Richards D14/215
D270,444 S * 9/1983 Matsuda D14/214
4,756,382 A * 7/1988 Hudson, III H04R 1/2888
181/141

FOREIGN PATENT DOCUMENTS

GB 9008206486-0002 * 10/2020

OTHER PUBLICATIONS

Design U.S. Appl. No. 29/719,403, filed Jan. 3, 2020.

(Continued)

Primary Examiner — Paula Allen Greene
(74) *Attorney, Agent, or Firm* — Plumsea Law Group, LLC

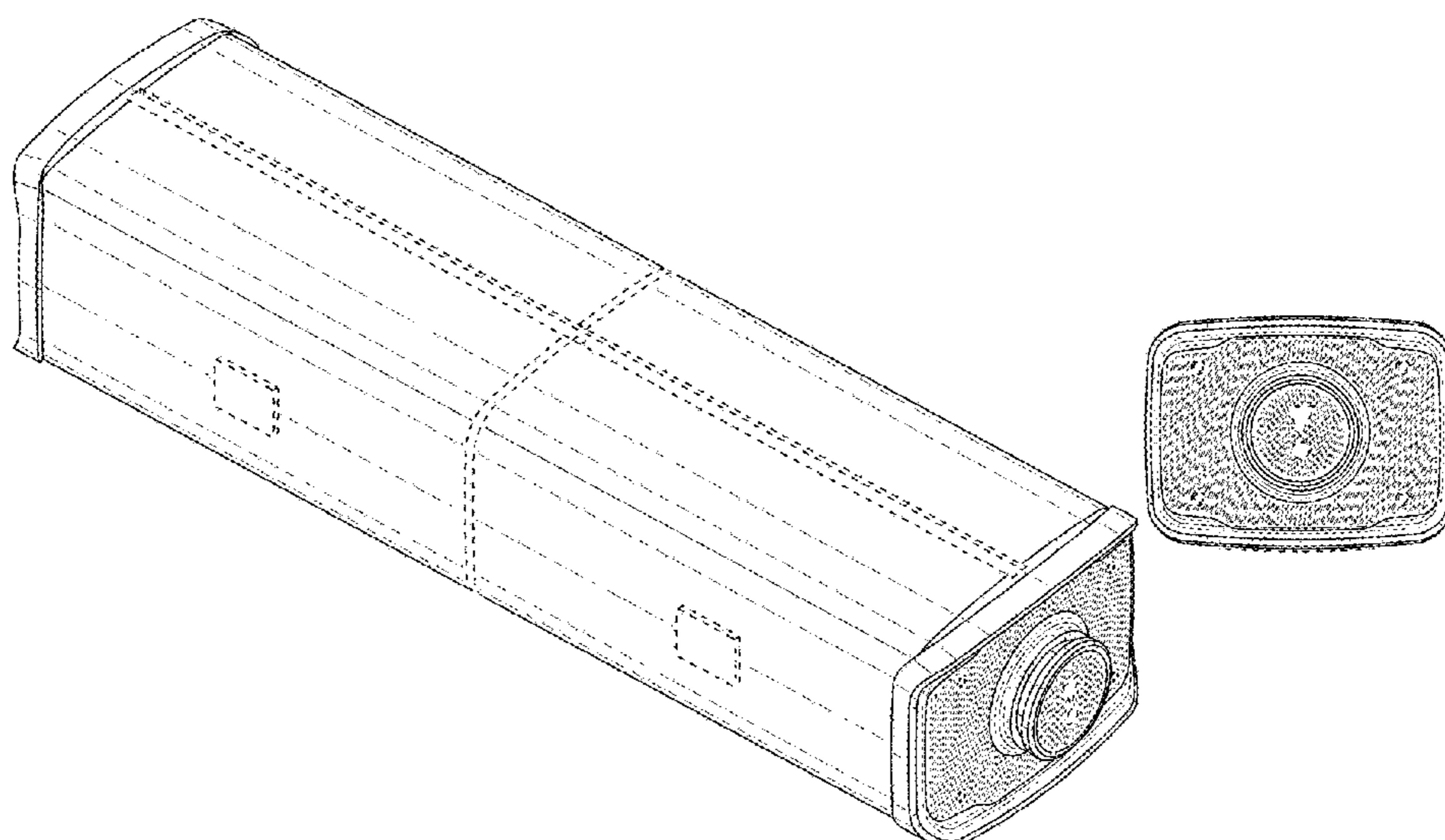
(57) **CLAIM**

The ornamental design for a loudspeaker, as shown and described.

DESCRIPTION

FIG. 1 is a top perspective view of a loudspeaker showing our new design;
FIG. 2 is a front elevational view thereof;
FIG. 3 is a rear elevational view thereof;
FIG. 4 is a side elevational view of one side thereof;
FIG. 5 is an opposite side elevational view thereof;
FIG. 6 is a top view thereof; and,
FIG. 7 is a bottom view thereof.
The broken lines illustrate portions of the loudspeaker that form no part of the claimed design.

1 Claim, 7 Drawing Sheets



(56)

References Cited

OTHER PUBLICATIONS

U.S. PATENT DOCUMENTS

D665,348 S * 8/2012 Ledbetter D13/110
 D678,864 S * 3/2013 Behar D14/214
 D688,231 S * 8/2013 Nishii D14/214
 D711,852 S 8/2014 Mackiewicz et al.
 D719,932 S * 12/2014 Osborn D14/214
 D739,386 S 9/2015 Gattinger
 D754,104 S 4/2016 Yoon et al.
 D758,343 S 6/2016 Lindenberger et al.
 D758,992 S 6/2016 Garrett et al.
 D759,624 S * 6/2016 Byrd D14/204
 9,469,254 B1 10/2016 White et al.
 D783,574 S 4/2017 Garrett et al.
 D793,362 S 8/2017 Fischer
 D800,694 S * 10/2017 Sugiura D14/210
 D803,183 S 11/2017 Lum et al.
 D806,055 S 12/2017 Fischer et al.
 D817,307 S 5/2018 Spillmann et al.
 D826,216 S * 8/2018 Schoolmeester D14/214
 D844,557 S * 4/2019 Wang D13/103
 D845,269 S 4/2019 Fang et al.
 D853,989 S * 7/2019 Spillmann D14/214
 D856,301 S 8/2019 Lum et al.
 D862,415 S 10/2019 Krizan et al.
 D868,726 S 12/2019 Kim et al.
 D874,426 S 2/2020 Kim
 D886,799 S 6/2020 Fang et al.
 D893,455 S 8/2020 Winton et al.
 D906,278 S * 12/2020 Laine D14/204
 D906,283 S * 12/2020 Schoolmeester D14/214
 D906,286 S * 12/2020 Hung D14/214
 D909,331 S 2/2021 Sretovic
 D911,303 S 2/2021 Yang et al.
 D918,858 S 5/2021 Kim et al.
 D924,836 S 7/2021 Brown et al.
 D926,721 S 8/2021 Kim
 2012/0063618 A1 * 3/2012 Tanaka H04R 3/12
 381/303
 2012/0300962 A1 * 11/2012 Devoto H04R 5/02
 455/41.3
 2015/0195635 A1 * 7/2015 Garfio H04R 31/006
 381/386

Design U.S. Appl. No. 29/740,620, filed Jul. 6, 2020.
 Design U.S. Appl. No. 29/777,765, filed Apr. 8, 2021.
 Design U.S. Appl. No. 29/777,775, filed Apr. 8, 2021.
 Design U.S. Appl. No. 29/802,822, filed Aug. 9, 2021.
 Design U.S. Appl. No. 29/802,826, filed Aug. 9, 2021.
 Design U.S. Appl. No. 29/802,828, filed Aug. 9, 2021.
 Bazooka BPB24/BPB24-DS BPB36 Installation Instructions, Dec. 12, 2016.
 MTX Audio MUDSYS31/41/46 MTX005072E Owner's Manual, Mitek Corporation, 2016.
 Hifonics Thor TPS-10 Bluetooth Soundbar, Crutchfield, 2017. Retrieved Oct. 19, 2021 from Internet: <https://www.crutchfield.com/S-J3fPxe7Yw8W/p_510TPS10/Hifonics-Thor-TPS-10.html>.
 JBL Stadium UB4100 Amplified Powersports Soundbar Spec Sheet, Harman International Industries, Incorporated, 2017.
 JBL Stadium UB4100 Amplified Powersports Soundbar Owner's Manual, Harman International Industries, Incorporated, 2017.
 PowerBass Xtreme XL-1200 Amplified Soundbar Application Guide, PowerBass USA, Inc., 2017.
 MB Quart Nautic NSB10V1 Amplified Soundbar, Crutchfield, Jan. 3, 2019. Retrieved Oct. 19, 2021 from Internet: <https://web.archive.org/web/20190103223753/https://www.crutchfield.com/p_049NSB10V1/MB-Quart-Nautic-NSB10V1.html>.
 MTX Audio MUDSYS46 Bluetooth Overhead UTV Audio System, MTX Audio, Aug. 5, 2020. Retrieved Oct. 19, 2021 from Internet: <<https://web.archive.org/web/20200805222401/https://www.mbc.com/mudsys46-bluetooth-overhead-utv-audio-system>>.
 Memphis MXASB35 Powersports Soundbar, Memphis Audio, Sep. 22, 2020. Retrieved Oct. 19, 2021 from Internet: <<https://web.archive.org/web/20200922041942/https://www.memphiscaraudio.com/product-page/mxasb35>>.
 Hifonics TPS6/TPS10 Soundbars Operators Guide, Maxxsonics, date unknown.
 Memphis Xtreme Audio MXASB35 All Weather Clamp Mount Sound Bar Product Manual & Installation Guide, Memphis Car Audio, date unknown.
 Wet Sounds Catalog, Wet Sounds, Summer 2017.

* cited by examiner

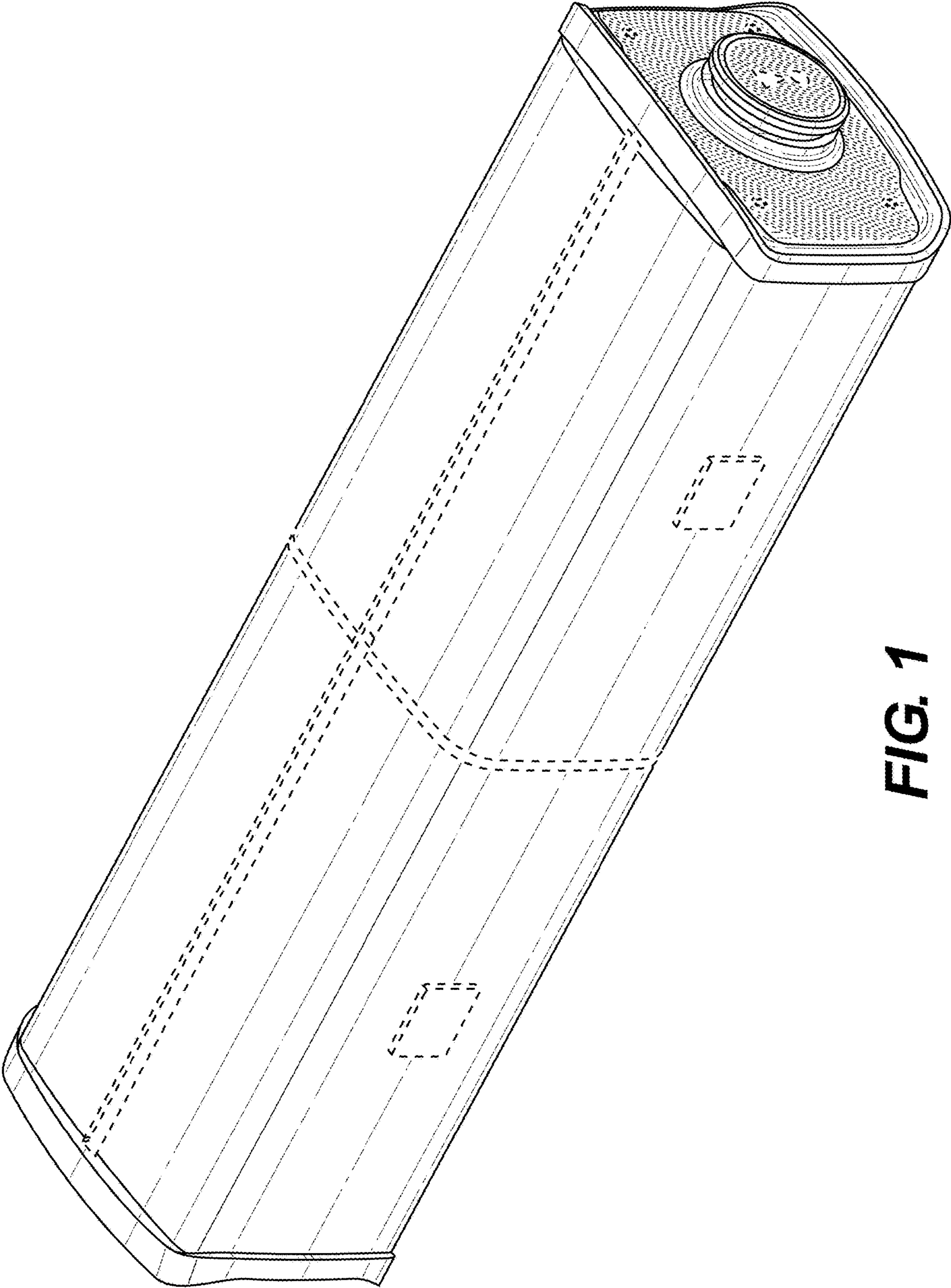


FIG. 1

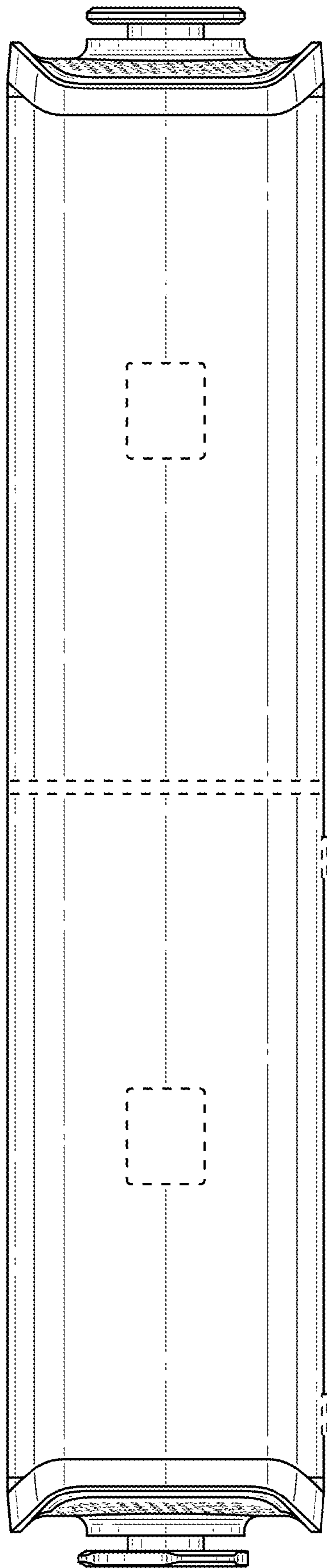


FIG. 2

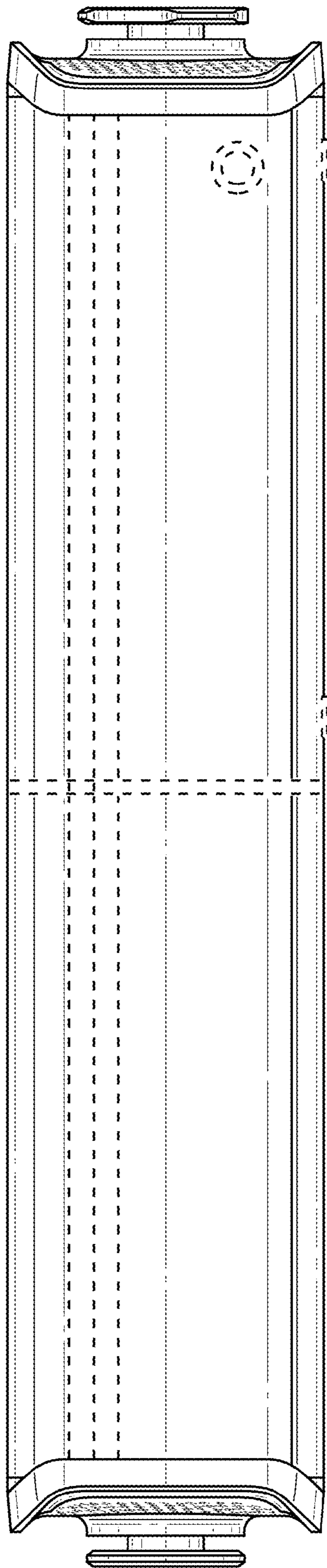


FIG. 3

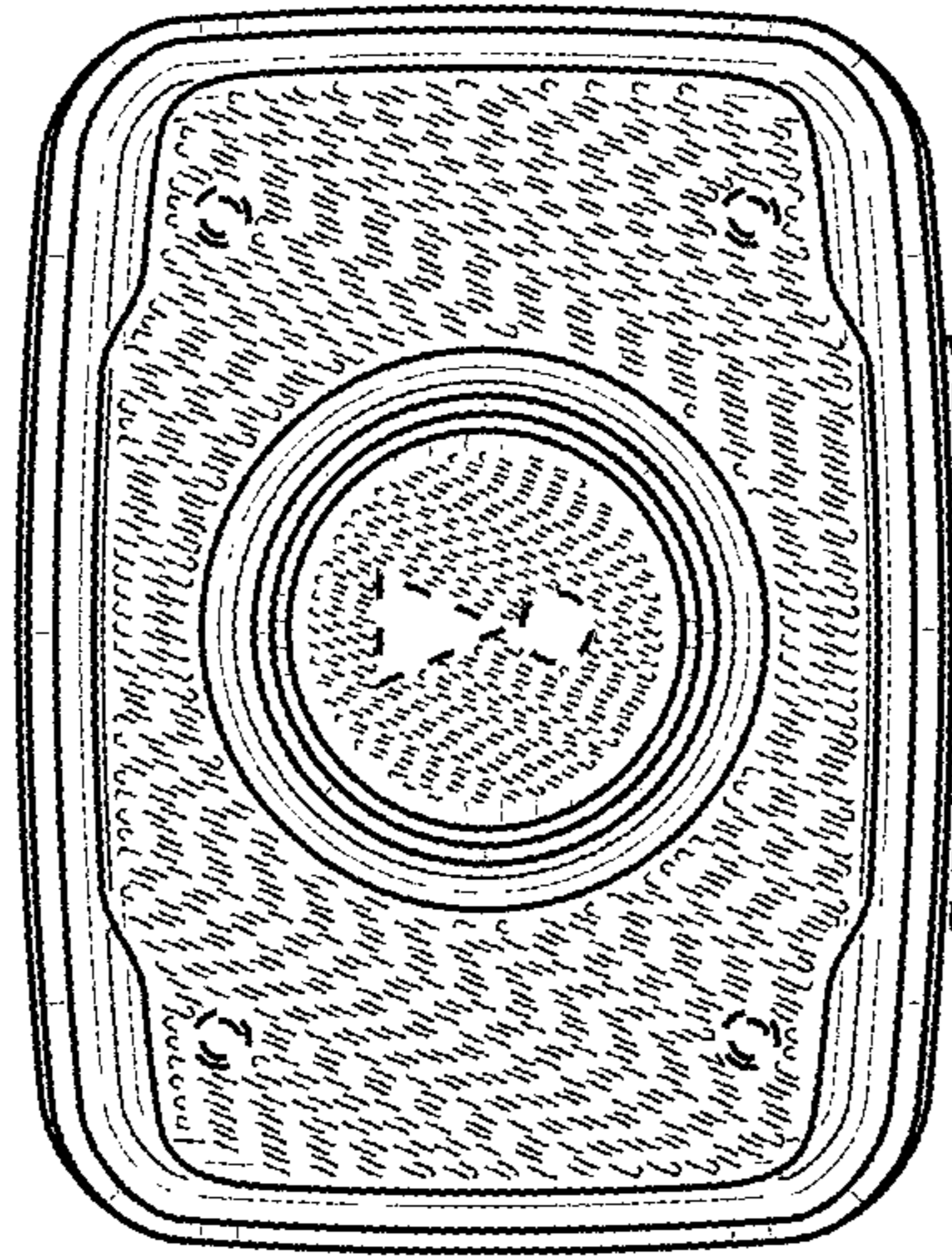


FIG. 4

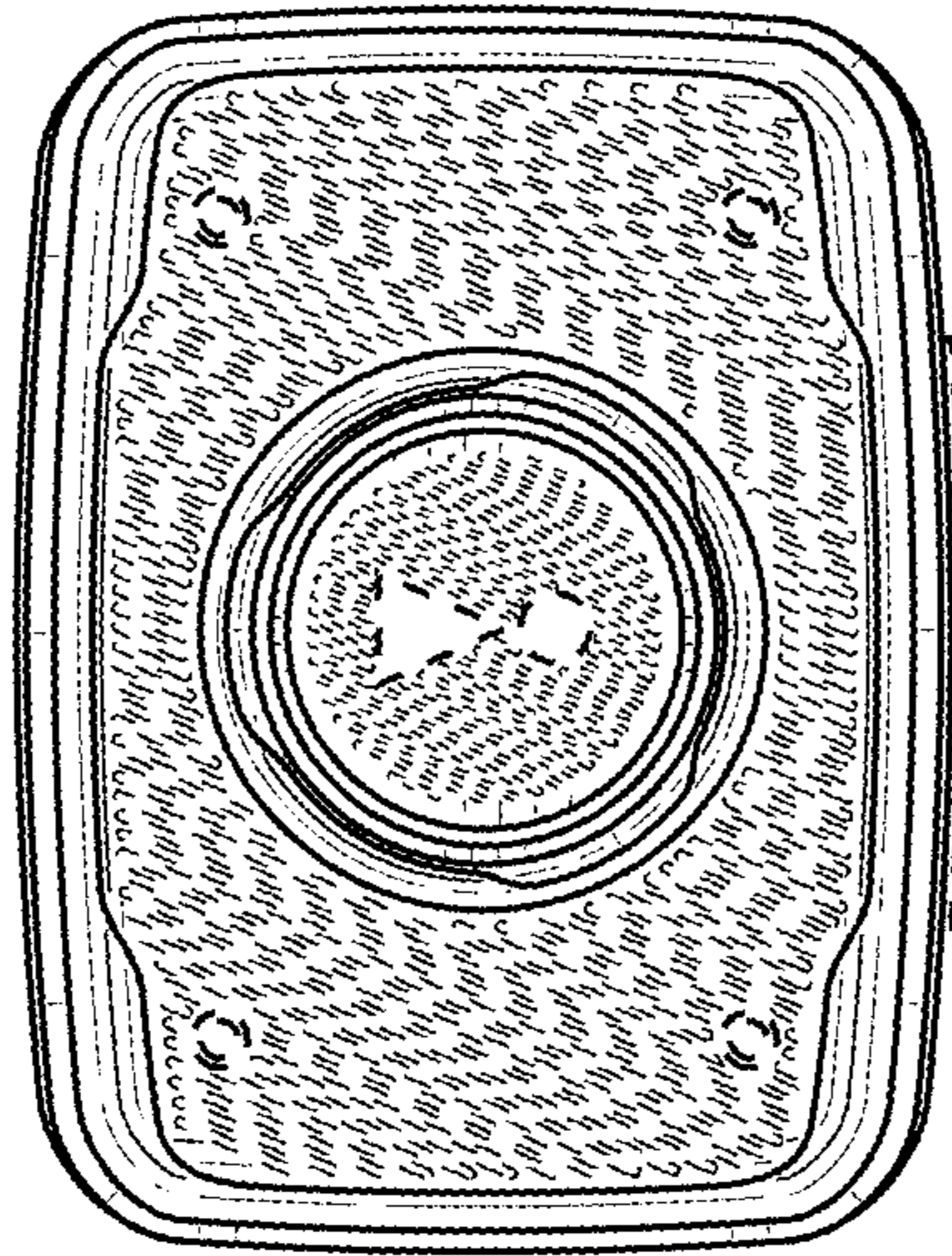


FIG. 5

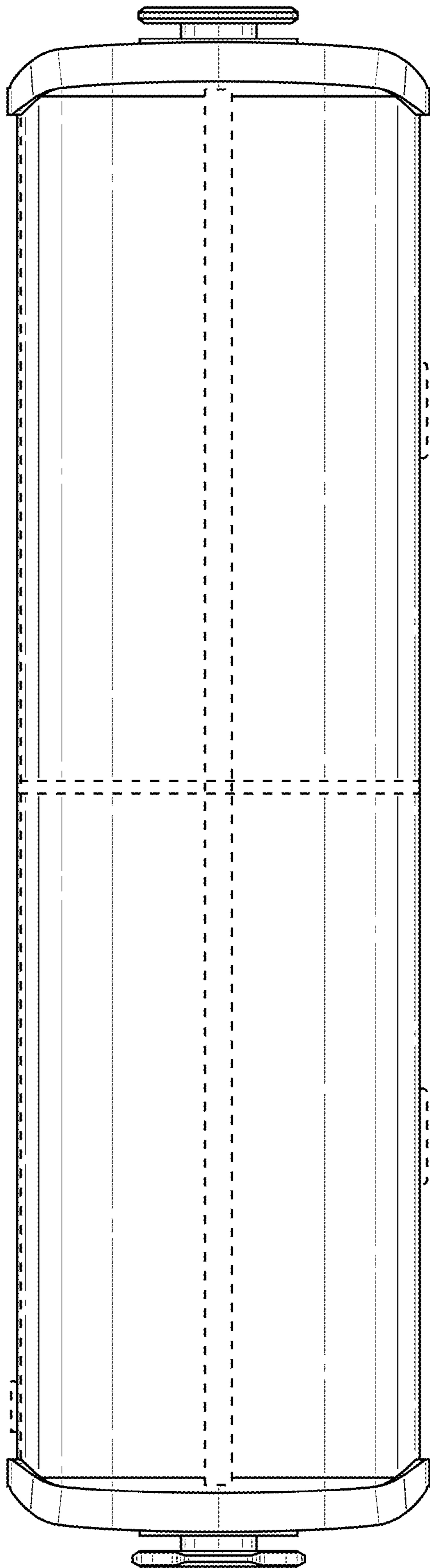


FIG. 6

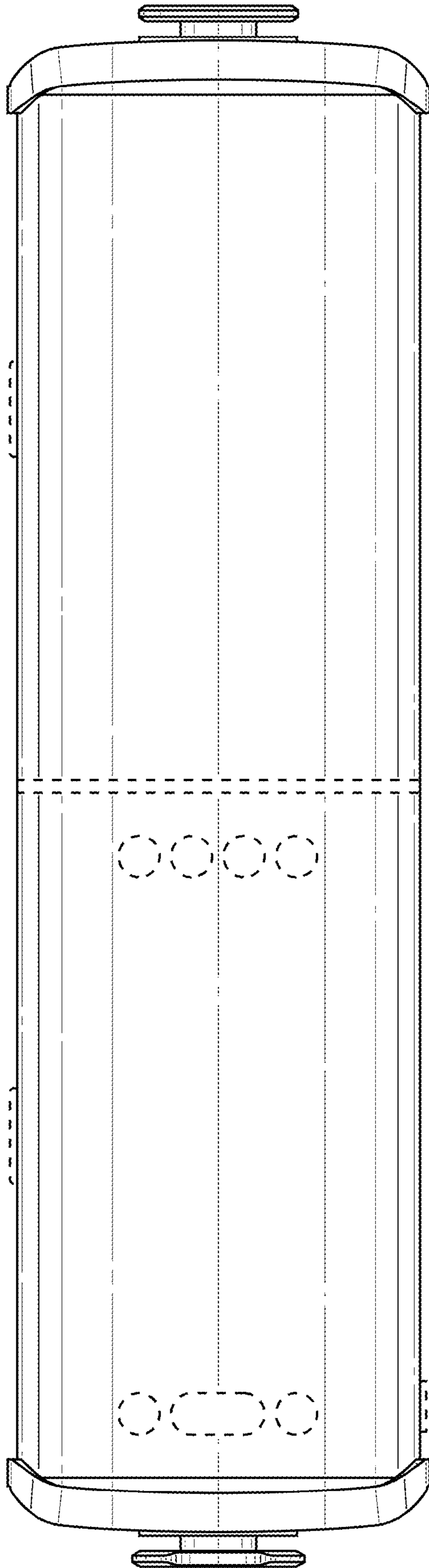


FIG. 7