



US00D984409S

(12) **United States Design Patent**
Cervantes

(10) **Patent No.:** **US D984,409 S**

(45) **Date of Patent:** **** Apr. 25, 2023**

- (54) **HEADSET**
- (71) Applicant: **Logitech Europe S.A.**, Lausanne (CH)
- (72) Inventor: **Nathaniel G Cervantes**, San Francisco, CA (US)
- (73) Assignee: **Logitech Europe S.A.**, Lausanne (CH)
- (**) Term: **15 Years**
- (21) Appl. No.: **29/776,289**
- (22) Filed: **Mar. 29, 2021**
- (51) **LOC (14) Cl.** **14-01**
- (52) **U.S. Cl.**
USPC **D14/205**
- (58) **Field of Classification Search**
USPC D14/205, 188, 192, 206; D29/112;
2/209; 381/380, 381, 370, 374
CPC H04R 25/00; H04R 25/02; H04R 1/1066;
H04R 1/1016; H04R 5/033; H04R
5/0335; H04R 1/105; H04R 1/1008;
H04R 1/1091
See application file for complete search history.

- 7,457,649 B1 * 11/2008 Wilson H04R 1/1025
381/374
- D592,639 S * 5/2009 Kuh D14/205
- D600,674 S * 9/2009 Brennwald D14/205
- D613,266 S * 4/2010 Barry D14/205
- 7,885,419 B2 * 2/2011 Wahl H04M 1/05
381/74
- D686,593 S * 7/2013 Larsen D14/205
- D725,630 S * 3/2015 Nakagawa D14/205
- D778,258 S * 2/2017 Hsu D14/205
- D843,349 S * 3/2019 Burgess D14/206
- D864,157 S * 10/2019 Hu D14/206
- D878,328 S * 3/2020 Tsubone D14/205
- 2002/0131616 A1 * 9/2002 Bronnikov H04R 1/083
381/376

(Continued)

FOREIGN PATENT DOCUMENTS

- EM 008584452-0001 * 6/2021
- EM 008735187-0003 * 10/2021

Primary Examiner — Paula Allen Greene

(74) *Attorney, Agent, or Firm* — Kilpatrick Townsend & Stockton LLP

(57) **CLAIM**

The ornamental design for a headset, as shown and described.

DESCRIPTION

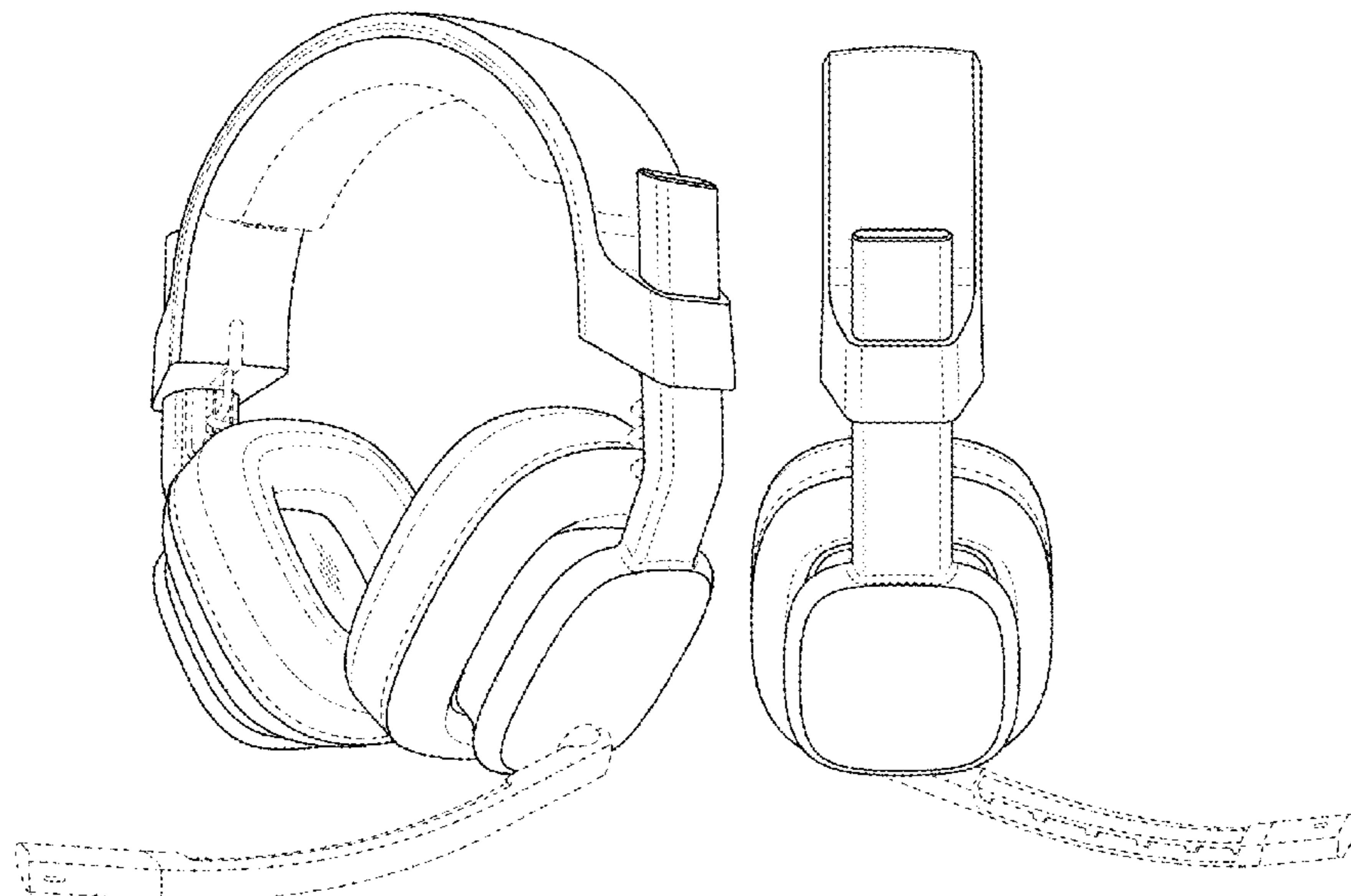
FIG. 1 is a front, right side perspective view of a headset showing my new design;
 FIG. 2 is rear, left side perspective view thereof;
 FIG. 3 is a front elevation view thereof;
 FIG. 4 is a rear elevation view thereof;
 FIG. 5 is a top plan view thereof;
 FIG. 6 is a bottom plan view thereof;
 FIG. 7 is a left side elevation view thereof; and,
 FIG. 8 is a right side elevation view thereof.
 The broken lines depict portions of the headset in which the design is embodied that form no part of the claimed design.

1 Claim, 8 Drawing Sheets

(56) **References Cited**

U.S. PATENT DOCUMENTS

- 1,483,315 A * 2/1924 Saal H04R 1/1066
381/374
- D255,569 S * 6/1980 Lung D14/168
- D376,598 S * 12/1996 Hayashi D14/206
- 5,640,458 A * 6/1997 Nishiguchi H04R 5/033
704/229
- 6,016,347 A * 1/2000 Magnasco H04R 1/1041
379/430
- D519,110 S * 4/2006 Komiyama D14/223
- D519,497 S * 4/2006 Komiyama D14/223
- D549,694 S * 8/2007 Viduya D14/223
- D576,604 S * 9/2008 Suzuki D14/205
- D581,394 S * 11/2008 Lee D14/205



(56)

References Cited

U.S. PATENT DOCUMENTS

2006/0104471 A1* 5/2006 Tsunoda H04R 1/1041
381/370
2008/0056525 A1* 3/2008 Fujiwara H04R 1/1066
381/374
2009/0238397 A1* 9/2009 Reiss H04R 1/1058
381/375
2017/0272852 A1* 9/2017 Kamada H04R 1/1075

* cited by examiner



FIG. 1



FIG. 2

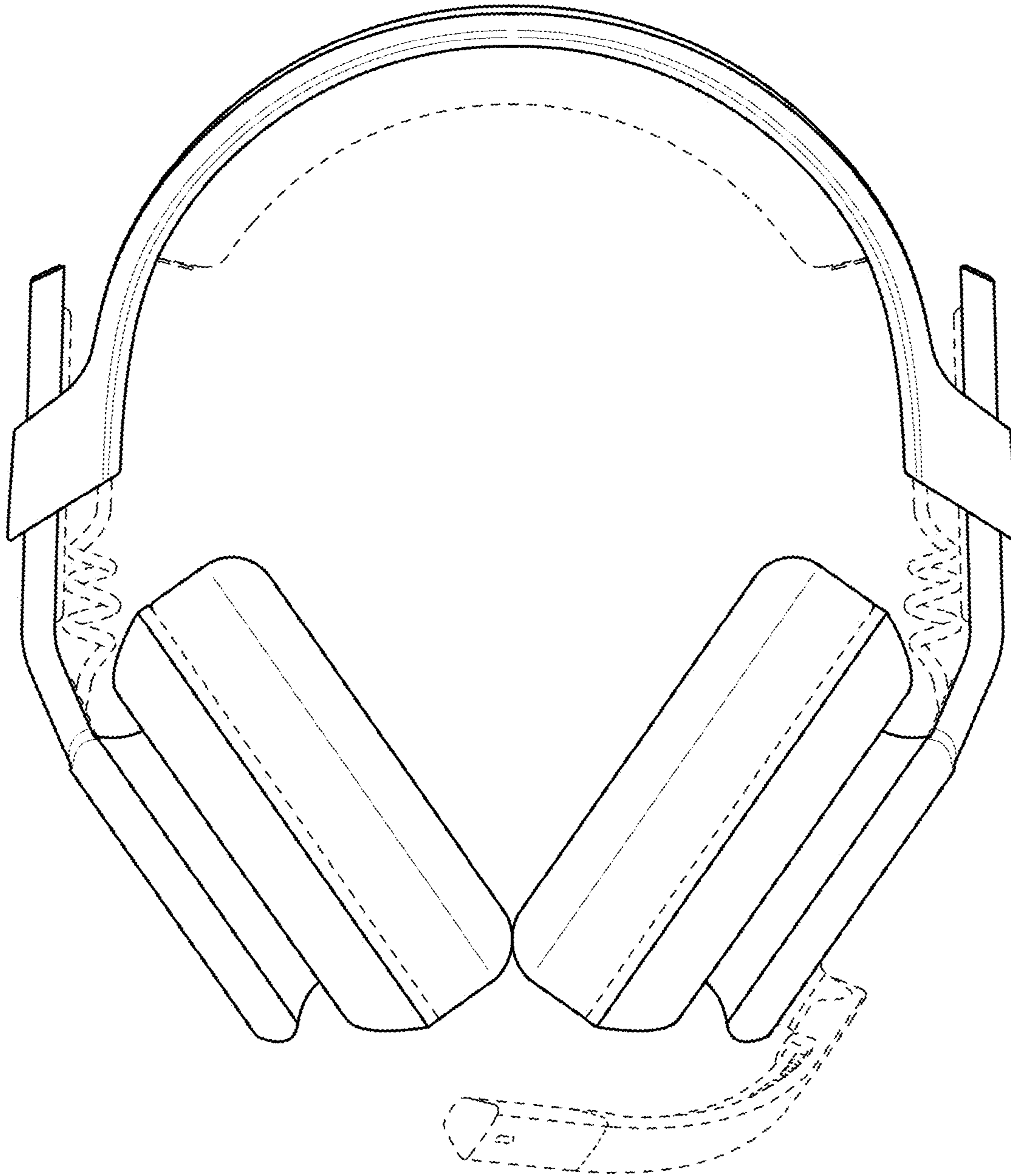


FIG. 3



FIG. 4

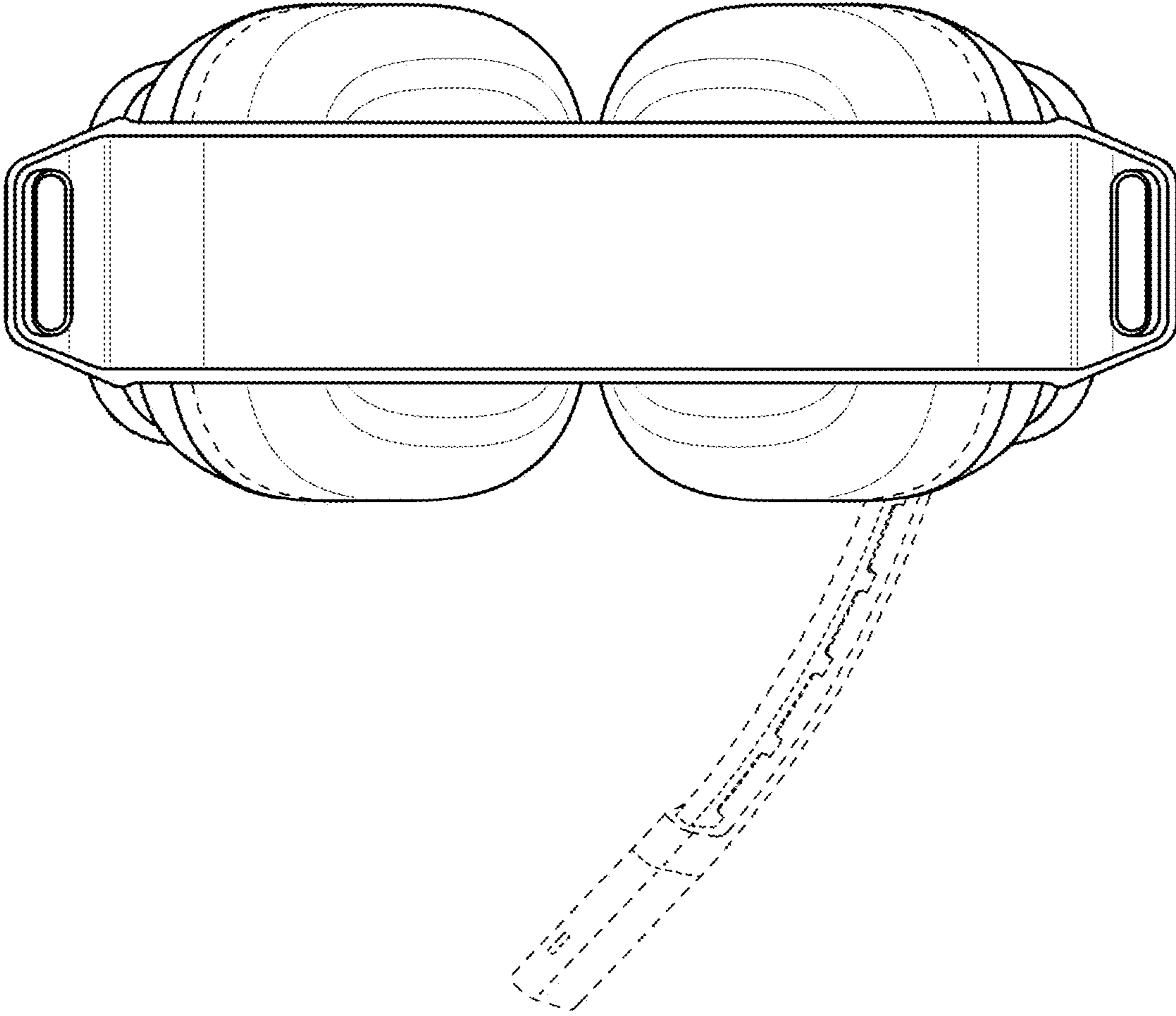


FIG. 5

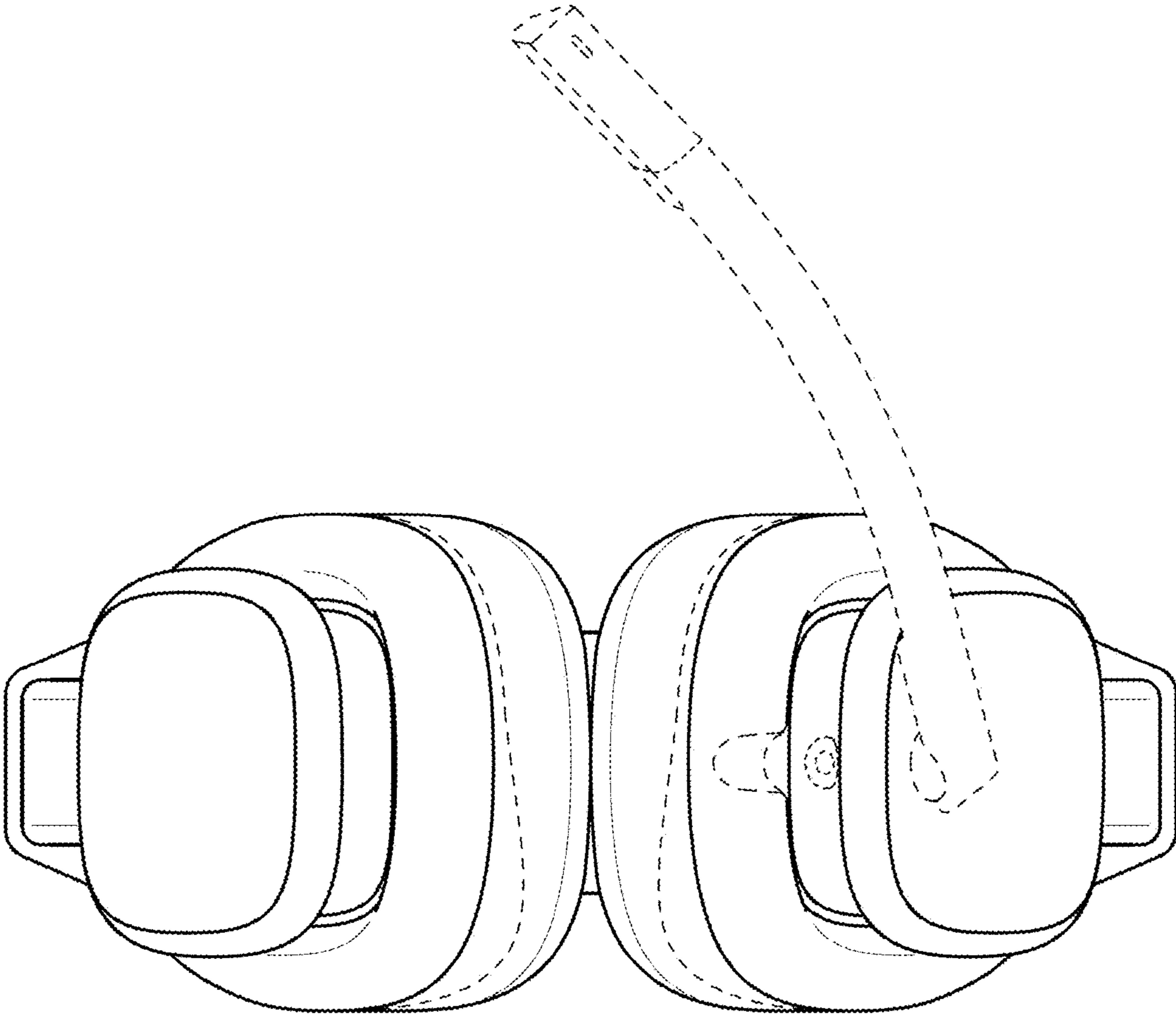


FIG. 6

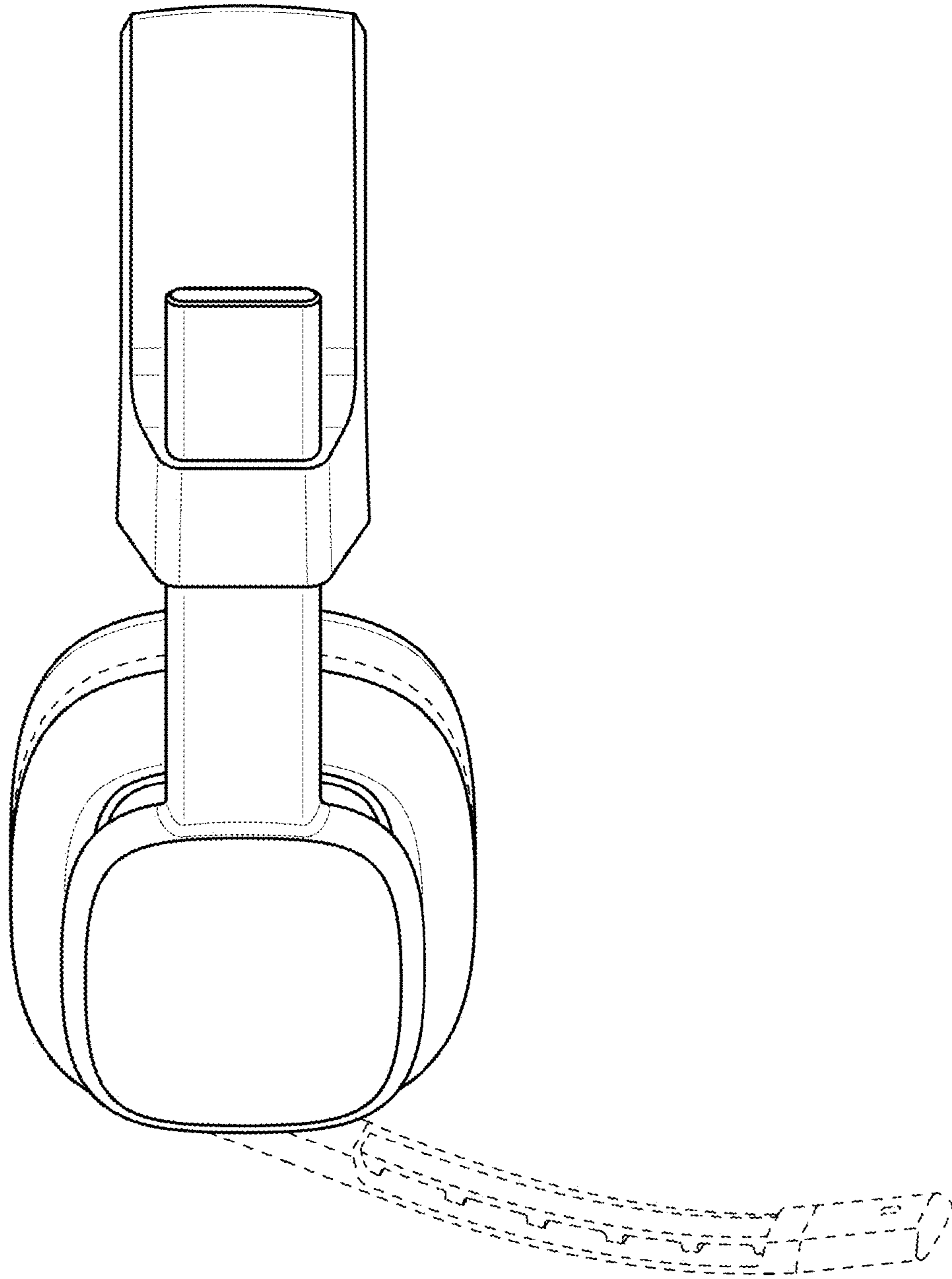


FIG. 7

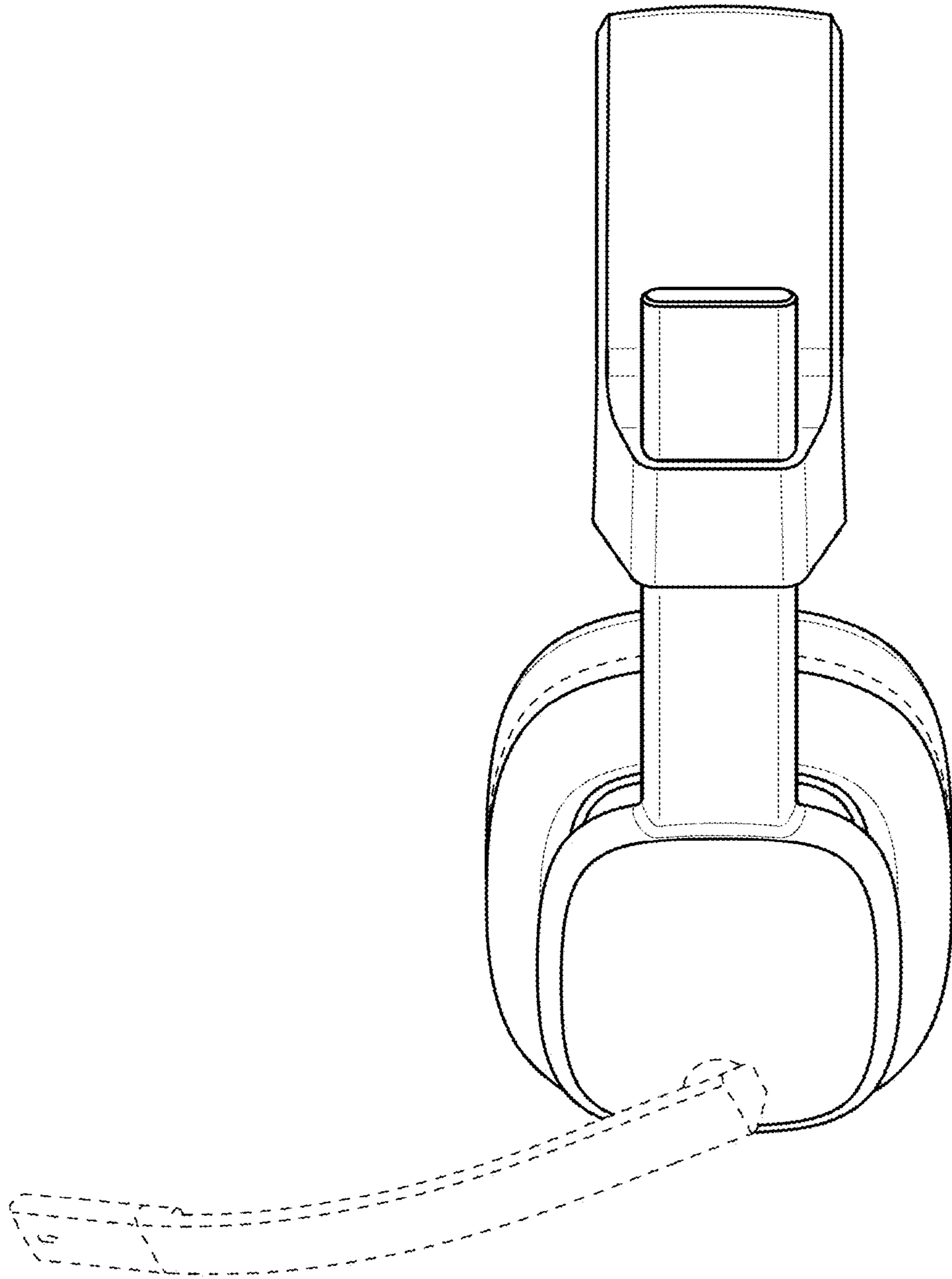


FIG. 8