



US00D984406S

(12) **United States Design Patent**
Mai

(10) **Patent No.:** **US D984,406 S**

(45) **Date of Patent:** **** Apr. 25, 2023**

(54) **RECEIVER**

(71) Applicant: **Shenzhen Xunweijia Technology Development Co., Ltd., Shenzhen (CN)**

(72) Inventor: **Qibin Mai, Gaoyang (CN)**

(**) Term: **15 Years**

(21) Appl. No.: **29/824,620**

(22) Filed: **Jan. 26, 2022**

(51) **LOC (14) Cl.** **14-03**

(52) **U.S. Cl.**
USPC **D14/188**

(58) **Field of Classification Search**
USPC D13/108, 168; D14/435.1, 481.1-7, 433, D14/356, 217, 218, 496
CPC H01R 13/44; H05K 5/0278; G06K 19/07732; H01H 9/0235; H04N 21/4221
See application file for complete search history.

(56) **References Cited**

U.S. PATENT DOCUMENTS

| | | | | | |
|------------|---|---------|------------|-------|-----------|
| D512,403 S | * | 12/2005 | Yang | | D14/203.3 |
| D535,972 S | * | 1/2007 | Griffin | | D14/155 |
| D541,796 S | * | 5/2007 | Chen | | D14/480.7 |
| D545,809 S | * | 7/2007 | Griffin | | D14/155 |
| D549,210 S | * | 8/2007 | Neu | | D14/155 |
| D558,742 S | * | 1/2008 | Koller | | D14/225 |
| D688,272 S | * | 8/2013 | Lee | | D14/496 |
| D753,090 S | * | 4/2016 | Langhammer | | D14/203.3 |
| D788,041 S | * | 5/2017 | Akana | | D13/147 |
| D828,363 S | * | 9/2018 | Turksu | | D14/480.5 |
| D839,876 S | * | 2/2019 | Turksu | | D14/433 |
| D864,205 S | * | 10/2019 | Wang | | D14/433 |
| D868,742 S | * | 12/2019 | Cao | | D14/224.1 |
| D877,111 S | | 3/2020 | Yu | | |
| D902,152 S | * | 11/2020 | Liao | | D13/110 |
| D925,502 S | * | 7/2021 | Jia | | D14/225 |
| D929,997 S | * | 9/2021 | Liu | | D14/433 |

| | | | | | |
|-----------------|---|---------|------|-------|------------------------|
| D944,754 S | * | 3/2022 | Yu | | D14/155 |
| D959,414 S | * | 8/2022 | Deng | | D14/225 |
| 2010/0281209 A1 | * | 11/2010 | Ni | | H05K 5/0278 439/131 |

FOREIGN PATENT DOCUMENTS

CN 202230151323.6 * 5/2022

OTHER PUBLICATIONS

[Fifine Wireless Lavalier Lapel Microphone System for Phones/ Tablets], available in Amazon.com, date first available Feb. 26, 2022 [online], [site visited Sep. 13, 2022], Available from the internet URL: <https://www.amazon.com/FIFINE-Microphone-Condenser-Omnidirectional-Recording-M6/dp/B09TQKLFKP> (Year: 2022).*

* cited by examiner

Primary Examiner — Khawaja Anwar
Assistant Examiner — Megan Tiana Rakos

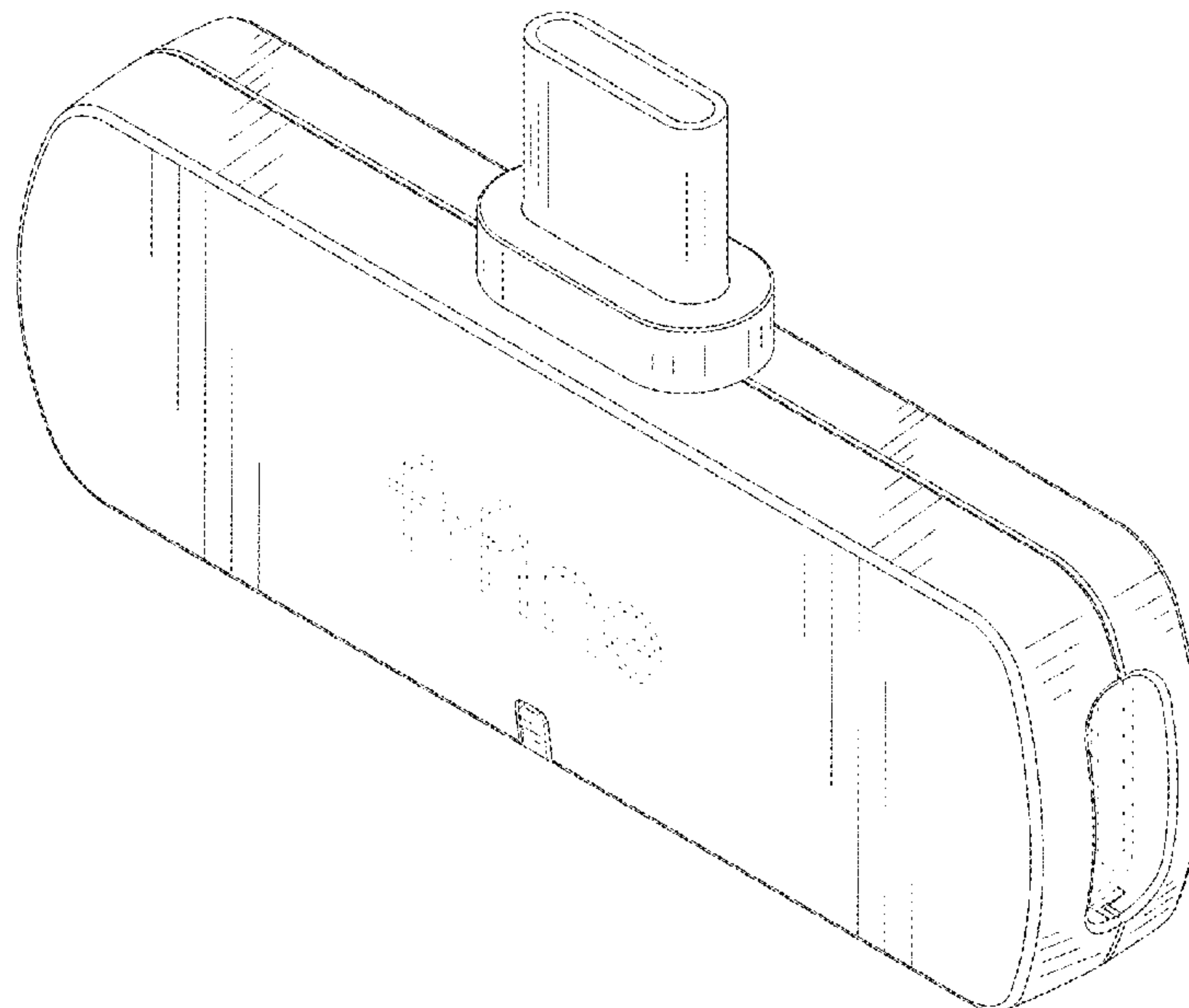
(57) **CLAIM**

The ornamental design for receiver, substantially as shown and described.

DESCRIPTION

FIG. 1 is a front perspective view of receiver, showing my new design;
FIG. 2 is a front view thereof;
FIG. 3 is a rear view thereof;
FIG. 4 is a left side view thereof;
FIG. 5 is a right side view thereof;
FIG. 6 is a top view thereof; and,
FIG. 7 is a bottom view thereof.
The broken lines in the drawings illustrate the portions of receiver, which form no part of the claimed design.

1 Claim, 7 Drawing Sheets



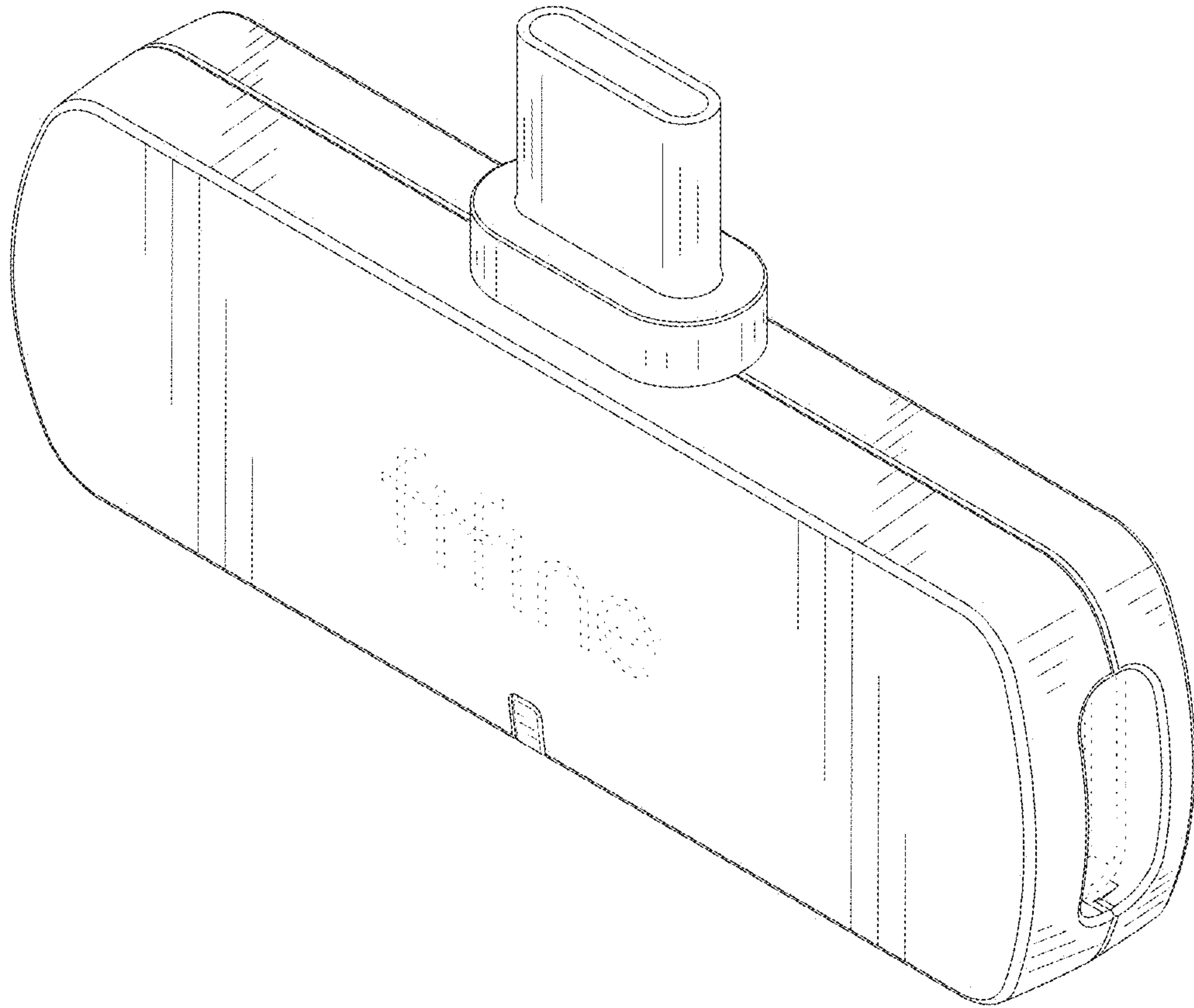


FIG. 1

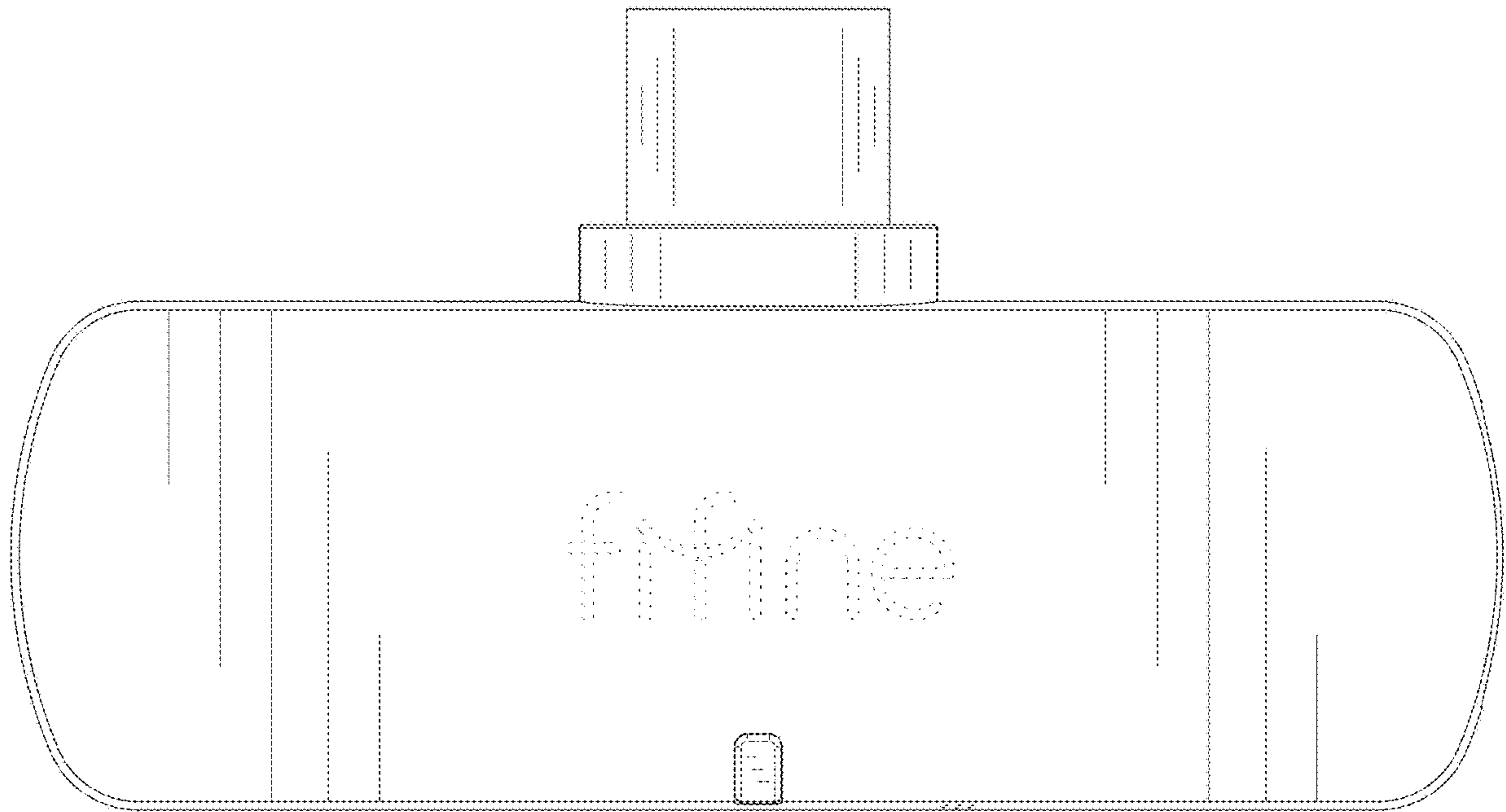


FIG. 2

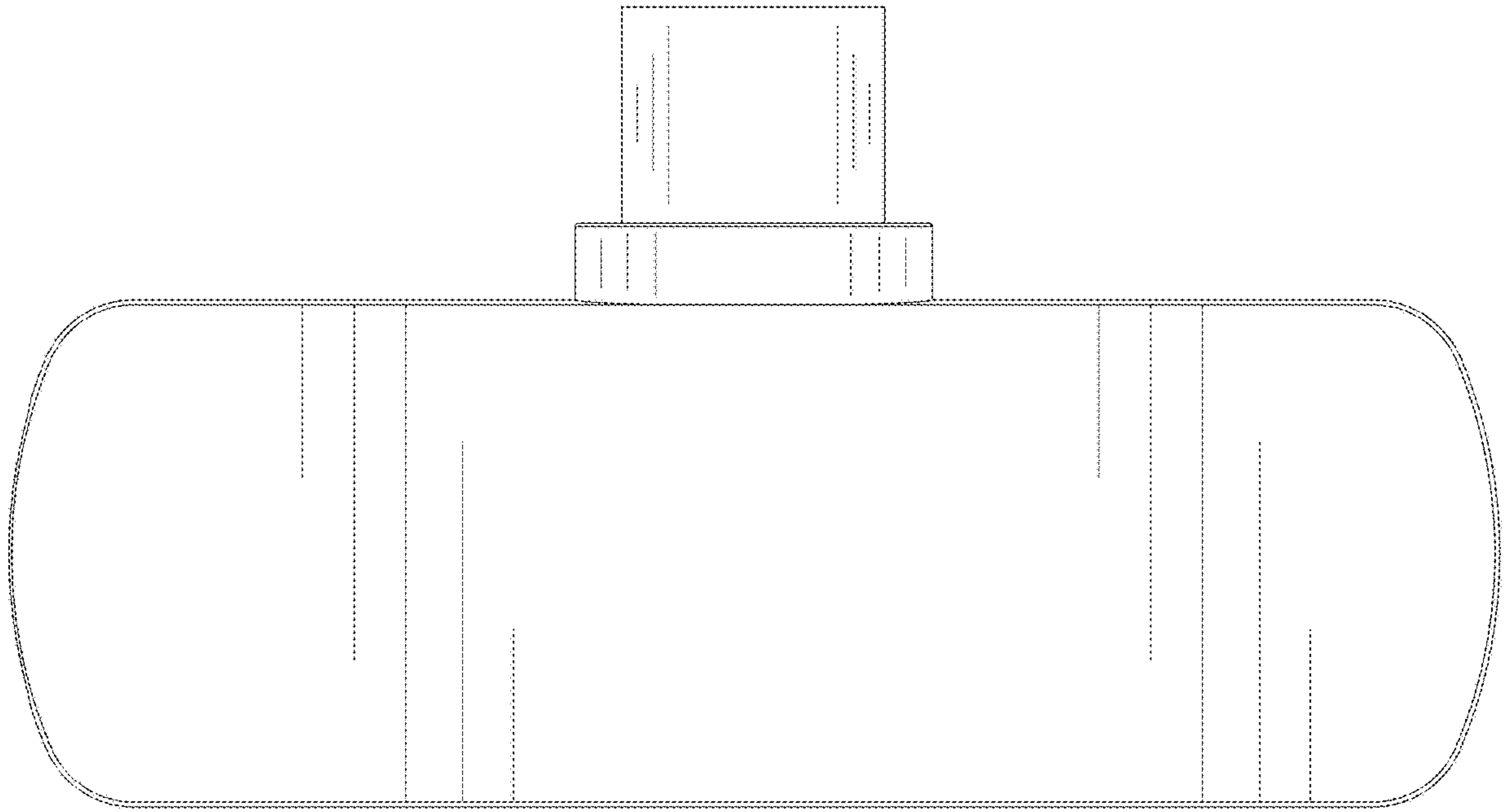


FIG. 3

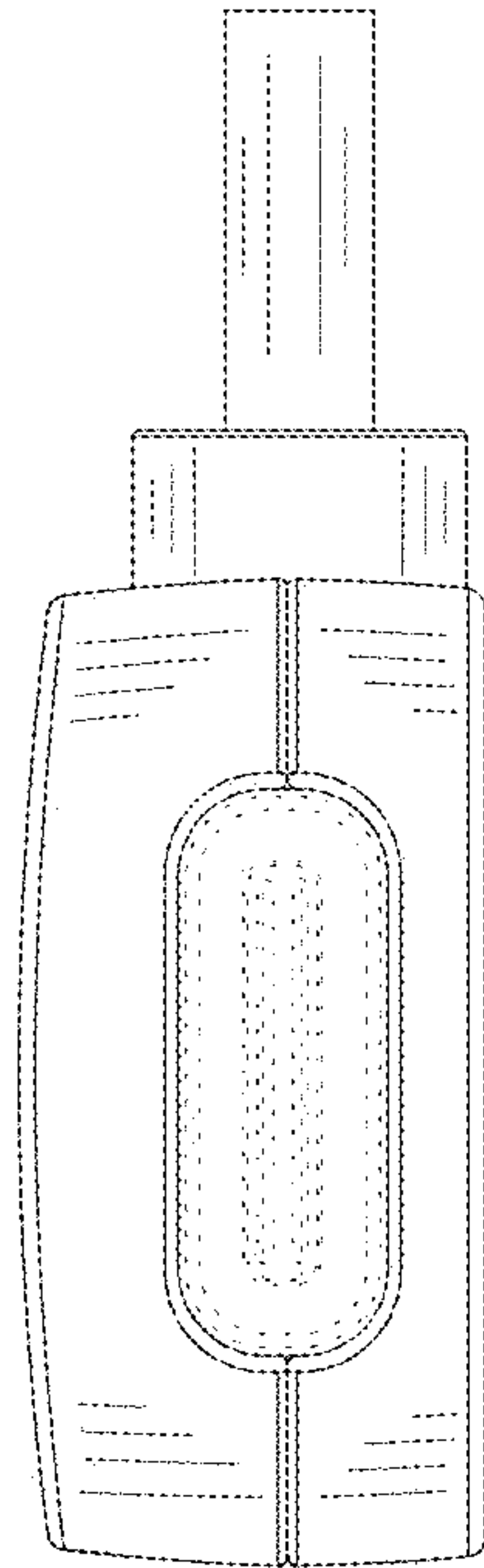


FIG. 4

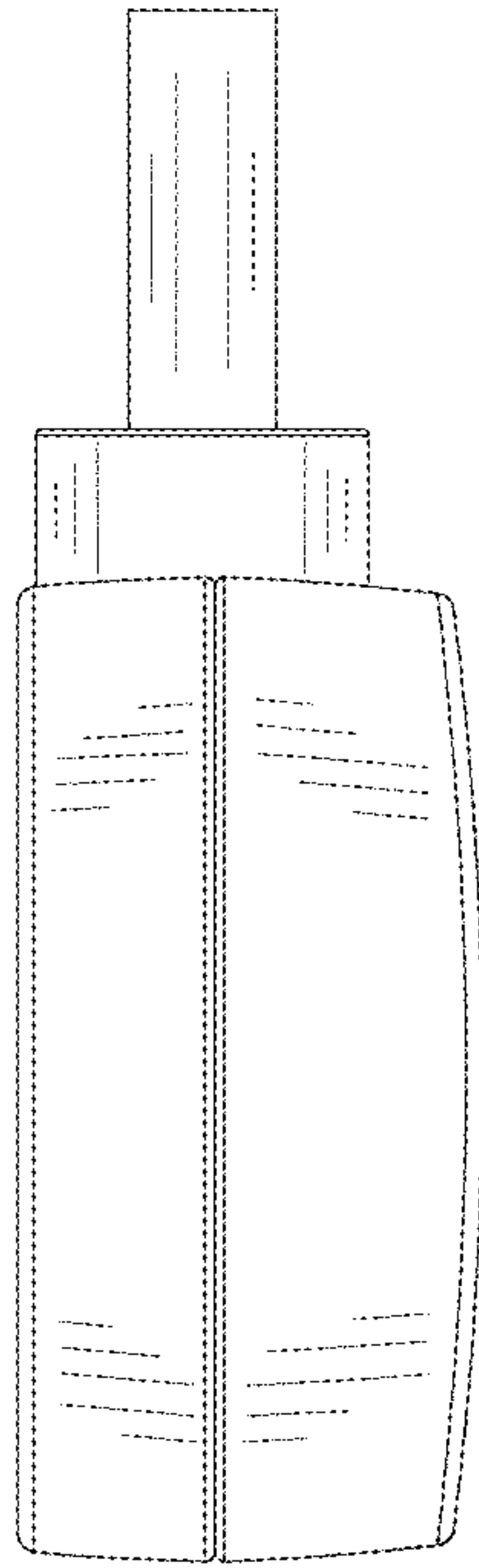


FIG. 5

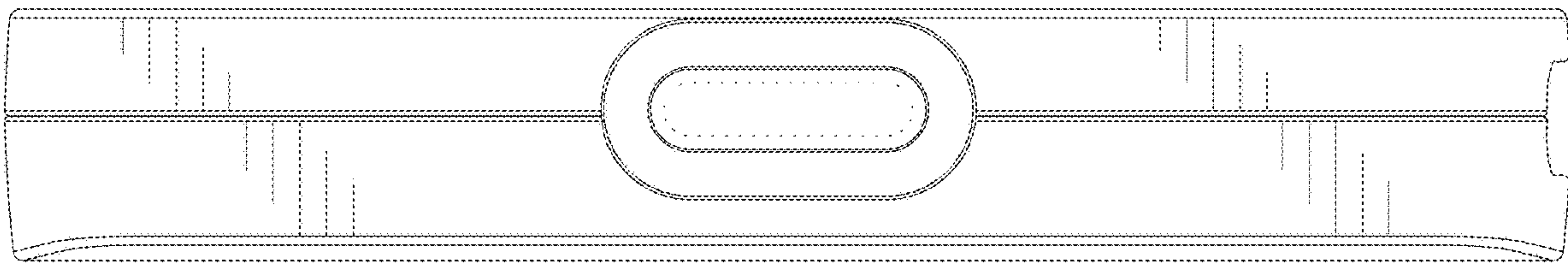


FIG. 6

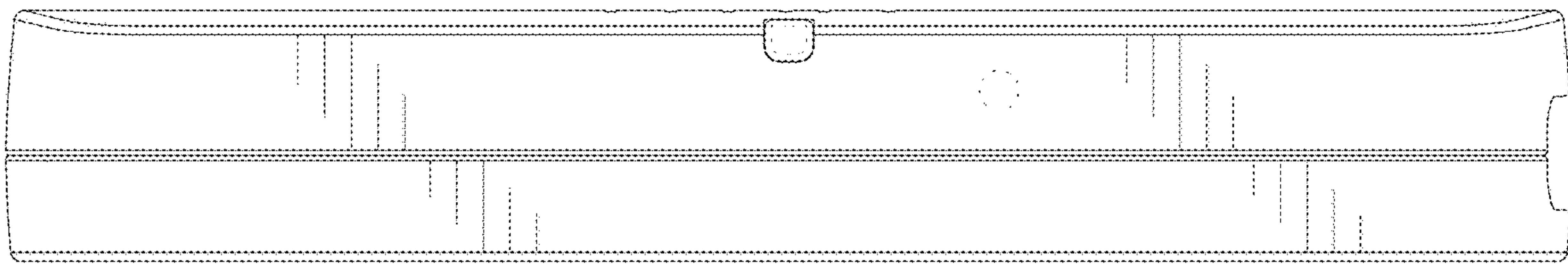


FIG. 7