



US00D984404S

(12) **United States Design Patent**
Wang et al.

(10) **Patent No.:** **US D984,404 S**
(45) **Date of Patent:** **** Apr. 25, 2023**

(54) **DESK PHONE**

DESCRIPTION

(71) Applicant: **Plantronics, Inc.**, Santa Cruz, CA (US)

(72) Inventors: **Bowman Wang**, Corralitos, CA (US);
George Janour, Santa Cruz, CA (US)

(73) Assignee: **Plantronics, Inc.**, Santa Cruz, CA (US)

(**) Term: **15 Years**

(21) Appl. No.: **29/740,376**

(22) Filed: **Jul. 2, 2020**

(51) **LOC (14) Cl.** **14-03**

(52) **U.S. Cl.**

USPC **D14/151**

(58) **Field of Classification Search**

USPC ... D14/140, 140.1, 140.7, 140.8, 141.2, 142,
D14/144, 147, 148, 149, 150, 151, 158,
(Continued)

(56) **References Cited**

U.S. PATENT DOCUMENTS

D263,589 S 3/1982 Read
D282,066 S 1/1986 Menei et al.
(Continued)

FOREIGN PATENT DOCUMENTS

TW D176839 7/2016

OTHER PUBLICATIONS

Poly Edge E400 IP Desk Phone, retrieved from: <https://www.amazon.com/Poly-Edge-Phone-Plantronics-Polycomm/dp/B0B7PXR7H9>,
retrieved on Jan. 18, 2023, pp. 7.

Primary Examiner — Marie D. Fast Horse

(74) *Attorney, Agent, or Firm* — Quarles & Brady LLP

(57) **CLAIM**

The ornamental design for a desk phone, as shown and described.

This application is filed concurrently with the U.S. Design application Ser. No. 29/740,375 and entitled “Desk Phone and Portion(s) Thereof” by Bowman WANG et al., which is herein incorporated by reference in its entirety.

This application is filed concurrently with the U.S. Design application Ser. No. 29/740,377 and entitled “Desk Phone and Portion(s) Thereof” by Bowman WANG et al., which is herein incorporated by reference in its entirety.

This application is filed concurrently with the U.S. Design application Ser. No. 29/740,381 and entitled “Desk Phone Expansion Module and Portion(s) Thereof” by Bowman WANG et al., which is herein incorporated by reference in its entirety.

FIG. 1 is a front-right perspective view of a first embodiment of a desk phone, showing our new design;

FIG. 2 is a top-left-back perspective view thereof;

FIG. 3 is a bottom view thereof;

FIG. 4 is a top view thereof;

FIG. 5 is a left-side view thereof;

FIG. 6 is a right-side view thereof;

FIG. 7 is a front view thereof;

FIG. 8 is a back view thereof;

FIG. 9 is a front-right perspective view of a second embodiment of a desk phone, showing our new design;

FIG. 10 is a top-left-back perspective view thereof;

FIG. 11 is a bottom view thereof;

FIG. 12 is a top view thereof;

FIG. 13 is a left-side view thereof;

FIG. 14 is a right-side view thereof;

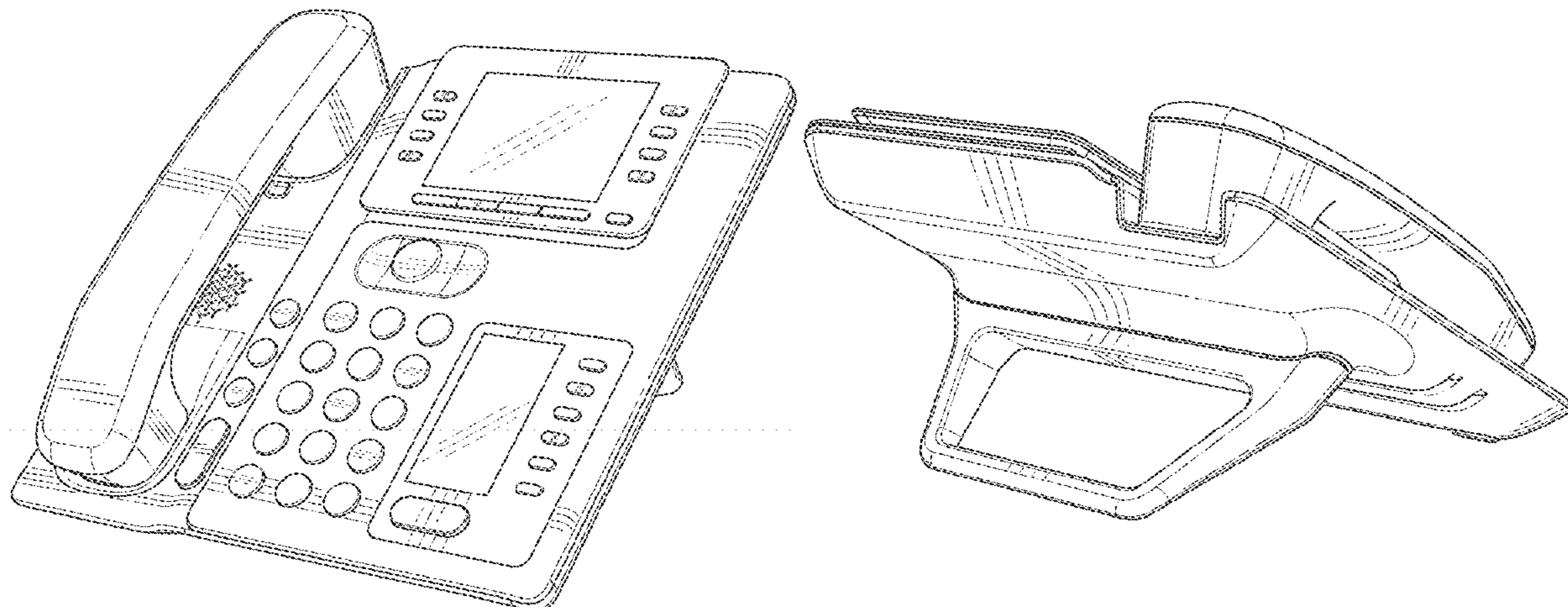
FIG. 15 is a front view thereof; and,

FIG. 16 is a back view thereof.

The broken lines in FIGS. 8 and 16 depict portions of the desk phone that form no part of the claimed Design.

The thin, black lines shown in long dashes with intermittent breaks are shading and/or tangent lines to show contour of the surfaces or curved edges of a desk phone, and do not actually appear on the surface of the device.

1 Claim, 16 Drawing Sheets



US D984,404 S

- (58) **Field of Classification Search**
USPC D14/159, 188, 217, 240, 243, 247, 248,
D14/251, 299, 329, 330, 338, 130, 462,
D14/467, 471; D21/517
CPC H04M 1/00; H04M 1/003; H04M 1/02;
H04M 1/0289; H04M 1/0297; H04M
1/0214; H04M 1/03; H04M 1/23; H04M
1/253; H04M 1/2535; H04M 7/006
See application file for complete search history.

(56) **References Cited**

U.S. PATENT DOCUMENTS

D282,655 S * 2/1986 Kaku D14/141.1
D291,567 S * 8/1987 Read D14/149
D292,090 S * 9/1987 Shintomi D14/141.1
D293,783 S * 1/1988 Martinez D14/151
D295,623 S 5/1988 Gilberton
D296,437 S * 6/1988 Martinez D14/151
D298,618 S * 11/1988 Martinez D14/141.1
D299,456 S * 1/1989 Kuo D14/151
D300,025 S 2/1989 Honda
D301,475 S * 6/1989 Nagele D14/142
D303,114 S * 8/1989 Danielson D14/149
D304,326 S 10/1989 Perkins
D307,009 S * 4/1990 Boykiw D14/149
D311,398 S * 10/1990 Sugano D14/142
D314,374 S * 2/1991 Sasaki D14/151
D318,469 S * 7/1991 Joffe D14/146
D319,829 S 9/1991 Wu
D321,188 S 10/1991 Gordon
D323,657 S * 2/1992 Danielson D14/371
D324,036 S * 2/1992 Wakasa D14/329
D325,730 S 4/1992 van der Zon
D330,028 S * 10/1992 Gagnon D14/151
D330,201 S 10/1992 Preece et al.
D335,667 S 5/1993 Kawakami et al.
D346,785 S 5/1994 Lundell et al.
D349,899 S 8/1994 Siddoway et al.
D352,032 S 11/1994 Cowan
D356,087 S * 3/1995 Jarrett D14/151
5,432,836 A * 7/1995 Jarrett H04M 1/0297
379/435
D366,484 S * 1/1996 Levin D14/151
D368,091 S * 3/1996 Yoshihiko D14/151
D369,601 S 5/1996 Tomoike
D395,304 S 6/1998 Mori et al.
D401,235 S 11/1998 Fuke et al.
5,862,214 A * 1/1999 Aggus H04M 1/02
379/435
D408,817 S * 4/1999 Ishibashi D14/149
D410,229 S * 5/1999 Chiocchi D14/331
D411,987 S * 7/1999 Mizusugi D14/329
D412,171 S * 7/1999 Girardi D14/151
D423,001 S 4/2000 Shindo
D425,856 S 5/2000 Shindo
D426,536 S 6/2000 Shindo
D427,985 S * 7/2000 Takayama D14/151
D431,541 S 10/2000 Nagele et al.
D432,107 S 10/2000 Isonaga
D432,108 S 10/2000 Isonaga
D432,497 S 10/2000 Totsuka et al.
D433,677 S * 11/2000 Tsuge D13/184
D435,040 S * 12/2000 Shen D14/141.3
D442,158 S 5/2001 Isonaga
D457,509 S * 5/2002 Ohwada D14/151
D471,171 S 3/2003 Yamanouchi et al.
D471,527 S 3/2003 Yamanouchi et al.
D472,227 S * 3/2003 Takayama D14/151
D479,517 S * 9/2003 Weidinger D14/151
D481,698 S 11/2003 Yamada et al.
D481,699 S 11/2003 Jauregui et al.

D481,700 S 11/2003 Jauregui et al.
D489,700 S * 5/2004 Hillenmayer D14/151
D490,795 S * 6/2004 Watanabe D14/151
D499,711 S 12/2004 Baswell
D511,153 S 11/2005 dos Santos
D512,703 S * 12/2005 Ookawa D14/149
D529,477 S * 10/2006 Hsu D14/151
D529,894 S 10/2006 Yanagisawa et al.
D530,303 S 10/2006 Tang
D531,613 S 11/2006 Lesniak et al.
D535,277 S * 1/2007 Mamizuka D14/151
D537,065 S * 2/2007 Chen D14/151
D551,203 S * 9/2007 Abe D14/151
D552,071 S * 10/2007 Park D14/151
D555,143 S * 11/2007 Chou D14/151
D556,180 S * 11/2007 Udagawa D14/149
D556,181 S * 11/2007 Liu D14/151
D558,180 S * 12/2007 Daly D14/151
D558,727 S * 1/2008 Daly D14/149
D558,729 S * 1/2008 Daly D14/151
D565,020 S * 3/2008 Daly D14/149
D576,998 S * 9/2008 Furuno D14/151
D581,897 S * 12/2008 Katori D14/151
D582,886 S * 12/2008 Woo D14/151
D585,397 S * 1/2009 Hwang D14/149
D604,258 S * 11/2009 Rinaldi D14/159
D608,759 S * 1/2010 Chun D14/151
D611,031 S * 3/2010 Lesniak D14/151
D613,724 S 4/2010 Kao et al.
D615,066 S * 5/2010 Huang D14/142
D620,464 S * 7/2010 Quiros D14/130
D620,472 S * 7/2010 Robinson D14/149
D629,381 S * 12/2010 Verthein D14/257
D636,769 S * 4/2011 Wood D14/341
D653,646 S * 2/2012 Hovdal D14/142
D654,074 S * 2/2012 Wood D14/341
D657,772 S 4/2012 Shadvitz et al.
D657,773 S * 4/2012 Corsini D14/151
D658,616 S * 5/2012 Van Der Flier D14/130
D658,627 S * 5/2012 Katori D14/142
D668,901 S * 10/2012 Jones D6/575
D675,592 S * 2/2013 Fuxen D14/151
D686,184 S * 7/2013 Takahata D14/151
D723,502 S * 3/2015 Chun D14/142
D725,623 S * 3/2015 Hartmann D14/140
D738,845 S * 9/2015 Kwak D14/151
D744,464 S * 12/2015 Snyder D14/240
D753,624 S * 4/2016 Ji D14/151
D757,677 S * 5/2016 Hutt D14/151
D763,219 S * 8/2016 Engelke D14/151
D767,527 S * 9/2016 Hillenmayer D14/140.8
D776,655 S * 1/2017 Chen D14/240
D783,569 S * 4/2017 Kwak D14/151
D784,283 S * 4/2017 Snyder D14/144
D788,737 S * 6/2017 Takei D14/151
D835,060 S * 12/2018 Peng D14/151
D835,599 S * 12/2018 Peng D14/151
D848,391 S * 5/2019 Li D14/151
D851,617 S * 6/2019 Rodriguez D14/151
D853,981 S 7/2019 Nakano et al.
D896,199 S 9/2020 Rodriguez et al.
10,924,598 B1 * 2/2021 Rodriguez H04M 1/11
D932,454 S * 10/2021 Darias D14/140
D934,832 S * 11/2021 Su D14/151
D934,833 S * 11/2021 Su D14/151
D934,834 S * 11/2021 Su D14/151
D934,835 S * 11/2021 Su D14/151
2008/0240416 A1 * 10/2008 Abramson H04M 1/2477
379/428.03
2011/0216898 A1 * 9/2011 Huang H04M 1/00
379/428.02
2022/0303378 A1 9/2022 Janour et al.

* cited by examiner



FIG. 1

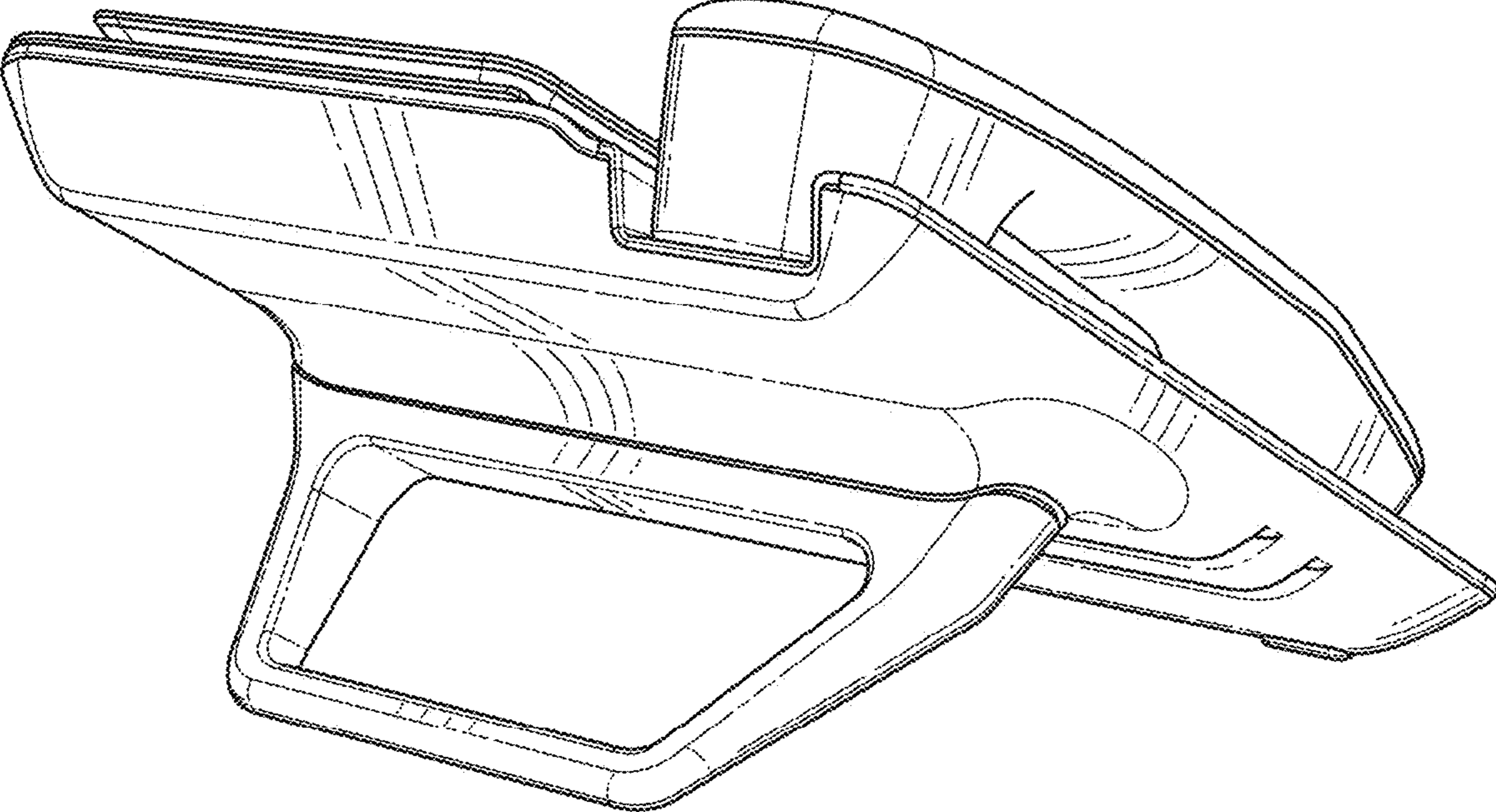


FIG. 2

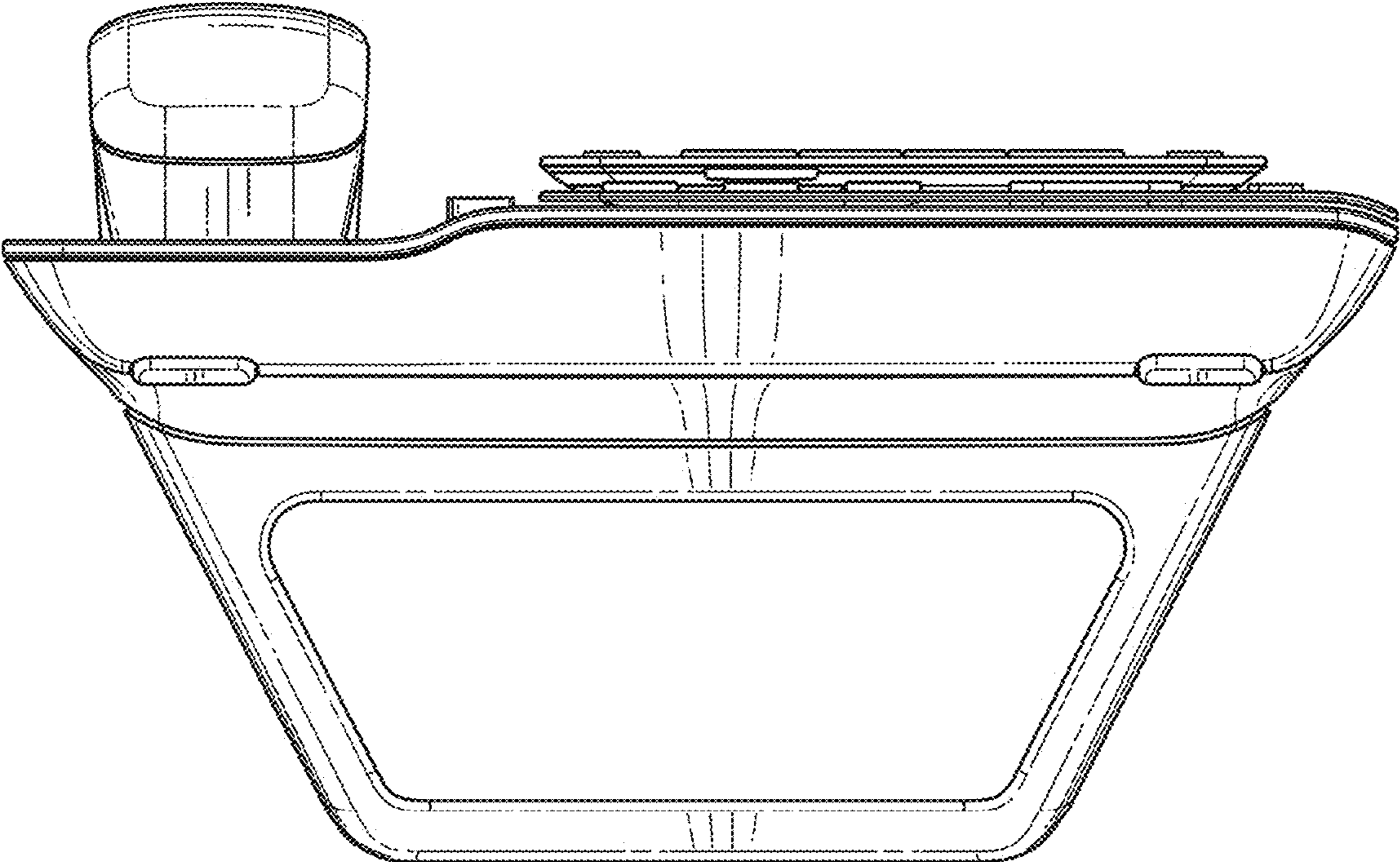


FIG. 3

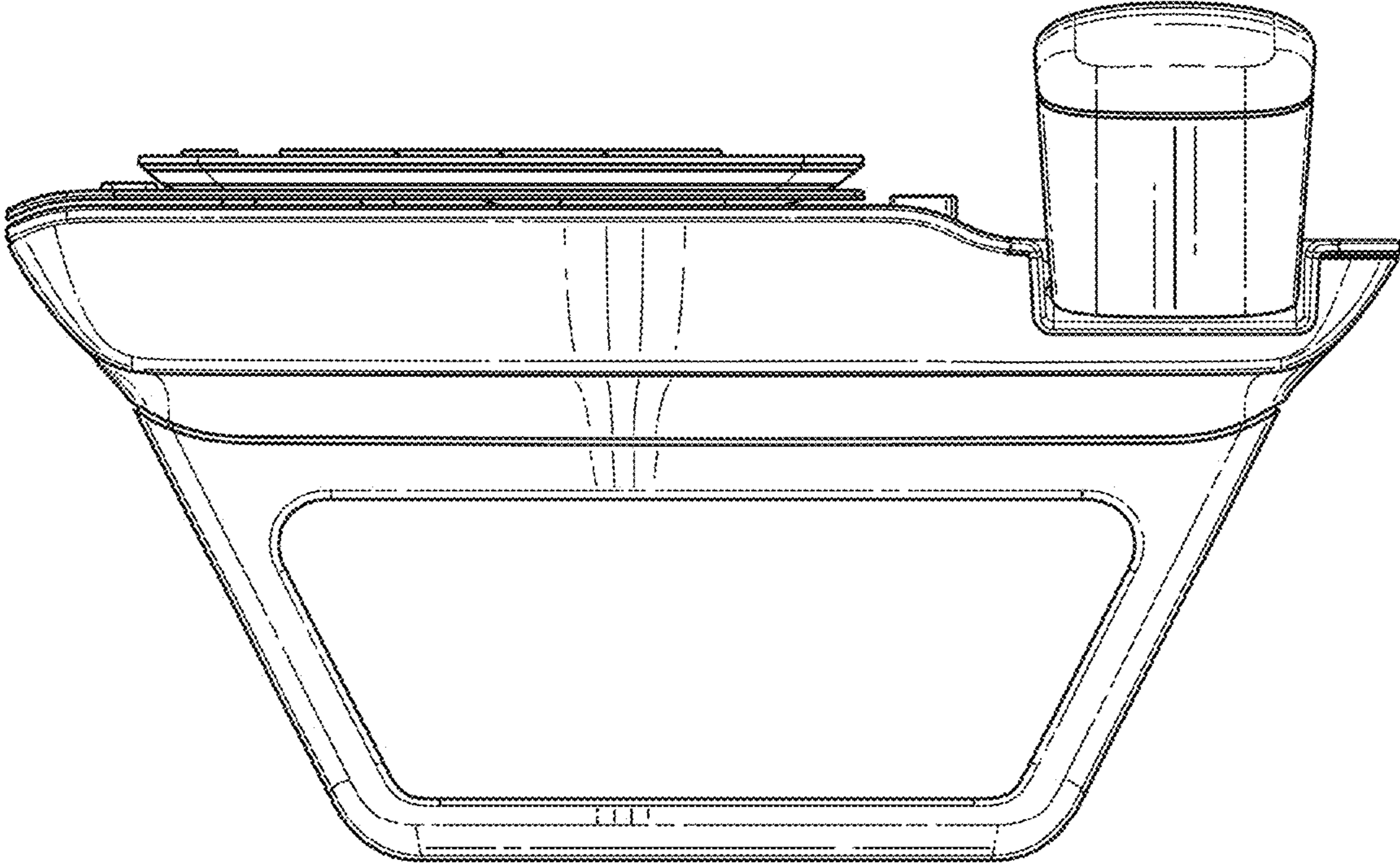


FIG. 4

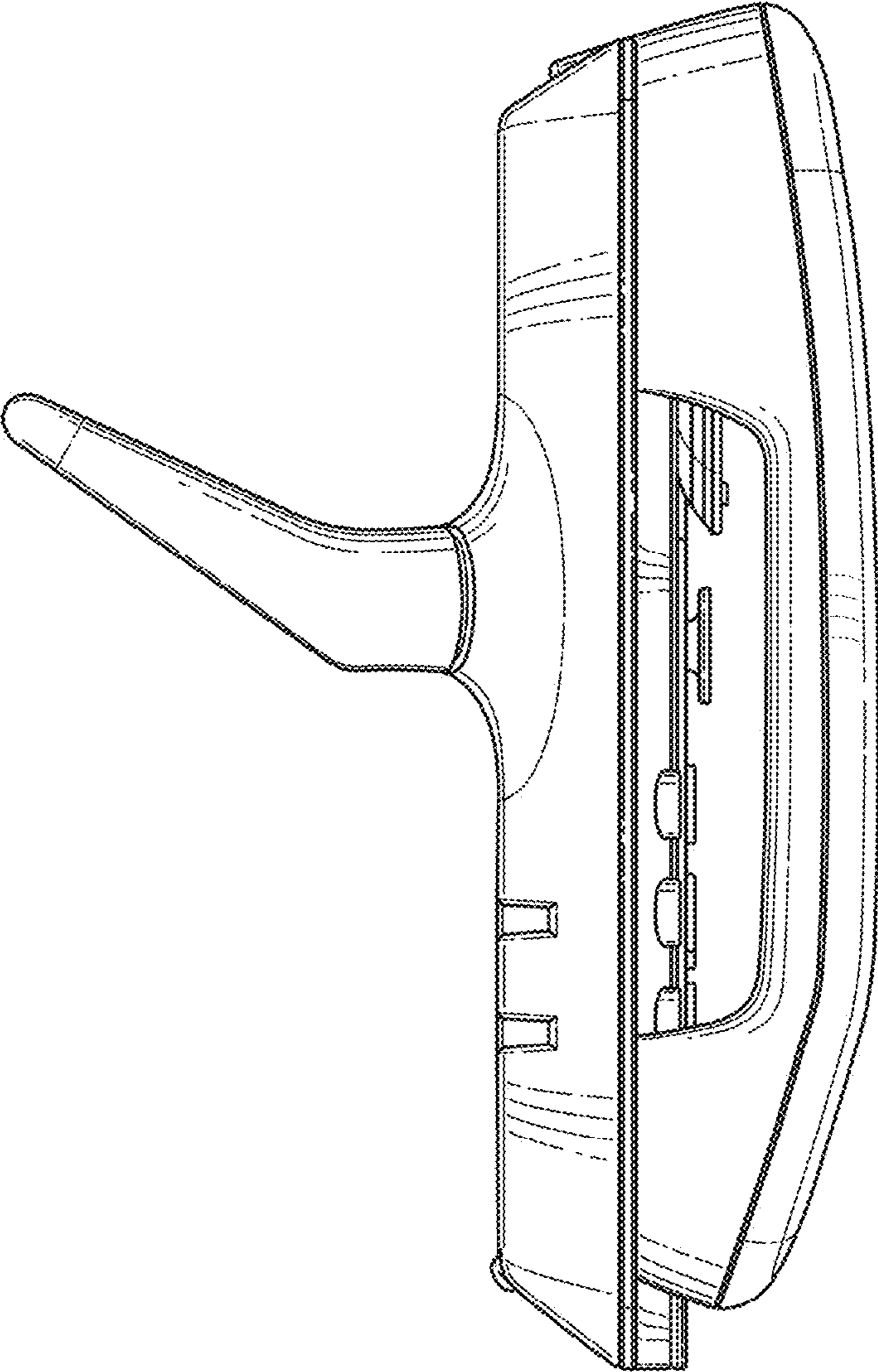


FIG. 5

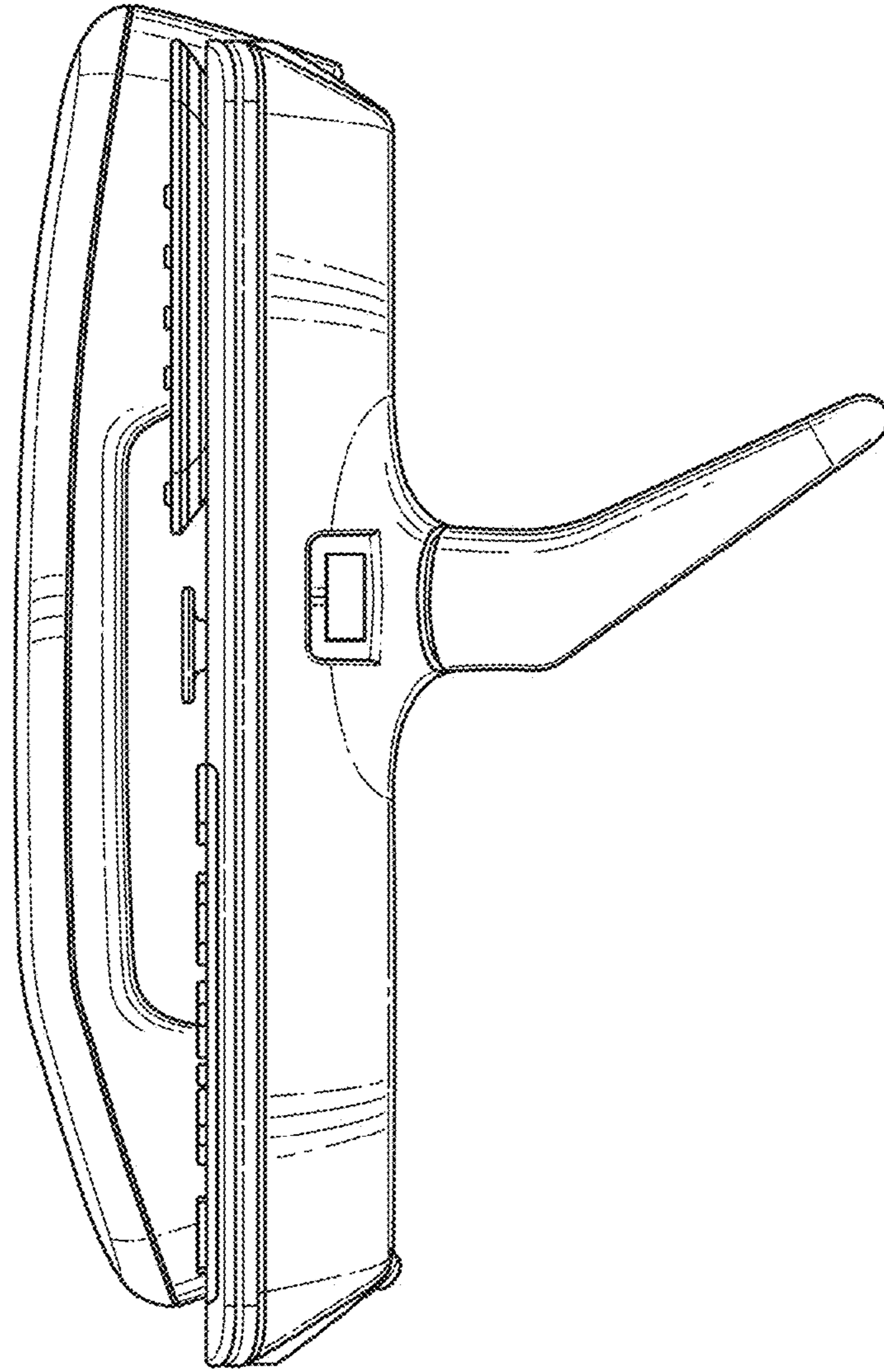


FIG. 6

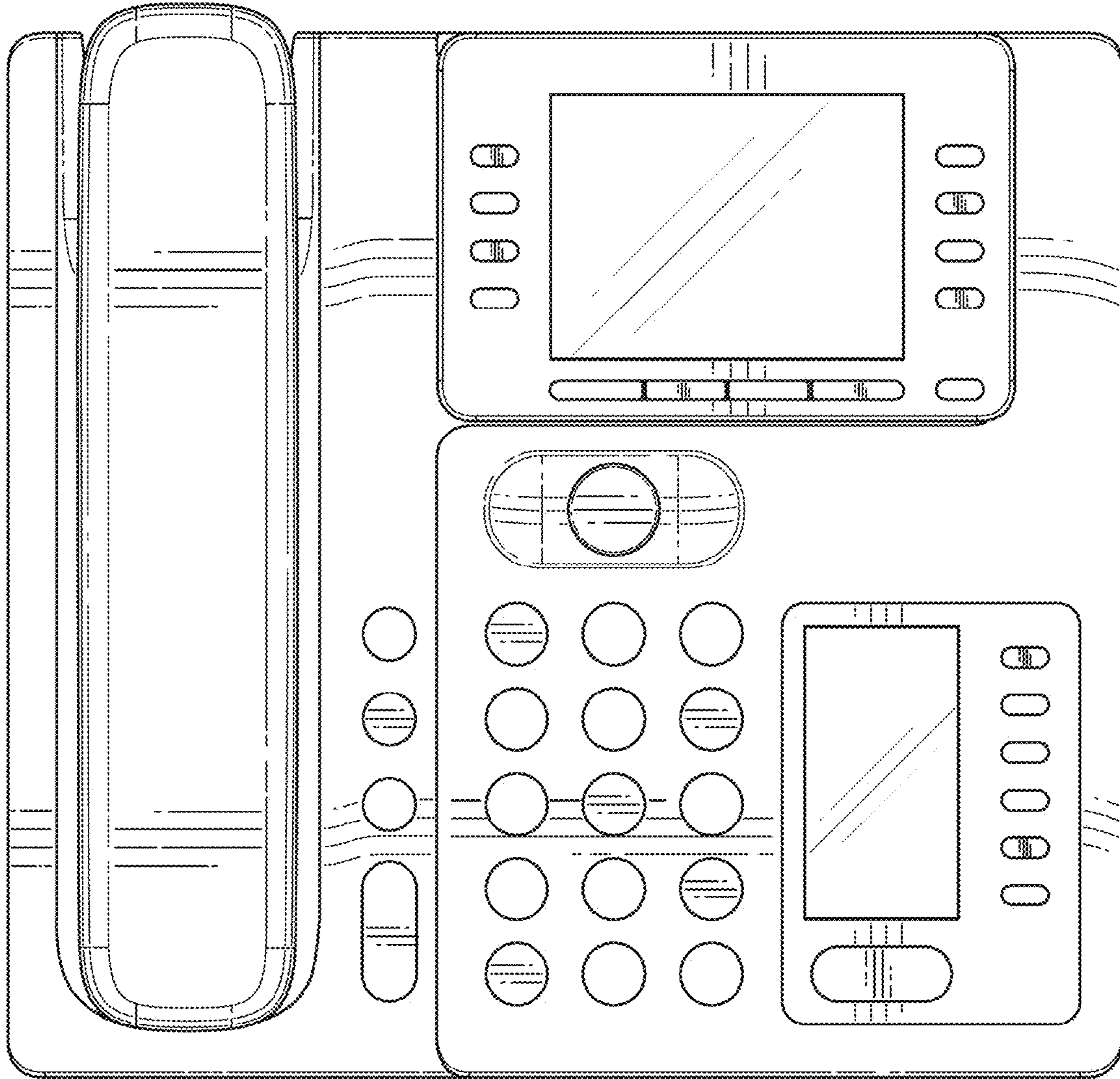


FIG. 7

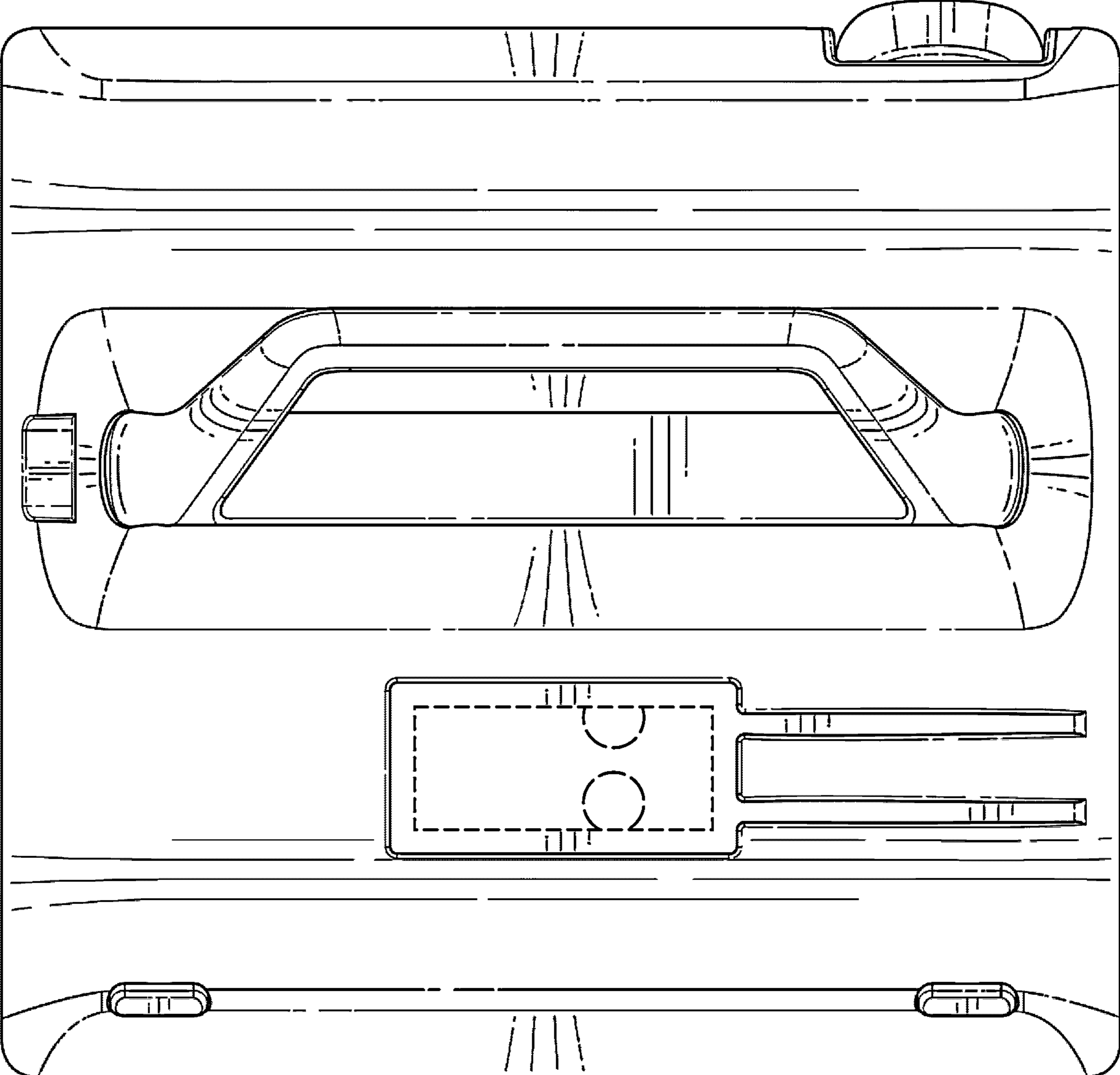


FIG. 8

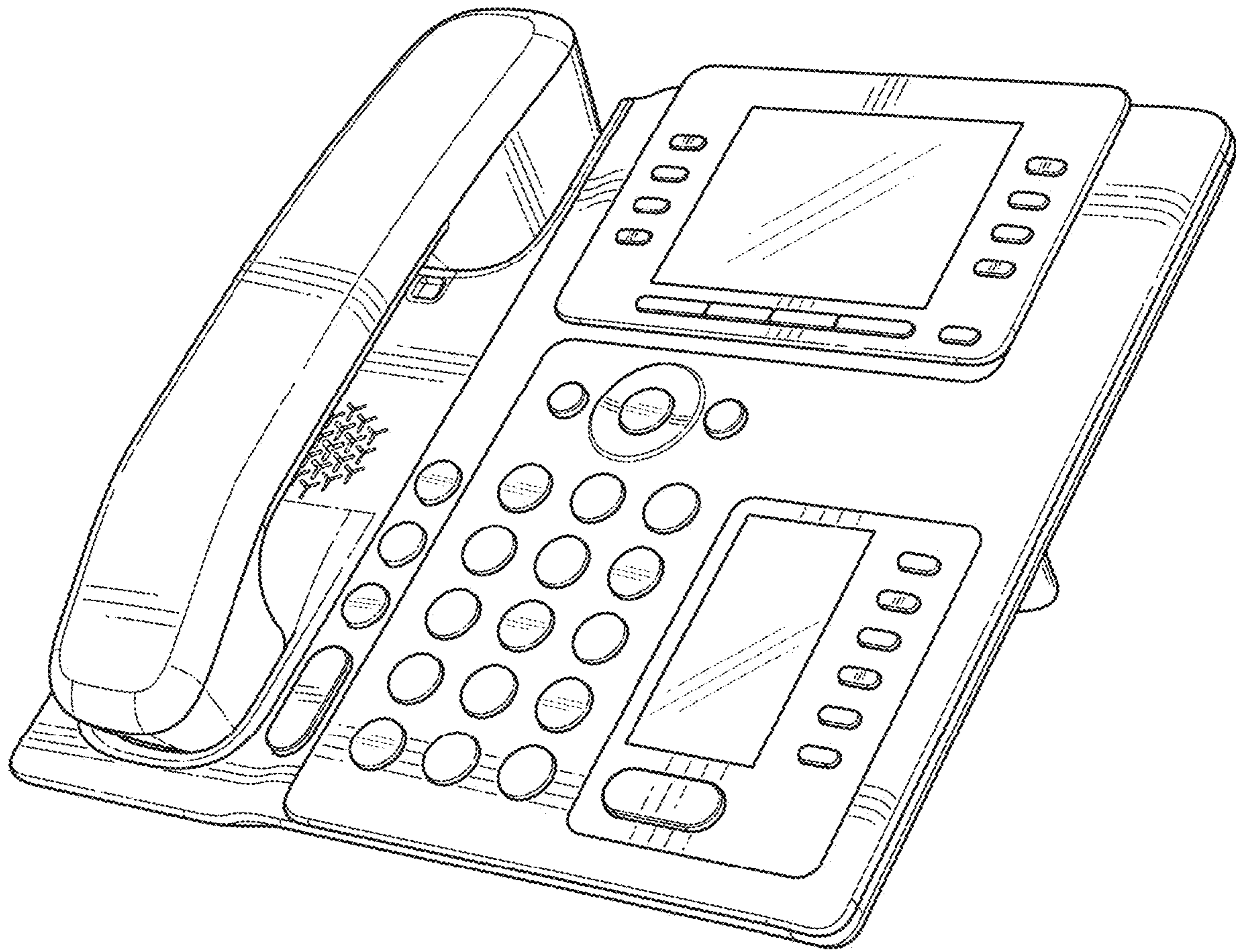


FIG. 9

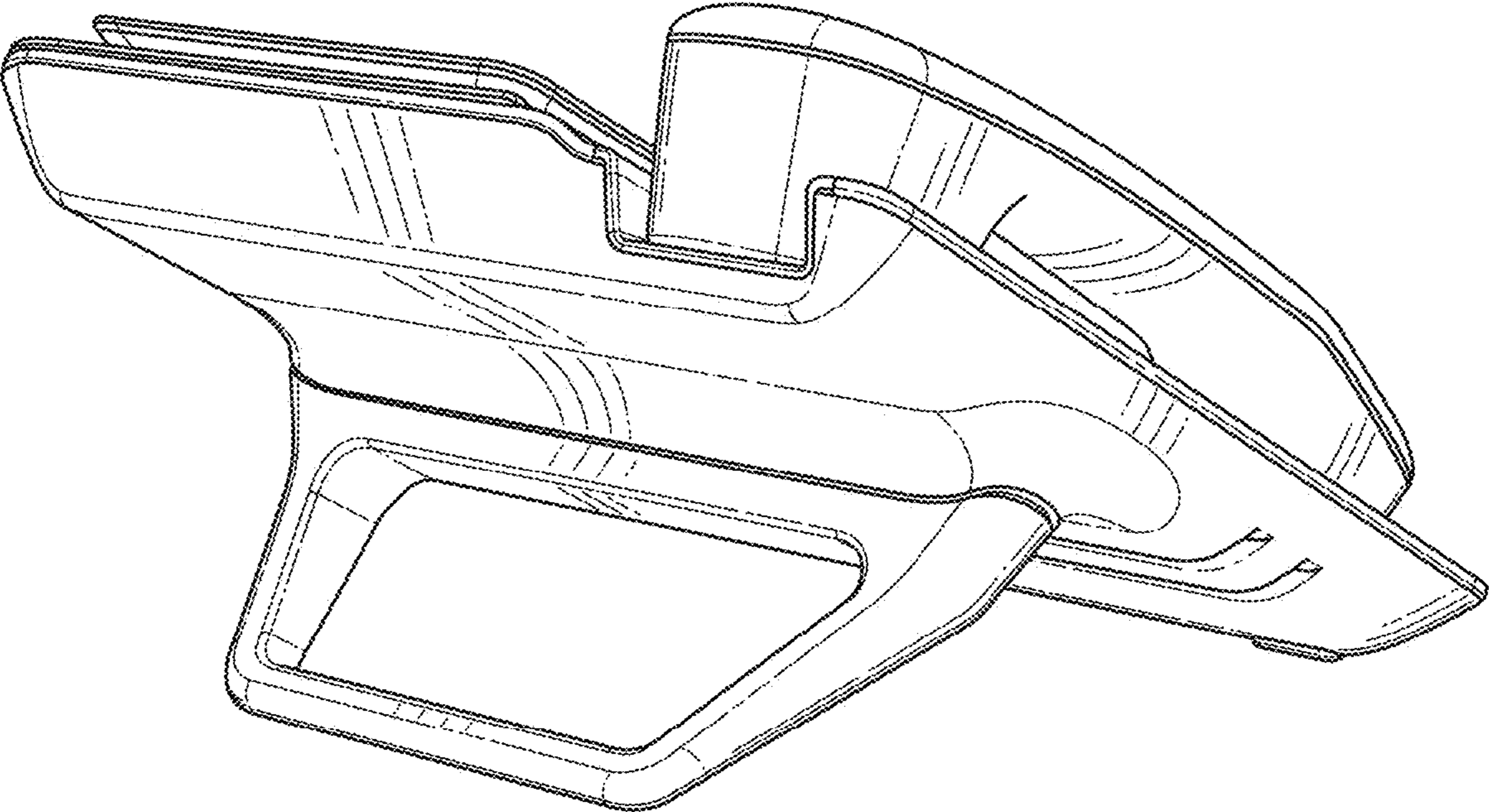


FIG. 10

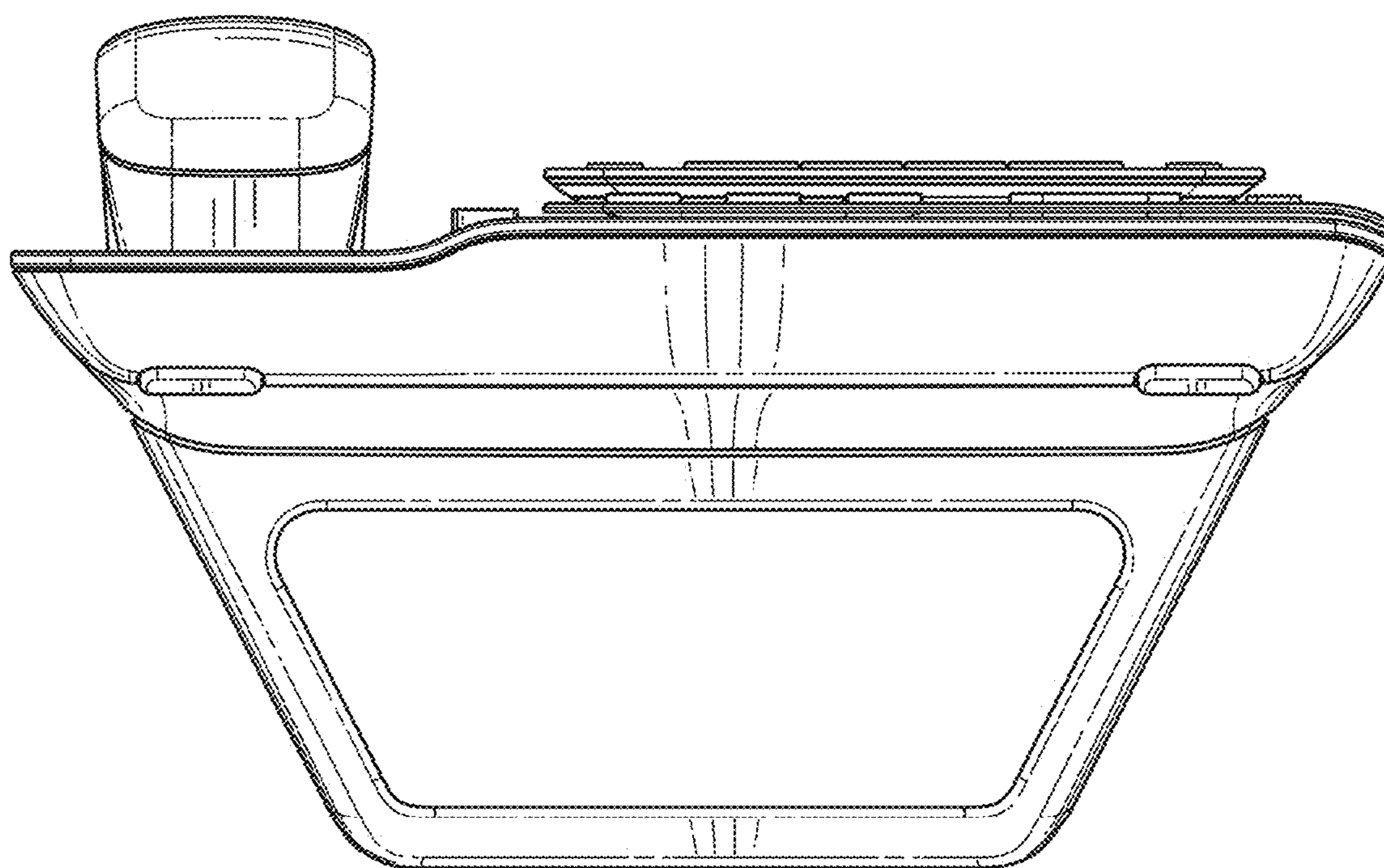


FIG. 11

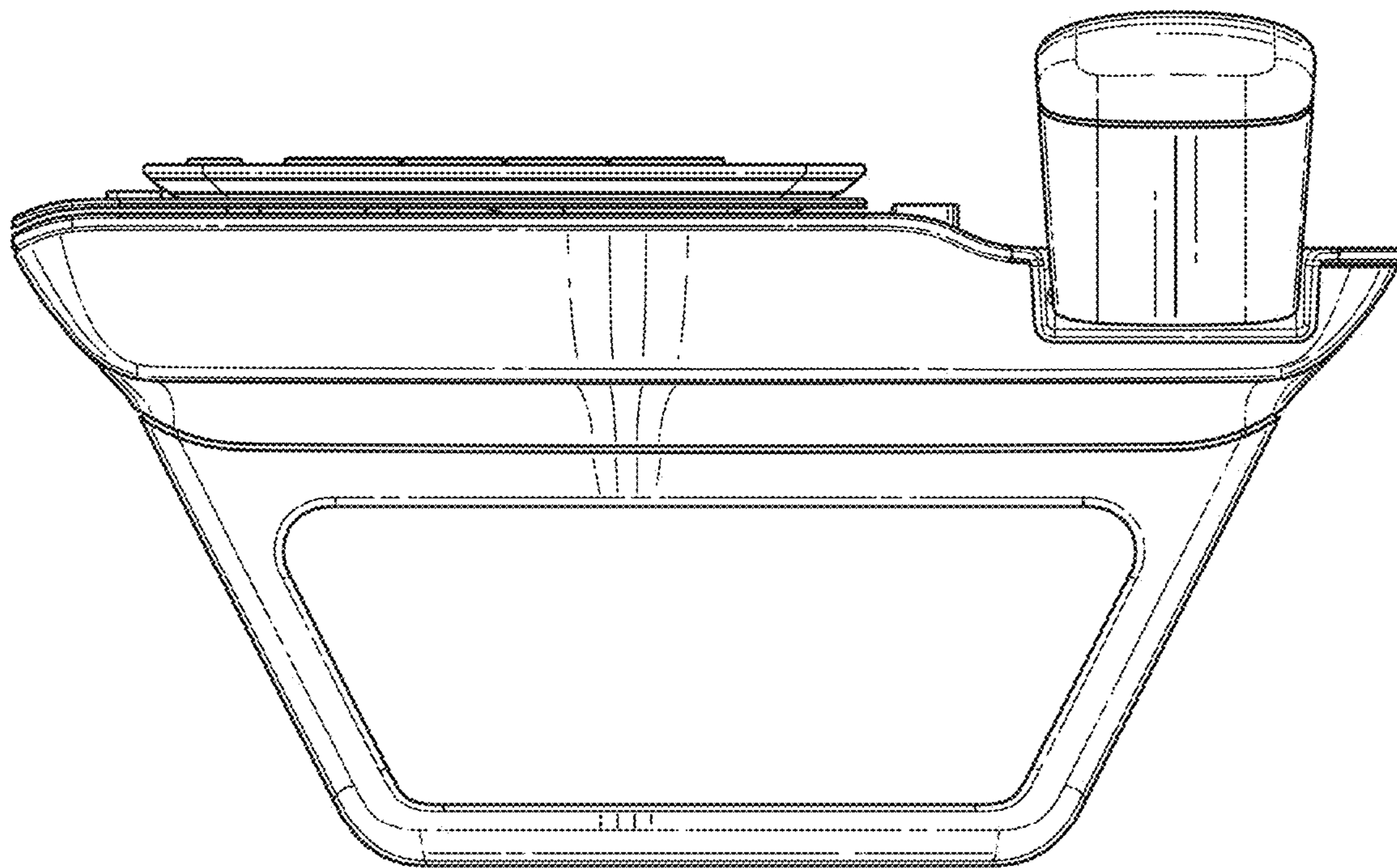


FIG. 12

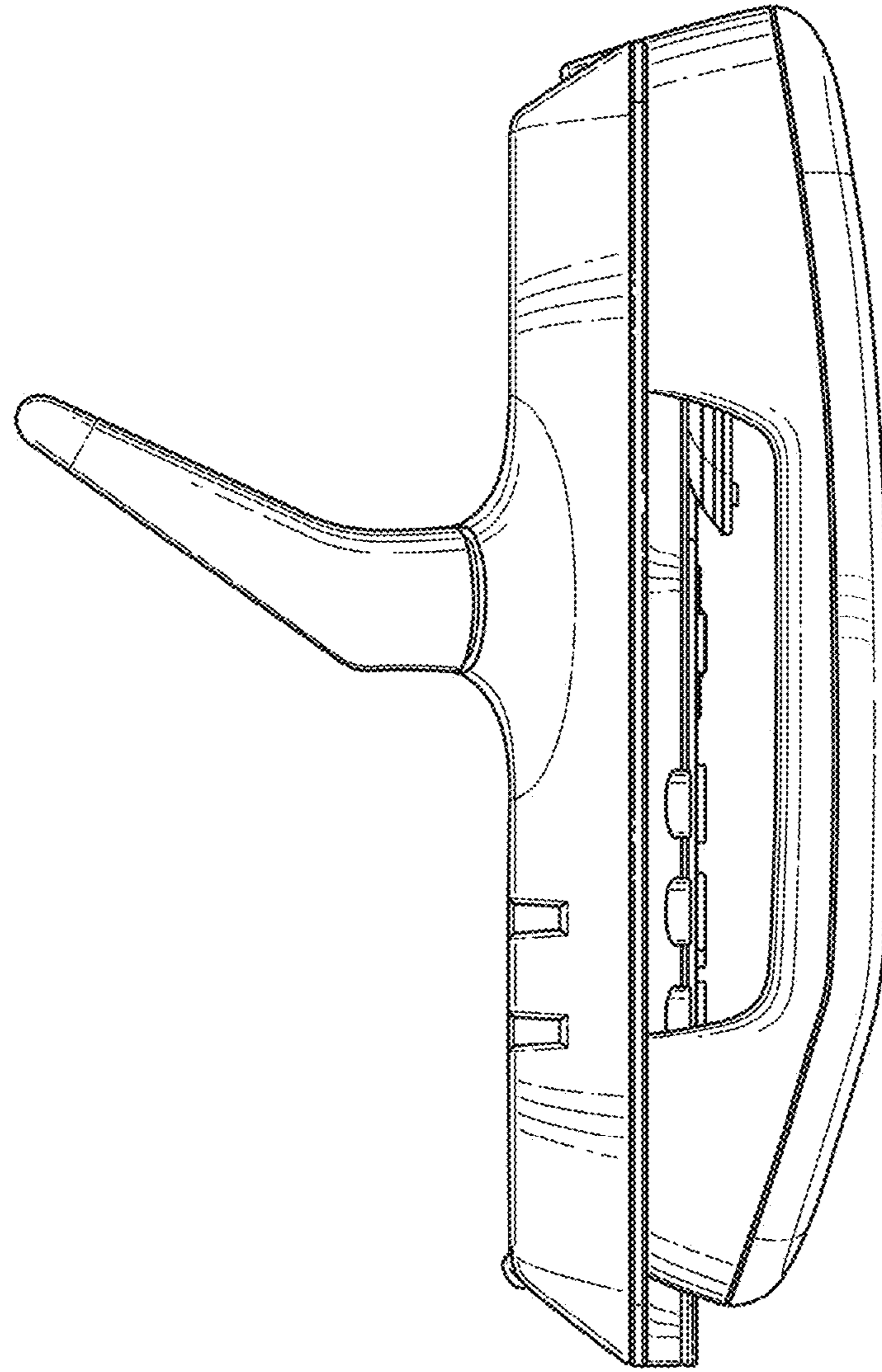


FIG. 13

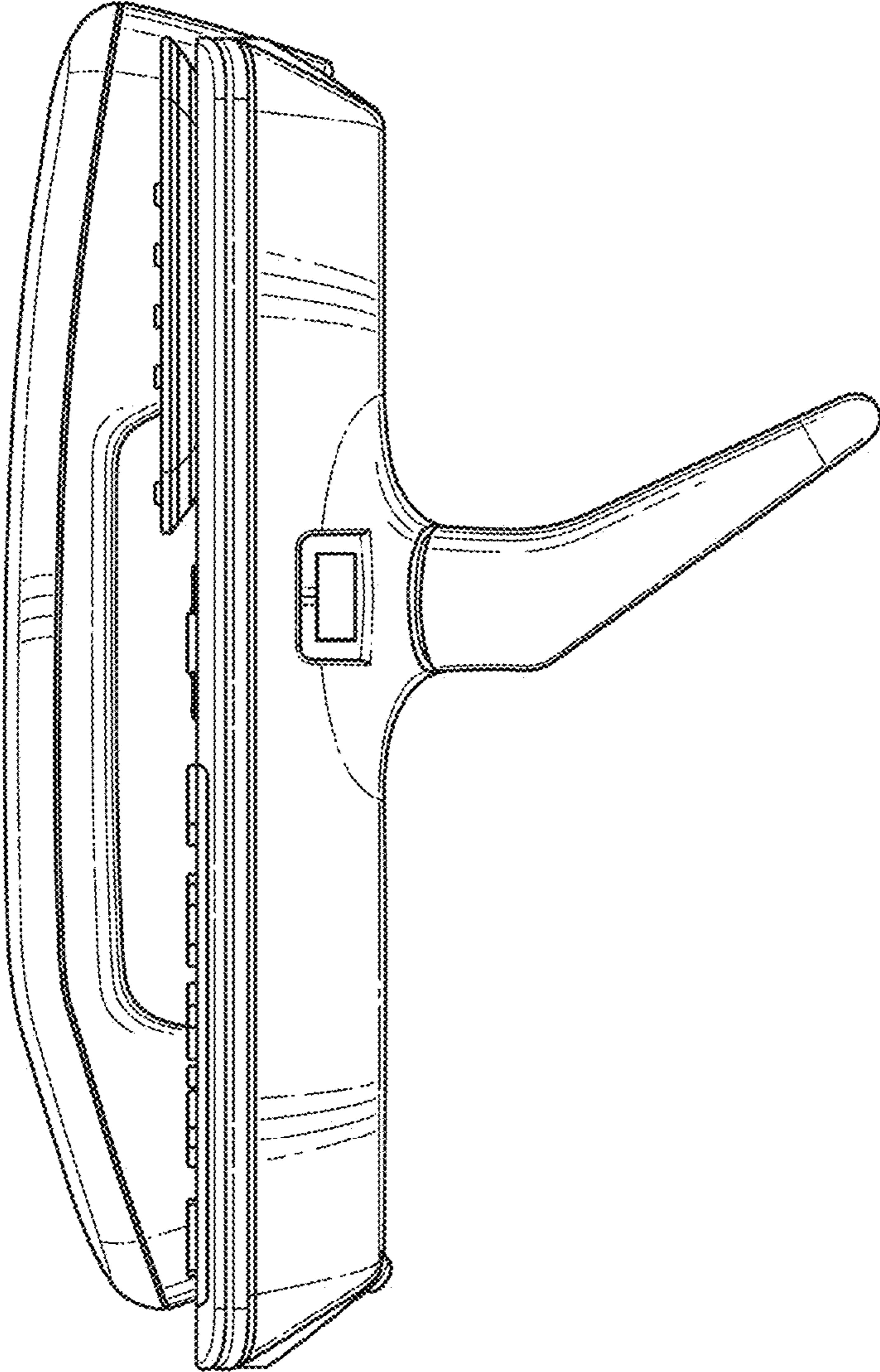


FIG. 14

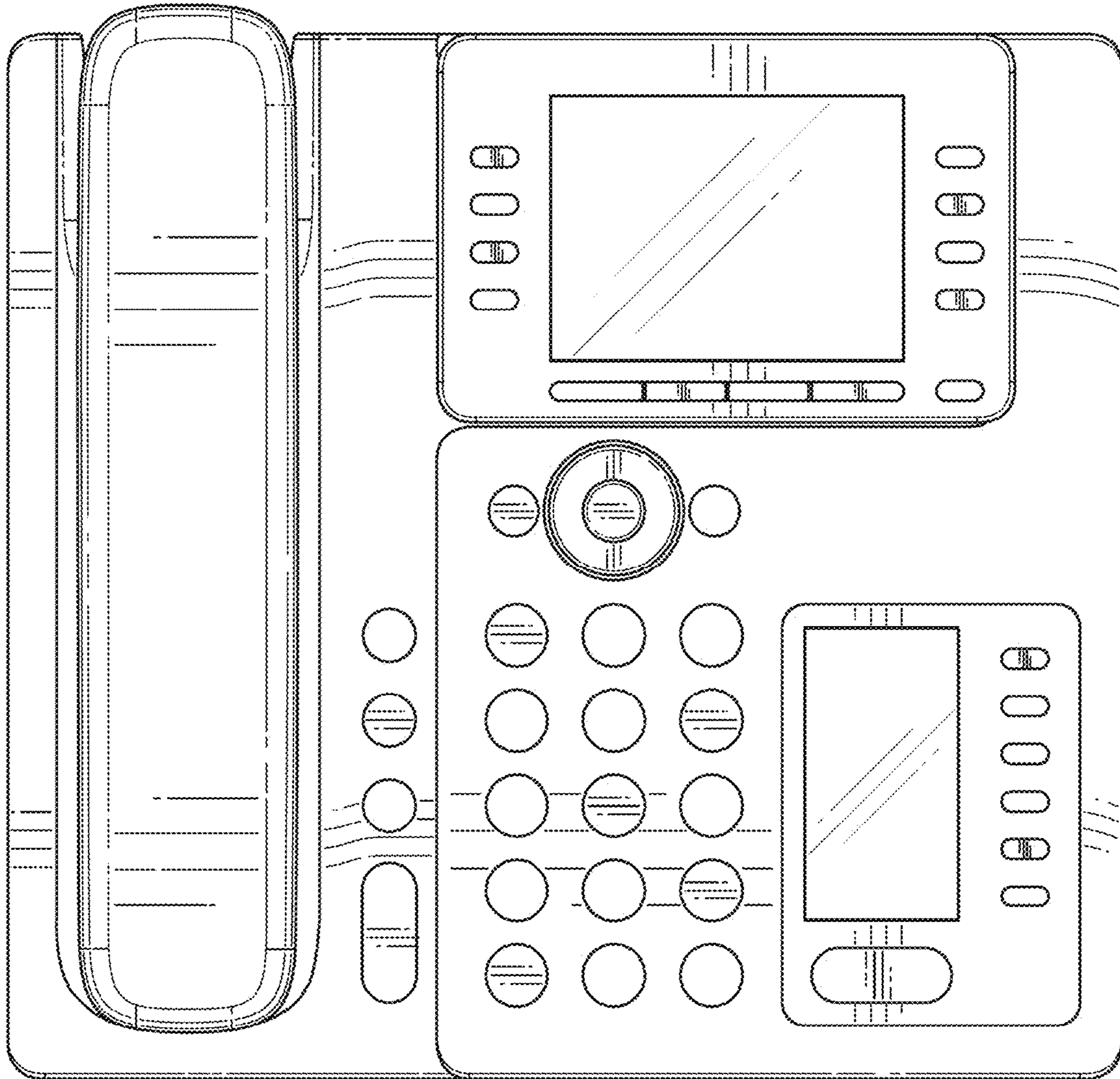


FIG. 15

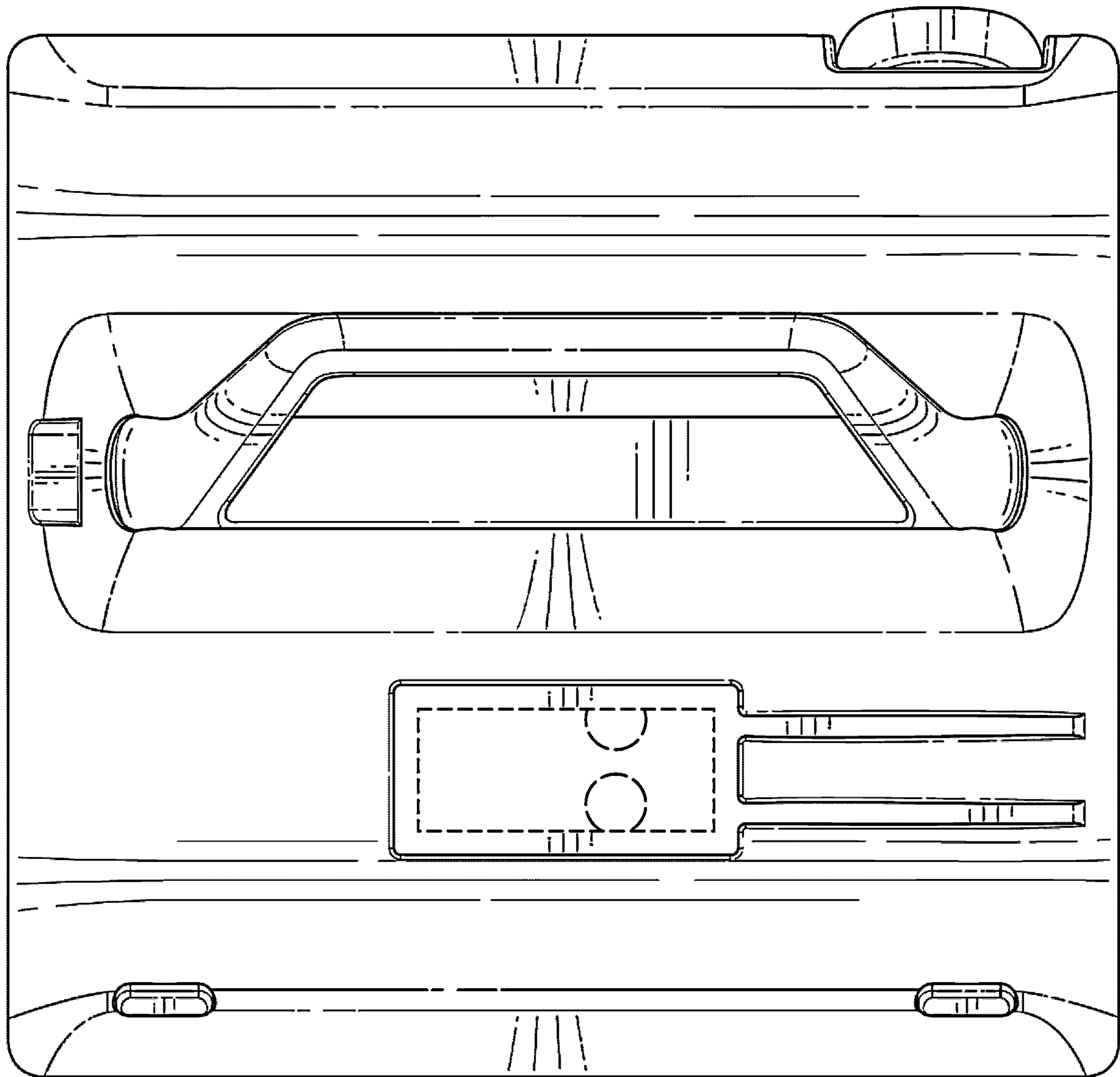


FIG. 16